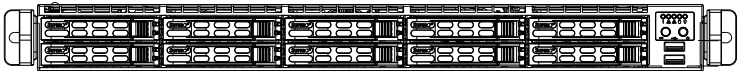




SC116

CHASSIS SERIES



SC116AC2-R706WB

SC116TQ-R706WB

SC116AC-R700WB

SC116TQ-R700CB

SC116TQ-R700UB

SC116TQ-R700WB

USER'S MANUAL

1.0c

The information in this User's Manual has been carefully reviewed and is believed to be accurate. The vendor assumes no responsibility for any inaccuracies that may be contained in this document, makes no commitment to update or to keep current the information in this manual, or to notify any person or organization of the updates. **Please Note: For the most up-to-date version of this manual, please see our web site at www.supermicro.com.**

Super Micro Computer, Inc. ("Supermicro") reserves the right to make changes to the product described in this manual at any time and without notice. This product, including software and documentation, is the property of Supermicro and/or its licensors, and is supplied only under a license. Any use or reproduction of this product is not allowed, except as expressly permitted by the terms of said license.

IN NO EVENT WILL SUPERMICRO BE LIABLE FOR DIRECT, INDIRECT, SPECIAL, INCIDENTAL, SPECULATIVE OR CONSEQUENTIAL DAMAGES ARISING FROM THE USE OR INABILITY TO USE THIS PRODUCT OR DOCUMENTATION, EVEN IF ADVISED OF THE POSSIBILITY OF SUCH DAMAGES. IN PARTICULAR, SUPERMICRO SHALL NOT HAVE LIABILITY FOR ANY HARDWARE, SOFTWARE, OR DATA STORED OR USED WITH THE PRODUCT, INCLUDING THE COSTS OF REPAIRING, REPLACING, INTEGRATING, INSTALLING OR RECOVERING SUCH HARDWARE, SOFTWARE, OR DATA.

Any disputes arising between manufacturer and customer shall be governed by the laws of Santa Clara County in the State of California, USA. The State of California, County of Santa Clara shall be the exclusive venue for the resolution of any such disputes. Super Micro's total liability for all claims will not exceed the price paid for the hardware product.

California Best Management Practices Regulations for Perchlorate Materials: This Perchlorate warning applies only to products containing CR (Manganese Dioxide) Lithium coin cells. "Perchlorate Material-special handling may apply. See www.dtsc.ca.gov/hazardouswaste/perchlorate"

WARNING: Handling of lead solder materials used in this product may expose you to lead, a chemical known to the State of California to cause birth defects and other reproductive harm.

Manual Revision 1.0c
Release Date: May 20, 2015

Unless you request and receive written permission from Super Micro Computer, Inc., you may not copy any part of this document.

Information in this document is subject to change without notice. Other products and companies referred to herein are trademarks or registered trademarks of their respective companies or mark holders.

Copyright © 2013 by Super Micro Computer, Inc.
All rights reserved.

Printed in the United States of America

Preface

About This Manual

This manual is written for professional system integrators and PC technicians. It provides information for the installation and use of the SC116 1U chassis. Installation and maintenance should be performed by experienced technicians only.

Supernano's SC116 1U chassis is optimized for high-end, high-performance applications. It is an efficient 1U rackmount design optimized for best price/performance. It includes ten hot-swappable 2.5" SAS/SATA hard drive bays protected with the SES-II safety feature, with optimized cooling for all configurations. Bulk package and quick release slide rails are also available for HPC and datacenter use.

This manual lists compatible parts available when this document was published. Always refer to the our web site for updates on supported parts and configurations.

Manual Organization

Chapter 1 Introduction

The first chapter provides a checklist of the main components included with this chassis and describes the main features of the SC116 chassis. This chapter also includes contact information.

Chapter 2 Standardized Warning Statements for AC/DC Systems

This chapter lists warnings, precautions, and system safety. You should thoroughly familiarize yourself with this chapter for a general overview of safety precautions that should be followed before installing and servicing this chassis.

Chapter 3 Chassis Components

Refer here for details on this chassis model including the fans, bays, airflow shields, and other components.

Chapter 4 System Interface

This chapter provides details on the system interface, which includes the functions and information of the control panel LEDs and other LEDs located throughout the system.

Chapter 5 Chassis Setup and Maintenance

Refer to this chapter for detailed information on this chassis. You should follow the procedures given in this chapter when installing, removing, or reconfiguring your chassis.

Chapter 6 Rack Installation

This chapter covers detailed information on chassis rack installation. You should follow the procedures given in this chapter when installing, removing or reconfiguring your chassis into a rack environment.

Appendices

These appendices list compatible cables, power supply specifications, and compatible backplanes. Not all compatible backplanes are listed. Refer to our web site for the latest compatible backplane information at <http://www.supermicro.com>.

Appendix A Chassis Cables

Appendix B Power Supply Specifications

Appendix C SAS-116TQ Backplane Specifications

Appendix D BPN-SAS3-116A Backplane Specifications

Appendix E BPN-SAS3-116A-N2

Table of Contents

Preface

About This Manual	iii
-------------------------	-----

Chapter 1 Introduction

1-1 Overview	1-1
1-2 Shipping List.....	1-1
1-3 Chassis Features	1-2
Hard Drives	1-2
PCI Slots	1-2
1-4 Contacting Supermicro.....	1-3
1-5 Returning Merchandise for Service.....	1-4

Chapter 2 Standardized Warning Statements for DC Systems

2-1 About Standardized Warning Statements.....	2-1
Warning Definition	2-1
Installation Instructions.....	2-4
Circuit Breaker	2-5
Power Disconnection Warning	2-6
Equipment Installation.....	2-8
Restricted Area.....	2-9
Battery Handling.....	2-10
Redundant Power Supplies	2-12
Backplane Voltage	2-13
Comply with Local and National Electrical Codes	2-14
Product Disposal	2-15
Hot Swap Fan Warning.....	2-16
DC Power Supply	2-18
DC Power Disconnection	2-20
Hazardous Voltage or Energy Present on DC Power Terminals	2-21

Chapter 3 Chassis Components

3-1 Overview	3-1
3-2 Components.....	3-1
Chassis.....	3-1
Backplane.....	3-1
Fans	3-1
Mounting Rails	3-1

Power Supply	3-2
Air Shroud	3-2
3-3 Where to get Replacement Components	3-2

Chapter 4 System Interface

4-1 Overview	4-1
4-2 Control Panel Buttons	4-2
4-3 Control Panel LEDs	4-3
4-4 Drive Carriers	4-4
Drive Carrier LEDs	4-4
4-5 Power Supply LEDs	4-5

Chapter 5 Chassis Setup and Maintenance

5-1 Overview	5-1
5-2 Installation and Maintenance Procedures	5-1
Installation	5-1
General Maintenance	5-1
5-3 Removing the Chassis Cover	5-2
5-4 Installing and Removing Hard Drives	5-3
5-5 Removing the Backplane	5-5
5-6 Backplane Installation	5-6
5-7 Installing the Motherboard	5-7
Permanent and Optional Standoffs	5-7
Motherboard Installation	5-8
Expansion Card Setup	5-9
5-8 Installing the Air Shroud	5-12
Checking the Airflow	5-13
5-9 System Fans	5-14
5-10 Power Supply	5-16
Power Supply Failure	5-16

Chapter 6 Rack Installation

6-1 Overview	6-1
6-2 Unpacking the System	6-1
6-3 Preparing for Setup	6-1
Choosing a Setup Location	6-1
Rack Precautions	6-2
General Server Precautions	6-2
Rack Mounting Considerations	6-3
Ambient Operating Temperature	6-3
Reduced Airflow	6-3
Mechanical Loading	6-3

	Circuit Overloading.....	6-3
	Reliable Ground	6-3
6-4	Rack Mounting Instructions.....	6-4
	Identifying the Sections of the Rack Rails.....	6-4
	Inner Rail Extension (Optional).....	6-5
	Outer Rails	6-6
	Installing the Chassis into a Telco rack	6-9

Appendix A SC116 Chassis Cables

Appendix B SC116 Power Supply Specifications

Appendix C BPN-SAS-116TQ Backplane Specifications

Appendix D BPN-SAS3-116A Backplane Specifications

Appendix E BPN-SAS3-116A-N2 Backplane Specifications

Notes

Chapter 1

Introduction

1-1 Overview

Supermicro's SC116 1U chassis features a unique and highly-optimized design. The chassis is equipped with high-efficiency power supply. High-performance fans provide ample optimized cooling for the dual processor modules and ten hot-swappable drive bays offer maximum storage capacity in a 1U form factor. Only enterprise level hard drives are recommended for use in the SC116 chassis.

1-2 Shipping List

Please visit the following link for the latest shipping lists and part numbers for your particular chassis model at www.supermicro.com

SC116 Chassis			
Model	HDD	PCI Slots	Power Supply
SC116AC2-R706WB	10x 2.5" Hot-swap SAS2/SATA	2x FF, 1x LP	750W Redundant (Platinum Level)
SC116TQ-R706WB	10x 2.5" Hot-swap SAS2/SATA	2x FF, 1x LP	750W Redundant (Platinum Level)
SC116AC-R700WB	10x 2.5" Hot-swap SAS2/SATA	2x FF, 1x LP	750W Redundant (Platinum Level)
SC116TQ-R700CB	10x 2.5" Hot-swap SAS2/SATA	1x FF	700W Redundant (Gold Level)
SC116TQ-R700WB	10x 2.5" Hot-swap SAS2/SATA	FH WIO: 2x FH, 1x LP	700W Redundant (Gold Level)
SC116AC-R700WB	10x 2.5" Hot-swap SAS3/SATA	2x FH, 1x LP	700W/750W Redundant (Gold Level)
SC116TQ-R700UB	10x 2.5" Hot-swap SAS2/SATA	2x FH, 1x LP	700W Redundant (Gold Level)

Legend: FF: Full-height, full-length, FH: Full-height card, LP: Low-profile card

1-3 Chassis Features

The SC116 1U high-performance chassis includes the following features:

Hard Drives

The SC116 chassis features ten hard drive bays for 2.5" hot-swappable SAS2/SATA drives. SC116AC-R700WB models feature SAS3/SATA drives. Once setup correctly, these drives can be removed without powering down the server.

PCI Slots

The SC116 chassis includes PCI slots for expansion cards. See the chart on the previous page for your specific chassis model.

Other Features

Other on-board features are included to promote system health. These include four cooling fans with spaces for an optional fifth and sixth fan, a convenient power switch, a reset button, and LED indicators.

1-4 Contacting Supermicro

Headquarters

Address: Super Micro Computer, Inc.
980 Rock Ave.
San Jose, CA 95131 U.S.A.

Tel: +1 (408) 503-8000

Fax: +1 (408) 503-8008

Email: marketing@supermicro.com (General Information)
support@supermicro.com (Technical Support)

Website: www.supermicro.com

Europe

Address: Super Micro Computer B.V.
Het Sterrenbeeld 28, 5215 ML
's-Hertogenbosch, The Netherlands

Tel: +31 (0) 73-6400390

Fax: +31 (0) 73-6416525

Email: sales@supermicro.nl (General Information)
support@supermicro.nl (Technical Support)
rma@supermicro.nl (Customer Support)

Website: www.supermicro.nl

Asia-Pacific

Address: Super Micro Computer, Inc.
3F, No. 150, Jian 1st Rd.
Zhonghe Dist., New Taipei City 235
Taiwan (R.O.C)

Tel: +886-(2) 8226-3990

Fax: +886-(2) 8226-3992

Email: support@supermicro.com.tw

Website: www.supermicro.com.tw

1-5 Returning Merchandise for Service

A receipt or copy of your invoice marked with the date of purchase is required before any warranty service will be rendered. You can obtain service by calling your vendor for a Returned Merchandise Authorization (RMA) number. When returning to the manufacturer, the RMA number should be prominently displayed on the outside of the shipping carton, and mailed prepaid or hand-carried. Shipping and handling charges will be applied for all orders that must be mailed when service is complete.

For faster service, RMA authorizations may be requested online (<http://www.supermicro.com/support/rma/>).

Whenever possible, repack the chassis in the original Supermicro carton, using the original packaging material. If these are no longer available, be sure to pack the chassis securely, using packaging material to surround the chassis so that it does not shift within the carton and become damaged during shipping.

This warranty only covers normal consumer use and does not cover damages incurred in shipping or from failure due to the alteration, misuse, abuse or improper maintenance of products.

During the warranty period, contact your distributor first for any product problems.

Chapter 2

Standardized Warning Statements for DC Systems

2-1 About Standardized Warning Statements

The following statements are industry standard warnings, provided to warn the user of situations which have the potential for bodily injury. Should you have questions or experience difficulty, contact Supermicro's Technical Support department for assistance. Only certified technicians should attempt to install or configure components.

Read this appendix in its entirety before installing or configuring components in the Supermicro chassis.

These warnings may also be found on our web site at http://www.supermicro.com/about/policies/safety_information.cfm.

Warning Definition



Warning!

This warning symbol means danger. You are in a situation that could cause bodily injury. Before you work on any equipment, be aware of the hazards involved with electrical circuitry and be familiar with standard practices for preventing accidents.

警告の定義

この警告サインは危険を意味します。

人身事故につながる可能性がありますので、いずれの機器でも動作させる前に、電気回路に含まれる危険性に注意して、標準的な事故防止策に精通して下さい。

此警告符号代表危險。

您正处于可能受到严重伤害的工作环境中。在您使用设备开始工作之前，必须充分意识到触电的危险，并熟练掌握防止事故发生的标准工作程序。请根据每项警告结尾的声明号码找到此设备的安全性警告说明的翻译文本。

此警告符號代表危險。

您正處於可能身體可能會受損傷的工作環境中。在您使用任何設備之前，請注意觸電的危險，並且要熟悉預防事故發生的標準工作程序。請依照每一注意事項後的號碼找到相關的翻譯說明內容。

Warnung

WICHTIGE SICHERHEITSHINWEISE

Dieses Warnsymbol bedeutet Gefahr. Sie befinden sich in einer Situation, die zu Verletzungen führen kann. Machen Sie sich vor der Arbeit mit Geräten mit den Gefahren elektrischer Schaltungen und den üblichen Verfahren zur Vorbeugung vor Unfällen vertraut. Suchen Sie mit der am Ende jeder Warnung angegebenen Anweisungsnummer nach der jeweiligen Übersetzung in den übersetzten Sicherheitshinweisen, die zusammen mit diesem Gerät ausgeliefert wurden.

BEWAHREN SIE DIESE HINWEISE GUT AUF.

INSTRUCCIONES IMPORTANTES DE SEGURIDAD

Este símbolo de aviso indica peligro. Existe riesgo para su integridad física. Antes de manipular cualquier equipo, considere los riesgos de la corriente eléctrica y familiarícese con los procedimientos estándar de prevención de accidentes. Al final de cada advertencia encontrará el número que le ayudará a encontrar el texto traducido en el apartado de traducciones que acompaña a este dispositivo.

GUARDE ESTAS INSTRUCCIONES.

IMPORTANTES INFORMATIONS DE SÉCURITÉ

Ce symbole d'avertissement indique un danger. Vous vous trouvez dans une situation pouvant entraîner des blessures ou des dommages corporels. Avant de travailler sur un équipement, soyez conscient des dangers liés aux circuits électriques et familiarisez-vous avec les procédures couramment utilisées pour éviter les accidents. Pour prendre connaissance des traductions des avertissements figurant dans les consignes de sécurité traduites qui accompagnent cet appareil, référez-vous au numéro de l'instruction situé à la fin de chaque avertissement.

CONSERVEZ CES INFORMATIONS.

תקנת הצהרות אזהרה

הצהרות הבאות הן אזהרות על פי תקני התעשייה, על מנת להזהיר את המשתמש מפני חבלה פיזית אפשרית. במידה ויש שאלות או היתקלות בבעיה כלשהי, יש ליצור קשר עם מחלקת תמיכה טכנית של סופרמיקרו. טכנאים מוסמכים בלבד רשאים להתקין או להגדיר את הרכיבים.

יש לקרוא את הנספח במלוואו לפני התקנת או הגדרת הרכיבים במארוזי סופרמיקרו.

تحذير! هذا الرمز يعني خطر انك في حالة يمكن أن تتسبب في اصابة جسدية .
قبل أن تعمل على أي معدات، كن على علم بالمخاطر الناجمة عن الدوائر
الكهربائية
وكن على دراية بالممارسات الوقائية لمنع وقوع أي حوادث
استخدم رقم البيان المنصوص في نهاية كل تحذير للعثور ترجمتها

안전을 위한 주의사항

경고!

이 경고 기호는 위험이 있음을 알려 줍니다. 작업자의 신체에 부상을 야기 할 수 있는 상태에 있게 됩니다. 모든 장비에 대한 작업을 수행하기 전에 전기회로와 관련된 위험요소들을 확인하시고 사전에 사고를 방지할 수 있도록 표준 작업절차를 준수해 주시기 바랍니다.

해당 번역문을 찾기 위해 각 경고의 마지막 부분에 제공된 경고문 번호를 참조하십시오

BELANGRIJKE VEILIGHEIDSINSTRUCTIES

Dit waarschuwings symbool betekent gevaar. U verkeert in een situatie die lichamelijk letsel kan veroorzaken. Voordat u aan enige apparatuur gaat werken, dient u zich bewust te zijn van de bij een elektrische installatie betrokken risico's en dient u op de hoogte te zijn van de standaard procedures om ongelukken te voorkomen. Gebruik de nummers aan het eind van elke waarschuwing om deze te herleiden naar de desbetreffende locatie.

BEWAAR DEZE INSTRUCTIES

Installation Instructions



Warning!

Read the installation instructions before connecting the system to the power source.

設置手順書

システムを電源に接続する前に、設置手順書をお読み下さい。

警告

将此系统连接电源前，请先阅读安装说明。

警告

將系統與電源連接前，請先閱讀安裝說明。

Warnung

Vor dem Anschließen des Systems an die Stromquelle die Installationsanweisungen lesen.

¡Advertencia!

Lea las instrucciones de instalación antes de conectar el sistema a la red de alimentación.

Attention

Avant de brancher le système sur la source d'alimentation, consulter les directives d'installation.

יש לקרוא את הוראות התקנה לפני חיבור המערכת למקור מתח.

اقرأ إرشادات التركيب قبل توصيل النظام إلى مصدر للطاقة

주의!

시스템을 전원에 연결하기 전에 설치 안내를 읽어주십시오.

Waarschuwing

Raadpleeg de installatie-instructies voordat u het systeem op de voedingsbron aansluit.

Circuit Breaker



Warning!

This product relies on the building's installation for short-circuit (overcurrent) protection. Ensure that the protective device is rated not greater than: 250 V, 20 A.

サーキット・ブレーカー

この製品は、短絡(過電流)保護装置がある建物での設置を前提としています。

保護装置の定格が60V、20Aを超えないことを確認下さい。

警告

此产品的短路(过载电流)保护由建筑物的供电系统提供,确保短路保护设备的额定电流不大于600V,20A。

警告

此产品的短路(过载电流)保护由建筑物的供电系统提供,确保短路保护设备的额定电流不大于60V,20A。

Warnung

Dieses Produkt ist darauf angewiesen, dass im Gebäude ein Kurzschluss- bzw. Überstromschutz installiert ist. Stellen Sie sicher, dass der Nennwert der Schutzvorrichtung nicht mehr als: 60V, 20A beträgt.

¡Advertencia!

Este equipo utiliza el sistema de protección contra cortocircuitos (o sobrecorrientes) del edificio. Asegúrese de que el dispositivo de protección no sea superior a: 60V, 20A.

Attention

Pour ce qui est de la protection contre les courts-circuits (surtension), ce produit dépend de l'installation électrique du local. Vérifiez que le courant nominal du dispositif de protection n'est pas supérieur à :60V, 20A.

קיצור זה תלוי על הגנה מפני קיצור זרם או יתר זרם במבנה. ודא שיש לך מערכת הגנה מפני קיצור זרם או יתר זרם של 60V, 20A.

هذا الجهاز يعتمد على نظام الحماية من الدوائر القصيرة (أو التيارات الزائدة) في المبنى. تأكد من أن الجهاز من الحماية من الدوائر القصيرة (أو التيارات الزائدة) ليس أكبر من: 60V, 20A.

경고!

이 제품은 전원의 단락(과전류)방지에 대해서 전적으로 건물의 관련 설비에 의존합니다. 보호장치의 정격이 반드시 60V(볼트), 20A(암페어)를 초과하지 않도록 해야 합니다.

Waarschuwing

Dit product is afhankelijk van de kortsluitbeveiliging (overspanning) van uw elektrische installatie. Controleer of het beveiligde apparaat niet groter gedimensioneerd is dan 60V, 20A.

Power Disconnection Warning



Warning!

The system must be disconnected from all sources of power and the power cord removed from the power supply module(s) before accessing the chassis interior to install or remove system components.

電源切斷の警告

システムコンポーネントの取り付けまたは取り外しのために、シャーシ内部にアクセスするには、

システムの電源はすべてのソースから切斷され、電源コードは電源モジュールから取り外す必要があります。

警告

在你打开机箱并安装或移除内部器件前，必须将系统完全断电，并移除电源线。

警告

在您打開機殼安裝或移除內部元件前，必須將系統完全斷電，並移除電源線。

Warnung

Das System muss von allen Quellen der Energie und vom Netzanschlusskabel getrennt sein, das von den Spg.Versorgungsteilmodulen entfernt wird, bevor es auf den Chassisinnenraum zurückgreift, um Systemsbestandteile anzubringen oder zu entfernen.

¡Advertencia!

El sistema debe ser disconnected de todas las fuentes de energía y del cable eléctrico quitado de los módulos de fuente de alimentación antes de tener acceso el interior del chasis para instalar o para quitar componentes de sistema.

Attention

Le système doit être débranché de toutes les sources de puissance ainsi que de son cordon d'alimentation secteur avant d'accéder à l'intérieur du châssis pour installer ou enlever des composants de système.

אזהרה!

יש לנתק את המערכת מכל מקורות החשמל ויש להסיר את כבל החשמלי מהספק לפני גישה לחלק הפנימי של המארז לצורך התקנת או הסרת רכיבים.

يجب فصل النظام من جميع مصادر الطاقة وإزالة سلك الكهرباء من وحدة امداد الطاقة قبل الوصول إلى المناطق الداخلية للهيكल لتثبيت أو إزالة مكونات الجهاز

경고!

시스템에 부품들을 장착하거나 제거하기 위해서는 새시 내부에 접근하기 전에 반드시 전원 공급장치로부터 연결되어있는 모든 전원과 전기코드를 분리해주어야 합니다.

Waarschuwing

Voordat u toegang neemt tot het binnenwerk van de behuizing voor het installeren of verwijderen van systeem onderdelen, dient u alle spanningsbronnen en alle stroomkabels aangesloten op de voeding(en) van de behuizing te verwijderen

Equipment Installation



Warning!

Only trained and qualified personnel should be allowed to install, replace, or service this equipment.

機器の設置

トレーニングを受け認定された人だけがこの装置の設置、交換、またはサービスを許可されています。

警告

只有经过培训且具有资格的人员才能进行此设备的安装、更换和维修。

警告

只有經過受訓且具資格人員才可安裝、更換與維修此設備。

Warnung

Das Installieren, Ersetzen oder Bedienen dieser Ausrüstung sollte nur geschultem, qualifiziertem Personal gestattet werden.

¡Advertencia!

Solamente el personal calificado debe instalar, reemplazar o utilizar este equipo.

Attention

Il est vivement recommandé de confier l'installation, le remplacement et la maintenance de ces équipements à des personnels qualifiés et expérimentés.

אזהרה!

צוות מוסמך בלבד רשאי להתקין, להחליף את הציוד או לתת שירות עבור הציוד.

يجب أن يسمح فقط للموظفين المؤهلين والمدربين لتثبيت واستبدال أو خدمة هذا الجهاز

경고!

훈련을 받고 공인된 기술자만이 이 장비의 설치, 교체 또는 서비스를 수행할 수 있습니다.

Waarschuwing

Deze apparatuur mag alleen worden geïnstalleerd, vervangen of hersteld door geschoold en gekwalificeerd personeel.

Restricted Area



Warning!

This unit is intended for installation in restricted access areas. A restricted access area can be accessed only through the use of a special tool, lock and key, or other means of security. (This warning does not apply to workstations).

アクセス制限区域

このユニットは、アクセス制限区域に設置されることを想定しています。

アクセス制限区域は、特別なツール、鍵と錠前、その他のセキュリティの手段を用いてのみ出入りが可能です。

警告

此部件应安装在限制进出的场所，限制进出的场所指只能通过使用特殊工具、锁和钥匙或其它安全手段进出的场所。

警告

此裝置僅限安裝於進出管制區域，進出管制區域係指僅能以特殊工具、鎖頭及鑰匙或其他安全方式才能進入的區域。

Warnung

Diese Einheit ist zur Installation in Bereichen mit beschränktem Zutritt vorgesehen. Der Zutritt zu derartigen Bereichen ist nur mit einem Spezialwerkzeug, Schloss und Schlüssel oder einer sonstigen Sicherheitsvorkehrung möglich.

¡Advertencia!

Esta unidad ha sido diseñada para instalación en áreas de acceso restringido. Sólo puede obtenerse acceso a una de estas áreas mediante la utilización de una herramienta especial, cerradura con llave u otro medio de seguridad.

Attention

Cet appareil doit être installée dans des zones d'accès réservés. L'accès à une zone d'accès réservé n'est possible qu'en utilisant un outil spécial, un mécanisme de verrouillage et une clé, ou tout autre moyen de sécurité.

אזור עם גישה מוגבלת

אזהרה!

יש להתקין את היחידה באזורים שיש בהם הגבלת גישה. הגישה ניתנת בעזרת כלי אבטחה בלבד (מפתח, מנעול וכד').

تم تخصيص هذه الوحدة لت تركيبها في مناطق محظورة .
يمكن الوصول إلى منطقة محظورة فقط من خلال استخدام أداة خاصة،
قفل ومفتاح أو أي وسيلة أخرى للالأمان

경고!

이 장치는 접근이 제한된 구역에 설치하도록 되어있습니다. 특수도구, 잠금 장치 및 키, 또는 기타 보안 수단을 통해서만 접근 제한 구역에 들어갈 수 있습니다.

Waarschuwing

Dit apparaat is bedoeld voor installatie in gebieden met een beperkte toegang. Toegang tot dergelijke gebieden kunnen alleen verkregen worden door gebruik te maken van speciaal gereedschap, slot en sleutel of andere veiligheidsmaatregelen.

Battery Handling



Warning!

There is the danger of explosion if the battery is replaced incorrectly. Replace the battery only with the same or equivalent type recommended by the manufacturer. Dispose of used batteries according to the manufacturer's instructions

電池の取り扱い

電池交換が正しく行われなかった場合、破裂の危険性があります。交換する電池はメーカーが推奨する型、または同等のものを使用下さい。使用済電池は製造元の指示に従って処分して下さい。

警告

電池更換不當會有爆炸危險。請只使用同類電池或製造商推薦的功能相當的電池更換原有電池。請按製造商的說明處理廢舊電池。

警告

電池更換不當會有爆炸危險。請使用製造商建議之相同或功能相當的電池更換原有電池。請按照製造商的說明指示處理廢棄舊電池。

Warnung

Bei Einsetzen einer falschen Batterie besteht Explosionsgefahr. Ersetzen Sie die Batterie nur durch den gleichen oder vom Hersteller empfohlenen Batterietyp. Entsorgen Sie die benutzten Batterien nach den Anweisungen des Herstellers.

Attention

Danger d'explosion si la pile n'est pas remplacée correctement. Ne la remplacer que par une pile de type semblable ou équivalent, recommandée par le fabricant. Jeter les piles usagées conformément aux instructions du fabricant.

¡Advertencia!

Existe peligro de explosión si la batería se reemplaza de manera incorrecta. Reemplazar la batería exclusivamente con el mismo tipo o el equivalente recomendado por el fabricante. Desechar las baterías gastadas según las instrucciones del fabricante.

אזהרה!

קיימת סכנת פיצוץ של הסוללה במידה והוחלפה בדרך לא תקינה. יש להחליף את הסוללה בסוג התואם מחברת יצרן מומלצת.

סילוק הסוללות המשומשות יש לבצע לפי הוראות היצרן.

هناك خطر من انفجار في حالة استبدال البطارية بطريقة غير صحيحة فعليك استبدال البطارية فقط بنفس النوع أو ما يعادلها كما أوصت به الشركة المصنعة تخلص من البطاريات المستعملة وفقا لتعليمات الشركة الصانعة

경고!

배터리가 올바르게 교체되지 않으면 폭발의 위험이 있습니다. 기존 배터리와 동일하거나 제조사에서 권장하는 동등한 종류의 배터리로만 교체해야 합니다. 제조사의 안내에 따라 사용된 배터리를 처리하여 주십시오.

Waarschuwing

Er is ontploffingsgevaar indien de batterij verkeerd vervangen wordt. Vervang de batterij slechts met hetzelfde of een equivalent type die door de fabrikant aanbevolen wordt. Gebruikte batterijen dienen overeenkomstig fabrieksvoorschriften afgevoerd te worden.

Redundant Power Supplies



Warning!

This unit might have more than one power supply connection. All connections must be removed to de-energize the unit.

冗長電源装置

このユニットは複数の電源装置が接続されている場合があります。
ユニットの電源を切るためには、すべての接続を取り外さなければなりません。

警告

此部件连接的电源可能不止一个，必须将所有电源断开才能停止给该部件供电。

警告

此装置连接的電源可能不只一個，必須切斷所有電源才能停止對該裝置的供電。

Warnung

Dieses Gerät kann mehr als eine Stromzufuhr haben. Um sicherzustellen, dass der Einheit kein Strom zugeführt wird, müssen alle Verbindungen entfernt werden.

¡Advertencia!

Puede que esta unidad tenga más de una conexión para fuentes de alimentación. Para cortar por completo el suministro de energía, deben desconectarse todas las conexiones.

Attention

Cette unité peut avoir plus d'une connexion d'alimentation. Pour supprimer toute tension et tout courant électrique de l'unité, toutes les connexions d'alimentation doivent être débranchées.

אם קיים יותר מספק אחד

אזהרה!

ליחידה יש יותר מחיבור אחד של ספק. יש להסיר את כל החיבורים על מנת לרוקן את היחידה.

قد يكون لهذا الجهاز عدة اتصالات بوحدات امداد الطاقة.
يجب إزالة كافة الاتصالات لعزل الوحدة عن الكهرباء

경고!

이 장치에는 한 개 이상의 전원 공급 단자가 연결되어 있을 수 있습니다. 이 장치에 전원을 차단하기 위해서는 모든 연결 단자를 제거해야만 합니다.

Waarschuwing

Deze eenheid kan meer dan één stroomtoevoeraansluiting bevatten. Alle aansluitingen dienen verwijderd te worden om het apparaat stroomloos te maken.

Backplane Voltage



Warning!

Hazardous voltage or energy is present on the backplane when the system is operating. Use caution when servicing.

バックプレーンの電圧

システムの稼働中は危険な電圧または電力が、バックプレーン上にかかっています。

修理する際にはご注意ください。

警告

当系統正在进行时，背板上有很危险的电压或能量，进行维修时务必小心。

警告

當系統正在進行時，背板上有危險的電壓或能量，進行維修時務必小心。

Warnung

Wenn das System in Betrieb ist, treten auf der Rückwandplatine gefährliche Spannungen oder Energien auf. Vorsicht bei der Wartung.

¡Advertencia!

Cuando el sistema está en funcionamiento, el voltaje del plano trasero es peligroso. Tenga cuidado cuando lo revise.

Attention

Lorsque le système est en fonctionnement, des tensions électriques circulent sur le fond de panier. Prendre des précautions lors de la maintenance.

מתח בפנל האחורי

אזהרה!
קיימת סכנת מתח בפנל האחורי בזמן תפעול המערכת. יש להיזהר במהלך
העבודה.

هناك خطر من التيار الكهربائي أو الطاقة الموجودة على اللوحة
عندما يكون النظام يعمل كن حذرا عند خدمة هذا الجهاز

경고!

시스템이 동작 중일 때 후면판 (Backplane)에는 위험한 전압이나 에너지가 발생
합니다. 서비스 작업 시 주의하십시오.

Waarschuwing

Een gevaarlijke spanning of energie is aanwezig op de backplane wanneer het
systeem in gebruik is. Voorzichtigheid is geboden tijdens het onderhoud.

Comply with Local and National Electrical Codes



Warning!

Installation of the equipment must comply with local and national electrical codes.

地方および国の電気規格に準拠

機器の取り付けはその地方および国の電気規格に準拠する必要があります。

警告

设备安装必须符合本地与本国电气法规。

警告

設備安裝必須符合本地與本國電氣法規。

Warnung

Die Installation der Geräte muss den Sicherheitsstandards entsprechen.

¡Advertencia!

La instalación del equipo debe cumplir con las normas de electricidad locales y
nacionales.

Attention

L'équipement doit être installé conformément aux normes électriques nationales et locales.

תיאום חוקי החשמל הארצי

אזהרה!

התקנת הציוד חייבת להיות תואמת לחוקי החשמל המקומיים והארציים.

تركيب المعدات الكهربائية يجب أن يمتثل للقوانين المحلية والوطنية المتعلقة بالكهرباء

경고!

현 지역 및 국가의 전기 규정에 따라 장비를 설치해야 합니다.

Waarschuwing

Bij installatie van de apparatuur moet worden voldaan aan de lokale en nationale elektriciteitsvoorschriften.

Product Disposal



Warning!

Ultimate disposal of this product should be handled according to all national laws and regulations.

製品の廃棄

この製品を廃棄処分する場合、国の関係する全ての法律・条例に従い処理する必要があります。

警告

本产品的废弃处理应根据所有国家的法律和规章进行。

警告

本產品的廢棄處理應根據所有國家的法律和規章進行。

Warnung

Die Entsorgung dieses Produkts sollte gemäß allen Bestimmungen und Gesetzen des Landes erfolgen.

¡Advertencia!

Al deshacerse por completo de este producto debe seguir todas las leyes y reglamentos nacionales.

Attention

La mise au rebut ou le recyclage de ce produit sont généralement soumis à des lois et/ou directives de respect de l'environnement. Renseignez-vous auprès de l'organisme compétent.

סילוק המוצר

אזהרה!

סילוק סופי של מוצר זה חייב להיות בהתאם להנחיות וחוקי המדינה.

عند التخلص النهائي من هذا المنتج ينبغي التعامل معه وفقا لجميع القوانين واللوائح الوطنية

경고!

이 제품은 해당 국가의 관련 법규 및 규정에 따라 폐기되어야 합니다.

Waarschuwing

De uiteindelijke verwijdering van dit product dient te geschieden in overeenstemming met alle nationale wetten en reglementen.

Hot Swap Fan Warning



Warning!

The fans might still be turning when you remove the fan assembly from the chassis. Keep fingers, screwdrivers, and other objects away from the openings in the fan assembly's housing.

ファン・ホットスワップの警告

シャーシから冷却ファン装置を取り外した際、ファンがまだ回転している可能性があります。ファンの開口部に、指、ドライバー、およびその他のものを近づけないで下さい。

警告

当您从机架移除风扇装置，风扇可能仍在转动。小心不要将手指、螺丝起子和其他物品太靠近风扇

警告

當您從機架移除風扇裝置，風扇可能仍在轉動。小心不要將手指、螺絲起子和其他物品太靠近風扇。

Warnung

Die Lüfter drehen sich u. U. noch, wenn die Lüfterbaugruppe aus dem Chassis genommen wird. Halten Sie Finger, Schraubendreher und andere Gegenstände von den Öffnungen des Lüftergehäuses entfernt.

¡Advertencia!

Los ventiladores podran dar vuelta cuando usted quite el montaje del ventilador del chasis. Mantenga los dedos, los destornilladores y todos los objetos lejos de las aberturas del ventilador

Attention

Il est possible que les ventilateurs soient toujours en rotation lorsque vous retirez le bloc ventilateur du châssis. Prenez garde à ce que doigts, tournevis et autres objets soient éloignés du logement du bloc ventilateur.

אזהרה!

כאשר מסירים את חלקי המאוורר מהמארז, יתכן והמאווררים עדיין עובדים. יש להרחיק למרחק בטוח את האצבעות וכלי עבודה שונים מהפתחים בתוך המאוורר

من الممكن أن تترال المراوح لا تدور عند إزالة كتلة المروحة من الهيكل يجب إبقاء الأصابع ومفكات البراغي وغيرها من الأشياء بعيدا عن الفتحات في كتلة المروحة.

경고!

새시로부터 팬 조립품을 제거할 때 팬은 여전히 회전하고 있을 수 있습니다. 팬 조립품 외관의 열려있는 부분들로부터 손가락 및 스크류드라이버, 다른 물체들이 가까이 하지 않도록 배치해 주십시오.

Waarschuwing

Het is mogelijk dat de ventilator nog draait tijdens het verwijderen van het ventilatorsamenstel uit het chassis. Houd uw vingers, schroevendraaiers en eventuele andere voorwerpen uit de buurt van de openingen in de ventilatorbehuizing.

DC Power Supply



Warning!

When stranded wiring is required, use approved wiring terminations, such as closedloop or spade-type with upturned lugs. These terminations should be the appropriate size for the wires and should clamp both the insulation and conductor.

警告

より線が必要な場合、承認済みのケーブル終端（上向きの端子を備えたクローズループ型またはU字型の終端など）を使用してください。使用するワイヤーに適したサイズで、絶縁体および導体が両方ともクランプされている終端でなければなりません。

警告

需要多股佈線時，請使用經核准的佈線終端，例如閉環或鑷型接線片。這些終端的大小應適合線路，並且可以同時夾住絕緣體和導體。

警告

需要使用绞线连接时，请使用经认可的连接端子，如闭环端子或具有接线柱的铲形端子。这些端子的大小应与线缆相吻合，并且可以将绝缘部分和导体夹紧固定。

Warnung

Wenn Litzenverdrahtung erforderlich ist, sind zugelassene Verdrahtungsabschlüsse, z.B. für einen geschlossenen Regelkreis oder gabelförmig, mit nach oben gerichteten Kabelschuhen zu verwenden. Diese Abschlüsse sollten die angemessene Größe für die Drähte haben und sowohl die Isolierung als auch den Leiter festklemmen.

¡Advertencia!

Quando se necesite hilo trenzado, utilizar terminales para cables homologados, tales como las de tipo "bucle cerrado" o "espada", con las lengüetas de conexión vueltas hacia arriba. Estos terminales deberán ser del tamaño apropiado para los cables que se utilicen, y tendrán que sujetar tanto el aislante como el conductor.

Attention

Quand des fils torsadés sont nécessaires, utiliser des douilles terminales homologuées telles que celles à circuit fermé ou du type à plage ouverte avec cosses rebroussées. Ces douilles terminales doivent être de la taille qui convient aux fils et doivent être refermées sur la gaine isolante et sur le conducteur.

תקנון הצהרות אזהרה

הצהרות הבאות הן אזהרות על פי תקני התעשייה, על מנת להזהיר את המשתמש מפני חבלה פיזית אפשרית. במידה ויש שאלות או היתקלות בבעיה כלשהי, יש ליצור קשר עם מחלקת תמיכה טכנית של סופרמיקרו. טכנאים מוסמכים בלבד רשאים להתקין או להגדיר את הרכיבים.

יש לקרוא את הנספח במלואו לפני התקנת או הגדרת הרכיבים במארזי סופרמיקרו.

تحذير

كإل سأل مادختس او ، لبسلا مهب تعطقت نيذلا كإلسأل ابولطم نوكي امدنح عونلا ةيقي قحلا اءى امسأب اءى شألأ وأ قق لغم قق ل ح لشم ، اءى لع قق فاوملا اءان! كإلسأل بسانملا مءءا نوكي تاءان إل اءهذل يغبني و . قبولقم تاورعلا عم لوصوم و لزعل نم لك حبك بءجي و

주의!

꼬인 배선이 요구 될 때에는 폐회로나 돌출부가 위로 튀어 나온 Spade 형태의 승인된 배선 터미네이션들을 사용하세요.

이 터미네이션들은 배선들을 위해 적절한 크기여야 하고, 절연체와 도체 모두를 고정시킬 수 있어야 합니다.

Waarschuwing

Wanneer geslagen bedrading vereist is, dient u bedrading te gebruiken die voorzien is van goedgekeurde aansluitingspunten, zoals het gesloten-lus type of het grijperschop type waarbij de aansluitpunten omhoog wijzen. Deze aansluitpunten dienen de juiste maat voor de draden te hebben en dienen zowel de isolatie als de geleider vast te klemmen.

DC Power Disconnection



Warning!

Before performing any of the following procedures, ensure that power is removed from the DC circuit.

警告

次の手順を開始する前に、DC回路から電源が切斷されていることを確認してください。

警告

進行以下任一操作程序前，請確保直流電路已斷電。

警告

請在進行以下任一操作程序前，確保直流電路的電源已經斷開。

Warnung

Vor Ausführung der folgenden Vorgänge ist sicherzustellen, daß die Gleichstromschaltung keinen Strom erhält.

¡Advertencia!

Antes de proceder con los siguientes pasos, comprobar que la alimentación del circuito de corriente continua (CC) esté cortada (OFF).

Attention

Avant de pratiquer l'une quelconque des procédures ci-dessous, vérifier que le circuit en courant continu n'est plus sous tension.

אזהרה !

לפני ביצוע אחת הפעולות הבאות, ודא כי אספקת החשמל למועגל הזרם הישר DC הינה מנותקת.

تحذير

عاهدن كالكالس ألإمداختس او ،لبسلا مهب تعطقت نيذلا كالكالس ألإبولطم نوكي امدنع عم عونلا ةيقي قرحلا اءى اءس أب ءايش ألأ وأ ةقلغم ةقللح لشم ،اهيلع ةقف او مل بجي وكالكالس أللبس ان مل اءج حل نوكي تاءءان إلهذهل يغبن ي و .ةبولقم تاورعلال لصلومو لزعلال نم لك حبك

주의!

다음 절차를 수행하기 전에, 전원이 DC 회로로부터 제거되었는지를 확인해 주십시오.

Waarschuwing

Wanneer geslagen bedrading vereist is, dient u bedrading te gebruiken die voorzien is van goedgekeurde aansluitingspunten, zoals het gesloten-lus type of het grijperschop type waarbij de aansluitpunten omhoog wijzen. Deze aansluitpunten dienen de juiste maat voor de draden te hebben en dienen zowel de isolatie als de geleider vast te klemmen.

Hazardous Voltage or Energy Present on DC Power Terminals



Warning!

Hazardous voltage or energy may be present on DC power terminals. Always replace cover when terminals are not in service. Be sure uninsulated conductors are not accessible when cover is in place.

警告

直接電力端子に危険な電圧やエネルギーが発生している可能性があります。使用していない端子には常にカバーをつけてください。カバーがついているときは非絶縁形コンダクターに接触していないことを確認してください。

警告

直流電源終端可能產生危險的電壓或能量。終端不使用時，請務必蓋上機蓋。當蓋上機蓋，確認不絕緣導體無法使用。

警告

直流电源终端可能会产生危险的电压或能量。终端不使用时，请务必盖上机盖。机盖盖上后，请确保导体未绝缘部分无法使用。

Warnung

In mit Gleichstrom betriebenen Terminals kann es zu gefährlicher Spannung kommen. Die Terminals müssen abgedeckt werden, wenn sie nicht in Betrieb sind. Stellen Sie bei Benutzung der Abdeckung sicher, dass alle nicht isolierten, stromführenden Kabel abgedeckt sind.

¡Advertencia!

Puede haber energía o voltaje peligrosos en los terminales eléctricos de CC. Reemplace siempre la cubierta cuando no estén utilizándose los terminales. Asegúrese de que no haya acceso a conductores descubiertos cuando la cubierta esté colocada.

Attention

Le voltage ou l'énergie électrique des terminaux à courant continu peuvent être dangereux. Veuillez à toujours replacer le couvercle lors les terminaux ne sont pas en service. Assurez-vous que les conducteurs non isolés ne sont pas accessibles lorsque le couvercle est en place.

אזהרה!

מקור מתח מסוכן עלול להיות נוכח על הקטבים של זרם ה-DC. החלף תמיד את המכסה כאשר הקטבים לא בשימוש. ודא כי המוליכים הלא מבודדים אינם נגישים כאשר המכסה נמצא במקומו.

تحذير

لادبتسا. ؤمصاعلا ؤق اظلا تااطحم ىل ع ؤدوجوم نوكت ؤق اظلا و ا ؤرطخل ا دهجل ا دق ريغ تالصولا هيف لكش ال امم. ؤمدخل ا يف تسيل تااطحمل ا مدن ع امئاد ااطغ هنالكم يف ااطغل ا مدن ع اهيل ا لوصول ا نلكمي ال لوزعم

주의!

DC전원 단자들에 위험한 전압이나 에너지가 발생할 수 있습니다.

단말기들을 운영하지 않을 때에는 덮개로 다시 덮어 놓아 주십시오. 덮개가 제자리에 있어야만 절연되지 않은 도체들의 접근을 막을 수 있습니다.

Waarschuwing

Op DC-aansluitingspunten kunnen zich gevaarlijke voltages of energieën voordoen. Plaats altijd de afsluiting wanneer de aansluitingspunten niet worden gebruikt. Zorg ervoor dat blootliggende contactpunten niet toegankelijk zijn wanneer de afsluiting is geplaatst.

Chapter 3

Chassis Components

3-1 Overview

This chapter describes the most common components included with your chassis. Some components listed may not be included or compatible with your particular chassis model. For more information, see the installation instructions detailed later in this manual.

3-2 Components

Chassis

The chassis includes ten 2.5" hard drive bays. For the latest shipping lists, visit our Web site at: <http://www.supermicro.com>.

This chassis accepts a 1U backplane, four fans (with two optional fans) and two power supplies. SC116 models come in black.

Backplane

Each SC116 chassis comes with a 1U SAS/SATA backplane. For more information regarding compatible backplanes, view the appendices found at the end of this manual. In addition, visit our Web site for the latest information: <http://www.supermicro.com>.

Fans

The SC116 chassis accepts four system fans and provides space for two additional fans if required. System fans for the SC116 chassis are powered from the serverboard. These fans are 1U high and are powered by 4-pin connectors.

Mounting Rails

The SC116 can be placed in a rack for secure storage and use. To set up your rack, follow the step-by-step instructions included in this manual.

Power Supply

Each SC116 chassis model includes redundant high-efficiency power supplies rated at 700 Watts. In the unlikely event your power supply fails, replacement is simple and can be done without tools.

Air Shroud

Air shrouds are shields, usually plastic, that channel air directly to where it is needed. Always use the air shroud included with your chassis.

3-3 Where to get Replacement Components

Although not frequently, you may need replacement parts for your system. To ensure the highest level of professional service and technical support, we strongly recommend purchasing exclusively from our Supermicro Authorized Distributors/System Integrators/Resellers. A list of Supermicro Authorized Distributors/System Integrators/Reseller can be found at: <http://www.supermicro.com>. Click the Where to Buy link.

Chapter 4

System Interface

4-1 Overview

There are several LEDs on the control panel and on the drive carriers that provide system and component status. This chapter explains the meanings of all LED indicators and the appropriate responses that need to be taken.

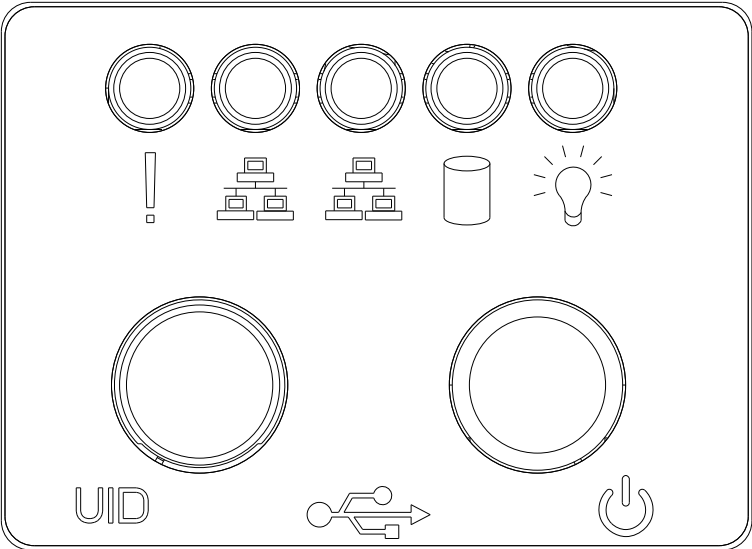


Figure 4-1. Control Panel Buttons and LEDs

4-2 Control Panel Buttons

The SC116 chassis includes a power on/off button and a UID button. Both are located on the front panel



Power: The main power switch is used to apply or remove power from the power supply to the server system. Turning off system power with this button removes the main power but keeps standby power supplied to the system. Therefore, you must unplug system before servicing.



UID: When used with a UID-compatible motherboard, the UID button is used to turn on or off the blue light function of the the U-LED. Once the blue light is activated, the unit can be easily located in very large racks and server banks.

4-3 Control Panel LEDs

The control panel located on the front of the SC116 chassis has five LEDs. These LEDs provide critical information related to different parts of the system. This section explains what each LED indicates when illuminated and any action that may be required.



Universal Information LED: This LED is used to indicate a fan failure, power failure, overheat condition, or to identify the unit within a large rack installation. The feature requires a motherboard that supports the Universal Information LED.

When this LED blinks red quickly, it indicates a fan failure and when blinking red slowly a power failure. This LED will be blue when used for UID (Unit Identifier). When continuously red, it indicates an overheat condition, which may be caused by cables obstructing the airflow in the system or the ambient room temperature being too warm. See the table below for descriptions of the LED states.

Universal Information LED States	
State Indication	
Fast Blinking Red (1x/sec)	Fan Failure
Solid Red	CPU Overheat
Slow Blinking Red (1x/4 sec)	Power Failure
Solid Blue	Local UID Button Depressed
Blinking Blue	IPMI-Activated UID

Figure 4-2. Universal Information LED States

Note: Deactivating the UID LED must be performed in the same way it was activated. (If the UID LED was activated via IPMI, you can only turn the LED off via IPMI and not with the UID button.)



NIC2: Indicates network activity on GLAN2 when flashing.



NIC1: Indicates network activity on GLAN1 when flashing.



HDD: Indicates IDE channel activity. SAS2/SATA drive and/or DVD-ROM drive activity when flashing.



Power: Indicates power is being supplied to the system's power supply units. This LED should normally be illuminated when the system is operating.

4-4 Drive Carriers

The SC116 chassis uses SAS2/SATA drives. SC116AC models use SAS3/SATA drives.

Drive Carrier LEDs

Each SAS2/SATA drive carrier has two LEDs.

Green: Each Serial ATA drive carrier has a green LED. When illuminated, this green LED (on the front of the SATA drive carrier) indicates drive activity. A connection

to the SATA backplane enables this LED to blink on and off when that particular drive is being accessed.

Red: The red LED to indicate an SAS/SATA drive failure. If one of the SAS/SATA drives fail, you should be notified by your system management software.

4-5 Power Supply LEDs

This chassis provides several options which may include hot-swappable, cold-swappable, and redundant power supplies. Some power supplies include an LED in the rear with the following definitions:

Power Supply LEDs	
State Indication	
Solid Green	System is on.
Solid Amber	System is off and plugged in or 5V stand by on.
Blinking Amber (Only for 650W)	Power supply internal temperature has reached 63° Celsius, and will be shut down if the temperature reaches 70° Celsius.

Solid Green: When illuminated, the green LED indicates that the power supply is on.

Solid Amber: When illuminated, the amber LED indicates the power supply is plugged in and turned off, or the system is off but in an abnormal state.

Notes

Chapter 5

Chassis Setup and Maintenance

5-1 Overview

This chapter covers the steps required to install components and perform maintenance on the chassis. The only tool you will need to install components and perform maintenance is a Phillips screwdriver. Print this page to use as a reference while setting up your chassis.

5-2 Installation and Maintenance Procedures

Installation

- Removing the Chassis Cover
- Installing and Removing Hard Drives
- Removing the Backplane
- Backplane Installation
- Installing the Motherboard (includes PCI slot setup)
- Expansion Card Setup
- Installing the Air Shroud
- Checking Airflow

General Maintenance

- General Maintenance: Systems Fans
- General Maintenance: Replacing the Power Supply

Review the warnings and precautions listed in the manual before setting up or servicing this chassis. These include information in Chapter 2: Standardized Warnings for AC/DC Systems and the warning/precautions listed in the setup instructions.

5-3 Removing the Chassis Cover

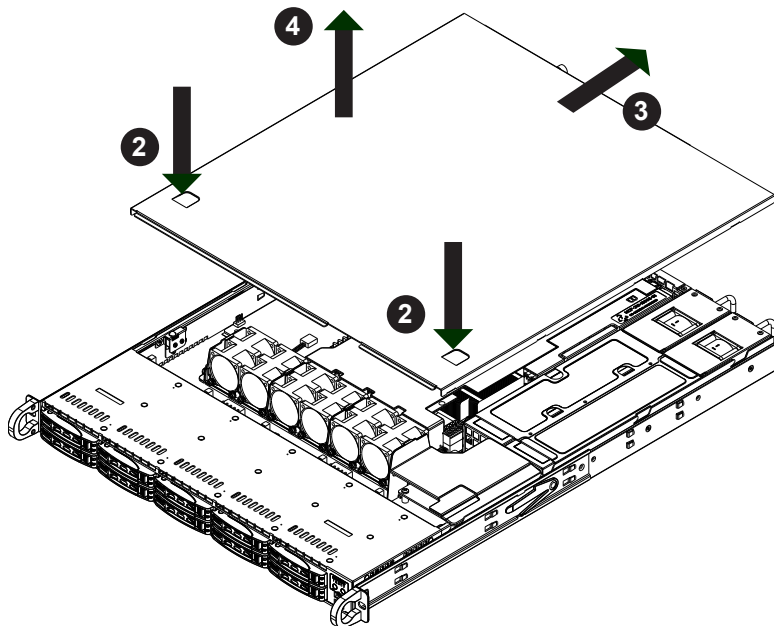


Figure 5-1. Removing the Chassis Cover

Removing the Chassis Cover:

1. Power down the system and remove the power cords from the rear of the power supplies.
2. Simultaneously press down on the two release buttons on the chassis cover.
3. Slide the cover toward the rear of the chassis.
4. Lift the cover off the chassis.

Warning: Except for short periods of time, do NOT operate the server without the cover in place. The chassis cover must be in place to allow proper airflow and prevent overheating.

5-4 Installing and Removing Hard Drives

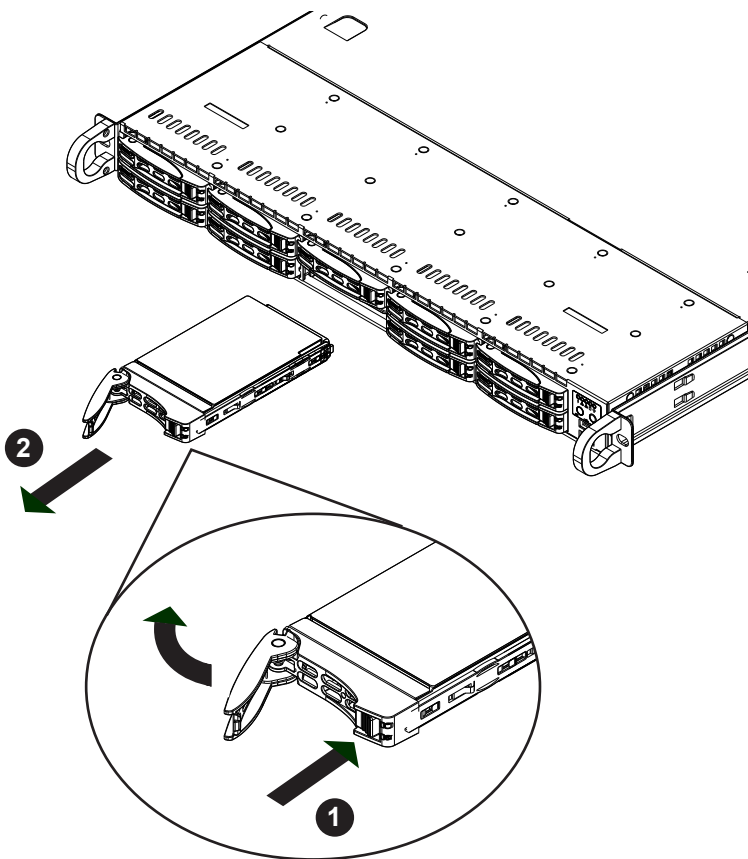


Figure 5-2. Removing Hard Drive

The SC116 chassis supports ten hot-swappable hard drives which can be removed without powering down the system. Only enterprise level SAS or SATA HDDs are recommended for use in Supermicro chassis.

Removing Hard Drive Carriers from the Chassis

1. Press the release button on the drive carrier. This extends the drive carrier handle.
2. Use the handle to pull the drive out of the chassis.

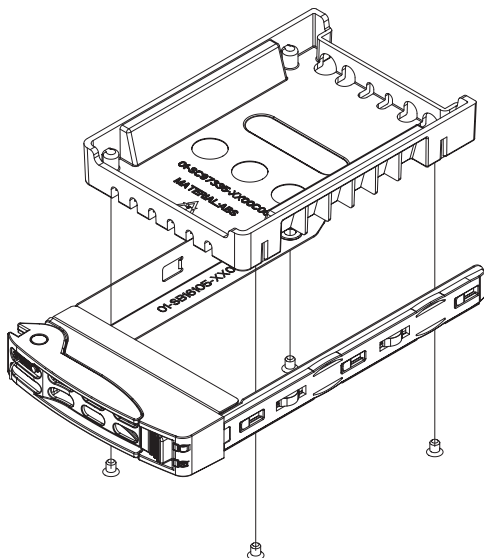


Figure 5-3. Removing the Dummy Drive from the Hard Drive Carrier

Installing a Hard Drive into a Drive Carrier

1. Remove the dummy drive, which comes pre-installed in the drive carrier, by removing the screws securing the dummy drive to the carrier. Note that these screws cannot be reused on the actual 2.5" hard drive.
2. Insert a drive into the carrier with the PCB side facing down and the connector end toward the rear of the carrier.
3. Align the drive in the carrier so that the screw holes of both line up. Note that there are holes in the carrier marked "SATA" to aid in correct installation.
4. Secure the drive to the carrier with four M3 screws. These screws are included in the chassis accessory box.
5. Insert the drive carrier into its bay, keeping the carrier oriented so that the hard drive is on the top of the carrier and the release button is on the right side. When the carrier reaches the rear of the bay, the release handle will retract.
6. Push the handle in until it clicks into the locked position

Warning: Except for short periods of time (swapping hard drives), do not operate the server with the hard drives empty.

5-5 Removing the Backplane

The SC116 chassis backplane is located behind the hard drives and in front of the front system fans. In order to change jumper settings on the backplane, it may be necessary to remove the backplane from the chassis.

Removing the Backplane from the Chassis

1. Power down the system and remove the power cords from the rear of the power supplies. Remove the chassis cover as described in Section 5-3.
2. Disconnect the cabling to the backplane.
3. Remove the five upper screws at the top of the backplane, indicated by the arrows below.
4. Lift the backplane up and out of the chassis.

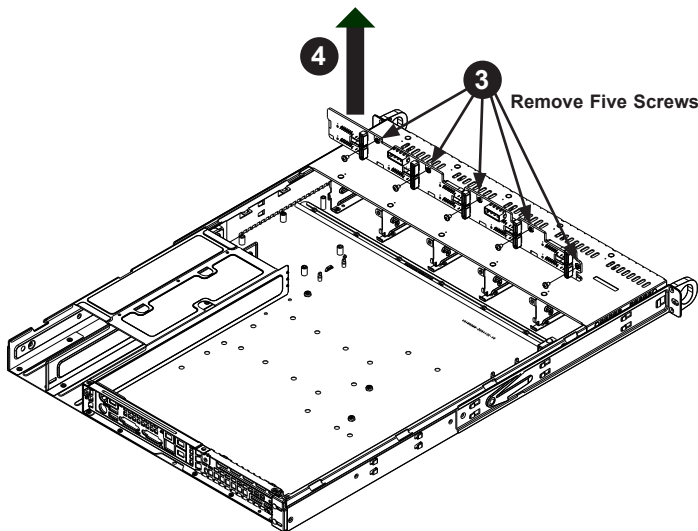


Figure 5-4. Removing the Backplane

5-6 Backplane Installation

Installing the Backplane

1. Slide the backplane into the chassis as shown, inserting the lower edge of the backplane into the clips on the floor of the chassis.
2. Align the mounting holes in the backplane with the mounting holes in the chassis
3. Secure the backplane to the chassis using the five screws provided with the backplane.
4. Connect the wiring to the backplane, plug the power cords into the rear of the power supply and power up the system.

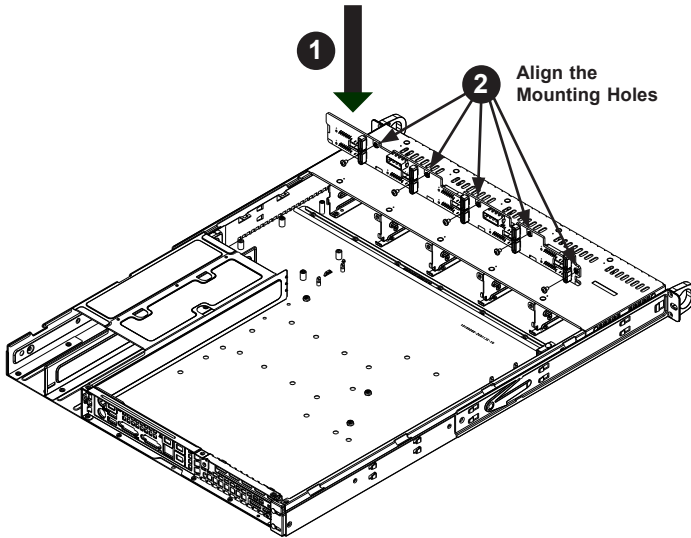


Figure 5-5. Installing the Backplane

5-7 Installing the Motherboard

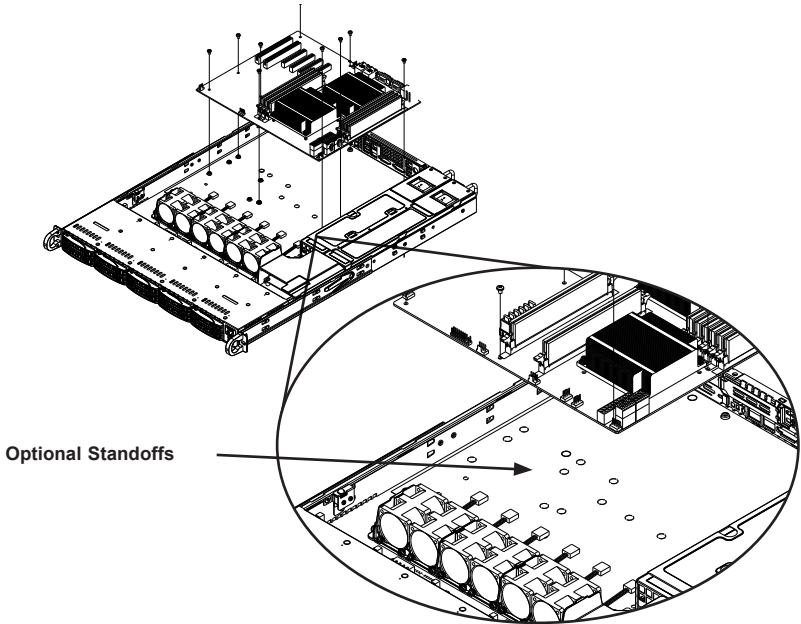


Figure 5-6. Chassis Standoffs

Permanent and Optional Standoffs

Standoffs prevent short circuits by creating space between the motherboard and the chassis surface. The SC116 chassis includes permanent standoffs in locations used by most motherboards. These standoffs accept the rounded Phillips head screws included in the SC116 accessories packaging.

Some motherboards require additional screws for heatsinks, general components and/or non-standard security. Optional standoffs are included for these motherboards. To use an optional standoff, you must place the hexagonal screw through the bottom the chassis and secure the screw with the hexagon nut (rounded side up).

Motherboard Installation

Installing the Motherboard

1. Review the documentation that came with your motherboard. Become familiar with component placement, requirements, and precautions.
2. Power down the system and remove the power cords from the rear of the power supplies. Remove the chassis cover as described in Section 5-3.
3. If necessary, remove the riser card. To do this, remove the two screws holding the card in place and lift the card from the chassis.
4. As required by your motherboard, install standoffs in any areas that do not have a permanent standoff. To do this, compare the mounting holes in the motherboard to those in the chassis. Add or remove standoffs as needed.
 - A. Place a hexagonal standoff screw through the bottom the chassis.
 - B. Secure the screw with the hexagon nut (rounded side up).
5. Lay the motherboard on the chassis aligning the permanent and optional standoffs
6. Secure the motherboard to the chassis using the rounded, Phillips head screws. Do not exceed eight pounds of torque when tightening the motherboard.
7. Secure the CPU(s), heatsinks, and other components to the motherboard, chassis, and/or backplane as needed.
8. Replace the chassis cover, plug the power cords into the rear of the power supplies and power up the system.

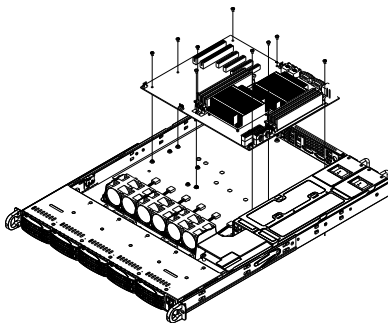


Figure 5-7. Securing the Motherboard to the Chassis

Expansion Card Setup

SC116 chassis includes PCI slots for expansion cards. "C" models (such as SC116TQ-700CB) include one full-height slot. "U" and "W" model chassis include two full-height expansion slots and one low-profile expansion slot.

Note: A riser card must be used to install expansion cards into any SC116 chassis. Riser cards are sold separately.

For the latest compatibility and performance information, visit our website at: <http://www.supermicro.com>.

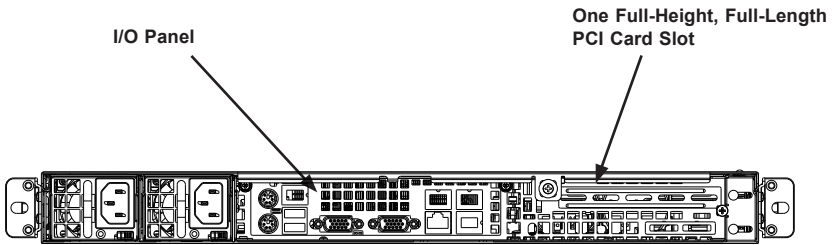


Figure 5-8. SC116 Chassis Rear View with One Full-Height/Full-Length PCI Slot

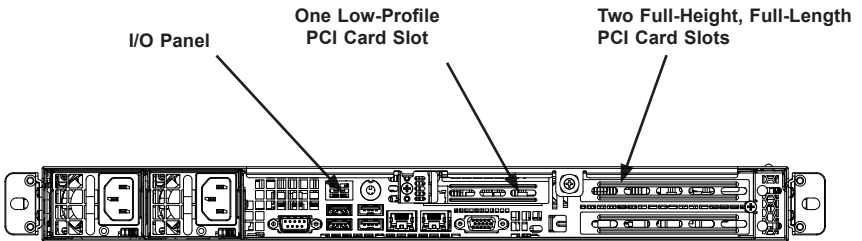


Figure 5-9. SC116UB and SC116WB Chassis Rear View with Two Full-Height/Full-Length PCI Slots, One Low-Profile PCI Slot

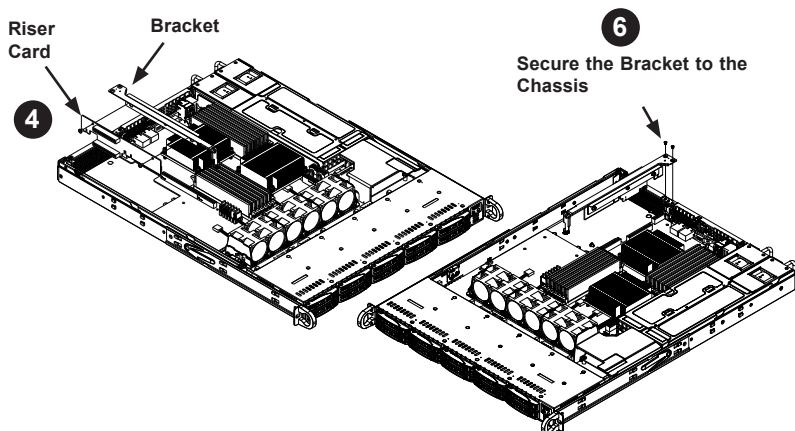


Figure 5-10. Installing an Expansion Card

Installing an Expansion Card

1. Power down the system and remove the power cords from the rear of the power supplies. Remove the chassis cover as described in Section 5-3.
2. Confirm that you have the correct riser card for your chassis model and that the expansion card includes a standard bracket.
3. Remove the chassis cover.
4. Install the riser card onto the bracket.
5. Insert the card and bracket into the appropriate slot on the motherboard.
6. Secure the bracket to the chassis using screws as illustrated.
7. Choose the PCI card slot in which to place the expansion card.
8. In that slot, open the slot cover lever and slide the slot cover sideways.
9. From inside the chassis, remove the slot cover.
10. Slide the expansion card into the riser card and attach the expansion card bracket in place of the slot cover.
11. Secure the expansion card by closing the PCI slot lever.
12. Connect cables to the expansion card if necessary.

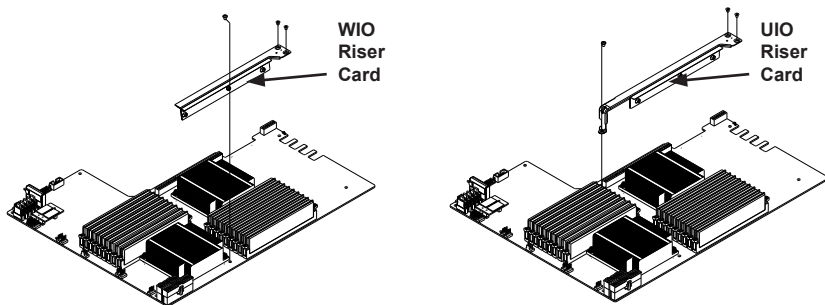


Figure 5-11. WIO and UIO Riser Cards

5-8 Installing the Air Shroud

Air shrouds concentrate airflow to maximize fan efficiency. The SC116 chassis air shroud does not require screws to set up.

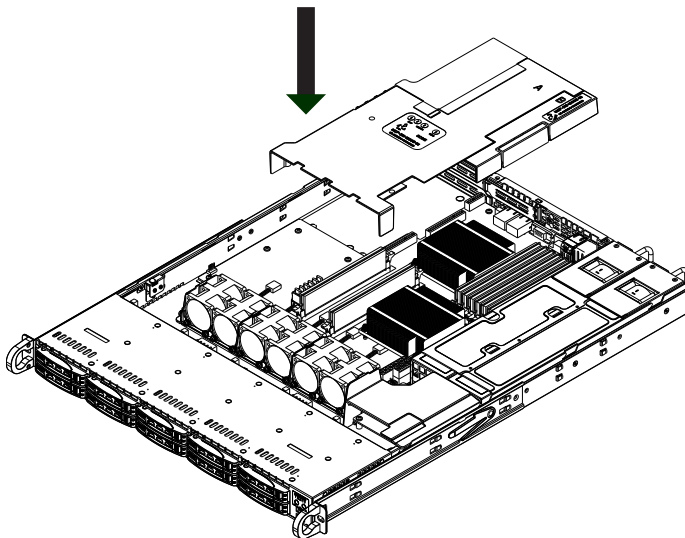


Figure 5-12. Air Shroud Installation

Air Shroud Installation

1. Power down the system and remove the power cords from the rear of the power supplies. Remove the chassis cover as described in Section 5-3.
2. Position the air shroud in alignment with the CPU, memory card and fan locations.
3. Check the air shroud and serverboard components, removing the break-away piece from the side of the air shroud if required.
4. Place the air shroud into the chassis.
5. Replace the chassis cover, plug the power cords into the rear of the power supply and power up the system.

Checking the Airflow

Check the Airflow

1. Make sure there are no objects obstructing the airflow in and out of the server. In addition, if you are using a front bezel, make sure the bezel's filter is replaced periodically.
2. Do not operate the server without hard drives or drive carriers in the drive bays. Use only recommended server parts.
3. Make sure no wires or foreign objects obstruct airflow through the chassis. Pull all excess cabling out of the airflow path or use shorter cables.
4. The control panel LEDs inform you of system status. See Chapter 4 System Interface for details on the LEDs and the control panel buttons.

5-9 System Fans

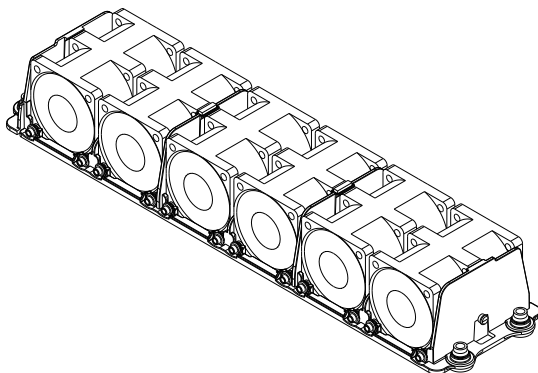


Figure 5-13. System Fans in the Fan Tray with Optional Fifth and Sixth Fans

Four heavy-duty fans provide cooling for the chassis. These fans circulate air through the chassis as a means of lowering the chassis' internal temperature.

The SC116 chassis contains counter-rotating fans. Each fan unit is actually made up of two fans joined back-to-back, which rotate in opposite directions. This counter-rotating action generates exceptional airflow and works to dampen vibration levels.

The SC116 chassis provides two additional open fan housings, where additional system fans may be added for optimal cooling.

Adding a System Fan

1. Power down the system and remove the power cords from the rear of the power supplies. Remove the chassis cover as described in Section 5-3.
2. Remove the dummy fan from the fan tray.
3. Place the new fan into the vacant space in the housing while making sure the arrows on the top of the fan (indicating air direction) point in the same direction as the arrows on the other fans.
4. Connect the fan wires to the fan headers on the serverboard.
5. Plug the power cords into the rear of the power supplies, power up the system and check that the fan is working properly before replacing the chassis cover.

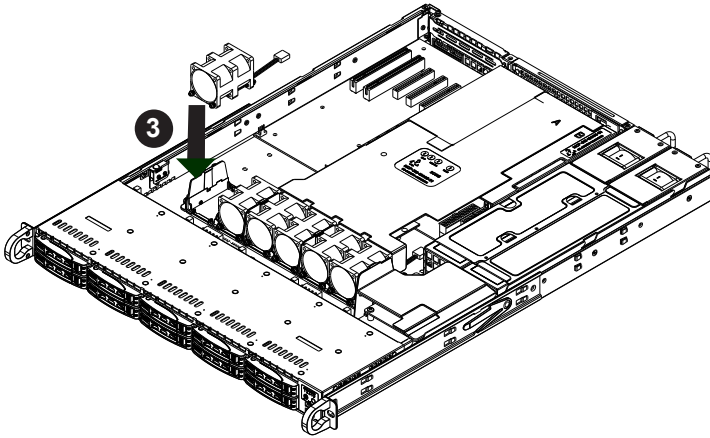


Figure 5-14. Chassis Fans

The SC116 chassis includes four pre-installed fans. Two additional open slots are available so that up to two more fans may be added if additional cooling is required.

Replacing a System Fan

1. If necessary, open the chassis while the power is running to determine which fan has failed. Never run the server for an extended period of time with the chassis open.
2. Power down the system and remove the power cords from the rear of the power supplies. Remove the chassis cover as described in Section 5-3.
3. Remove the failed fan's power cord from the serverboard.
4. Lift the failed fan from the chassis and pull it completely out from the serverboard.
5. Place the new fan into the vacant space in the housing while making sure the arrows on the top of the fan (indicating air direction) point in the same direction as the arrows on the other fans.
6. Reconnect the fan wires to the exact same chassis fan headers as the previous fan.
7. Plug the power cords into the rear of the power supplies, power up the system and check that the fan is working properly before replacing the chassis cover.

5-10 Power Supply

The SC116 chassis includes redundant 700W or 750W power supplies. These two power supplies are auto-switching capable. It automatically senses and operates at a 100v to 240v input voltage. An amber light will be illuminated on the power supply when the power is off. An illuminated green light indicates that the power supply is operating.

Power Supply Failure

If the power supply unit fails, it can be replaced without powering-down the server. Replacement units can be ordered directly from Supermicro (see the contact information in the Preface).

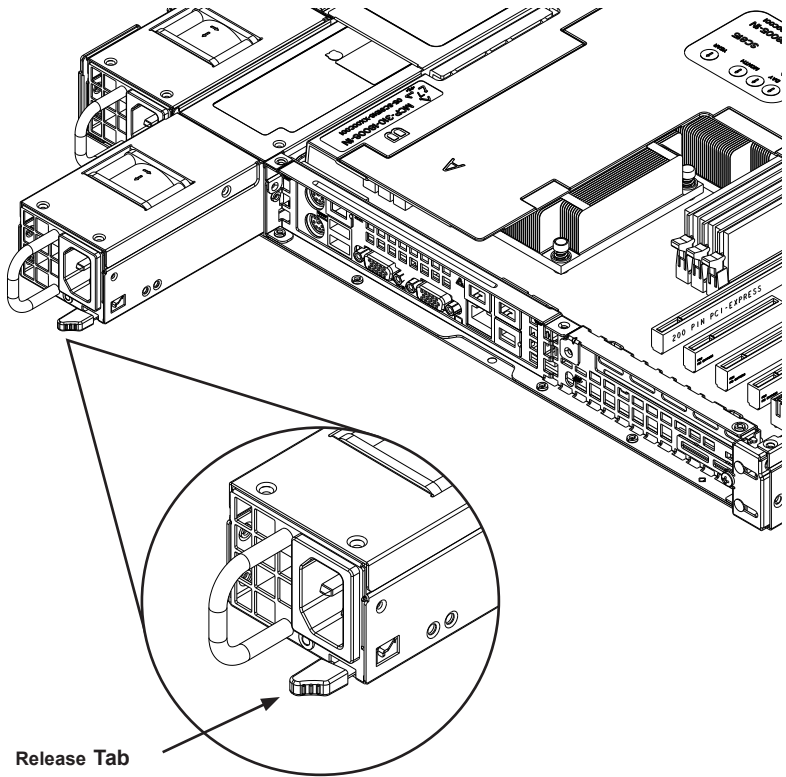


Figure 5-15. Removing the Power Supply

The SC116 chassis includes a redundant power supply which allows the server to continue running when one power supply has been removed.

Replacing the Power Supply

1. Push the release tab (on the back of the power supply) as illustrated.
2. Pull the power supply out using the handle provided.
3. Replace the failed power module with the same model.
4. Push the new power supply module into the power bay until it clicks into the locked position.

Notes

Chapter 6

Rack Installation

6-1 Overview

This chapter provides a quick setup for installing the system into a rack. Following these steps in the order given should enable you to have the system set up within a minimum amount of time.

6-2 Unpacking the System

You should inspect the box the chassis was shipped in and note if it was damaged in any way. If the chassis itself shows damage you should file a damage claim with the carrier who delivered it.

Decide on a suitable location for the rack unit that will hold your chassis. It should be situated in a clean, dust-free area that is well ventilated. Avoid areas where heat, electrical noise and electromagnetic fields are generated. You will also need it placed near a grounded power outlet. Be sure to read the Rack and Server Precautions in the next section.

6-3 Preparing for Setup

The box your chassis was shipped in should include two sets of rail assemblies, two rail mounting brackets and the mounting screws you will need to install the system into the rack. Please read this section in its entirety before you begin the installation procedure outlined in the sections that follow.

Choosing a Setup Location

- Leave enough clearance in front of the rack to enable you to open the front door completely (~25 inches).
- Leave approximately 30 inches of clearance in the back of the rack to allow for sufficient airflow and ease in servicing.
- This product is for installation only in a Restricted Access Location (dedicated equipment rooms, service closets and the like).

Rack Precautions

- Ensure that the leveling jacks on the bottom of the rack are fully extended to the floor with the full weight of the rack resting on them.
- In single rack installation, stabilizers should be attached to the rack.
- In multiple rack installations, the racks should be coupled together.
- Always make sure the rack is stable before extending a component from the rack.
- You should extend only one component at a time - extending two or more simultaneously may cause the rack to become unstable.

General Server Precautions

- Review the electrical and general safety precautions that came with the components you are adding to your chassis.
- Determine the placement of each component in the rack *before* you install the rails.
- Install the heaviest server components on the bottom of the rack first, and then work up.
- Use a regulating uninterruptible power supply (UPS) to protect the server from power surges, voltage spikes and to keep your system operating in case of a power failure.
- Allow the hot-plug hard drives and power supply modules to cool before touching them.
- Always keep the rack's front door and all panels and components on the servers closed when not servicing to maintain proper cooling.

Rack Mounting Considerations

Ambient Operating Temperature

If installed in a closed or multi-unit rack assembly, the ambient operating temperature of the rack environment may be greater than the ambient temperature of the room. Therefore, consideration should be given to installing the equipment in an environment compatible with the manufacturer's maximum rated ambient temperature (T_{mra}).

Reduced Airflow

Equipment should be mounted into a rack so that the amount of airflow required for safe operation is not compromised.

Mechanical Loading

Equipment should be mounted into a rack so that a hazardous condition does not arise due to uneven mechanical loading.

Circuit Overloading

Consideration should be given to the connection of the equipment to the power supply circuitry and the effect that any possible overloading of circuits might have on overcurrent protection and power supply wiring. Appropriate consideration of equipment nameplate ratings should be used when addressing this concern.

Reliable Ground

A reliable ground must be maintained at all times. To ensure this, the rack itself should be grounded. Particular attention should be given to power supply connections other than the direct connections to the branch circuit (for example the use of power strips and other devices).



To prevent bodily injury when mounting or servicing this unit in a rack, you must take special precautions to ensure that the system remains stable. The following guidelines are provided to ensure your safety:

- This unit should be mounted at the bottom of the rack if it is the only unit in the rack.
- When mounting this unit in a partially filled rack, load the rack from the bottom to the top with the heaviest component at the bottom of the rack.
- If the rack is provided with stabilizing devices, install the stabilizers before mounting or servicing the unit in the rack.

6-4 Rack Mounting Instructions

This section provides information on installing the SC116 chassis into a rack unit with the rails provided. There are a variety of rack units on the market, which may mean the assembly procedure will differ slightly. You should also refer to the installation instructions that came with the rack unit you are using.

NOTE: This rail will fit a rack between 26" and 33.5" deep.

Identifying the Sections of the Rack Rails

The chassis package includes two rack rail assemblies in the rack mounting kit. Each assembly consists of two sections: an inner fixed chassis rail that secures directly to the server chassis and an outer fixed rack rail that secures directly to the rack itself.

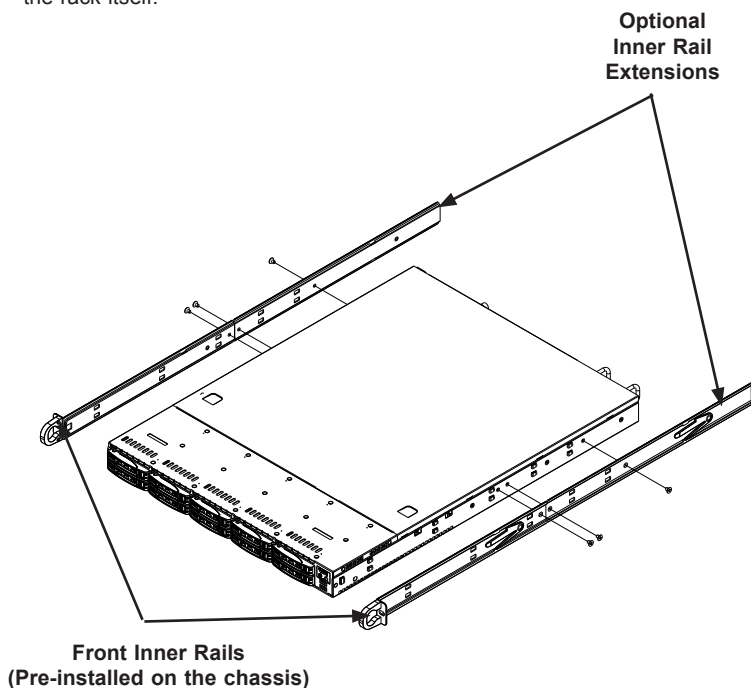
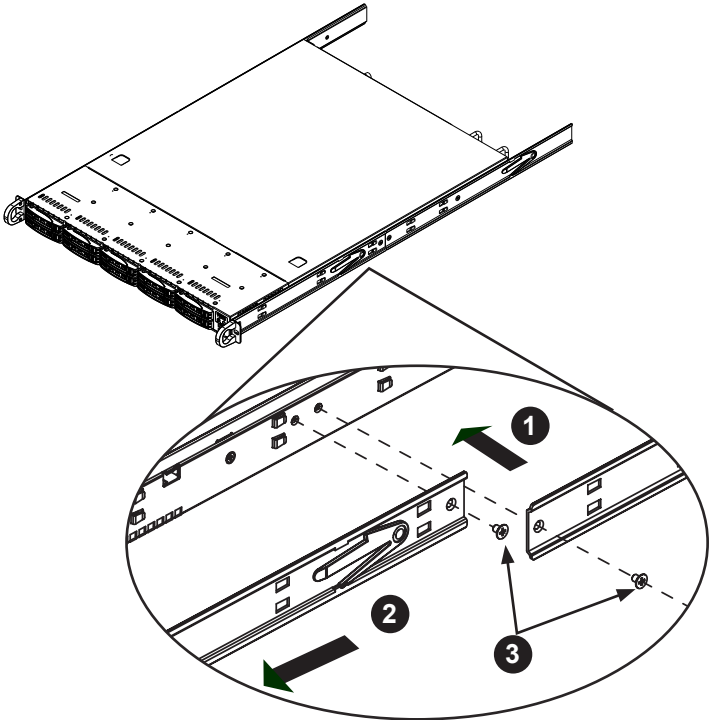


Figure 6-1. Identifying the Sections of the Rack Rails



Warning: do not pick up the server by the front handles. They are designed to pull the system from a rack only.



**Figure 6-2. Identifying the Sections of the Rack Rails
(right side rail shown)**

Inner Rail Extension (Optional)

The SC116 chassis includes a set of inner rails in two sections: inner rails and inner rail extensions. The inner rails are pre-attached and do not interfere with normal use of the chassis if you decide not to use a server rack. Attach the inner rail extension to stabilize the chassis within the rack.

Installing the Inner Rails (Optional)

1. Place the inner rail extensions on the side of the chassis aligning the hooks of the chassis with the rail extension holes. Make sure the extension faces "outward" just like the pre-attached inner rail.
2. Slide the extension toward the front of the chassis.
3. Secure the chassis with two screws as illustrated.
4. Repeat steps 1-3 for the other inner rail extension.

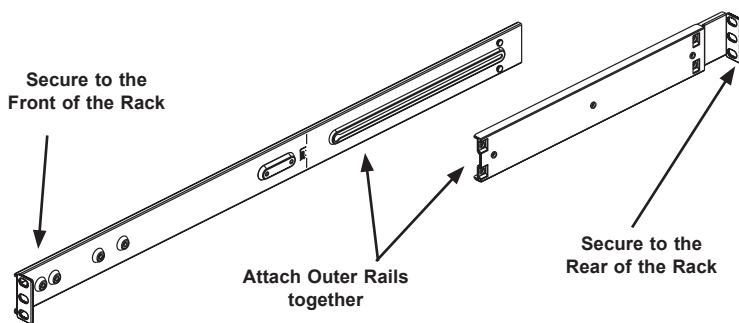


Figure 6-3. Assembling the Outer Rails

Outer Rails

Installing the Outer Rails to the Rack

1. Attach the shorter outer rail to the outside of the longer outer rail. You must align the pins with the slides. Both bracket ends must face the same direction.
2. Adjust both the shorter and longer rails to the proper distance so that the rail fits snugly into the rack.
3. Secure the long bracket to the front side of the outer rail with two M5 screws and the short bracket to the rear side of the outer rail with three M5 screws.
4. Repeat steps 1-4 for the left outer rail.

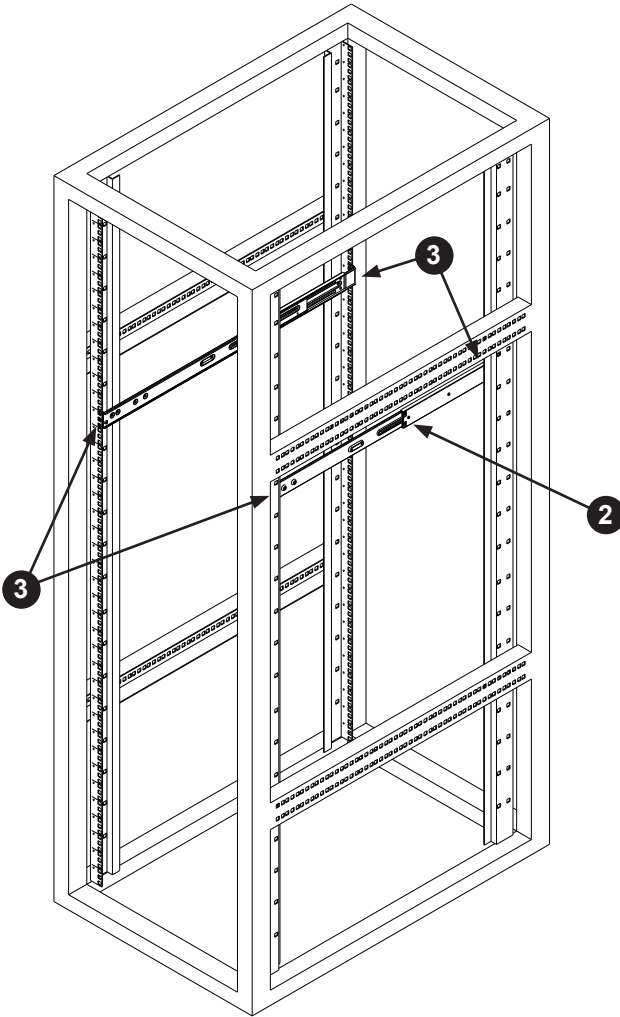


Figure 6-4. Installing the Outer Rails to the Server Rack



Stability hazard. The rack stabilizing mechanism must be in place, or the rack must be bolted to the floor before you slide the unit out for servicing. Failure to stabilize the rack can cause the rack to tip over.

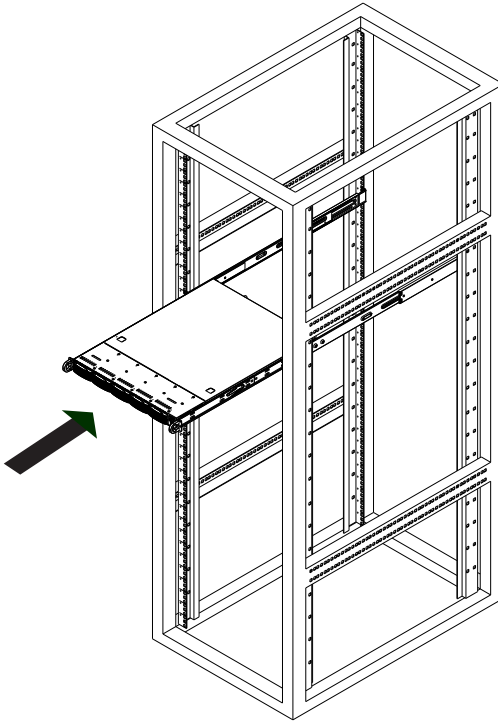


Figure 6-5. Installing the Rack Rails

Installing the Chassis into a Rack

1. Confirm that chassis includes the inner rails and inner rail extensions. Also confirm that the outer rails are installed on the rack.
2. Align the chassis inner rails with the front of the out rails on the rack.
3. Slide the chassis rails into the rack rails, keeping the pressure even on both sides (you may have to depress the locking tabs when inserting). When the server has been pushed completely into the rack, you should hear the locking tabs click into position.
4. (Optional) Insert and tighten the thumbscrews that hold the front of the server to the rack.

Note: figures are for illustrative purposes only. Always install servers into racks from the bottom up.

Installing the Chassis into a Telco rack

To install the chassis into a Telco or post-style rack, use two L-shaped brackets on either side of the chassis (four total). First, determine how far follow the server will extend out the front of the rack. Larger chassis should be positioned to balance the weight between front and back. If a bezel is included on your server, remove it. Then attach the two front brackets to each side of the chassis, then the two rear brackets positioned with just enough space to accommodate the width of the telco rack. Finish by sliding the chassis into the rack and tightening the brackets to the rack.

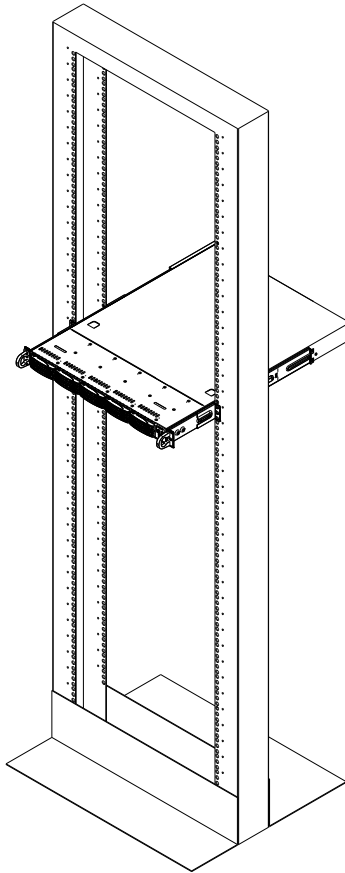


Figure 6-6. Installing the Chassis into a Telco Rack

Note: figures are for illustrative purposes only. Always install servers into racks from the bottom up.

Notes

Appendix A

SC116 Chassis Cables

A-1 Overview

This appendix lists supported cables for your system. It only includes the most commonly used components and configurations. For more compatible cables, refer to the manufacturer of the motherboard you are using and our website at: www.supermicro.com.

A-2 Cables Included with SC116 Chassis (SAS/SATA)

SC116TQ-R700CB, SC116TQ-R700UB, SC116TQ-R700WB			
Part #	Type	Length	Description
CBL-0227L	Round ribbon cable	48 cm	SATA round S-RA PBF
CBL-0157L	Round ribbon cable	40 cm	8-pin to 8-pin ribbon cable for SGPIO (supports up to 4 drives)
CBL-0335L	Round ribbon cable	70 cm	Front control cable, 20-pin to 20-pin with tube.
CBL-0206L	SATA cable	48 cm	48 cm SATA round S-S PBF

SC116AC-R700B			
Part #	Type	Length	Description
CBL-SAST- 0531	Cable	80 cm	Internal Mini-SAS HD to Mini-SAS HD 20 AWG, 12Gb/s
CBL-SAST- 0532	Cable	50 cm	Internal Mini-SAS HD to Mini-SAS HD 20 AWG, 12Gb/s
CBL-SAST- 0550	Cable	25 cm	Internal Mini-SAS HD to Mini-SAS HD 20 AWG, 12Gb/s
CBL-SAST- 0568	Cable	35` cm	Internal Mini-SAS HD to Mini-SAS HD 20 AWG, 12Gb/s

SC116AC2-R706WB, SC116TQ-R706WB, SC116AC-R700WB			
Part #	Type	Length	Description
CBL-0263L	Cable	77 cm	2 CH USB 2.0 10-pin to 10-pin cable, 77 cm. 26 AWG
CBL-0160L	Cable	6'	NEMA5-15P to C13 US power cord 16 AWG, PBF (default for high Watt)
CBL-0335L	Cable	73 cm	Front control cable 20-pin to 20-pin with tube, PBF. 28 AWG

A-3 Compatible Cables

These cables are compatible with the SC116 chassis.

This section lists cables included with the SC116 chassis packages.

Alternate SAS/SATA Cables

Some compatible motherboards have different connectors. If your motherboard has only one SAS connector that the SAS/SATA cables must share, use one of the following cables. These cables must be purchased separately.

Cable Name: SAS Cable

Quantity: 1

Part #: CBL-0175L

Alt. Name: "Big Four"

Description: This cable has one SFF-8484 (32-pin) connector on one end and four SAS connectors (seven pins each) at the other. This cable connects from the host (motherboard or other controller) to the backplane SAS hard drive port.

Cable Name: SAS Cable

Quantity: 1

Part #: CBL-0116

Alt. Name: iPass or "Small Four"

Description: This cable has one iPass (SFF-8087/Mini-SAS) connector (36-pin) at one end and four SAS connectors on the other end. This cable connects from the host (motherboard or other controller) to the backplane SAS hard drive port.

Extending Power Cables

Although Supermicro chassis are designed with to be efficient and cost-effective, some compatible motherboards have power connectors located in different areas.

To use these motherboards you may have to extend the power cables to the motherboards. To do this, use the following chart as a guide.

Power Cable Extenders		
Number of Pins	Cable Part #	Length
24-pin	CBL-0042	7.9" (20 cm)
20-pin	CBL-0059	7.9" (20 cm)
8-pin	CBL-0062	7.9" (20 cm)
4-pin	CBL-0060	7.9" (20 cm)

Front Panel to the Motherboard

The SC116 chassis includes a cable to connect the chassis front panel to the motherboard. If your motherboard uses a different connector, use the following list to find a compatible cable.

Front Panel to Motherboard Cable (Ribbon Cable)		
Number of Pins (Front Panel)	Number of Pins (Motherboard)	Cable Part #
16-pin	16-pin	CBL-0049
16-pin	20-pin	CBL-048
20-pin	20-pin	CBL-0047
16-pin	Split*	CBL-0068
20-pin	Split*	CBL-0067

* Split cables: Use these cables if your motherboard has different pin definitions than a Supermicro motherboard.

Appendix B

SC116 Power Supply Specifications

This appendix lists power supply specifications for your chassis system.

700W (80 PLUS Gold Certified)	
MFR Part #	PWS-703P-1R
AC Voltage	700W: 100 - 140 V, 50-60 Hz, 8.5 - 6 Amp 750W: 180 - 240 V, 60-50 Hz, 5 - 3.8 Amp
DC Output +5V standby	3 Amp
DC Output +12V	700W: 58 Amp at 100-140V 750W: 62 Amp at 180-240Vp
With Power Distributor	+5V: 25 Amp +3.3V: 25 Amp -12V: 0.6 Amp



700W/750W (80 PLUS Platinum Certified)	
MFR Part #	PWS-706P-1R
AC Voltage	700W: 100 - 140 V, 50-60 Hz, 8.5 - 6 Amp 750W: 180 - 240 V, 60-50 Hz, 5 - 3.8 Amp
DC Output +5V standby	3 Amp
DC Output +12V	700W: 58 Amp at 100-140V 750W: 62 Amp at 180-240Vp
With Power Distributor	+5V: 25 Amp +3.3V: 12 Amp -12V: 0.6 Amp



Appendix C

BPN-SAS-116TQ Backplane Specifications

To avoid personal injury and property damage, carefully follow all the safety steps listed below when accessing your system or handling the components.

C-1 ESD Safety Guidelines

Electrostatic Discharge (ESD) can damage electronic components. To prevent damage to your system, it is important to handle it very carefully. The following measures are generally sufficient to protect your equipment from ESD.

- Use a grounded wrist strap designed to prevent static discharge.
- Touch a grounded metal object before removing a component from the antistatic bag.
- Handle the backplane by its edges only; do not touch its components, peripheral chips, memory modules or gold contacts.
- When handling chips or modules, avoid touching their pins.
- Put the card and peripherals back into their antistatic bags when not in use.

C-2 General Safety Guidelines

- Always disconnect power cables before installing or removing any components from the computer, including the BPN-SAS-116TQ backplane.
- Disconnect the power cable before installing or removing any cables from the backplane.
- Make sure that the BPN-SAS-116TQ backplane is securely and properly installed on the motherboard to prevent damage to the system due to power shortage.

C-3 An Important Note to Users

All images and layouts shown in this user's guide are based upon the latest backplane revision available at the time of publishing. The card you have received may or may not look exactly the same as the graphics shown in this manual.

C-4 Introduction to the BPN-SAS-116TQ Backplane

The BPN-SAS-116TQ backplane has been designed to utilize the most up-to-date technology available, providing your system with reliable, high-quality performance.

This manual reflects BPN-SAS-116TQ Revision 1.00, the most current release available at the time of publication. Always refer to the Supermicro Web site at www.supermicro.com for the latest updates, compatible parts and supported configurations.

C-5 Rear Connectors

The following connectors are on the side of the backplane that faces the rear of the chassis. They are marked by silkscreen labels.

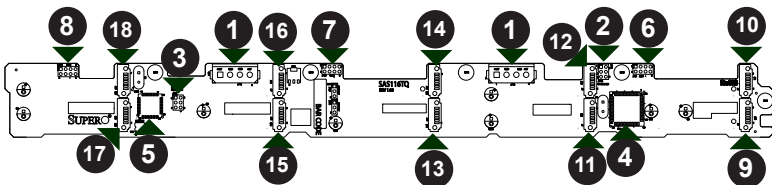


Figure C-1. Rear Connectors

Front Connectors

- | | |
|---|-----------------------|
| 1. Power Connectors (4-pin): JP10, JP13 | 10. Connector #1: J6 |
| 2. Upgrade #1: JP46 | 11. Connector #2: J7 |
| 3. Upgrade #2: JP55 | 12. Connector #3: J8 |
| 4. MG9072 Chip | 13. Connector #4: J10 |
| 5. MG9071 Chip | 14. Connector #5: J12 |
| 6. Sideband #1: JP51 | 15. Connector #6: J14 |
| 7. Sideband #2: JP52 | 16. Connector #7: J16 |
| 8. Sideband #3: JP53 | 17. Connector #8: J18 |
| 9. Connector #0: J5 | 18. Connector #9: J20 |

C-6 Rear Connector and Pin Definitions

#1. Backplane Main Power Connectors

The 4-pin connectors designated JP10 and JP13, provide power to the backplane. See the table on the right for pin definitions.

Backplane Main Power 4-Pin Connectors	
Pin#	Definition
1	+12V
2 and 3	Ground
4	+5V

#2. - #3. Upgrade Connector

The upgrade connectors, designated JP46 and JP55 are for diagnostic purposes only. This connector should only be used by a certified and experienced technician.

#4.. - #5. MG9071 and MG9072 Chips

The MG9071 and MG9072 chips are enclosure management chips that support the SGPIO controller and SGPIO protocols.

#6. - #8. Sideband Headers

The sideband headers are designated JP51, JP52 and JP53. For SGPIO to work properly, you must connect an 8-pin sideband cable. See the table to the right for pin definitions.

Sideband Headers			
Pin #	Definition	Pin #	Definition
2	SDIN/ (SB5)	1	Controller ID (SB6)
4	SDOUT (SB4)	3	GND (SB2)
6	GND (SB3)	5	SLOAD/ (SB1)
8	Backplane ID (SB7)	7	SCLOCK/ (SB0)

#9. - #18. SAS/SATA Connectors

The SAS/SATA connectors are numbered 0 through 9. Each may be connected to the system with a SAS or SATA cable.

C-7 Rear Jumper Locations and Pin Definitions

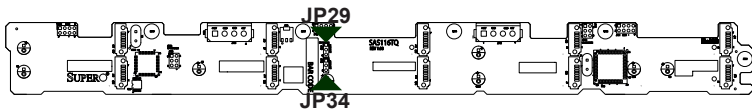
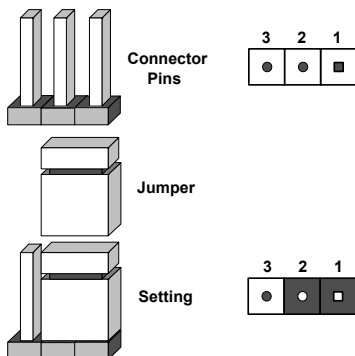


Figure C-2. Rear Jumpers

Explanation of Jumpers

To modify the operation of the backplane, jumpers can be used to choose between optional settings. Jumpers create shorts between two pins to change the function of the connector. Pin 1 is identified with a square solder pad on the printed circuit board. Note: On two pin jumpers, "Closed" means the jumper is on and "Open" means the jumper is off the pins.



Jumper Settings		
Jumper	Jumper Settings	Note
JP29	Pins 2-3: Default Pins 1-2: Reset	MG9072 chip reset
JP34	Pins 2-3: Default Pins 1-2: Reset	MG9071 chip reset

C-8 Front Connectors and LED Indicators

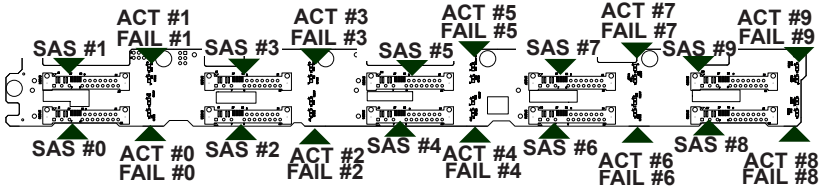


Figure C-3. Front Connectors and LEDs

Rear SAS/SATA Connectors and LEDs				
Rear Connector	Connector Number	SAS/SATA Drive Number	Hard Drive Activity	Failure LED
SAS #0	J1	SAS/SATA HDD #0	D12	D5
SAS #1	J2	SAS/SATA HDD #1	D13	D6
SAS #2	J3	SAS/SATA HDD #2	D14	D7
SAS #3	J4	SAS/SATA HDD #3	D15	D8
SAS #4	J9	SAS/SATA HDD #4	D18	D19
SAS #5	J11	SAS/SATA HDD #5	D21	D20
SAS #6	J13	SAS/SATA HDD #6	D22	D23
SAS #7	J15	SAS/SATA HDD #7	D25	D26
SAS #8	J17	SAS/SATA HDD #8	D48	D24
SAS #9	J19	SAS/SATA HDD #9	D49	D47

Appendix D

BPN-SAS3-116A Backplane Specifications

To avoid personal injury and property damage, carefully follow all the safety steps listed below when accessing your system or handling the components.

D-1 ESD Safety Guidelines

Electrostatic Discharge (ESD) can damage electronic components. To prevent damage to your system, it is important to handle it very carefully. The following measures are generally sufficient to protect your equipment from ESD.

- Use a grounded wrist strap designed to prevent static discharge.
- Touch a grounded metal object before removing a component from the antistatic bag.
- Handle the backplane by its edges only; do not touch its components, peripheral chips, memory modules or gold contacts.
- When handling chips or modules, avoid touching their pins.
- Put the card and peripherals back into their antistatic bags when not in use.

D-2 General Safety Guidelines

- Always disconnect power cables before installing or removing any components from the computer, including the backplane.
- Disconnect the power cable before installing or removing any cables from the backplane.
- Make sure that the backplane is securely and properly installed on the motherboard to prevent damage to the system due to power shortage.

D-3 A Note to Users

All images and layouts in this user's guide are based upon the latest PCB revision available at the time of publishing. The backplane you have received may not look exactly the same as the graphics in this manual.

Connectors and Jumpers

D-4 Rear Connectors

The following connectors are on the side of the backplane that faces the rear of the chassis. They are marked by silkscreen labels.

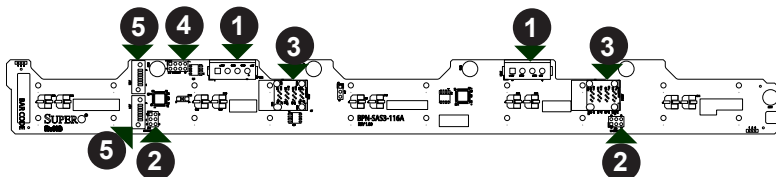


Figure D-1. Rear Connectors

- | | |
|--|-----------------------------------|
| 1. Power Connectors (4-pin): JPW1 and JPW2 | 3. SAS3 Connectors: JSM1 and JSM2 |
| 2. Upgrade Connectors: JP3 and JP4 | 4. Sideband Connector: T-SGPIO1 |
| | 5. SAS2 Connectors: JS1 and JS2 |

D-5 Rear Connector Definitions

1. Backplane Main Power Connectors

The 4-pin connectors, designated JPW1 and JPW2 provide power to the backplane. See the table on the right for pin definitions.

Backplane Main Power 4-Pin Connector	
Pin#	Definition
1	+12V
2 and 3	Ground
4	+5V

2. Upgrade Connectors

The upgrade connectors are designated JP3 (U6) and JP4 (U7) and are used for manufacturers diagnostic purposes only.

3. SAS Connectors

The SAS connectors are used to connect the SAS drive cables and are designated JSM1 and JSM2.

Sideband Definitions (JSM1 - JSM2)			
Pin #	Definition	Pin #	Definition
A0	SB0	C1	SB4
B2	SB1	D1	SB5
C2	SB2	D2	SB6
B1	SB3	A1	SB7

4. Sideband Connector

This is the sideband connector for SAS2 and is designated T-SGPIO1.

5. SAS2 Connectors

The SAS2 connectors are designated JS1 (SAS2 in #1) and JS2 (SAS2 in #2).

D-6 Rear Jumper

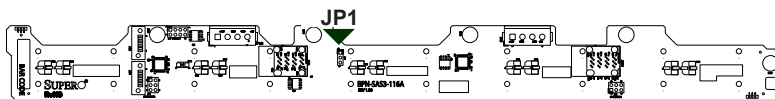
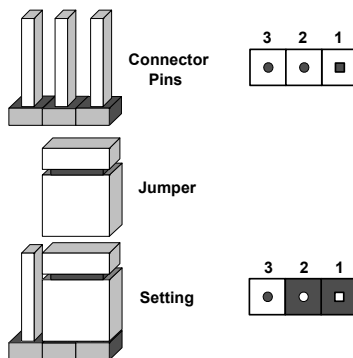


Figure D-2. Rear Jumper

Front Jumper	
Jumper	Description
JP1	Pins 1-2: ATMEL chipset reset Pins 2-3: No reset (default)

Explanation of Jumpers

To modify the operation of the backplane, jumpers can be used to choose between optional settings. Jumpers create shorts between two pins to change the function of the connector. Pin 1 is identified with a square solder pad on the printed circuit board. Note: On two pin jumpers, "Closed" means the jumper is on and "Open" means the jumper is off the pins.



D-7 Front Connectors and LED Indicators

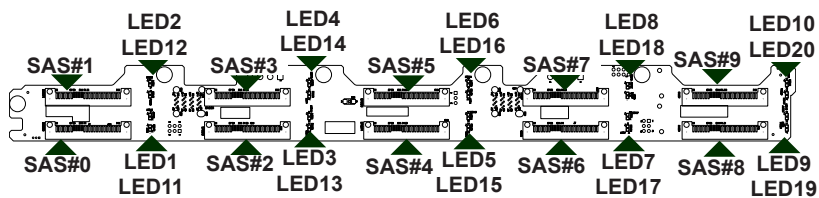


Figure D-3. Rear Connectors and LEDs

Rear SAS2/SAS3 Connectors	
Rear Connector	SAS Drive Number
SAS#0	SAS/SATA HDD #0
SAS#1	SAS/SATA HDD #1
SAS#2	SAS/SATA HDD #2
SAS#3	SAS/SATA HDD #3
SAS#4	SAS/SATA HDD #4
SAS#5	SAS/SATA HDD #5
SAS#6	SAS/SATA HDD #6
SAS#7	SAS/SATA HDD #7
SAS#8	SAS/SATA HDD #8
SAS#9	SAS/SATA HDD #9

Rear LED Indicators		
Rear Connector	Activity LED	Failure LED
SAS#0	LED1	LED11
SAS#1	LED2	LED12
SAS#2	LED3	LED13
SAS#3	LED4	LED14
SAS#4	LED5	LED15
SAS#5	LED6	LED16
SAS#6	LED7	LED17
SAS#7	LED8	LED18
SAS#8	LED9	LED19
SAS#9	LED10	LED20

Appendix E

BPN-SAS3-116A-N2 Backplane Specifications

This chapter offers guidelines for personal and equipment safety, and notes about the BPN-SAS3-116A-N2 version documented in this manual.

E-1 ESD Safety Guidelines

Electrostatic Discharge (ESD) can damage electronic components. To prevent damage to your system, it is important to handle it very carefully. The following measures are generally sufficient to protect your equipment from ESD.

- Use a grounded wrist strap designed to prevent static discharge.
- Touch a grounded metal object before removing a component from the antistatic bag.
- Handle the backplane by its edges only; do not touch its components, peripheral chips, memory modules or gold contacts.
- When handling chips or modules, avoid touching their pins.
- Put the card and peripherals back into their antistatic bags when not in use.

E-2 General Safety Guidelines

- Always disconnect power cables before installing or removing any components from the computer, including the backplane.
- Disconnect the power cable before installing or removing any cables from the backplane.
- Make sure that the backplane is securely and properly installed on the motherboard to prevent damage to the system due to power shortage.

E-3 Version Information

The BPN-SAS3-116A-N2 backplane has been designed to utilize the most up-to-date technology available, providing your system with reliable, high-quality performance.

This manual reflects BPN-SAS3-116A-N2, Revision 1.10, the most current release available at the time of publication. Refer to the Supermicro Web site at www.supermicro.com for the latest updates, compatible parts and supported configurations.

Connectors, Jumpers and LEDs

This manual covers BPN-SAS3-116A-N2 with NVMe capabilities.

E-4 Rear Connector Locations

The following connectors are on the side of the backplane that faces the rear of the chassis. They are marked by silkscreen labels.

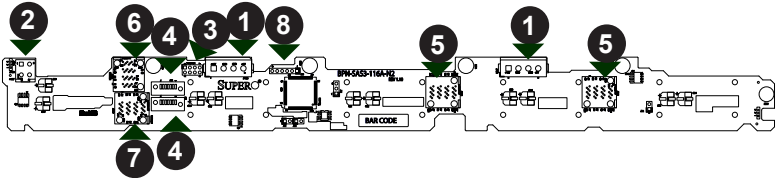


Figure E-1. Rear Connector Locations

- | | |
|--|--|
| 1. Power Connectors: JPW1, JPW2
(4-pin) | 6. NVMe Connectors: JSM4 |
| 2. Power Connector: JPW3 (2x2 pin) | 7. NVMe Connectors: JSM3 |
| 3. Sideband Connector: T-SGPIO1
(6-pin) | 8. CPLD programming port: J23
(6-pin) |
| 4. SAS2 Connectors: JS1 and JS2 | |
| 5. SAS3 Connectors: JSM1, JSM2 | |

E-5 Rear Connector Definitions

1. Backplane Main Power Connectors

The 4-pin connectors, designated JPW1 and JPW2, provide power to the backplane. See the table on the right for pin definitions.

Main Power 4-Pin Connector	
Pin#	Definition
1	+12V
2 and 3	Ground
4	+5V

2. DC Power Input

This connector is the +12V DC power input connector for the NVMe solid state drive, which requires more power than typical SAS/SATA drives.

4-Pin Power Connector (JPW3)	
Pin#	Definition
1, 2	Ground
3, 4	+12V

3. Sideband Connector

This is the sideband connector for SAS2 and is designated T-SGPIO1.

Sideband Connector (T-SGPIO1)			
Pin	Definition	Pin	Definition
2	SDataIn (SGPIO Data In)	1	N/C
4	SDataOut (SGPIO Data Out)	3	GND
6	GND	5	SLoad (SGPIO Load)
8	N/C	7	SClock (SGPIO Clock)

4. SAS2 Connectors

The SAS2 connectors are designated JS1 (SAS2 in #1) and JS2 (SAS2 in #2).

5. SAS3 Connectors

JSM1 and JSM2 provide connections for the SAS drive cables. Pins are defined according the SAS standard.

6-7. NVMe Connectors

Two NVMe connectors are used to connect the NVMe drive cables. Each connector controls one NVMe SSD. Pins are defined according the NVMe standard.

8. CPLD Upgrade Port

The JP23 connector is used only by manufacturing to upgrade firmware.

E-6 Rear Jumpers

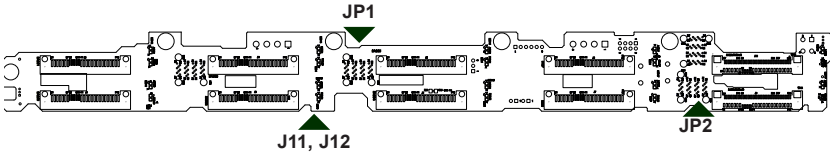
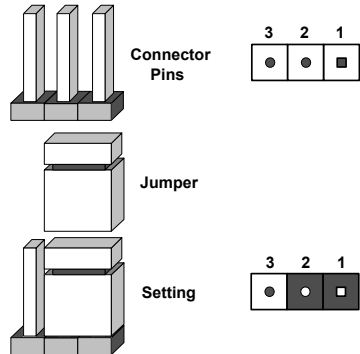


Figure E-2. Rear Jumpers

Jumper Settings		
Jumper	Settings	Note
JP1	Pins 1-2 (default)	Used only by manufacturing
JP2	Closed: Connects NVMe#0 to CPU1, and NVMe#1 to CPU2 Open: NVMe#0 and #1 to CPU1	NVMe mapping to CPU
J11, J12	Open	Reserved for future

Explanation of Jumpers

To modify the operation of the backplane, jumpers can be used to choose between optional settings. Jumpers create shorts between two pins to change the function of the connector. Pin 1 is identified with a square solder pad on the printed circuit board. **Note:** On two pin jumpers, "Closed" means the jumper is on and "Open" means the jumper is off the pins.



E-7 Front Connectors and LED Indicators

Connectors for SAS drive numbers #0 through #7 are SAS3. SAS #8 and #9 are hybrid ports that support SAS2 or NVMe.

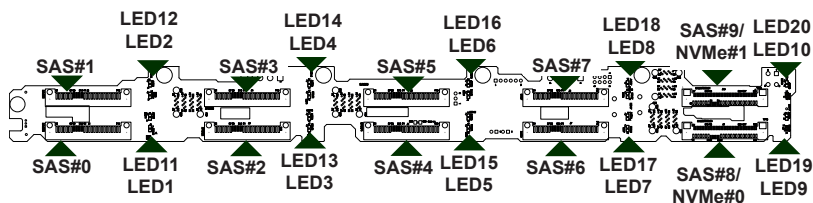


Figure E-3. Front Connectors and LEDs

Front SAS/SATA Connectors and LED Indicators			
Drive Number	Label	HDD Activity LED (blue)	Failure LED (red)
SAS #0	J1	LED11	LED1
SAS #1	J2	LED12	LED2
SAS #2	J3	LED13	LED3
SAS #3	J4	LED14	LED4
SAS #4	J5	LED15	LED5
SAS #5	J6	LED16	LED6
SAS #6	J7	LED17	LED7
SAS #7	J8	LED18	LED8
SAS #8/NVMe #0*	J9	LED19	LED9**
SAS #9/NVMe #1*	J10	LED20	LED10**

*Hybrid ports; NVMe or SAS

**The failure LED is bi-color. Red indicates Failure/Rebuild; green indicates NVMe SSD ready to remove.

Notes

Disclaimer (cont.)

The products sold by Supermicro are not intended for and will not be used in life support systems, medical equipment, nuclear facilities or systems, aircraft, aircraft devices, aircraft/emergency communication devices or other critical systems whose failure to perform be reasonably expected to result in significant injury or loss of life or catastrophic property damage. Accordingly, Supermicro disclaims any and all liability, and should buyer use or sell such products for use in such ultra-hazardous applications, it does so entirely at its own risk. Furthermore, buyer agrees to fully indemnify, defend and hold Supermicro harmless for and against any and all claims, demands, actions, litigation, and proceedings of any kind arising out of or related to such ultra-hazardous use or sale.