

CONTACT INFORMATION

- Website: www.supermicro.com
- General Information: marketing@supermicro.com
- Technical Support: support@supermicro.com
- Phone: +1 (408) 503-8000, Fax: +1 (408) 503-8008

FOR YOUR SYSTEM TO WORK PROPERLY, PLEASE DOWNLOAD APPROPRIATE DRIVERS/IMAGES/USER'S MANUAL FROM THE LINKS BELOW:

- Manuals: <http://www.supermicro.com/support/manuals>
- Drivers & Utilities: ftp://ftp.supermicro.com/CDR_Images/CDR-X11-UP/
- Safety: http://www.supermicro.com/about/policies/safety_information.cfm

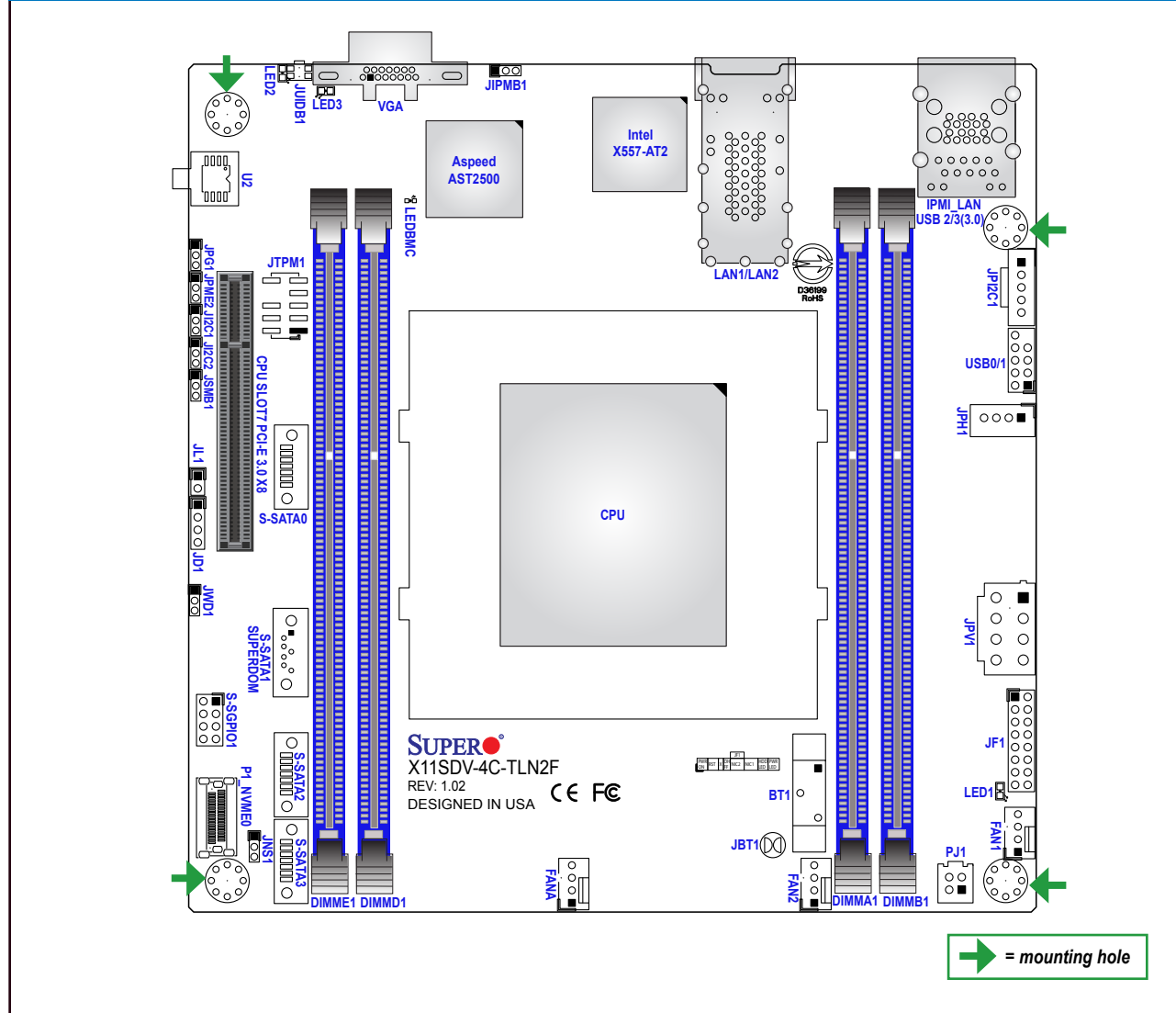
PACKAGE CONTENTS

- One (1) Supermicro Motherboard
- One (1) ATX Power Signal Cable
- One (1) OCulink to U.2 Cable
- One (1) Quick Reference Guide



- Four (4) SATA Cables
- One (1) I/O Shield

Motherboard Layout and Features



Jumpers and Connectors

Jumpers		
Jumper	Description	Default
JBT1	CMOS Clear	Open: Normal, Short: Clear CMOS
J12C1, J12C2	SMB to PCI-E Slots Enable/Disable	Pins 2-3 (Disabled)
JNS1	OCulink to 4x SATA or PCI-E x4 Selection	Pins 2-3 (PCI-E x4)
JPG1	Onboard VGA Enable/Disable	Pins 1-2 (Enabled)
JPME2	ME Manufacturing Mode	Pins 1-2 (Normal)
JWD1	Watch Dog	Pins 1-2 (Reset)

Connectors	
Connector	Description
BT1	Onboard Battery
FAN1 - FAN2, FANA	CPU/System Fan Connectors
IPMI_LAN	Dedicated IPMI LAN Port
JD1	Speaker (Pins 1-4: Speaker)
JF1	Front Control Panel Header
JIPMB1	System Management Bus Header (for IPMI only)
JL1	Chassis Intrusion Header
JPC1	Power I/C System Management Bus (Power SMB) Header
JPH1	4-pin Power Connector for HDD use
JPV1	8-pin 12V DC Power Input (Required for 12V only or 24-pin ATX power)
JSMB1	System Management Bus Header
JTPM1	Trusted Platform Module (TPM)/Port 80 Header
JUIDB1	Unit Identifier Button
LAN1 - LAN2	10Gigabit Ethernet (RJ45) Ports
P1_NVME0	OCuLink Connector (to 4x SATA or PCI-E x4)
PJ1	Header for ATX Power Signal 5VSTBY/Power ON/Power GOOD/Ground (CBL-PWEX-1063)
S-SATA0 - S-SATA3	SATA 3.0 Ports
S-SGPIO1	Serial General Purpose I/O Header
SLOT7	PCI-E 3.0 x8 Slot
USB0/1	USB 2.0 Header
USB2/3	Back Panel USB 3.0 Ports
VGA	VGA Port

CPU Support

The X11SDV-4C/8C/8C+/12C/16C/16C+-TLN2F motherboard supports an Intel® 2nd Generation Xeon® D-2100 series processor with a TDP of up to 100W.

Memory Support

The X11SDV-4C/8C/8C+/12C/16C/16C+-TLN2F motherboard supports up to 256GB of ECC RDIMM and 512GB of ECC LRDIMM DDR4 memory.

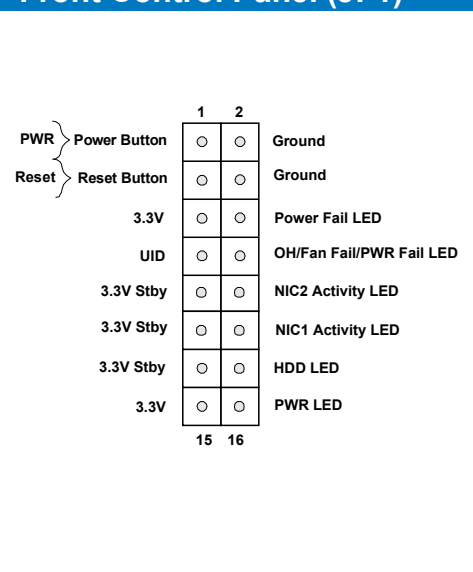
DIMM Memory Installation

When installing memory modules, the DIMM slots should be populated in the following order: DIMMA1, DIMMB1, DIMMD1, DIMME1.

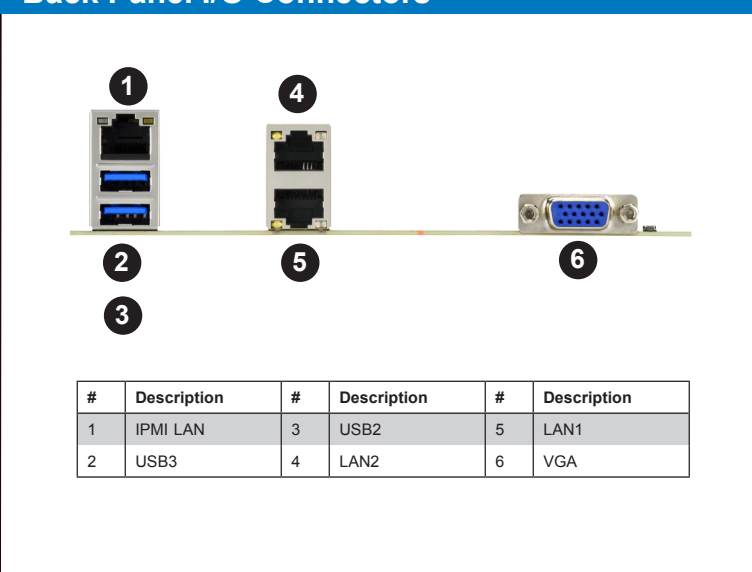
- Always use DDR4 DIMM modules of the same type, size, and speed.
- Mixed DIMM speeds can be installed. However, all DIMMs will run at the speed of the slowest DIMM.
- The motherboard will support odd-numbered modules (one or three modules installed). However, for best memory performance, install DIMM modules in pairs to activate memory interleaving.

Recommended Population (Balanced)				
DIMMA1	DIMMB1	DIMMD1	DIMME1	Total System Memory
8GB				8GB
8GB	8GB			16GB
8GB	8GB	8GB		24GB
8GB	8GB	8GB	8GB	32GB
16GB	16GB			32GB
16GB	16GB	16GB		48GB
16GB	16GB	16GB	16GB	64GB
32GB	32GB			64GB
32GB	32GB	32GB		96GB
32GB	32GB	32GB	32GB	128GB
64GB	64GB			128GB
64GB	64GB	64GB		192GB
64GB	64GB	64GB	64GB	256GB
128GB	128GB			256GB
128GB	128GB	128GB	128GB	512GB

Front Control Panel (JF1)



Back Panel I/O Connectors



LED Indicators

LED	Description	Status
LED1	Power LED	Solid Green: Power On
LED2	UID LED	Solid Blue: Unit Identified
LED3	Overheat (OH)/PWR Fail/Fan Fail LED	Solid Red: Overheat Blinking Red: PWR Fail or Fan Fail
LEDBMC	BMC Heartbeat	Blinking Green: BMC Normal

Note: Graphics shown in this quick reference guide are for illustration only. Your components may or may not look exactly the same as drawings shown in this guide.

Note: Refer to Chapter 1 of the User Manual for detailed information on jumpers, connectors, and LED indicators.

Note: Refer to Chapter 2 of the User Manual for detailed information on memory support and CPU/motherboard installation instructions.