



SUPER™

Server Quality, Built for Gaming

C9Z390-CGW

C9Z390-CG

ENGLISH

繁體中文

简体中文

日本語

한국어

QUICK REFERENCE GUIDE

Revision 1.0 a

Standardized Warning Statements

Motherboards

About Standardized Warning Statements

The following statements are industry standard warnings, provided to warn the user of situations which can potentially cause a bodily injury. Should you have questions or experience difficulty, contact Supermicro's Technical Support Department for assistance. Only certified technicians should attempt to install or configure components.

Read this section in its entirety before installing or configuring components in the Supermicro chassis.



WARNING: This product can expose you to chemicals including lead, known to the State of California to cause cancer and birth defects or other reproductive harm. For more information, go to www.P65Warnings.ca.gov.

Battery Handling



Warning!

There is a danger of explosion if the battery is replaced incorrectly. Replace the battery only with the same or an equivalent type recommended by the manufacturer. Dispose of used batteries according to the manufacturer's instructions.

警告

電池更換不當會有爆炸危險。請使用製造商建議之相同或功能相當的電池更換原有電池。請按照製造商的說明指示處理廢棄舊電池。

警告

電池更換不當會有爆炸危險。請只使用同類電池或製造商推薦的功能相當的電池更換原有電池。請按製造商的說明處理廢舊電池。

電池の取り扱い

電池交換が正しく行われなかった場合、破裂の危険性があります。交換する電池はメーカーが推奨する型、または同等のものを使用下さい。使用済電池は製造元の指示に従って処分して下さい。

경고!

배터리가 올바르게 교체되지 않으면 폭발의 위험이 있습니다. 기존 배터리와 동일하거나 제조사에서 권장하는 동등한 종류의 배터리로만 교체해야 합니다. 제조사의 안내에 따라 사용된 배터리를 처리하여 주십시오.

هناك خطر من انفجار في حالة استبدال البطارية بطريقة غير صحيحة فعليك استبدال البطارية فقط بنفس النوع أو ما يعادلها كما أوصت به الشركة المصنعة تخلص من البطاريات المستعملة وفقا لتعليمات الشركة الصانعة

限用物質含有情況標示聲明書

Declaration of the Presence Condition of the Restricted Substances Marking

設備名稱：主機板 / Motherboard Equipment name		型號（型式）：C9Z390-CGW/C9Z390-CG Type designation (Type)				
單元 Unit	限用物質及其化學符號 Restricted substances and its chemical symbols					
	鉛Lead (Pb)	汞Mercury (Hg)	鎘Cadmium (Cd)	六價鉻 Hexavalent chromium (Cr ⁺⁶)	多溴聯苯 Polybrominated biphenyls (PBB)	多溴二苯醚 Polybrominated diphenyl ethers (PBDE)
主機板 (Motherboard)	—	○	○	○	○	○
<p>備考1. “超出0.1 wt %”及“超出0.01 wt %”係指限用物質之百分比含量超出百分比含量基準值。</p> <p>Note 1 : “Exceeding 0.1 wt %” and “exceeding 0.01 wt %” indicate that the percentage content of the restricted substance exceeds the reference percentage value of presence condition.</p> <p>備考2. “○”係指該項限用物質之百分比含量未超出百分比含量基準值。</p> <p>Note 2 : “○” indicates that the percentage content of the restricted substance does not exceed the percentage of reference value of presence.</p> <p>備考3. “—”係指該項限用物質為排除項目。</p> <p>Note 3 : The “—” indicates that the restricted substance corresponds to the exemption.</p>						

AMI BIOS POST Codes

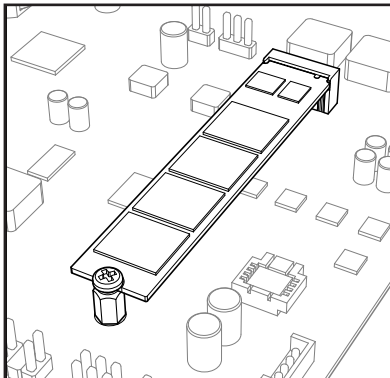
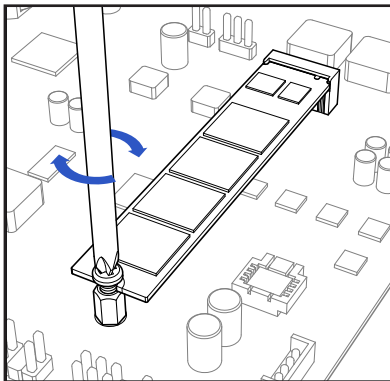
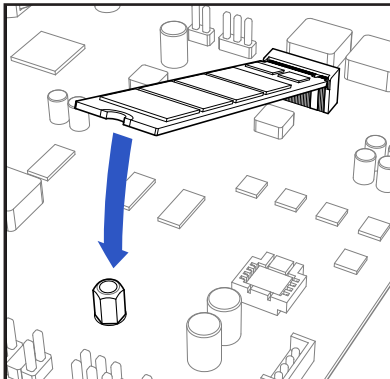
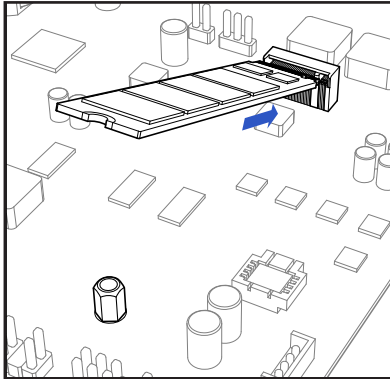
About AMI BIOS POST Codes

The table below lists some of AMI BIOS POST codes. For more information, refer to https://www.supermicro.com.tw/manuals/other/AMI_BIOS_POST_Codes_for_Grantley_Motherboards.pdf.

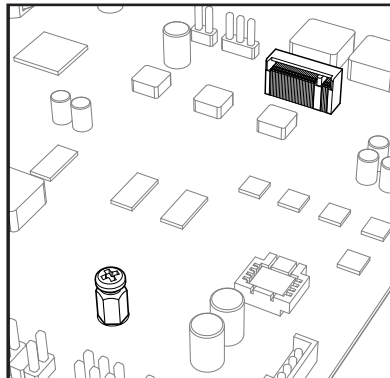
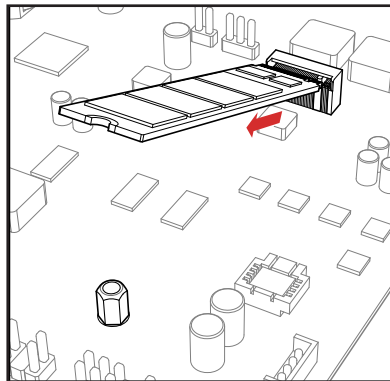
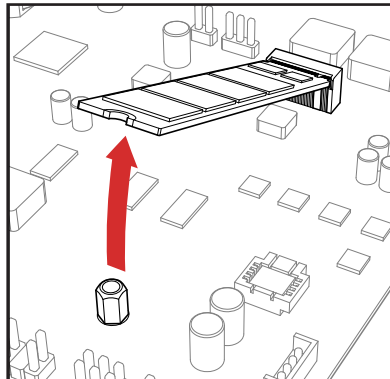
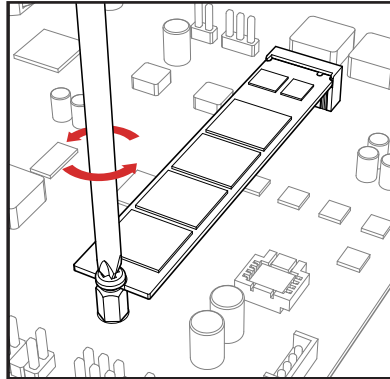
Code	Description
0x32	CPU post-memory initialization is started
0x55	No Memory detected or memory failed
0x63	CPU DXE initialization is started
0x69	North Bridge DXE initialization is started
0x70	South Bridge DXE initialization is started
0x92	PCI Bus initialization is started
0x99	Super IO Initialization
0x9A	USB initialization is started
0xA0	IDE initialization is started
0xA9	Boot into BIOS setup menu
0xAE	Legacy Boot event
0xB2	Legacy Option ROM Initialization
0xB4	USB hot plugged
0xD6	No VGA device
0xD7	No Keyboard plugged in
0xF2	Recovery process started
0xF9	Recovery capsule is not found

M.2 Device Installation and Removal Instructions

M.2 Device Installation



M.2 Device Removal

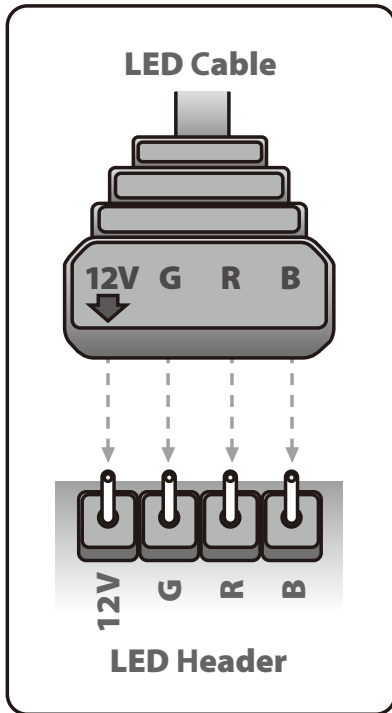


Audio Configuration



Audio Configuration				
	2 Channel	4.1 Channel	5.1 Channel	7.1 Channel
Ⓞ Light Blue (Line In/Side Speaker Out)	Line In	Line In	Line In	Side Speaker Out
Ⓟ Lime (Line Out/Front Speaker Out)	Line Out	Front Speaker Out	Front Speaker Out	Front Speaker Out
Ⓛ Orange (Center/Subwoofer)			Center/Subwoofer	Center/Subwoofer
Ⓜ Black (Surround)		Rear Speaker Out	Rear Speaker Out	Rear Speaker Out
Ⓠ Pink (Mic In)	Mic In	Mic In	Mic In	Mic In

Warning for RGB LED Light Strip Installation

**Notice:**

Please read the following instructions carefully before connecting the RGB LED strip to the RGB LED header on your motherboard.

Locate an arrow (labeled with 12V) on the cable connector. Align the arrow with the 12V pin of RGB LED header. Once they are aligned, carefully install the cable into the header.

Failure to do so may have no impact on motherboard functions.

However, improper installation or misalignment may cause damages to the RGB LED strip and RGB power parts after a period of time.

PACKAGE CONTENTS

- One (1) Supermicro Motherboard
- Four (4) SATA Cables
- One (1) I/O Shield
- One (1) Quick Reference Guide
- One (1) Driver CD
- Two (2) Antennas (C9Z390-CGW only)

Jumpers and Connectors

Jumpers

Jumper	Description	Default
CLEAR CMOS	Clear CMOS Button	Push Button Switch
J9701/J9702	Manufacturing Mode	1-2: Normal
J12C1/J12C2	SMB to PCI-E Slots	Open: Disable
JPME2	Intel® Manufacturing Mode	1-2: Normal
JWD1	Watch Dog Function Enable	1-2: Reset
POWER BUTTON	Internal Power Button	Push Button Switch
RESET BUTTON	Onboard System Reset Button	Push Button Switch

Connectors

Connector	Description
12V_PUMP_PWR1	12V power connector for CPU pump of liquid cooling
AUDIO FP	Front Panel Audio Header
B1	Onboard Battery
COM1	COM1 Header
CPU_FAN1/FAN2	CPU Fan Headers
CPU SLOT1 PCI-E 3.0 x4	PCI-Express x4 Slot (PCI-E 3.0 x4 link) *CPU Slot3 PCI-E 3.0 x8 (IN x16) slot and CPU Slot1 PCI-E 3.0 x4 slot share the same PCI-Ex16 link with CPU Slot6 PCI-E 3.0 x16 slot. CPU Slot6 PCI-E 3.0 x16 slot and CPU Slot3 PCI-E 3.0 x8 (IN x16) slot will change to PCI-E 3.0 x8 link and PCI-E 3.0 x4 link respectively when an add-on card is installed in CPU Slot1 PCI-E 3.0 x4 slot
CPU SLOT3 PCI-E 3.0 x8 (IN x16)	PCI-Express x16 Slot (PCI-E 3.0 x8 link) *CPU Slot3 PCI-E 3.0 x8 (IN x16) slot shares a PCI-E x16 link with CPU Slot6 PCI-E 3.0 x16 slot, therefore CPU Slot6 PCI-E 3.0 x16 slot will change to PCI-E 3.0 x8 link when a graphics card is installed in CPU Slot3 PCI-E 3.0 x8 (IN x16) slot
CPU SLOT6 PCI-E 3.0 x16	PCI-Express x16 Slot (PCI-E 3.0 x16 link) *Always plug in one graphics card in CPU Slot6 PCI-E 3.0 x16 slot first to maximize performance
PCH SLOT2/4/5 PCI-E 3.0 x1	PCI-Express x1 Slot (PCI-E 3.0 x1 link)
HD AUDIO	High Definition Audio
HDMI/DP1, DP2	Back Panel High Definition Multimedia Interface/Display Ports
I-SATA0~5	(Intel® Z390) Serial ATA (SATA 3.0) Port 0~5 (6Gb/sec)
JD1	External Speaker Header
JF1	Front Control Panel Header
JL1	Chassis Intrusion Header
JPW1	24-pin ATX Main Power Connector (Required)
JPW2	8-pin CPU Power Connector (Required)
JRLED1/JRLED2	JRLED1 connects to I/O cover's RGB board, JRLED2 connects to PCH RGB board (5V)
JRLED3/JRLED4	External 12V RGB strip Headers *Please see page7 for RGB LED light strip installation
JSD1	SATA DOM (Disk-On-Module) Power Connector
JSPDIF_OUT	Sony/Philips Digital Interface (S/PDIF) Out Header
JSTBY1	Standby Power Header
JTPM1	Trusted Platform Module (TPM) Header
JVR2	Header for Manufacturing purpose
KB/MOUSE	PS/2 Keyboard/Mouse Port
LAN1/LAN2	RJ45 GbE/10GbE LAN Ports
PCI-E M.2-E1	M.2 E-key Connector (Pre-installed Intel Wireless-AC 9560 WIFI module)
PCI-E M.2-M1/M.2-M2	PCI-E M.2 Connectors (Small form factor devices and other portable devices for high speed NVMe SSDs)
SYS_FAN1/FAN2/FAN3	System Fan Headers
USB 0/1	Front Panel Universal Serial Bus (USB) 2.0 Header (Black)
USB 2/3	Back Panel Accessible USB 3.1 Gen1 Ports (Blue)
USB 4/5, 6/7	Back Panel Accessible USB 3.1 Gen2 Ports, USB4/6/7: TypeA, USB5: TypeC (Red)
USB 8/9	Front Panel USB 3.1 Gen1 Header (Black)
USB 10	Front Panel USB 3.1 Gen2 Header (Black)

CONTACT INFORMATION

- www.supermicro.com (Email: support@supermicro.com)
- Manuals: <http://www.supermicro.com/support/manuals>
- Drivers & Utilities: <https://www.supermicro.com/wftp/driver/>
- Safety: http://www.supermicro.com/about/policies/safety_information.cfm

LED Indicators

LED Indicators		
LED	Description	Color/State
BOOT LED	Bootable Device POST (Power-On Self-Test) Status	Bootable Device POST: Red ON Bootable Device POST Completion: OFF
CPU LED	CPU POST (Power-On Self-Test) Status	CPU POST: Yellow ON CPU POST Completion: OFF
D9017/D9019	LED indication of CPU PCI-E Link speed	Green: x16 link Yellow: x8/x4/x1 link
DIMM LED	DIMM POST (Power-On Self-Test) Status	DIMM POST: Blue ON DIMM POST Completion: OFF
LED1	Power On: Green On S3 (Suspend to RAM) LED	Power On: Green ON S3: Green Blinking
LED4	Diagnostic LED	Digital Readout
LED5	PCI-E M.2-M1 LED	PCI-E Device Detected: Green ON Activity: Green Blinking
LED6	PCI-E M.2-M2 LED	PCI-E Device Detected: Green ON Activity: Green Blinking
VGA LED	Onboard VGA POST (Power-On Self-Test) Status	Onboard VGA POST: Green ON Onboard VGA POST Completion: OFF

CPU & Memory Support

The C9Z390-CG(W) supports an 8th/9th Gen Intel® Core™ i9/i7/i5/i3/Pentium®/Celeron® processor, up to 64GB of Unbuffered (UDIMM) non-ECC DDR4 memory, 3733+MHz (OC) to 2666/2400MHz (by CPU) in four 288-pin memory slots. Populating these DIMM slots with a pair of memory modules of the same type and size will result in interleaved memory, which will improve memory performance.

- Note:** 1) For memory optimization, use only DIMM modules that have been validated by Supermicro. For the latest memory updates, please refer to our website at <http://www.supermicro.com/products/motherboard>.
- 2) Always connect the power cord last, and always remove it before adding, removing or changing any hardware components.
- 3) Only use an 8th/9th Gen Intel® Core™ i9/i7/i5/i3/Pentium®/Celeron® processor to boot up, otherwise system will not be powered on.

DIMM Memory Installation



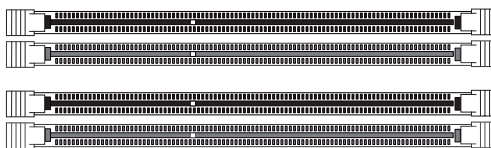
Towards the CPU

DIMMA1 (Black Slot)

DIMMA2 (Grey Slot)

DIMMB1 (Black Slot)

DIMMB2 (Grey Slot)



Memory Population Guidelines

When installing memory modules, the DIMM slots should be populated in the following order: DIMMA2, DIMMB2, then DIMMA1, DIMMB1.

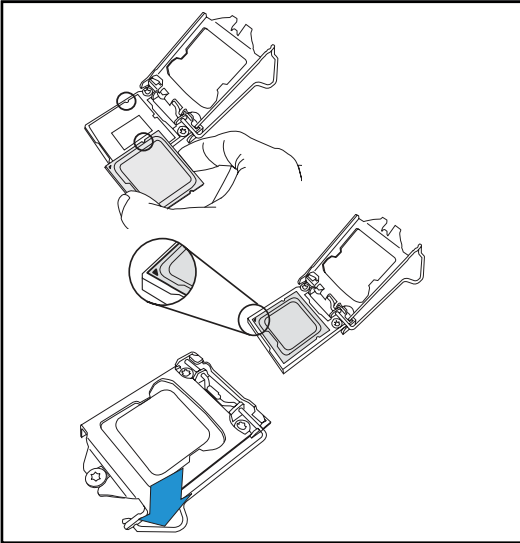
- Always use DDR4 DIMM modules of the same size, type, and speed.
- Mixed DIMM speeds can be installed. However, all DIMMs will run at the speed of the slowest DIMM.

Recommended Population (Balanced)				
DIMMB2	DIMMA2	DIMMB1	DIMMA1	Total System Memory
4GB	4GB			8GB
4GB	4GB	4GB	4GB	16GB
8GB	8GB			16GB
8GB	8GB	8GB	8GB	32GB
16GB	16GB			32GB
16GB	16GB	16GB	16GB	64GB

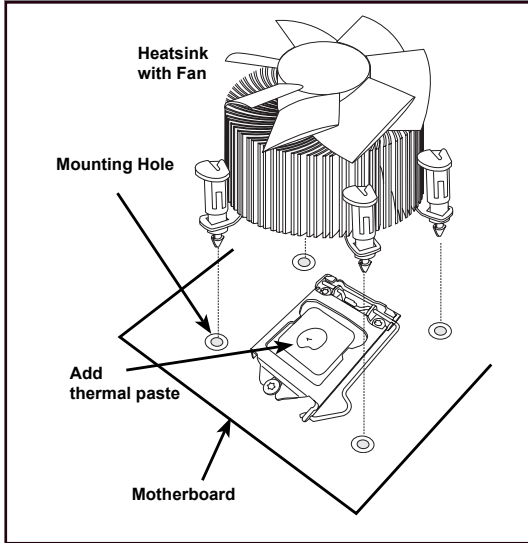
NOTES

- Graphics shown in this quick reference guide are for illustration only. Your components may or may not look exactly the same as drawings shown in this guide.
- Refer to Chapter 2 of the User Manual for detailed information on jumpers, connectors, LED indicators, memory support and CPU/motherboard installation instructions.

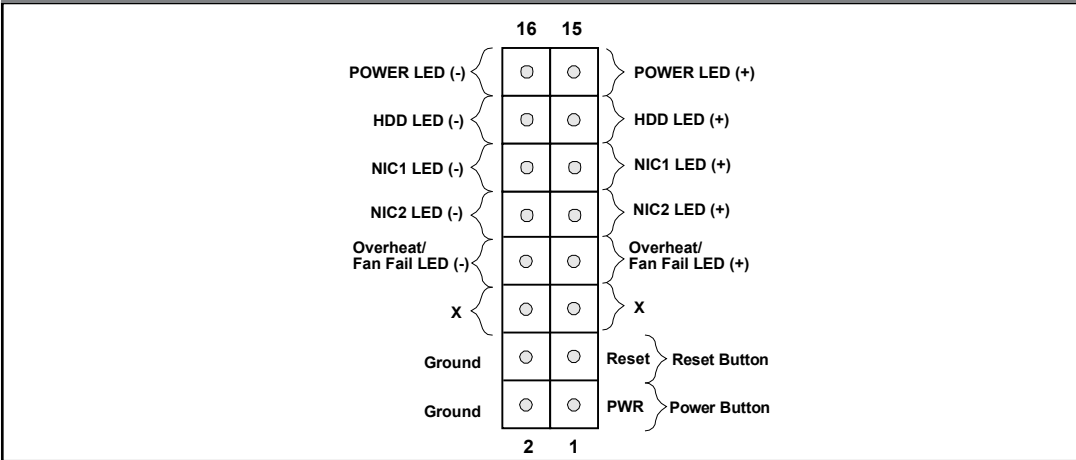
CPU Installation



Heatsink Installation

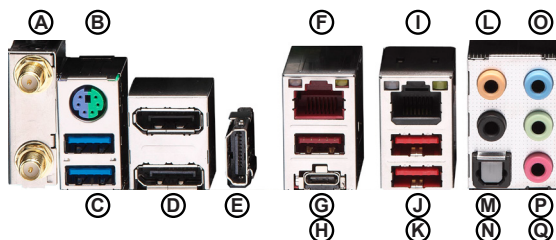


Front Control Panel (JF1)



Back Panel I/O Connectors

A. WIFI+BT (for C9Z390-CGW only)	F. 1Gb Ethernet RJ45 LAN Port 1	K. USB 3.1 Gen2 Port 7 (Type A)	P. Line Out
B. PS/2 Keyboard/Mouse Port	G. USB3.1 Gen2 Port 4 (Type A)	L. Center/LFE Out	Q. Mic In
C. USB 3.1 Gen1 Ports 2/3	H. USB3.1 Gen2 Port 5 (Type C)	M. Surround Out	
D. Display 1.2 Ports 1/2	I. 10Gb Ethernet RJ45 LAN Port 2 (for C9Z390-CGW only)	N. S/PDIF Out	
E. HDMI 1.4b Port	J. USB 3.1 Gen2 Port 6 (Type A)	O. Line In	



© 2019 Supermicro Computer Inc. All rights reserved. Reproduction of this document, whether in part or in whole, is strictly prohibited without Supermicro's written consent. All Trademarks are property of their respective entities. All information provided is deemed accurate at the time of printing; however, it is not guaranteed.

MNL-2098-QRG-10a



單一主機板包裝盒內容清單

- Supermicro主機板 x1
- SATA訊號線 x4
- 後檔板 x1
- 快速參考指南 x1
- 驅動程式光碟片 x1
- 天線 x2 (僅適用於C9Z390-CGW)

跳線器/連接埠

跳線器 (Jumper)

跳線器	說明	預設值
CLEAR CMOS	CMOS (可讀寫隨機存取記憶體晶片) 組態資料清除	按鍵式開關
J9701/J9702	工廠製造設定模式	針腳1-2 : 正常
J12C1/J12C2	PCI-E (系統匯流排) 介面的SMB插座	停用
JPME2	Intel®製造模式	針腳1-2 : 正常
JWD1	啟動系統監控 (Watch Dog) 功能	針腳1-2 : 重設
POWER BUTTON	電源開關	按鍵式開關
RESET BUTTON	系統重設開關	按鍵式開關

連接埠 (Connector)

連接埠	說明
12V_PUMP_PWR1	12V水冷幫浦電源插座
AUDIO FP	前面板音效接頭
B1	內建電池
COM1	COM1序列連接埠
CPU_FAN1/FAN2	CPU (中央處理器) 風扇接頭
CPU SLOT1 PCI-E 3.0 x4	PCI-Express x4插槽 · 支援PCI-E 3.0 x4運作效能規格 *CPU Slot3 PCI-E 3.0 x8 (IN x16) 插槽與CPU Slot1 PCI-E 3.0 x4插槽共享CPU Slot6 PCI-E x16頻寬 · 所以當CPU Slot1 PCI-E 3.0 x4插槽安裝顯示卡時 · CPU Slot6 PCI-E 3.0 x16和CPU Slot3 PCI-E 3.0 x8 (IN x16) 插槽分別最高以PCI-E 3.0 x8 和 PCI-E 3.0 x4頻寬運作
CPU SLOT3 PCI-E 3.0 x8 (IN x16)	PCI-Express x16插槽 · 支援PCI-E 3.0 x8運作效能規格 *CPU Slot3 PCI-E 3.0 x8 (IN x16) 插槽與CPU Slot6 PCI-E 3.0 x16插槽共享頻寬 · 所以當CPU Slot3 PCI-E 3.0 x8 (IN x16) 插槽安裝顯示卡時 · CPU Slot6 PCI-E 3.0 x16插槽最高以 x8頻寬運作
CPU SLOT6 PCI-E 3.0 x16	PCI-Express x16插槽 · 支援PCI-E 3.0 x16運作效能規格 *為發揮顯示卡最大效能 · 如只安裝一張顯示卡時務必優先安裝至CPU Slot6 PCI-E 3.0 x16插槽
PCH SLOT2/4/5 PCI-E 3.0 x1	PCI-Express x1插槽 · 支援PCI-E 3.0 x1運作效能規格
HD AUDIO	背板5個音源接頭 (中央及重低音輸出、後喇叭輸出、音源輸入、音源輸出、麥克風) 和1個S/PDIF光纖輸出插座
HDMI/DP1, DP2	背板高畫質多媒體介面連接埠接頭/顯示連接埠接頭
I-SATA0~5	(Intel® Z390) 序列ATA介面 (SATA 3.0) 連接埠0~5 (6Gb/秒)
JD1	外接喇叭接頭
JF1	前控制面板接頭
JL1	機殼防盜裝置接頭
JPW1	24針腳ATX主電源連接埠 (必備)
JPW2	8針腳CPU電源連接埠 (必備)
JRLED1/JRLED2	JRLED1 RGB接頭出貨預連接到PCH RGB導光板 · JRLED2 RGB接頭出貨預連接到塑膠I/O導光板 (5V)
JRLED3/JRLED4	12V RGB光條接頭 *RGB LED light strip的安裝請參考第七頁
JSD1	SATA DOM (磁碟模組) 電源連接埠
JSPDIF_OUT	S/PDIF (索尼/飛利浦數位傳輸介面) 輸出接頭
JSTBY1	待機電源接頭
JTPM1	TPM信任平台模組接頭
JVR2	工廠製造設定接頭
KB/MOUSE	PS/2鍵盤/滑鼠共用接頭
LAN1/LAN2	RJ45 GbE/10GbE網路連接埠
PCI-E M.2-E1	無線網路卡+藍芽卡接頭
PCI-E M.2-M1/M.2-M2	PCI-E M.2介面連接埠 · 適用具高速傳輸NVMe介面之小尺寸以及其他可攜式M.2固態硬碟
SYS_FAN1/FAN2/FAN3	系統風扇接頭
USB 0/1	前面板USB 2.0規格連接埠 (黑色)
USB 2/3	背板USB 3.1 Gen1規格連接埠 (藍色)
USB 4/5, 6/7	背板USB 3.1 Gen2規格連接埠 · USB4/6/7: Type A · USB5: Type C (紅色)
USB 8/9	前面板USB 3.1 Gen1規格連接埠 (黑色)
USB 10	前面板USB 3.1 Gen2規格連接埠 (黑色)

線上技術支援及下載

- 聯絡我們 (技術支援信箱) : www.supermicro.com (Email: support@supermicro.com)
- 產品手冊文件 : <http://www.supermicro.com/support/manuals>
- 驅動程式及工具程式 : <https://www.supermicro.com/wftp/driver/>
- 產品安全性須知 : http://www.supermicro.com/about/policies/safety_information.cfm

LED指示燈

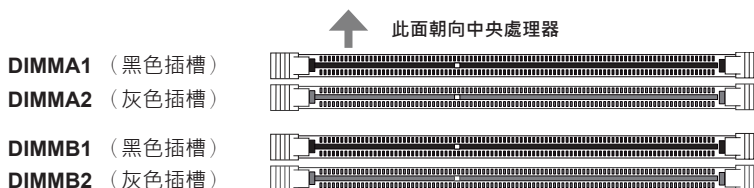
LED指示燈		
LED燈	說明	燈號顏色/情況
BOOT LED	顯示硬碟開機時POST狀態	正在執行硬碟POST程序：紅燈 完成硬碟POST程序：燈滅
CPU LED	顯示CPU BIOS POST狀態	正在執行CPU POST程序：黃燈 完成CPU POST程序：燈滅
D9017/D9019	CPU PCI-E x16插槽狀態LED燈	綠燈：x16模式 黃燈：x8/x4/x1模式
DIMM LED	顯示記憶體BIOS POST狀態	正在執行記憶體POST程序：藍燈 完成記憶體POST程序：燈滅
LED1	開機/S3模式 (待機) 指示燈	開機：綠燈 待機S3模式：綠燈閃爍
LED4	診斷指示燈	數位式讀值
LED5	PCI-E M.2-M1指示燈	綠色：持續亮燈 動作：綠燈閃爍
LED6	PCI-E M.2-M2指示燈	綠色：持續亮燈 動作：綠燈閃爍
VGA LED	顯示VGA顯示卡開機時POST狀態	正在執行VGA顯示卡POST程序：綠燈 完成VGA顯示卡POST程序：燈滅

中央處理器及記憶體支援

本主機板C9Z390-CG(W)支援第八代和第九代Intel® Core™ i9/i7/i5/i3/Pentium®/Celeron®處理器。記憶體支援Unbuffered DIMM non-ECC DDR4，容量最高可達 64GB，及四個3733+MHz (超頻) 至 2666/2400MHz (參照CPU規格) 288支針腳的記憶體插槽。欲取得雙通道效能，請安裝成對相同型號與速度之記憶體。

- 註：1) 請安裝使用本公司所認可的記憶體模組以達記憶體模組最佳化。更多的記憶體模組相關訊息，請參閱本公司網頁 (<http://www.supermicro.com/products/motherboard>)。
- 2) 增加、移除和更換任何硬體元件前，請務必先拔掉電源線，待確實完成所有程序後，再重新連接電源線。
 - 3) 安裝CPU處理器時，請務必確認只使用第八代或第九代Intel® Core™ i9/i7/i5/i3/Pentium®/Celeron®處理器再開啟系統電源。安裝不支援的CPU處理器，將導致系統無法正常運作。

DIMM (記憶體模組) 安裝方式



請依照以下說明及表格安裝記憶體模組：

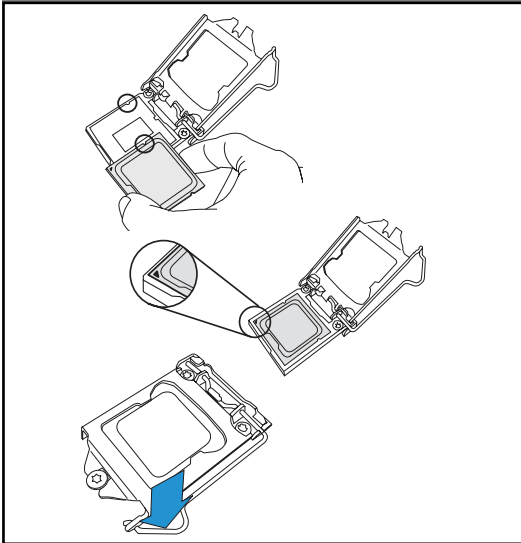
- 請遵循下列插槽編號順序安裝：DIMMA2 (通道A、插槽2)、DIMMB2 (通道B、插槽2)、DIMMA1 (通道A、插槽1)、DIMMB1 (通道B、插槽1)。
- 請使用相同型號 (DDR4 DIMM) 與速度之記憶體。若混合使用不同速度之記憶體，系統將依較低的記憶體速度執行。

建議插槽使用方式				
DIMMB2	DIMMA2	DIMMB1	DIMMA1	系統記憶體總容量
4GB	4GB			8GB
4GB	4GB	4GB	4GB	16GB
8GB	8GB			16GB
8GB	8GB	8GB	8GB	32GB
16GB	16GB			32GB
16GB	16GB	16GB	16GB	64GB

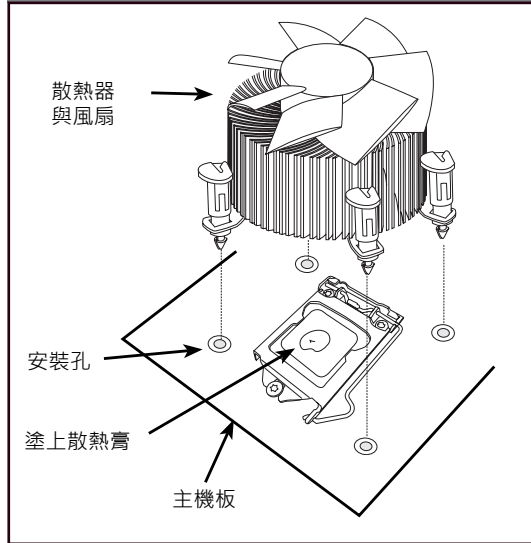
備註：

- 快速參考指南中的圖例僅供安裝及操作說明使用，可能與實際產品外觀不同。
- 欲知更多跳線器/連接埠/指示燈/記憶體/主機板/中央處理器的安裝相關資訊，請參閱《SUPERMICRO C9Z390-CG(W)使用手冊》第二章。

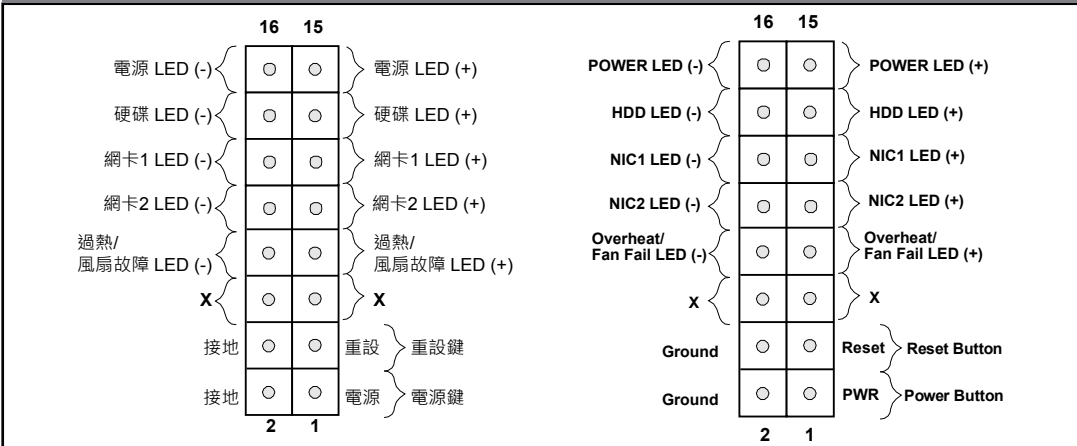
中央處理器安裝方式



散熱器安裝方式

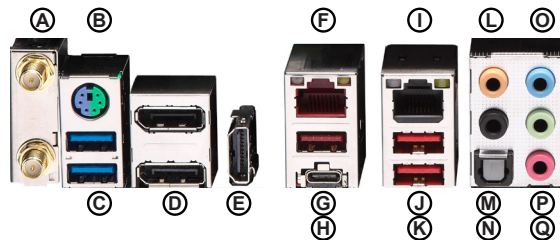


前控制面板配置 (JF1)



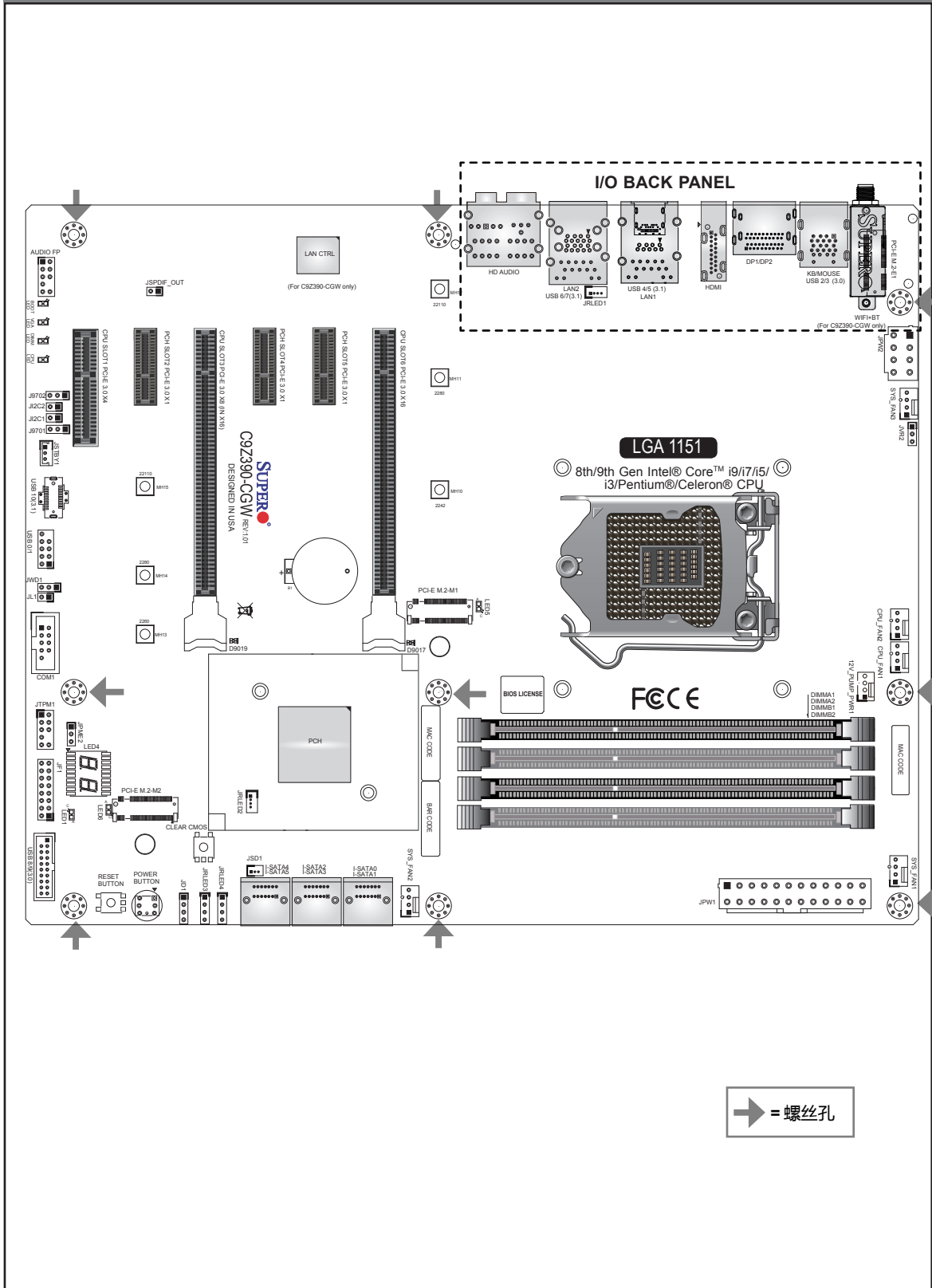
背板輸出/輸入連接埠

A. 無線網路及藍芽天線接頭 (僅適用於C9Z390-CGW)	F. 1Gb LAN 1乙太RJ45網路線連接埠	K. USB7 (3.1 Gen2) 連接埠 (Type A)	P. 音效輸出
B. PS/2鍵盤/滑鼠 連接埠	G. USB4 (3.1 Gen2) 連接埠 (Type A)	L. 中央/低音聲道輸出	Q. 麥克風插孔
C. USB2/3 (3.1 Gen1) 連接埠	H. USB5 (3.1 Gen2) 連接埠 (Type C)	M. 環繞聲道輸出	
D. Display Port 1.2顯示連接埠1/2	I. 10Gb LAN 2乙太RJ45網路線連接埠 (僅適用於C9Z390-CGW)	N. S/PDIF輸出	
E. HDMI 1.4b高畫質多媒體介面 連接埠	J. USB6 (3.1 Gen2) 連接埠 (Type A)	O. 音效輸入	



MNL-2098-QRG-10a

主板元件配置图



单一主板包装盒内容清单

- Supermicro主板 x1
- SATA数据线 x4
- 后挡板 x1
- 快速参考指南 x1
- 驱动程序光盘 x1
- 天线 x2 (仅适用于C9Z390-CGW)

跳帽/接口

跳帽 (Jumper)		
跳帽	说明	预设值
CLEAR CMOS	CMOS设置参数清除按键	按键式开关
J9701/J9702	工厂制造设定模式	针脚1-2 : 正常
J12C1/J12C2	系统插槽PCI-E接口的SMB插座	禁用
JPME2	Intel® 制造模式	针脚1-2 : 正常
JWD1	看门狗功能启用	针脚1-2 : 重启
POWER BUTTON	内置电源按键	按键式开关
RESET BUTTON	板载系统重启按键	按键式开关

接口 (Connector)	
接口	说明
12V_PUMP_PWR1	12V水泵供电插座
AUDIO FP	前面板音效接口
B1	RTC电池接口
COM1	COM1串口
CPU_FAN1/FAN2	CPU风扇接口
CPU SLOT1 PCI-E 3.0 x4	PCI-Express x4插槽, 支持PCI-E 3.0 x4运作效能规格 *CPU Slot3 PCI-E 3.0 x8 (IN x16) 插槽与CPU Slot1 PCI-E 3.0 x4插槽共享CPU Slot6 PCI-E x16 slot带宽, 所以当CPU Slot1 PCI-E 3.0 x4插槽安装显示适配器时, CPU Slot6 PCI-E 3.0 x16插槽和 CPU Slot3 PCI-E 3.0 x8 (IN x16) 分别最高以 x8和 x4带宽运作
CPU SLOT3 PCI-E 3.0 x8 (IN x16)	PCI-Express x16插槽, 支持PCI-E 3.0 x8运作效能规格 *CPU Slot3 PCI-E 3.0 x8 (IN x16) 插槽与CPU Slot6 PCI-E 3.0 x16插槽共享带宽, 所以当CPU Slot3 PCI-E 3.0 x8 (IN x16) 插槽安装显示适配器时, CPU Slot6 PCI-E 3.0 x16插槽最高以 x8带宽运作
CPU SLOT6 PCI-E 3.0 x16	PCI-Express x16插槽, 支持PCI-E 3.0 x16 运作效能规格 *为发挥显示适配器最大效能, 如只安装一张显示适配器时务必优先安装至CPU Slot6 PCI-E 3.0 x16插槽
PCH SLOT2/4/5 PCI-E 3.0 x1	PCI-Express x1插槽, 支持PCI-E 3.0 x1运作效能规格
HD AUDIO	背面板5个音源接头 (中央及重低音输出、后喇叭输出、音源输入、音源输出、麦克风) 和1个S/PDIF光纤输出插座
HDMI/DP1, DP2	背面板高画质多媒体接口端口接头/显示端口接头
I-SATA0~5	(Intel® Z390) 串行ATA (SATA 3.0) 接口0~5 (6Gb/秒)
JD1	外置喇叭接口
JF1	前控制面板接口
JL1	机箱防盗装置接口
JPW1	24针ATX主电源接口 (必备)
JPW2	8针CPU供电接口 (必备)
JRLED1/JRLED2	RGB LED插座JRLED1连接到PCH RGB灯板, JRLED2连接到后方RGB灯板 (5V)
JRLED3/JRLED4	12V RGB光条接口 *RGB LED light strip的安装请参考第七页
JSD1	SATA DOM (磁盘模块) 供电接口
JSPDIF_OUT	S/PDIF (索尼/飞利浦数字传输接口) 输出接口
JSTBY1	待机电源插座
JTPM1	TPM可信执行平台模块接口
JVR2	工厂制造设定接口
KB/MOUSE	PS/2键盘/鼠标共享接头
LAN1/LAN2	RJ45 GbE/10GbE网络端口
PCI-E M.2-E1	无线网卡+蓝牙接口
PCI-E M.2-M1/M.2-M2	PCI-E M.2总线接口, 适用于小尺寸具高速传输NVMe接口以及其他便携式M.2固态硬盘
SYS_FAN1/FAN2/FAN3	系统风扇接口
USB 0/1	前面板USB 2.0规格端口 (黑色)
USB 2/3	背面板USB 3.1 Gen1接口 (蓝色)
USB 4/5, 6/7	背面板USB 3.1 Gen2接口, USB4/6/7: Type A, USB5: Type C (红色)
USB 8/9	前面板USB 3.1 Gen1规格端口 (黑色)
USB 10	前面板USB 3.1 Gen2规格端口 (黑色)

网上技术支持及下载


- 联络我们 (技术支持信箱) : www.supermicro.com (Email: support@supermicro.com)
- 产品用户手册文件 : <http://www.supermicro.com/support/manuals>
- 驱动程序及工具软件 : <https://www.supermicro.com/wftp/driver/>
- 产品安全性须知 : http://www.supermicro.com/about/policies/safety_information.cfm

LED指示灯

LED指示灯		
LED灯	说明	灯号颜色/情况
BOOT LED	显示硬盘开机时POST状态	正在执行硬盘POST程序：红灯 完成硬盘POST程序：灯灭
CPU LED	显示CPU BIOS POST状态	正在执行CPU POST程序：黄灯 完成CPU POST程序：灯灭
D9017/D9019	CPU PCI-E x16插槽状态LED灯	绿灯：x16模式 黄灯：vx8/x4/x1模式
DIMM LED	显示记忆体BIOS POST状态	正在执行记忆体POST程序：蓝灯 完成记忆体POST程序：灯灭
LED1	电源开机 S3 (Suspend to RAM) LED	电源开机：绿灯亮 S3：绿灯闪烁
LED4	诊断LED	数字显示
LED5	PCI-E M.2-M1指示灯	绿灯：持续亮灯 活动：绿灯闪烁
LED6	PCI-E M.2-M2指示灯	绿灯：持续亮灯 活动：绿灯闪烁
VGA LED	显示VGA显示卡开机时POST状态	正在执行VGA显示卡POST程序：绿灯 完成VGA显示卡POST程序：灯灭


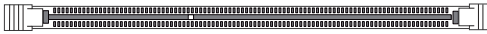


中央处理器及内存支持

本主板C9Z390-CG(W)支持第八代和第九代Intel® Core™ i9/i7/i5/i3/Pentium®/Celeron®处理器。内存支持Unbuffered DIMM non-ECC DDR4, 内存容量最高可达64GB, 及四个3733+MHz (超频) 至2666/2400MHz (参照CPU规格) 288针的内存插槽。欲取得双通道效能, 请安装成对相同型号与速度之内内存条。

-  注：1) 请安装使用本公司所认可的内存模组以达到内存模组性能最佳化。更多的内存模组相关信息, 请参阅本公司网页 (<http://www.supermicro.com/products/motherboard>)
- 2) 增加、移除和更换任何零部件前, 请务必先拔掉电源线, 待完成所有操作后, 再重新连接电源线。
- 3) 安装CPU处理器时, 请务必确认只使用第八代或第九代Intel® Core™ i9/i7/i5/i3/Pentium®/Celeron®处理器再开启系统电源。安装不支援的CPU处理器, 将导致系统无法正常运行。

DIMM (内存模组) 安装方式

 此面向向中央处理器

DIMMA1 (黑色插槽)	
DIMMA2 (灰色插槽)	
DIMMB1 (黑色插槽)	
DIMMB2 (灰色插槽)	

请依照以下说明及表格安装内存模组：

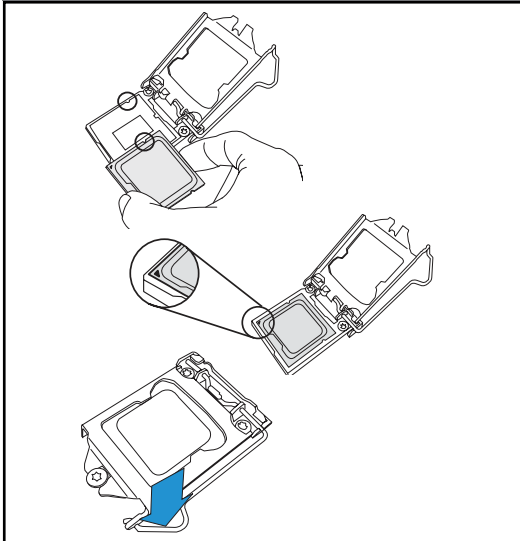
- 请遵循下列插槽编号顺序依序安装：DIMMA2 (通道A、插槽2)、DIMMB2 (通道B、插槽2)、DIMMA1 (通道A、插槽1)、DIMMB1 (通道B、插槽1)。
- 请使用相同型号 (DDR4 DIMM) 与速度之内内存。若混合使用不同速度之内内存, 系统将依据较低的内存速度执行。

建议插槽使用方式				
DIMMB2	DIMMA2	DIMMB1	DIMMA1	系统内存总容量
4GB	4GB			8GB
4GB	4GB	4GB	4GB	16GB
8GB	8GB			16GB
8GB	8GB	8GB	8GB	32GB
16GB	16GB			32GB
16GB	16GB	16GB	16GB	64GB

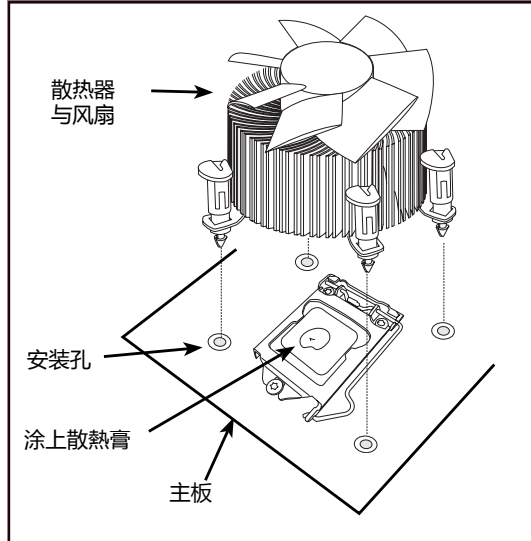
备注：

- 快速参考指南中的图例仅供安装及操作说明使用，可能与实际产品外观不同。
- 欲知更多跳帽/接口/指示灯/内存条/主板/中央处理器的安装相关信息，请参阅《SUPERMICRO C9Z390-CG(W)使用手册》第二章。

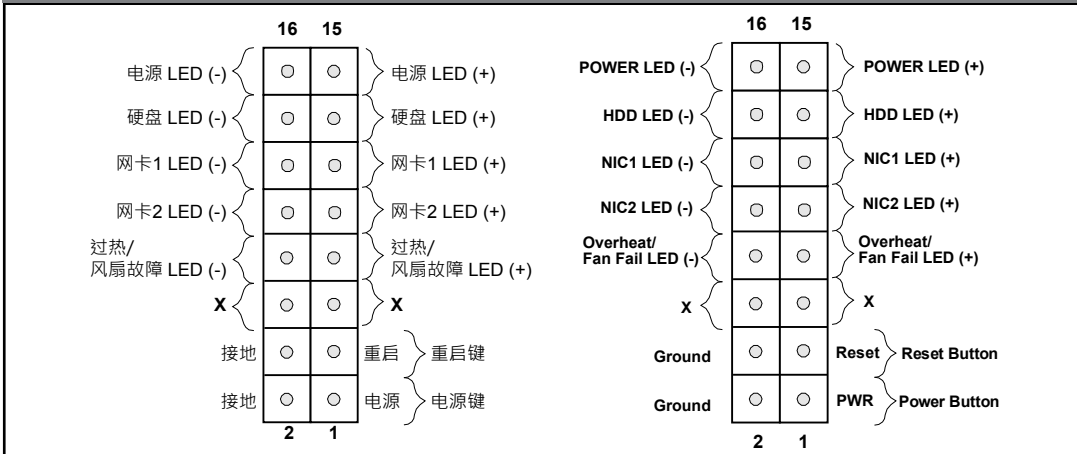
中央处理器安装方式



散热器安装方式

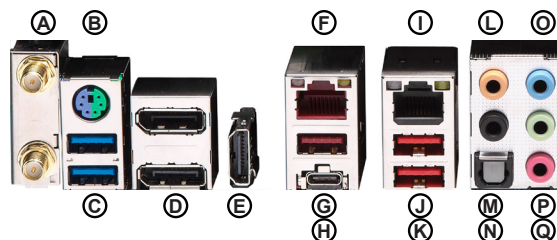


前控制面板配置 (JF1)



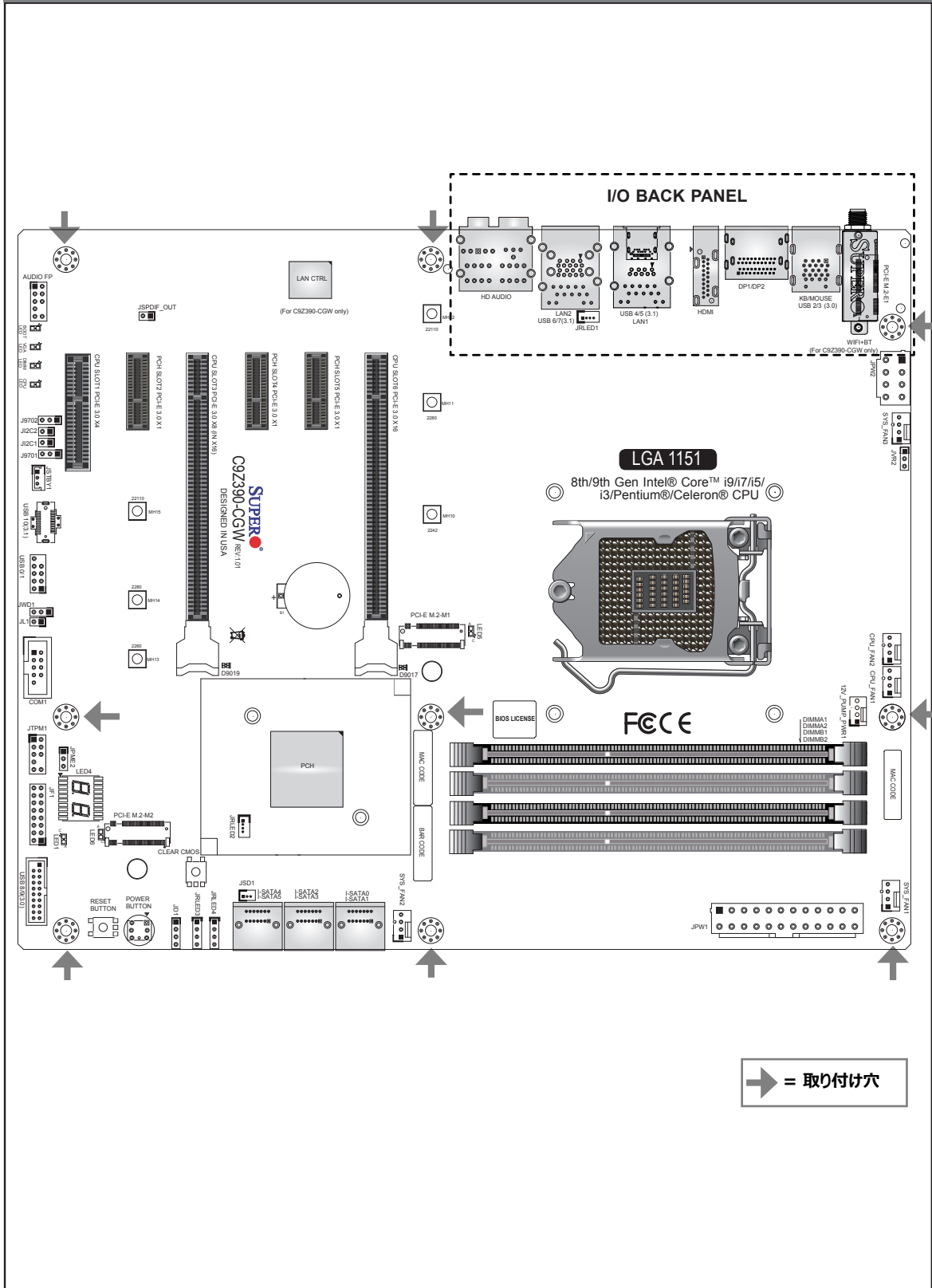
背面板输入/输出接口

A. 无线网卡+蓝牙天线接口 (仅适用于C9Z390-CGW)	F. 1Gb以太网卡RJ45接口1	K. USB 3.1 Gen2接口7 (Type A)	P. Line输出
B. PS/2键盘/鼠标接口	G. USB3.1 Gen2 接口4 (Type A)	L. 中置/重低音 输出	Q. Mic输入
C. USB 3.1 Gen1接口2/3	H. USB3.1 Gen2 接口5 (Type C)	M. 环绕立体声 输出	
D. Display Port1.2接口1/2	I. 10Gb以太网卡RJ45接口2 (仅适用于C9Z390-CGW)	N. S/PDIF输出	
E. HDMI 1.4b接口	J. USB3.1 Gen2接口6 (Type A)	O. Line输入	



MNL-2098-QRG-10a

マザーボードのレイアウト、および、特徴



パッケージ内容

- Supermicro マザーボード x 1
- SATA ケーブル x 4
- I/O シールド x 1
- クイック・リファレンス・ガイド x 1
- ドライバ CD x 1
- アンテナ x 2 (C9Z390-CGW専用)

ジャンパーとコネクタ

ジャンパー

ジャンパー	説明	デフォルト
CLEAR CMOS	CMOS クリアボタン	押しボタンスイッチ
J9701/J9702	工場設定モード	1-2 : ノーマル
J12C1/J12C2	SMB → PCI-E スロット	オープン : 無効
JPME2	インテル® 製造モード	1-2 : ノーマル
JWD1	ウォッチドッグ機能 有効化	1-2 : リセット
POWER BUTTON	内部電源ボタン	押しボタンスイッチ
RESET BUTTON	オンボード・システム・リセット・ボタン	押しボタンスイッチ

コネクタ

コネクタ	説明
12V_PUMP_PWR1	12V CPU水冷ポンプ用電源ヘッダ
AUDIO FP	前面パネル・オーディオ・ヘッダー
B1	オンボード・バッテリー
COM1	COM1 ヘッダー
CPU_FAN1/FAN2	CPU ファン・ヘッダー
CPU SLOT1 PCI-E 3.0 x4	PCI-Express x4 スロット (PCI-E 3.0 x4 リンク) *CPUスロット3 PCI-E 3.0 x8 (IN x16) とCPUスロット1 PCI-E 3.0 x4スロットは、CPUスロット6 PCI-E 3.0 x16 スロットと、同じ PCI-E x16 リンクを共有します。そのため、1 枚のアドオンカードを CPU スロット 1 PCI-E 3.0 x4 スロットに取り付けると、CPU スロット 6 PCI-E 3.0 x16 と、CPU スロット 3 PCI-E 3.0 x8 (IN x16) スロットのリンクは、PCI-E 3.0 x8 リンクと PCI-E 3.0 x4 リンクにそれぞれ変更されます
CPU SLOT3 PCI-E 3.0 x8 (IN x16)	PCI-Express x16 スロット (PCI-E 3.0 x8 リンク) *CPUスロット3 PCI-E 3.0 x8 (IN x16) スロットは、CPUスロット6 PCI-E 3.0 x16スロットとPCI-E x16リンクを共有しているため、CPUスロット3 PCI-E 3.0 x8 (IN x16)スロットに、1枚のグラフィックスカードを取り付けると、CPUスロット6 PCI-E 3.0 x16のリンクはPCI-E3.0 x8リンクに変更されます
CPU SLOT6 PCI-E 3.0 x16	PCI-Express x16 スロット (PCI-E 3.0 x16 リンク) *最大限の性能を発揮させるためには、グラフィックスカードを常にCPUスロット6 PCI-E3.0 x16 スロットに接続してください
PCH SLOT2/4/5 PCI-E 3.0 x1	PCI-Express x1 スロット (PCI-E 3.0 x1 リンク)
HD AUDIO	HDオーディオ (High Definition Audio)
HDMI/DP1, DP2	背面パネルHDMI インタフェース/Display Ports
I-SATA0~5	(インテル® Z390) シリアルATA (SATA 3.0) ポート 0~5 (6Gb/sec)
JD1	外部スピーカー・ヘッダー
JF1	前面パネル・コントロール・ヘッダー
JL1	筐体開閉検出ヘッダー
JPW1	24-pin ATX 主電源コネクタ (必須)
JPW2	8-pin CPU 電源コネクタ (必須)
JRLED1/JRLED2	JRLED1はI/OカバーのRGBボードに接続、JRLED2はPCH RGBボードに接続 (5V)
JRLED3/JRLED4	外部 12V RGBストリップ *RGB LED ストリップの取り付けは、7ページをご覧ください
JSD1	SATA DOM (Disk-On-Module) 電源コネクタ
JSPDIF_OUT	Sony/Philips デジタル・インタフェース (S/PDIF) 出力ヘッダー
JSTBY1	スタンバイ電源ヘッダー
JTPM1	トラステッド・プラットフォーム・モジュール (TPM) ヘッダー
JVR2	製造時使用ヘッダー
KB/MOUSE	PS/2 キーボード/マウス ポート
LAN1/LAN2	RJ45 GbE/10GbE LANポート
PCI-E M.2-E1	M.2 E-key コネクタ (インテル Wireless-AC 9560 WIFI モジュール)
PCI-E M.2-M1/M.2-M2	PCI-E M.2 コネクタ (スモールフォームファクタデバイスと、ハイスピードNVMe SSD向け他のポータブルデバイス)
SYS_FAN1/FAN2/FAN3	システム・ファン・ヘッダー
USB 0/1	前面パネル USB2.0ヘッダー (黒)
USB 2/3	背面パネルアクセス可能USB3.1 Gen1 ポート (青)
USB 4/5, 6/7	背面パネルアクセス可能USB3.1 Gen2 ポート、USB4/6/7: Type A、USB5: Type C (赤)
USB 8/9	前面パネル USB3.1 Gen1 ヘッダー (黒)
USB 10	前面パネル USB3.1 Gen2 ヘッダー (黒)

お問い合わせ


- www.supermicro.com (電子メール: support@supermicro.com)
- マニュアル: <http://www.supermicro.com/support/manuals>
- ドライバー & ユーティリティ: <https://www.supermicro.com/wftp/driver/>
- 安全性: http://www.supermicro.com/about/policies/safety_information.cfm

LED インジケータ

LED インジケータ		
LED	説明	色/状態
BOOT LED	起動可能デバイスのPOSTステータス (パワーオンセルフテスト)	起動可能デバイスPOST: 赤色点灯 起動可能デバイスPOST完了: 消灯
CPU LED	CPU POSTステータス (パワーオンセルフテスト)	CPU POST中: 黄色点灯 CPU POST完了: 消灯
D9017/D9019	CPU PCI-E リンクスピード表示LED	緑色: x16 リンク 黄色: x8/x4/x1 リンク
DIMM LED	DIMM POSTステータス (パワーオンセルフテスト)	DIMM POST: 青色点灯 DIMM POST完了: 消灯
LED1	電源オン: 緑色点灯 S3 (サスペンドからRAM) LED	電源オン: 緑色点灯 S3: 緑色点滅
LED4	診断 LED	デジタル表示
LED5	PCI-E M.2 コネクタ 1 LED	PCI-Eデバイスを検出: 緑色点灯 動作中: 緑色点滅
LED6	PCI-E M.2 コネクタ 2 LED	PCI-Eデバイスを検出: 緑色点灯 動作中: 緑色点滅
VGA LED	オンボードVGA POSTステータス (パワーオンセルフテスト)	オンボードVGA POST: 緑色点灯 オンボードVGA POST完了: 消灯

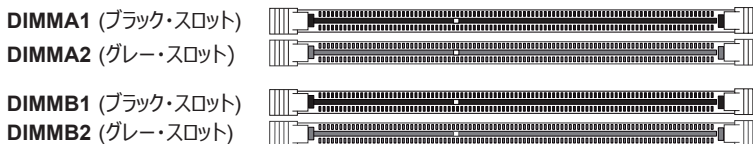
CPU & メモリ サポート

C9Z390-CG(W) は、第8/第9世代の Intel® Core™ i9/i7/i5/i3/Pentium®/Celeron®プロセッサ、最大64GBの Unbuffered (UDIMM) non-ECC DDR4メモリー、4つの 288ピン・メモリースロットに3733+MHz (OC) から2666MHz/2400MHz (CPUによる) に対応しています。このDIMMスロットに、同じ種類、同じ容量の、一組のメモリーモジュールを組込むことで、メモリーインタリーブが構成され、メモリー性能が向上します。

-  注: 1) メモリーの最適化には、Supermicro によって検証済みの、DIMMモジュールのみを使用してください。メモリーに関する最新情報は、弊社ウェブサイト <http://www.supermicro.com/products/motherboard> をご覧ください。
- 2) ハードウェア構成部品の取り外し、交換、追加の前には、必ず電源コードを外し、常に最後に電源コードを接続してください。
- 3) 必ず第8/第9世代の Intel® Core™ i9/i7/i5/i3/Pentium®/Celeron®プロセッサのみを使用してください。それ以外の場合システムは電源が入りません。

DIMM メモリのインストール

↑ CPUの方向



メモリー搭載ガイドライン

メモリーモジュールをインストールする際、以下の順序でDIMMSロットに挿入してください。: DIMMA2、DIMMB2を挿入し、次に DIMMA1、DIMMB1の順

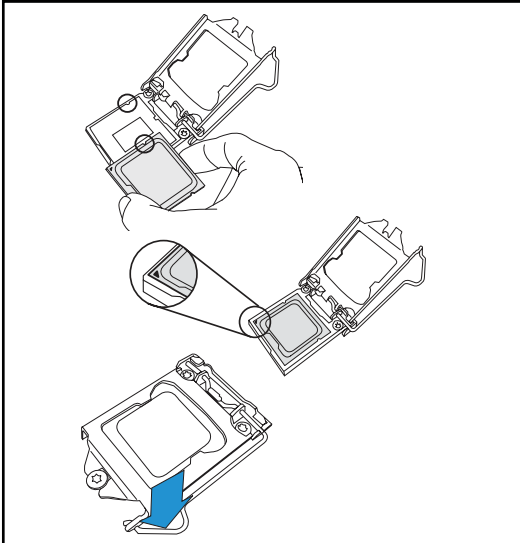
- 常に同じ容量、種類、速度の DDR4 DIMMモジュールを使用してください。
- 異なる速度のDIMMをインストールすることは可能ですが、その場合は、最も遅いDIMMの実行速度に合わせて、すべてのDIMMが動作します。

推奨メモリー搭載 (バランスの取れた配置)				
DIMMB2	DIMMA2	DIMMB1	DIMMA1	システムメモリの合計
4GB	4GB			8GB
4GB	4GB	4GB	4GB	16GB
8GB	8GB			16GB
8GB	8GB	8GB	8GB	32GB
16GB	16GB			32GB
16GB	16GB	16GB	16GB	64GB

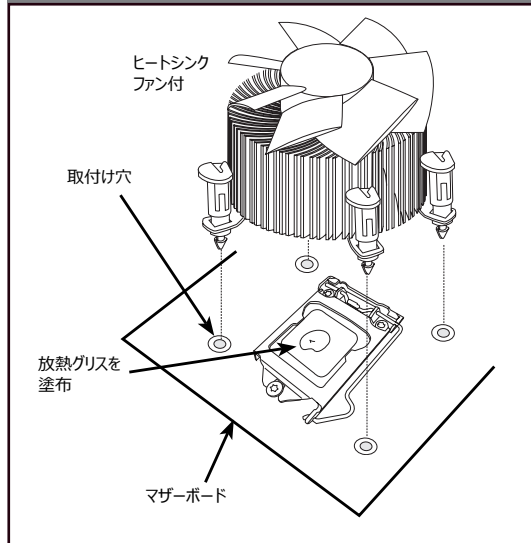
注

- クイック・リファレンス・ガイドに掲載されている図は参考イラストです。ご利用のコンポーネントは、本ガイドに掲載された図と異なる場合があります。
- ジャンパ、コネクタ、LED表示、メモリ・サポート、CPU/マザーボードのインストール方法に関する詳細情報は、ユーザーマニュアルの第2章をご参照ください。

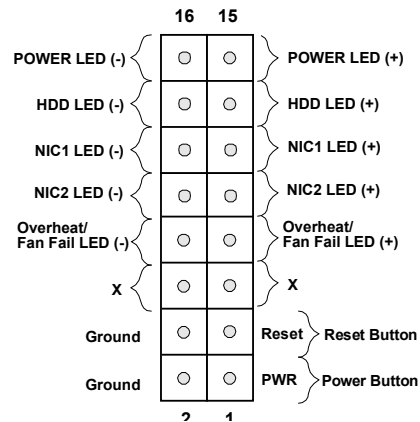
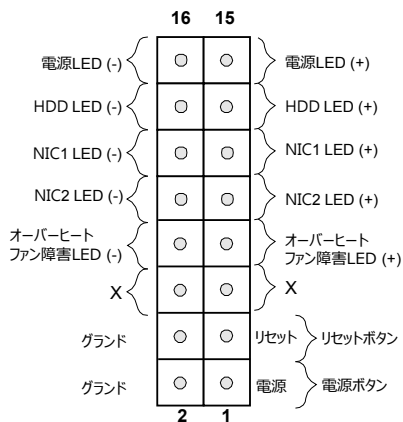
CPU のインストール



ヒートシンクのインストール

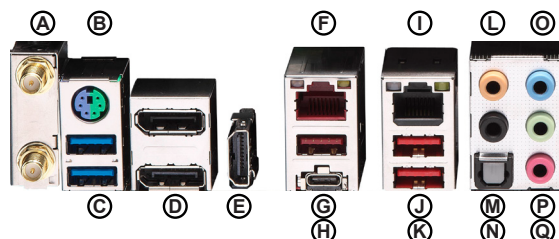


前面コントロールパネル (JF1)



背面パネル I/O コネクタ

A. WIFI+BT (C9Z390-CGW専用)	F. Gigabit Ethernet RJ45 LAN ポート 1	K. USB 3.1 Gen2 ポート 7 (Type A)	P. ライン 出力
B. PS/2 キーボード/マウス ポート	G. USB 3.1 Gen2 ポート 4 (Type A)	L. Center/LFE 出力	Q. マイク 入力
C. USB 3.1 Gen1 ポート 2/3	H. USB 3.1 Gen2 ポート 5 (Type C)	M. サラウンド 出力	
D. ディスプレイ 1.2 ポート 1/2	I. 10 Gigabit Ethernet RJ45 LAN ポート 2 (C9Z390-CGW専用)	N. S/PDIF 出力	
E. HDMI 1.4b ポート	J. USB 3.1 Gen2 ポート 6 (Type A)	O. ライン 入力	



패키지 구성

- Supermicro 마더보드 (1) 개
- SATA 케이블 (4) 개
- I/O 실드 (1) 개
- 빠른 설치 가이드 (1) 개
- Driver CD (1) 개
- 안테나 2개 (C9Z390-CGW전용)

점퍼 및 커넥터

점퍼

점퍼	설명	기본값
CLEAR CMOS	CMOS 클리어 스위치	푸시 버튼 스위치
J9701/J9702	공장사 설정 모드	1-2 : 일반
J12C1/J12C2	SMB - PCI-E 슬롯	On : 사용
JPME2	Intel® 제조 모드	1-2 : 일반
JWD1	워치독 기능 활성화	1-2 : RST
POWER BUTTON	내부 전원 버튼	푸시 버튼 스위치
RESET BUTTON	온보드 시스템 리셋 버튼	푸시 버튼 스위치

커넥터

커넥터	설명
12V_PUMP_PWR1	12V수냉식 펌프 헤더 전원 커넥터
AUDIO FP	전면 패널 오디오 헤더
B1	RTC 배터리
COM1	COM1 헤더
CPU_FAN1/FAN2	CPU 팬 헤더
CPU SLOT1 PCI-E 3.0 x4	PCI-Express x4 슬롯 (PCI-E 3.0 x4 link) *CPU Slot3 PCI-E 3.0 x8 (IN x16) 및 CPU Slot1 PCI-E 3.0 x4 및 CPU Slot6 PCI-E 3.0 x16 은 동일한 PCI-E x16 링크를 공유합니다. CPU Slot1에 PCI-E카드가 설치된 경우, CPU Slot6 PCI-E3.0 x16은 PCI-E 3.0 x8, CPU Slot3 PCI-E 3.0 x8 (IN x16) 은PCI-E 3.0 x4의 속도로 동작됩니다
CPU SLOT3 PCI-E 3.0 x8 (IN x16)	PCI-Express x16 슬롯 (PCI-E 3.0 x8 link) *CPU Slot3 PCI-E 3.0 x8 (IN x16) 및 CPU Slot6 PCI-E 3.0 x16은 동일한 PCI-Ex16 링크를 공유하므로 CPU Slot3 PCI-E 3.0 x8 (IN x16) 에 그래픽카드가 설치된 경우 CPU Slot6 PCI-E 3.0 x16가 PCI-E-3.0 x8의 속도로 동작됩니다
CPU SLOT6 PCI-E 3.0 x16	PCI-Express x16 슬롯 (PCI-E 3.0 x16 link) *성능을 극대화하기 위하여 그래픽카드는 CPU Slot6 PCI-E 3.0 x16에 우선으로 연결하십시오
PCH SLOT2/4/5 PCI-E 3.0 x1	PCI-Express x1 슬롯 (PCI-E 3.0 x1 link)
HD AUDIO	고해상도 오디오
HDMI/DP1, DP2	고해상도 멀티미디어 인터페이스/디스플레이 포트
I-SATA0~5	(Intel® Z390) 시리얼 ATA (SATA 3.0) 포트 0~5 (6Gb/sec)
JD1	외부 스피커
JF1	전면 패널 제어 헤더
JL1	새시 침입 헤더
JPW1	24핀 ATX 주전원 커넥터 (필수)
JPW2	8핀 CPU 전원 커넥터 (필수)
JRLED1/JRLED2	RGB LED전원 커넥터, JRLED1은 PCH RGB 도광판에 연결되고, JRLED2는후면 I/O도 광판에 연결됩니다 (5V)
JRLED3/JRLED4	12V RGB 헤더 *12V RGB LED 조명 스트립 설치에 대해서는 7 페이지를 참조하십시오
JSD1	SATA DOM (Disk-On-Module) 전원 커넥터
JSPDIF_OUT	Sony/Philips 디지털 인터페이스 (S/PDIF) 출력 헤더
JSTBY1	대기 전원 헤더
JTPM1	신뢰할 수 있는 플랫폼 모듈 (TPM) 헤더
JVR2	공장 제조 세트 관찰
KB/MOUSE	PS/2 키보드/마우스 포트
LAN1/LAN2	RJ45 GbE/10GbE 랜 포트
PCI-E M.2-E1	WIFI+BT
PCI-E M.2-M1/M.2-M2	PCI-E M.2 커넥터 1과 2, 작은 폼팩터 장치 및 기타 고속 NVMe SSD용 휴대용 장치
SYS_FAN1/FAN2/FAN3	시스템 팬 헤더
USB 0/1	전면 패널 사용 USB 2.0 포트 (검정색)
USB 2/3	후면 패널 USB 3.1 Gen1 헤더 (청색)
USB 4/5, 6/7	후면 패널 USB 3.1 Gen2 헤더, USB4/6/7 : Type A, USB5 : Type C (적색)
USB 8/9	전면 패널 사용 USB 3.1 Gen1 헤더 (검정색)
USB 10	전면 패널 사용 USB 3.1 Gen2 헤더 (검정색)

연락처 정보

- www.supermicro.com (이메일: support@supermicro.com)
- 설명서: <http://www.supermicro.com/support/manuals>
- 드라이버 & 유틸리티: <https://www.supermicro.com/wftp/driver/>
- 안전 정보: http://www.supermicro.com/about/policies/safety_information.cfm

LED 표시

LED 표시등

LED	설명	색상/상태
BOOT LED	부팅 장치 POST (부팅 시 자체 테스트) 상태	부팅장치 POST : 적색 ON 부팅장치 POST 완료 시 : 꺼짐
CPU LED	CPU POST (부팅 시 자체 테스트) 상태	CPU POST : 노랑 ON , 완료 시 : 꺼짐
D9017/D9019	CPU PCI-E x16 슬롯 상태 LED	녹색 표시 등 : x16모드 주황색 표시 등 : x8 /x4 /x1모드
DIMM LED	시스템 메모리 POST (부팅 시 자체 테스트) 상태	시스템 메모리 POST : 파란색 ON, 완료 시 : 꺼짐
LED1	전원 켜짐 : 녹색 ON S3 (메모리 대기모드 시) LED	전원 켜짐 : 녹색 ON S3 : 녹색 깜빡 거림
LED4	진단 LED	에러 진단 코드 표 판독
LED5	PCI-E M.2 커넥터1 LED	PCI-E 장치 감지 시 : 녹색 ON , 동작 시 : 녹색 깜빡 거림
LED6	PCI-E M.2 커넥터 2 LED	PCI-E 장치 감지 시 : 녹색 ON , 동작 시 : 녹색 깜빡 거림
VGA LED	내장 VGA POST (부팅 시 자체 테스트) 상태	내장 VGA POST : 녹색 ON , 완료 시 : 꺼짐

CPU & 메모리 지원

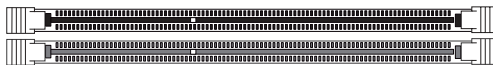
C9Z390-CG(W)은 8/9 세대 Intel® Core™ i9/i7/i5/i3/Pentium®/Celeron® 프로세서, 최대 64GB의 Unbuffered (UDIMM) non-ECC DDR4 메모리, 4개의 288핀 메모리 슬롯에 3733+MHz (OC) ~2666/2400 MHz (CPU에 의한) 를 지원합니다. 이 DIMM 슬롯에 동일한 유형과 크기의 메모리 모듈 한 쌍을 설치하면 메모리 인터리빙을 통해 메모리 성능이 향상됩니다.

- 참고 :** 1) 메모리 최적화를 위해 Supermicro 에서 인가한 DIMM 모듈만 사용하십시오. 최신 메모리 업데이트는 저희 웹사이트 <http://www.supermicro.com/products/motherboard>를 참조하십시오.
2) 전원 코드는 항상 마지막에 연결하고 하드웨어 부품을 추가, 제거 또는 변경하기 전에 분리하십시오.
3) 시스템을 부팅 할 때는 반드시 8/9 세대 Intel® Core™ i9/i7/i5/i3/Pentium®/Celeron® 프로세서를 사용해야 하며 그렇지 않으면 부팅이 되지 않습니다.

DIMM 메모리 설치

↑ CPU 방향

DIMMA1 (검정 슬롯)



DIMMA2 (회색 슬롯)

DIMMB1 (검정 슬롯)



DIMMB2 (회색 슬롯)

메모리 설치 지침

메모리 모듈을 설치할 때 DIMM 슬롯에 다음 순서로 설치해야 합니다 : DIMMA2, DIMMB2, DIMMA1, DIMMB1.

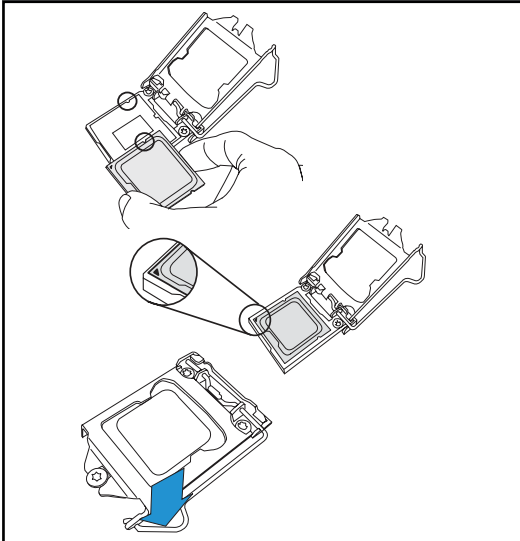
- 항상 같은 크기, 유형 및 속도의 DDR4 DIMM 모듈을 사용하십시오.
- 다른 속도의 DIMM을 설치할 수는 있지만 모든 DIMM은 가장 느린 DIMM 속도로 실행됩니다.

권장 설치 (밸런스)				
DIMMB2	DIMMA2	DIMMB1	DIMMA1	총 시스템 메모리
4GB	4GB			8GB
4GB	4GB	4GB	4GB	16GB
8GB	8GB			16GB
8GB	8GB	8GB	8GB	32GB
16GB	16GB			32GB
16GB	16GB	16GB	16GB	64GB

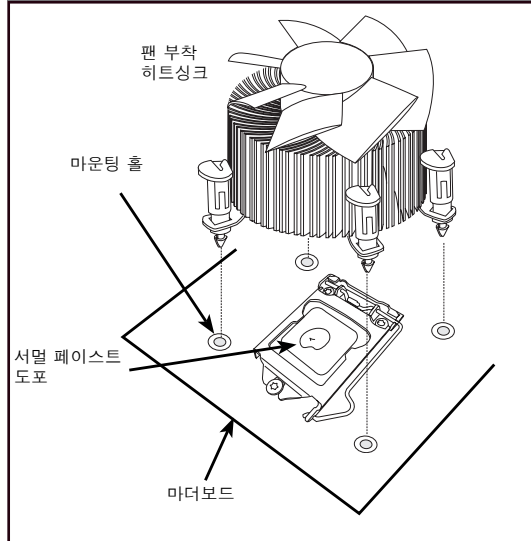
참고

- 빠른 설치 가이드에 사용된 이미지는 예시용일 뿐입니다. 실제 부품은 본 가이드에 있는 그림과 정확하게 일치하지 않을 수도 있습니다.
- 접퍼, 커넥터, LED 표시등, 메모리 지원 및 CPU/마더보드 설치에 대한 자세한 설명은 사용 설명서의 제2장을 참조하십시오.

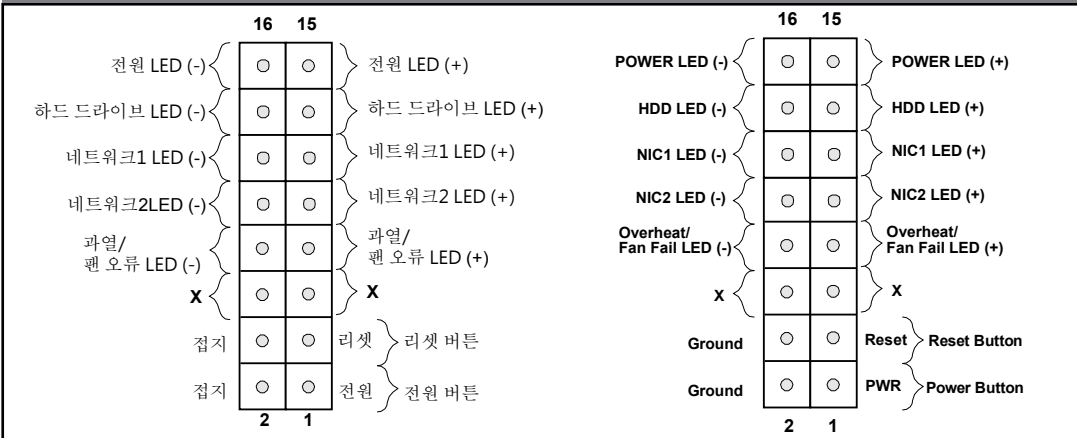
CPU 설치



히트싱크 설치

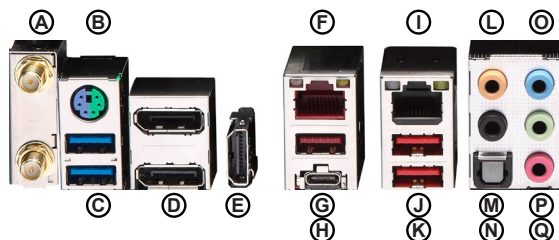


전면 제어 패널 (JF1)



후면 패널 I/O 커넥터

A. WIFI+BT (C9Z390-CGW전용)	F. 1Gb RJ45 LAN 포트1	K. USB 3.1 Gen2 포트 7 (Type A)	P. 라인 출력
B. PS/2 키보드/마우스 포트	G. USB 3.1 Gen2 포트 4 (Type A)	L. Center/LFE 출력	Q. 마이크 입력
C. USB 3.1 Gen1 포트 2/3	H. USB 3.1 Gen2 포트 5 (Type C)	M. S/PDIF 출력	
D. 디스플레이 1.2 포트 1/2	I. 10Gb RJ45 LAN 포트2 (C9Z390-CGW전용)	N. 라인 입력	
E. HDMI 1.4b 포트	J. USB 3.1 Gen2 포트 6 (Type A)	O. 서라운드 출력	



Notes

Notes

Notes

Notes

Notes

Notes



SUPER™

Server Quality, Built for Gaming

QUICK REFERENCE GUIDE

Revision 1.0 a