

# H3C WA5530X Access Point Installation Guide

New H3C Technologies Co., Ltd.  
<http://www.h3c.com>

Document version: 5W100-20190702

**Copyright © 2019, New H3C Technologies Co., Ltd. and its licensors**

**All rights reserved**

No part of this manual may be reproduced or transmitted in any form or by any means without prior written consent of New H3C Technologies Co., Ltd.

**Trademarks**

Except for the trademarks of New H3C Technologies Co., Ltd., any trademarks that may be mentioned in this document are the property of their respective owners.

**Notice**

The information in this document is subject to change without notice. All contents in this document, including statements, information, and recommendations, are believed to be accurate, but they are presented without warranty of any kind, express or implied. H3C shall not be liable for technical or editorial errors or omissions contained herein.

**Environmental protection**

This product has been designed to comply with the environmental protection requirements. The storage, use, and disposal of this product must meet the applicable national laws and regulations.

# Preface

This installation guide describes the installation procedure for the H3C WA5530X Access Point .

This preface includes the following topics about the documentation:

- [Audience.](#)
- [Conventions.](#)
- [Documentation feedback.](#)

## Audience

This documentation is intended for:

- Network planners.
- Field technical support and servicing engineers.
- Network administrators working with the WA5530X.

## Conventions

The following information describes the conventions used in the documentation.





### Command conventions

Convention	Description
<b>Boldface</b>	<b>Bold</b> text represents commands and keywords that you enter literally as shown.
<i>Italic</i>	<i>Italic</i> text represents arguments that you replace with actual values.
[ ]	Square brackets enclose syntax choices (keywords or arguments) that are optional.
{ x   y   ... }	Braces enclose a set of required syntax choices separated by vertical bars, from which you select one.
[ x   y   ... ]	Square brackets enclose a set of optional syntax choices separated by vertical bars, from which you select one or none.
{ x   y   ... } *	Asterisk marked braces enclose a set of required syntax choices separated by vertical bars, from which you select a minimum of one.
[ x   y   ... ] *	Asterisk marked square brackets enclose optional syntax choices separated by vertical bars, from which you select one choice, multiple choices, or none.
&<1-n>	The argument or keyword and argument combination before the ampersand (&) sign can be entered 1 to n times.
#	A line that starts with a pound (#) sign is comments.













### GUI conventions

Convention	Description
<b>Boldface</b>	Window names, button names, field names, and menu items are in Boldface. For example, the <b>New User</b> window opens; click <b>OK</b> .
>	Multi-level menus are separated by angle brackets. For example, <b>File &gt; Create &gt; Folder</b> .

## Symbols

Convention	Description
 <b>WARNING!</b>	An alert that calls attention to important information that if not understood or followed can result in personal injury.
 <b>CAUTION:</b>	An alert that calls attention to important information that if not understood or followed can result in data loss, data corruption, or damage to hardware or software.
 <b>IMPORTANT:</b>	An alert that calls attention to essential information.
<b>NOTE:</b>	An alert that contains additional or supplementary information.
 <b>TIP:</b>	An alert that provides helpful information.

## Network topology icons

Convention	Description
	Represents a generic network device, such as a router, switch, or firewall.
	Represents a routing-capable device, such as a router or Layer 3 switch.
	Represents a generic switch, such as a Layer 2 or Layer 3 switch, or a router that supports Layer 2 forwarding and other Layer 2 features.
	Represents an access controller, a unified wired-WLAN module, or the access controller engine on a unified wired-WLAN switch.
	Represents an access point.
	Represents a wireless terminator unit.
	Represents a wireless terminator.
	Represents a mesh access point.
	Represents omnidirectional signals.
	Represents directional signals.
	Represents a security product, such as a firewall, UTM, multiservice security gateway, or load balancing device.
	Represents a security module, such as a firewall, load balancing, NetStream, SSL VPN, IPS, or ACG module.

## Examples provided in this document

Examples in this document might use devices that differ from your device in hardware model, configuration, or software version. It is normal that the port numbers, sample output, screenshots, and other information in the examples differ from what you have on your device.

# Documentation feedback

You can e-mail your comments about product documentation to [info@h3c.com](mailto:info@h3c.com).

We appreciate your comments.

# Contents

Preparing for installation .....	1
Examining the installation site .....	1
Installation site selection .....	1
Temperature and humidity requirements .....	1
Power supply .....	1
Grounding and lightning protection .....	2
Installation accessories .....	3
Installation tools and equipment .....	3
Installing the AP .....	5
Pre-installation tasks .....	5
Installation flowchart .....	6
Connecting the grounding cable .....	7
Connecting Ethernet cables .....	7
Installing the AP .....	8
Attaching the AP bracket to the AP .....	8
Pole-mounting the AP .....	9
Wall-mounting the AP .....	11
Positioning the AP .....	13
Connecting IoT access units .....	14
Connecting the AP to the power source .....	14
Connecting the PoE power supply .....	15
Connecting a power injector .....	15
Labeling cables .....	17
Verifying the installation .....	17
Powering on the AP .....	17
Verifying the network connection .....	18
Appendix A Technical specifications .....	19
Appendix B LEDs and ports .....	20
LEDs .....	20
Ports .....	21
Optional transceiver modules .....	22
Transceiver module, fiber connector, and optical fiber views .....	22
Transceiver module specifications .....	22
Appendix C Antenna radiation patterns .....	25

# Preparing for installation



## WARNING!

Install the AP under the guidance of technical engineers and read this chapter before installation.

## Examining the installation site

The AP is used for outdoor installation. Before installation, examine the installation site to ensure that the AP will work in a good environment.

## Installation site selection

The installation site must be selected according to the network planning and technical requirements of telecommunications equipment, with factors such as climate, hydrology, geology, earthquake, electric power, and transportation taken into consideration.

The location for installing the AP must meet the following requirements:

- Not exposed to high temperature, dust, harmful gases, electromagnetic interference sources (high power radars, radio stations, or electrical substations), unstable voltage, heavy vibration, and loud noise.
- Dry, without any leakage, dripping, or dew.
- Away from inflammable and explosive substances.
- More than 5 m (16.40 ft) away from 3G and 4G base stations and antennas.
- The AP uses built-in directional antennas. For the optimal coverage, make sure the installation height does not exceed 5 m (16.40 ft) and no obstacles exist in front of the AP.

## Temperature and humidity requirements

Table 1 Temperature and humidity requirements

Item	Specification
Operating temperature	-40°C to +65°C (-40°F to +149°F)
Storage temperature	-40°C to +85°C (-40°F to +185°F)
Operating humidity	0% RH to 100% RH, non-condensing
Storage humidity	0% RH to 100% RH, non-condensing
Waterproof IP rating	IP67

## Power supply

You can power the AP by using a power injector or through PoE. No power injector is provided with the AP. You can use an H3C power injector. See "[Connecting the AP to the power source](#)" for the connection method.

# Grounding and lightning protection

The AP must be reliably grounded. Make sure the grounding points of the grounding conductor of the AP, lightning arrestors, PE wire of the power cord, and antenna support are separate from each other, make good contact, and are securely connected and treated with corrosion protection.

## Ground resistance

The ground resistance is usually required to be less than 5 ohms, and less than 10 ohms in an area with less than 20 thunderstorm days a year. If a piece of angle steel is buried as the grounding conductor, the ground resistance is required to be less than 10 ohms. In an area with a higher ground resistance, reduce the ground resistance by using brine or resistance reducing agent around the grounding conductor.

The top of the grounding conductor must be a minimum of 0.7 m (2.30 ft) away from the ground surface. In cold areas, the grounding conductor must be buried below the frozen soil layer.

## Grounding conductor

If a grounding strip is available, connect the yellow and green grounding cable (user supplied) to the grounding strip. To make a grounding cable, make sure the cable has a cross-section area of a minimum of  $6 \text{ mm}^2$  ( $0.01 \text{ in}^2$ ) and a length of no longer than 3 m (9.84 ft).

If no grounding strip is available, bury a piece of angle steel/steel tube a minimum of 0.5 m (1.64 ft) long in the earth to act as the grounding conductor. It must be zinc-plated.

- In the case of a piece of angle steel, the size must be a minimum of  $50 \times 50 \times 5 \text{ mm}$  ( $1.97 \times 1.97 \times 0.20 \text{ in}$ ).
- In the case of a piece of steel tube, it must have a wall thickness of a minimum of 3.5 mm (0.14 in). Weld the yellow and green grounding cable of the AP onto the grounding conductor and use anti-erosion treatment on the welding joint. With a cross-section area of a minimum of  $6 \text{ mm}^2$  ( $0.01 \text{ in}^2$ ), the grounding cable must be as short as possible and must not be coiled.

Make sure the grounding terminals of all the lightning arrestors of the AP and the peer device of the AP are reliably grounded.

## Ground lead

A ground lead is a metal conductor connecting a grounding net and a grounding strip. The grounding cable of the AP must be connected to the grounding strip. The ground lead must be 30 m (98.43 ft) or shorter. A piece of zinc-coated flat steel with a cross-section area of  $40 \times 4 \text{ mm}$  ( $1.57 \times 0.16 \text{ in}$ ) or  $50 \times 5 \text{ mm}$  ( $1.97 \times 0.20 \text{ in}$ ) is recommended. Connect the grounding strip and the ground lead of the AP through the yellow and green grounding cable with an area of  $35 \text{ mm}^2$  ( $0.05 \text{ in}^2$ ), or weld them directly. Use anti-erosion treatment on the welding joint.

## Power grounding (AC)

Use a power cord with a protective earth (PE). Do not use a power cord with only an L line and an N line.

The neutral line of the power cord must not be connected with the PGND of other communications equipment. The L and N lines cannot be connected.

## Lightning rod

The lightning protection grounding (for example, the grounding of the lightning rod) must be connected to the grounding conductor of the equipment room.

The lightning rod must be tall enough to protect the AP and its antennas.

In plain areas, the shielding angle of the lightning rod must be less than 45 degrees. In mountainous areas or lightning areas, the shielding angle must be less than 30 degrees.



## Ethernet cable

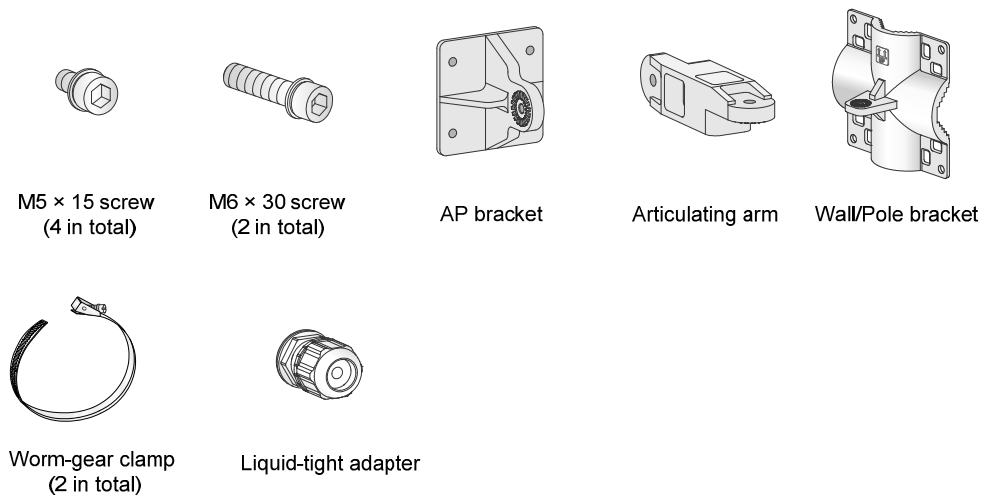
Use a shielded twisted pair cable for outdoor installation. Make sure the devices at the two ends of the cable are reliably grounded.

If a metal tube is used, make sure the Ethernet cable is reliably grounded at both ends of the tube.

## Installation accessories

Figure 1 lists the installation accessories provided with the AP. Figure 2 lists the installation accessories to be prepared by users.

**Figure 1 Installation accessories provided with the AP**



**Figure 2 Installation accessories to be prepared by users**



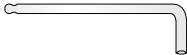
## Installation tools and equipment

When installing the AP, you might need the following tools. Prepare these tools and equipment yourself as required.

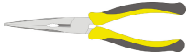
**Figure 3 Installation tools and equipment**



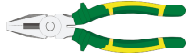
Phillips screwdriver



Allen wrench



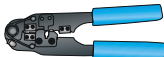
Needle-nose pliers



Wire stripper



Heat gun



Crimping tool



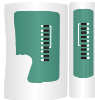
Rubber hammer



Hammer drill



ESD wrist strap



Network cable tester



Ladder



Marker

# Installing the AP

---

**ⓘ IMPORTANT:**

To ensure radio coverage, have the AP installed by technical personnel as a best practice.

---

When you install the AP, follow these restrictions and guidelines:

- The AP is large and heavy. Avoid bodily injury and device damage during the installation.
- If you install the AP on a pole, make sure the pole is vertical to the ground and iron components have been treated with corrosion protection.
- If you pole-mount the AP on the top of a building, make sure the AP does not project beyond the sides of the building.
- To avoid high temperature caused by exposure to the sun, install the AP in a place without or with less direct sunlight and take protection measures if necessary.

## Pre-installation tasks

Before installing an AP, perform the following tasks:

- Connect the AP to the power source and the network. Examine the LED to verify that the AP can operate correctly. For more information about the AP LED, see "[Appendix B LEDs and ports.](#)"
- Verify that cabling at the installation site has been completed.
- Record the AP MAC address and serial number marked on the rear of the AP for future use.

# Installation flowchart

Figure 4 Installation flowchart



# Connecting the grounding cable

## ⚠ CAUTION:

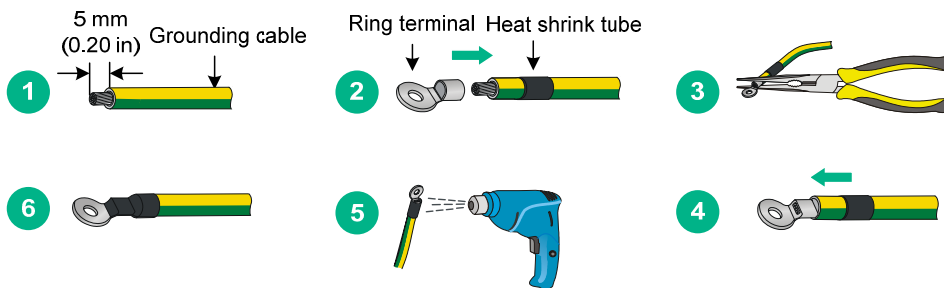
- Correctly connecting the grounding cable is crucial to lightning protection and EMI protection.
- Before connecting the AP to a power injector, make sure the AP has been reliably grounded using the grounding cable.

The AP is not provided with a grounding cable. Prepare one yourself.

To connect the grounding cable to the AP:

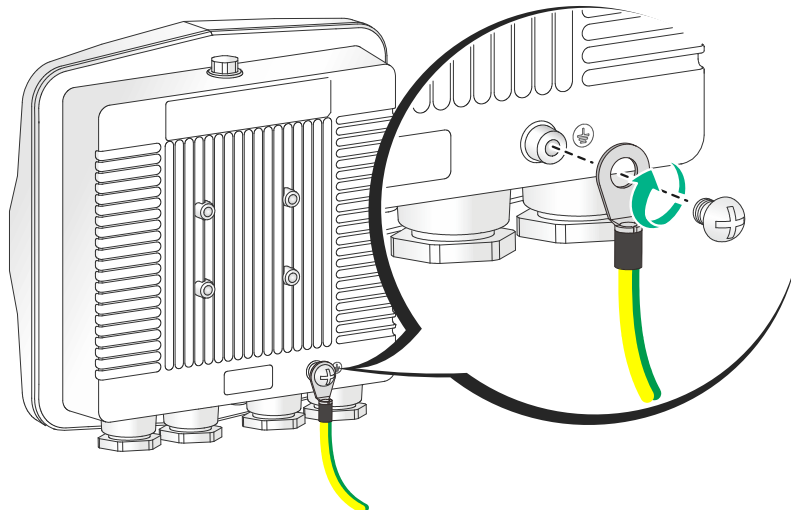
1. Attach the ring terminal to the grounding cable.

**Figure 5 Attaching the ring terminal to the grounding cable**



2. Attach the ring terminal of the grounding cable to the grounding screw on the AP. Connect the other end of the grounding cable to the earth.

**Figure 6 Attaching the grounding cable to the AP**



# Connecting Ethernet cables

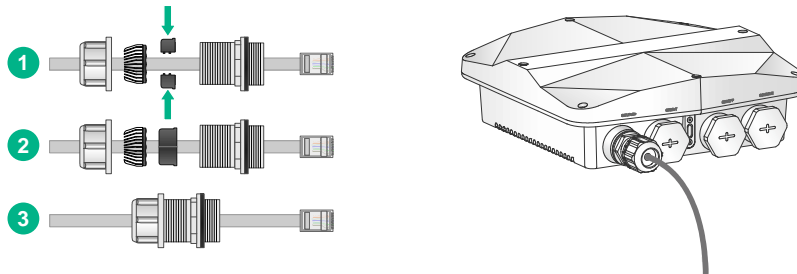
## ⚠ IMPORTANT:

Only CAT5e and above Ethernet cables can be used. As a best practice, use shielded twisted pair (STP) cables.

To connect an Ethernet cable:

1. Disassemble the liquid-tight adapter and detach the rubber split sealing washer.
2. Feed the Ethernet cable through the liquid-tight adapter and attach the split sealing washer.
3. Connect the Ethernet cable to the target port on the AP.
4. Fasten the liquid-tight adapter and sealing nut.

**Figure 7 Connecting an Ethernet cable to the AP**



## Installing the AP

### Attaching the AP bracket to the AP

**△ CAUTION:**

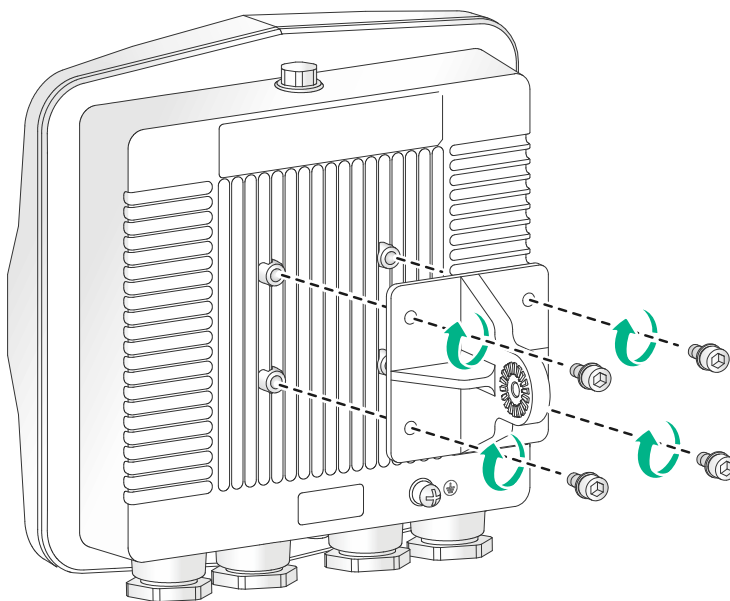
Keep the protective vent port closed on the AP. Do not open it.

Before mounting the AP on a wall or pole, attach the AP bracket to it.

To attach the AP bracket to the AP:

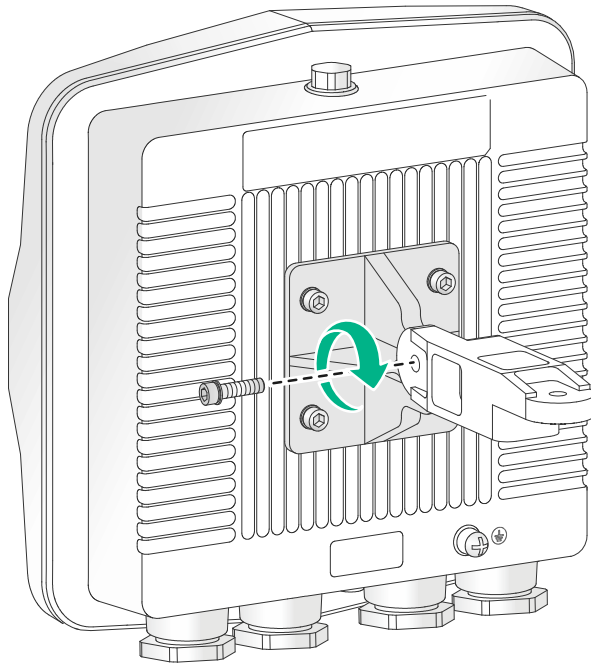
1. Align the mounting holes in the AP bracket with the screw holes in the rear of the AP. Use M5 screws to attach the AP bracket to the AP.

**Figure 8 Attaching the AP bracket to the AP**



2. Use an M6 screw to attach the articulating arm to the AP bracket.

**Figure 9 Attaching the articulating arm to the AP bracket**



## Pole-mounting the AP

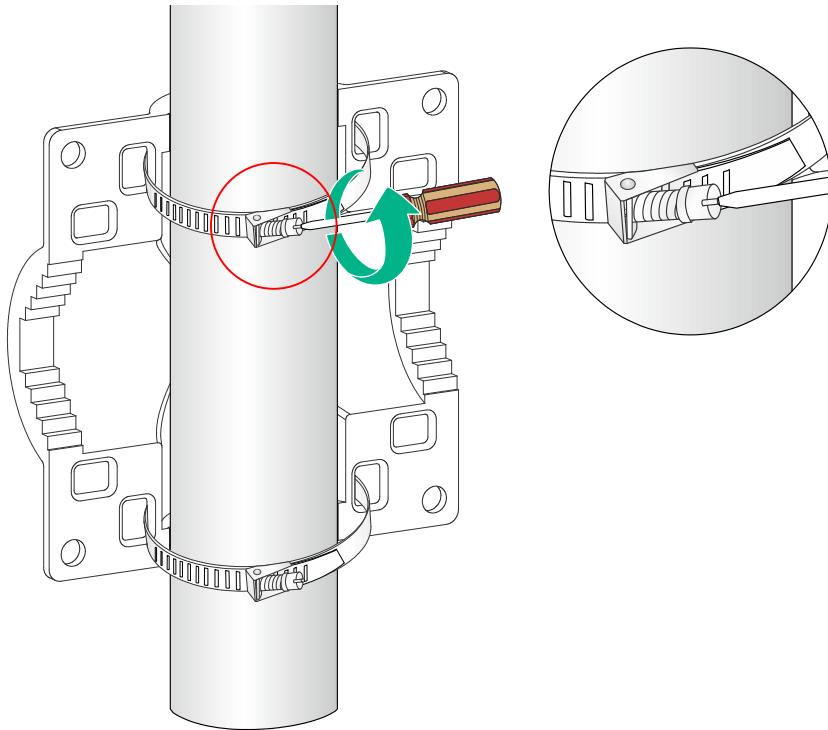
Worm-gear clamps and a wall/pole bracket are required to pole-mount the AP. The worm-gear clamp provided with the AP is applicable to poles with a diameter of 65 to 90 mm (2.56 to 3.54 in). If the diameter of the pole is not in the range, prepare worm-gear clamps yourself.

You can mount the AP on a vertical or horizontal pole.

### Mounting the AP on a vertical pole

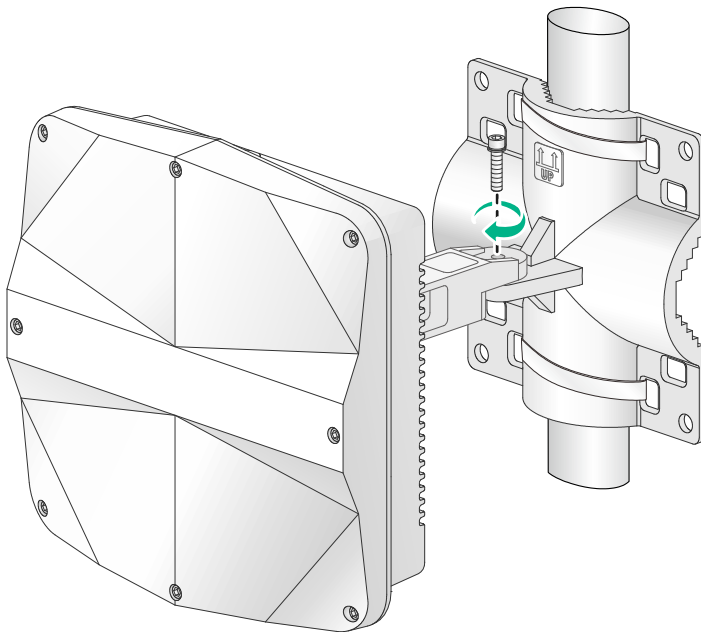
1. Pass the worm-gear clamps through the mounting holes in the wall/pole bracket. Use the worm-gear clamps to secure the wall/pole bracket to the vertical pole and fasten the nuts.

**Figure 10 Securing the wall/pole bracket to the pole**



2. Use an M6 screw to secure the articulating arm (attached to the AP) to the wall/pole bracket.

**Figure 11 Securing the AP to the wall/pole bracket**

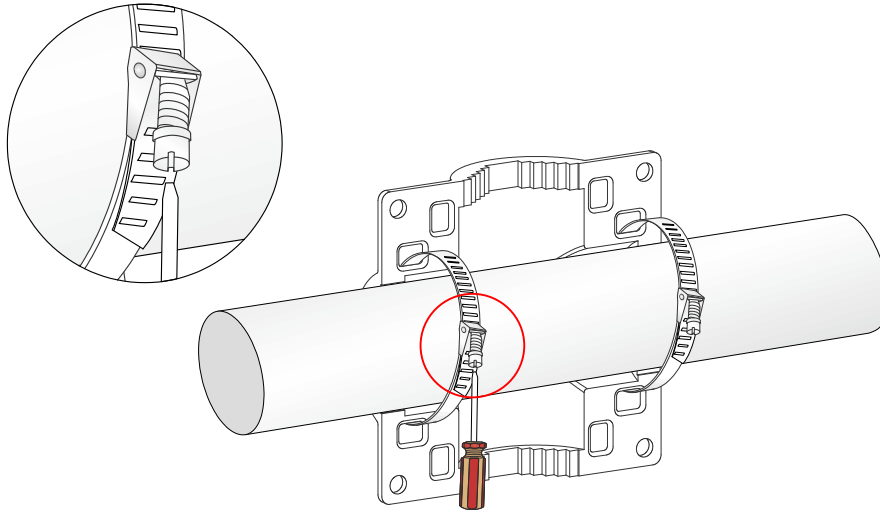


### **Mounting the AP on a horizontal pole**

1. Pass the worm-gear clamps through the mounting holes in the wall/pole bracket. Use the worm-gear clamps to secure the wall/pole bracket to the horizontal pole and fasten the nuts.

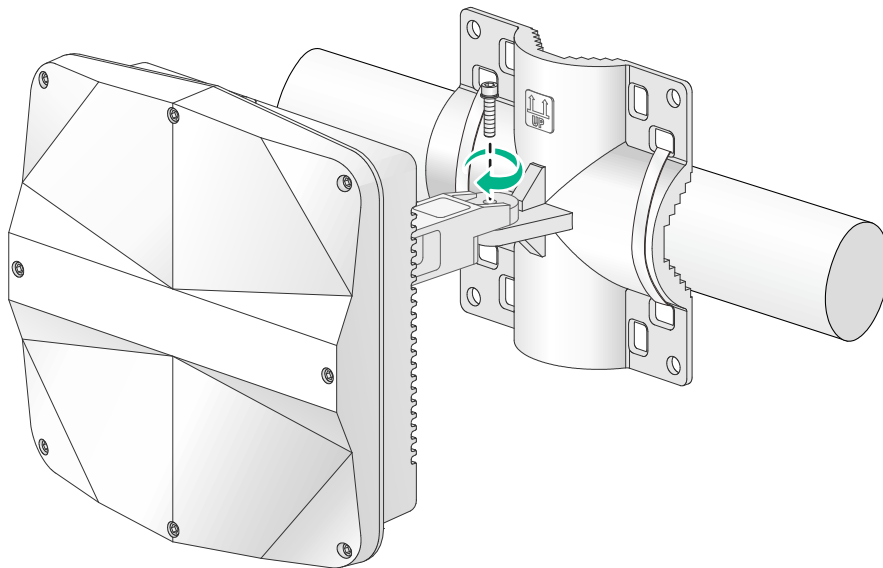


**Figure 12 Securing the wall/pole bracket to the pole**



2. Use an M6 screw to secure the articulating arm (attached to the AP) to the wall/pole bracket.

**Figure 13 Securing the AP to the wall/pole bracket**



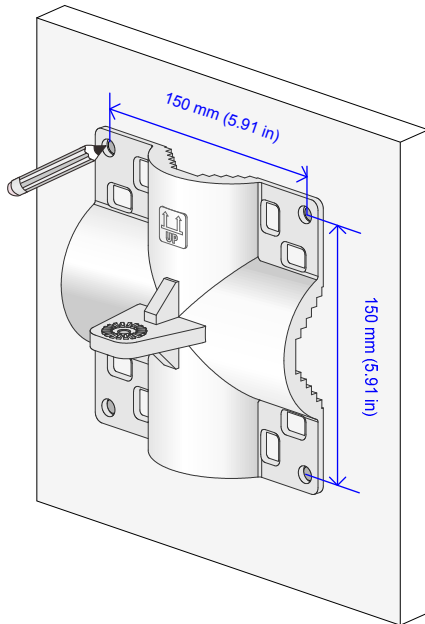
## Wall-mounting the AP

No expansion bolts are provided with the AP. Prepare them yourself.

To wall-mount the AP:

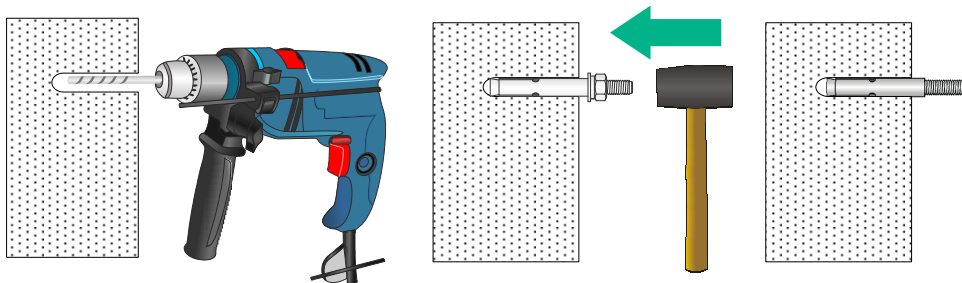
1. Use the AP bracket as a template to mark installation hole locations on the wall.

**Figure 14 Marking installation hole locations on the wall**



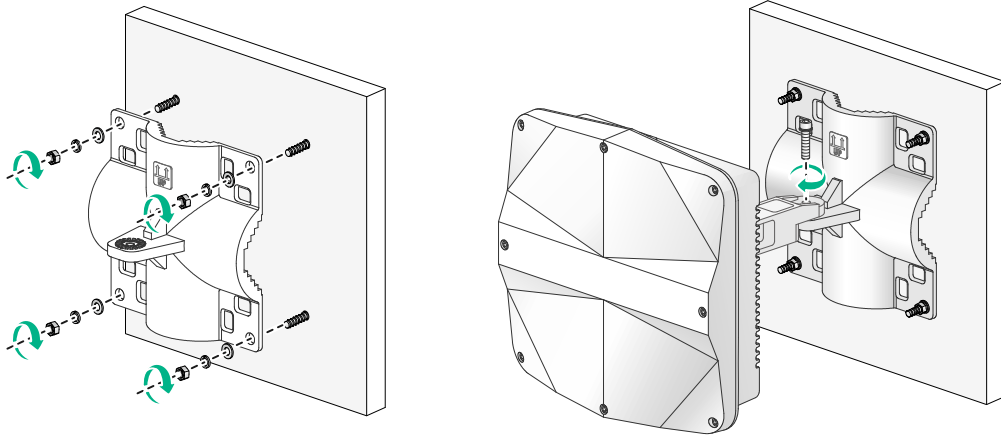
2. Drill holes with a diameter of 8 mm (0.32 in) at the marked locations, as shown in [Figure 15](#). When you drill holes, follow these restrictions and guidelines:
  - Hold the drill handle with both hands, with the bit vertical to the wall surface, and prevent wall damage or tilted holes.
  - If the wall surface is too solid and slippery to locate the bit, punch a notch first.
  - Each hole must have the same depth.
3. Hammer expansion bolts into the holes and remove the nut and washers from each bolt. Do not hammer the expansion bolts all the way into the wall and leave some space for hanging the AP.

**Figure 15 Installing expansion bolts**



4. Hang the AP on the expansion holes and fasten the screws to secure the wall/pole bracket to the wall, as shown in [Figure 16](#).
5. Use an M6 screw to secure the articulating arm (attached to the AP) to the wall/pole bracket.

**Figure 16 Securing the AP to the wall**

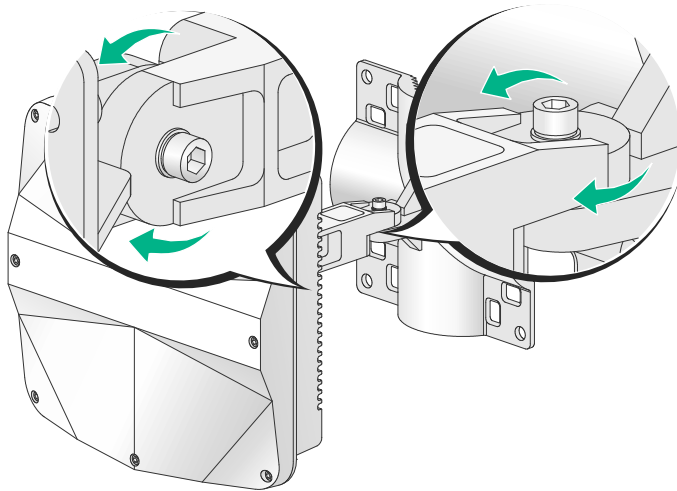


## Positioning the AP

The AP uses built-in antennas. After the AP installation, you can position the AP as required based on the antenna radiation patterns as shown in "[Appendix C Antenna radiation patterns.](#)"

To adjust the AP to the desired elevation angle, loosen the screw that attaches the articulating arm to the AP bracket. To adjust the AP to the desired azimuth angle, loosen the screw that attaches the articulating arm to the wall/pole bracket.

**Figure 17 Adjusting the AP**



# Connecting IoT access units

---

## ⚠ IMPORTANT:

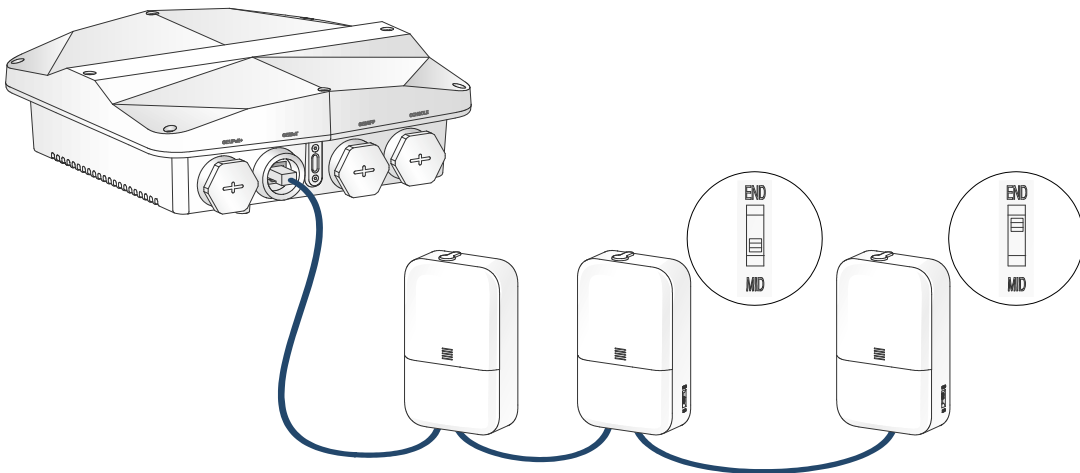
- To connect an access unit to the AP, you can use a straight-through or crossover Ethernet cable. To connect two access units, you can only use a straight-through Ethernet cable.
  - The distances between the first access unit and the AP and between the first and last access units must not exceed 100 m (328.08 ft).
  - When the AP has IoT access units connected to it, supply power to the AP by using a power injector, which can satisfy the maximum power requirement of the AP.
- 

You can connect one or multiple IoT access units to the AP, as shown in [Figure 18](#). The first IoT access unit must be a master IoT access unit (T300M-X or T310M) and other IoT access units must be extender IoT access units (T300-X or T310).

To connect IoT access units:

1. Connect the IoT port on the master IoT access unit to the IoT port of the AP.
2. Connect the OUT port on the IoT access unit to the IN port on another IoT access unit.
3. Use a flat-head screwdriver to push the slide button on each extender IoT access unit except the last one to the MID side, and push the slide button on the last access unit to the END side.

**Figure 18 Connecting IoT access units to the AP**



# Connecting the AP to the power source

---

## ⚠ CAUTION:

Make sure the installation of the AP is complete before powering on the AP.

---

You can supply power to the AP by using a power injector or through PoE. As a best practice, use a power injector to power the AP. When the AP has IoT access units connected to it, PoE cannot satisfy the maximum power requirements of the AP.

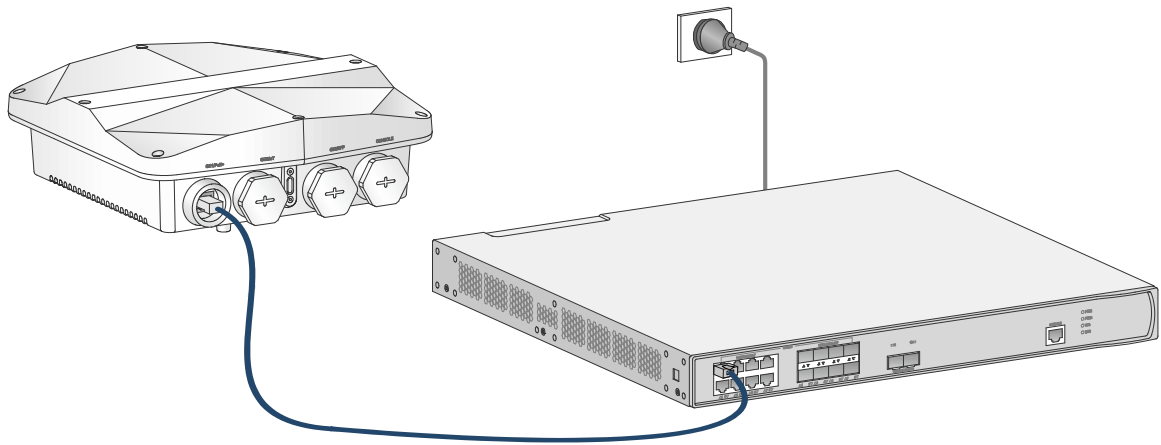
## Connecting the PoE power supply

**△ CAUTION:**

Only the GE1 port on the AP supports 802.3af/at PoE power supply. To avoid port damage, do not use the GE2/IoT port as a PoE port to receive power.

Use an Ethernet cable to connect the Ethernet port on the AP to a port on a switch that supports PoE.

**Figure 19 Connecting the PoE power supply**



## Connecting a power injector

**△ CAUTION:**

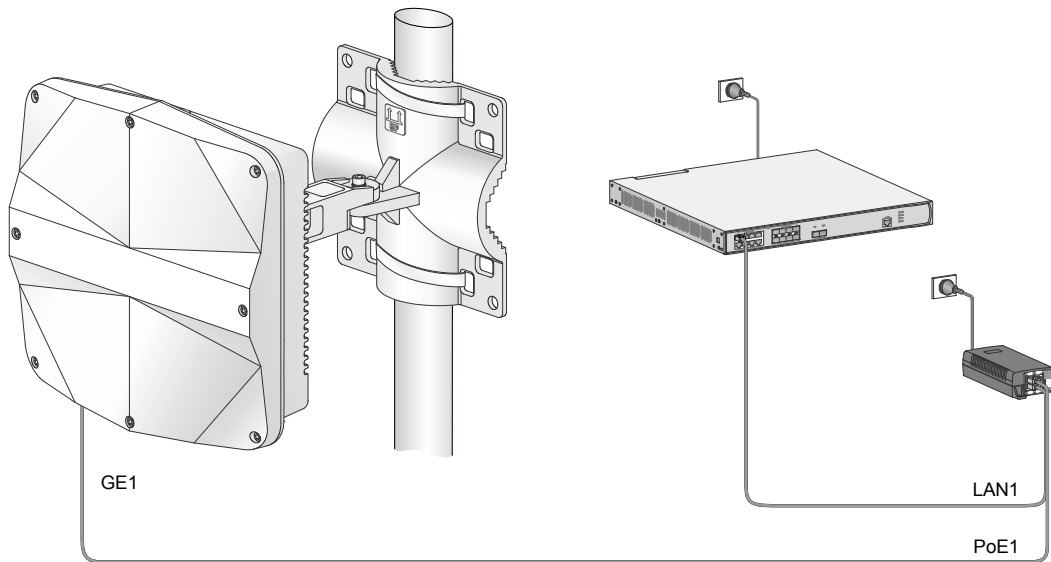
- Place the power injector stable in a well ventilated location indoors or place it in a waterproof case if used outdoors.
- If multiple power injectors are installed in one equipment room or maintenance hole, use one power strip for all these injectors and lead in the power strip from the air switch of the AC power distribution box.

The PoE1 port on the dual-port H3C power injector must be connected to the uplink network through the LAN1 port, and PoE2 through LAN2. The following procedures use the PoE1 port as an example to connect the AP.

### Connecting the AP to a power injector and to the network through the Ethernet copper port

1. Connect the power cord of the injector to an AC power source.
2. Connect the PoE1 port on the injector to the GE1 port on the AP.
3. Connect the LAN1 port on the injector to a switch or access controller.

**Figure 20 Connecting the AP to a power injector and to the network through the Ethernet copper port**



**Table 2 Dual-port H3C power injector description**

Item	Specifications
Model	ADP060-55V-PoE-GL
Input	100 V – 240 V @ 1.5 A
Output	55 V @ 1100 mA

### Connecting the AP to a power injector and to the network through the fiber port

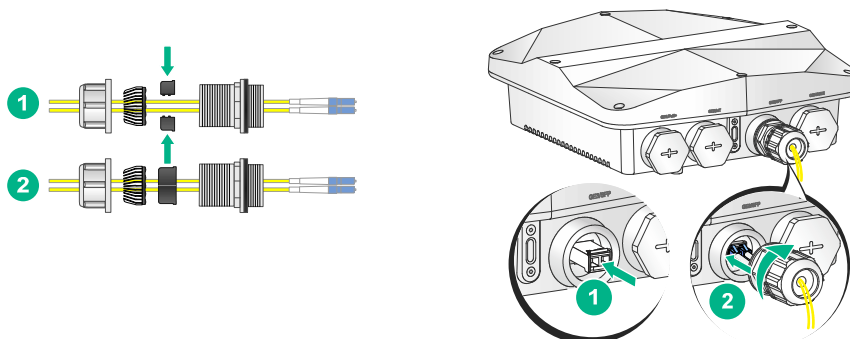
**⚠ IMPORTANT:**

To use a pigtail fiber that does not have any protective sleeve, first use liquid-tight tape to encase the exposed fiber part before you connect the fiber.

To connect the AP to a power injector and to the network through the fiber port:

1. Connect the SFP port on the AP to an Ethernet switch or access controller.

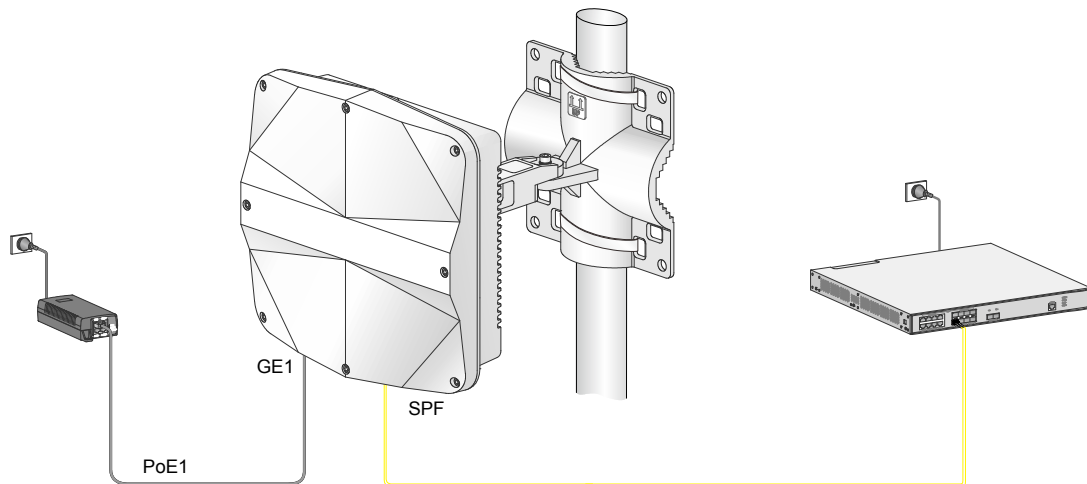
**Figure 21 Connecting an optical fiber to the SFP port on the AP**



2. Connect the power cord of the injector to an AC power source.

3. Connect the PoE1 port on the injector to the GE1 port on the AP.

**Figure 22 Connecting the AP to a power injector and the network through the fiber port**



## Labeling cables

After cable connection, attach labels to each cable as a best practice for future maintenance.

- Attach a label to both ends of a cable and every certain distance.
- Use cable flags or cable sleeves to label antenna and Ethernet cables. Use cable flags to label fiber cables.
- Use waterproof labels with clear content. Attach labels to proper places where they can be seen directly.
- Use transparent waterproof tape to seal outdoor labels.

## Verifying the installation

After the installation is complete, check the following items before powering on the AP:

- The power source meets the power specification of the AP.
- The AP is reliably grounded.
- The Ethernet cables are correctly connected.
- The cables are correctly labeled.
- The unused ports on the AP are sealed with waterproof plugs.

## Powering on the AP

### ⓘ IMPORTANT:

Make sure all cables are correctly connected and the AP is connected to the power source correctly before powering on the AP.

Switch on the external power source and verify that the AP is operating correctly by examining the LED on the AP. For more information about the LED, see "[Appendix B LEDs and ports.](#)"

# Verifying the network connection

All settings of the AP (in fit mode) are configured on the AC. Use the **display wlan ap all** command on the AC that connects to the AP. If the AP status is **R/M**, the AP has been connected to the network.

```
<AC> display wlan ap all
Total number of APs: 1
Total number of connected APs: 1
Total number of connected manual APs: 1
Total number of connected auto APs: 0
Total number of connected common APs: 1
Total number of connected WTUs: 0
Total number of inside APs: 0
Maximum supported APs: 3072
Remaining APs: 3071
Total AP licenses: 128
Local AP licenses: 128
Server AP licenses: 0
Remaining local AP licenses: 127
Sync AP licenses: 0
```

## AP information

State : I = Idle,      J = Join,      JA = JoinAck,      IL = ImageLoad  
          C = Config,      DC = DataCheck,      R = Run      M = Master,      B = Backup

AP name	APID	State	Model	Serial ID
ap1	1	R/M	WA5530X	219801A20F8182E00001



# Appendix A Technical specifications

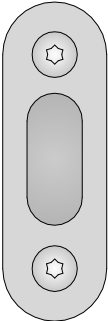
**Table 3 Technical specifications**

Item	Specification
Dimensions (H × W × D) (without the AP bracket)	79.5 × 250 × 250 mm (3.13 × 9.84 × 9.84 in)
Weight	1.8 kg (3.97 lb)
Antenna (built-in)	<ul style="list-style-type: none"> <li>• 2.4 G: 7 dBi peak gain</li> <li>• 5 G: 7 dBi peak gain</li> </ul>
System power consumption	<ul style="list-style-type: none"> <li>• 22.43 W (with no access unit connected to it)</li> <li>• ≤ 34.43W (with access units connected to it)</li> </ul>
Powering option	<ul style="list-style-type: none"> <li>• 802.3at PoE (with no access unit connected to it)</li> <li>• 802.3af PoE (when the AP does not have access units connected to it and operates in 1×1 MIMO radio mode)</li> <li>• Power injector</li> </ul> <p>When the AP has IoT access units connected to it, 802.3at/af PoE cannot satisfy the maximum power requirement of the AP. Use a power injector to power the AP.</p>
Protocol compliance	IEEE802.11a/b/g/n/ac Wave 2

# Appendix B LEDs and ports

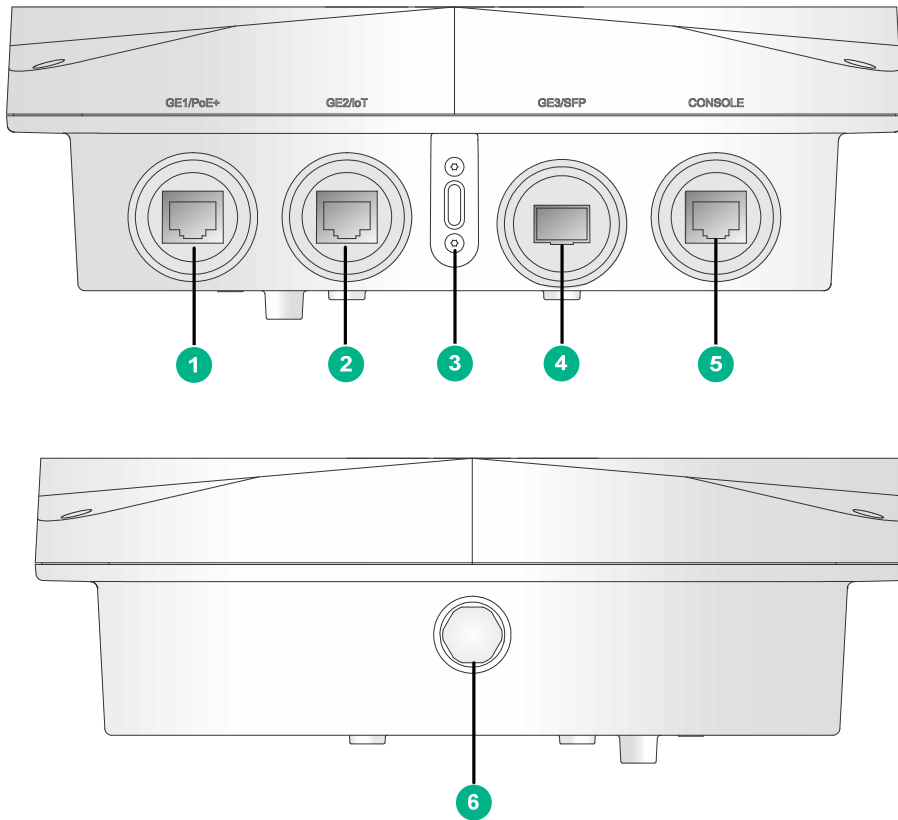
## LEDs

Table 4 LED description

LED	Status		Description
	N/A	Off	No power is present.
	Yellow	Flashing at 1 Hz	No radios have been detected.
		Flashing at 2 Hz	The Ethernet interfaces have not started up and no mesh links are established.
		Steady on	The AP is initializing.
	Green	Flashing at 0.5 Hz)	The AP is starting up.
		Flashing at 1 Hz	Only the 2.4G radio has associated clients.
		Flashing at 2 Hz	The AP is upgrading the image.
		Steady on	The AP has registered on an AC, but does not have any associated clients.
	Blue	Flashing at 1 Hz	Only the 5G radio has associated clients.
	Alternating between green and yellow at 1 Hz		Both the 2.4G and 5G radios have associated clients.

# Ports

Figure 23 Ports on the AP



(1) 10/100/1000M Ethernet port (GE1/PoE+)	(2) 10/100/1000M Ethernet port (GE2)
(3) LED	(4) 1000BASE-X SFP port (GE3/SFP)
(5) Console port (CONSOLE)	(6) Protective vent port

Table 5 Port description

Port	Standards and protocols	Description
10/100/1000M Ethernet port (GE1/PoE+)	<ul style="list-style-type: none"> <li>IEEE802.3</li> <li>IEEE802.3u</li> <li>IEEE802.3af</li> <li>IEEE802.3at</li> </ul>	<p>Used for connecting the AP to an uplink device for Internet or MAN access. It can also receive PoE power from the uplink device.</p> <p>It is represented by interface number GE1/0/1 in the MAP file or gigabitethernet 1 in AC configurations.</p>
10/100/1000M Ethernet port (GE2/IoT)	<ul style="list-style-type: none"> <li>IEEE802.3</li> <li>IEEE802.3u</li> </ul>	<p>An IoT interface, used for connecting a downlink IoT access unit to the AP.</p> <p>It is represented by interface number GE1/0/2 in the MAP file or gigabitethernet 2 in AC configurations.</p>

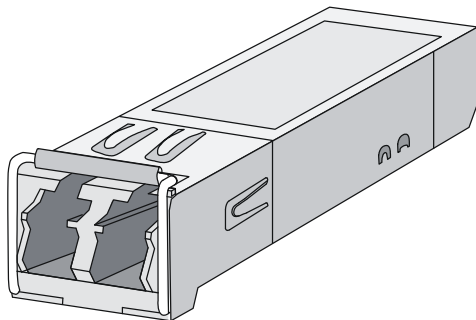
Port	Standards and protocols	Description
1000BASE-X SFP port (GE3/SFP)	<ul style="list-style-type: none"> <li>IEEE802.3</li> <li>SFP MSA</li> <li>SFF-8472</li> </ul>	<p>Used for connecting the AP to an uplink device for Internet or MAN access.</p> <p>It is represented by interface number GE1/0/3 in the MAP file or gigabitethernet 3 in AC configurations.</p>
Console port (CONSOLE)	RS/EIA-232	Used by maintenance personnel for device configuration and management only.

## Optional transceiver modules

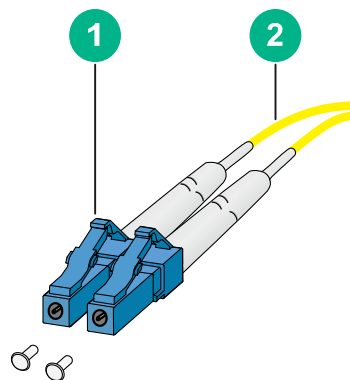
### Transceiver module, fiber connector, and optical fiber views

To connect an SFP fiber port, use an SFP transceiver module and an optical fiber with LC connectors.

**Figure 24 SFP transceiver module**



**Figure 25 Optical fiber with LC connectors**



(1) LC connector

(2) Optical fiber

## Transceiver module specifications

The transceiver modules that have **MM** and **SM** in their names support multi-mode optical fibers and single-mode optical fibers, respectively.

**Table 6 SFP-GE-SX-MM850-A specifications**

Item	Specification
Central wavelength	850 nm
Max transmission distance	550 m (1804.46 ft)
Data rate	1250 Mbps
Connector type	Duplex LC
Fiber mode	MMF
Fiber diameter	50 $\mu$ m
Transmit power	-9.5 to 0 dBm
Receive sensitivity	$\leq -17$ dBm
Saturation	$\leq -3$ dBm

**Table 7 SFP-GE-LX-SM1310-A specifications**

Item	Specification
Central wavelength	1310 nm
Max transmission distance	10 km (6.21 miles)
Data rate	1250 Mbps
Connector type	Duplex LC
Fiber mode	SMF
Fiber diameter	9 $\mu$ m
Transmit power	-9.5 to -3 dBm
Receive sensitivity	$\leq -20$ dBm
Saturation	$\leq -3$ dBm

**Table 8 SFP-GE-LH40-SM1310 specifications**

Item	Specification
Central wavelength	1310 nm
Max transmission distance	40 km (24.86 miles)
Data rate	1250 Mbps
Connector type	Duplex LC
Fiber mode	SMF
Fiber diameter	9 $\mu$ m
Transmit power	-2 to +5 dBm
Receive sensitivity	$\leq -22$ dBm
Saturation	$\leq -3$ dBm

**Table 9 SFP-GE-LH40-SM1550 specifications**

<b>Item</b>	<b>Specification</b>
Central wavelength	1550 nm
Max transmission distance	40 km (24.86 miles)
Data rate	1250 Mbps
Connector type	Duplex LC
Fiber mode	SMF
Fiber diameter	9 $\mu$ m
Transmit power	-4 to +1 dBm
Receive sensitivity	$\leq -21$ dBm
Saturation	$\leq -3$ dBm

# Appendix C Antenna radiation patterns

Table 10 2.4 GHz antenna radiation patterns of the AP

Central frequency	Antenna radiation patterns	
	Vertical plane	Horizontal plane
2.4 GHz		

Table 11 5 GHz antenna radiation patterns of the AP

Central frequency	Antenna radiation patterns	
	Vertical plane	Horizontal plane
5 GHz Low Band		
5 GHz High Band		