

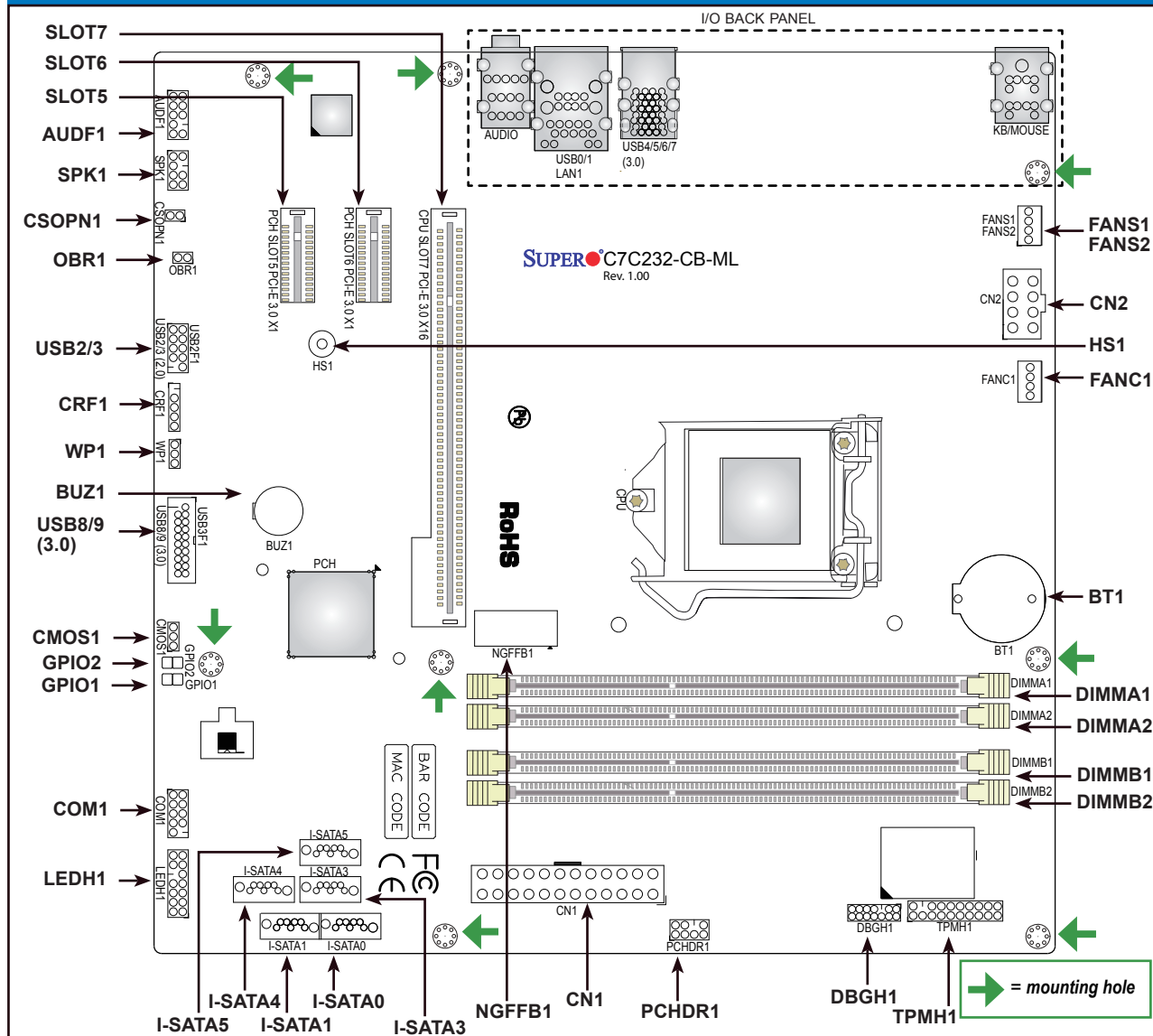
### CONTACT INFORMATION

- www.supermicro.com (Email: support@supermicro.com)
- Manuals: <http://www.supermicro.com/support/manuals>
- Drivers & Utilities: <ftp://ftp.supermicro.com>
- Safety: [http://www.supermicro.com/about/policies/safety\\_information.cfm](http://www.supermicro.com/about/policies/safety_information.cfm)

### PACKAGE CONTENTS (Applies to individual-pack only)

- One (1) Supermicro Motherboard
- Two (2) SATA Cables
- One (1) I/O Shield

## Motherboard Layout and Features



## Jumpers and Connectors

Jumpers		
Jumper	Description	Default
CMOS1	CMOS Clear	Pins 1-2 (Normal), Pins 2-3 (Clear CMOS)
WP1	BIOS Write Protect Header	Pins 1-2 (Disable)

Connectors	
Connector	Description
AUDF1	Front Panel Audio Header
AUDIO	Back Panel Audio Port
BT1	Onboard Battery
BUZ1	Internal Speaker/Buzzer
CN1	24-pin ATX Power Connector
CN2	12V 8-pin Processor Power Connector
COM1	COM Header
CRF1	Front Accessible USB 2.0 Header
CSOPN1	Case Open Detection
FANC1, FANS1/FANS2	System/CPU Fan Headers (FANC1: CPU Fan)
GPIO1/GPIO2	General Purpose I/O Headers
HS1	Mounting Hole
I-SATA0/1, I-SATA3~5	Intel® PCH SATA 3.0 Ports
KB/MOUSE	PS2 Keyboard and Mouse Ports
LAN1	LAN (RJ45) Port
LEDH1	Front Panel Header
NGFFB1	M.2 Slot
OBR1	System Recovery
PCHDR1	PC Health Header
SLOT5/SLOT6	PCH PCI-E 3.0 X1 Slots
SLOT7	CPU PCI-E 3.0 X16 Slot
SPK1	Speaker Header
TPMH1	Trusted Platform Module/Port 80 Header
USB0/1	Back Panel Universal Serial Bus (USB) 2.0 Ports
USB2/3	Front Accessible USB 2.0 Headers
USB4/5/6/7	Back Panel USB 3.0 Ports
USB8/9	Front Accessible USB 3.0 Headers

## CPU & Memory Support

The C7C232-CB-ML supports Intel® Xeon E3-1200 V5 processor and Intel® 6th Generation Core i3/i5/i7 processor, up to 64GB of Unbuffered (UDIMM) non-ECC DDR4 memory, up to 2133MHz in four 288-pin memory slots. Populating these DIMM slots with a pair of memory modules of the same type and same size will result in interleaved memory, which will improve memory performance.

**Note:** For memory optimization, use only DIMM modules that have been validated by Supermicro. For the latest memory updates, please refer to our website at <http://www.supermicro.com/products/motherboard>.

### DIMM Memory Installation



- DIMMA1** (White Slot)
- DIMMA2** (Black Slot)
- DIMMB1** (White Slot)
- DIMMB2** (Black Slot)

### Memory Population Guidelines

When installing memory modules, the DIMM slots should be populated in the following order: DIMMA2, DIMMB2, then DIMMA1, DIMMB1.

- Always use DDR4 DIMM modules of the same size, type and speed.
- Mixed DIMM speeds can be installed. However, all DIMMs will run at the speed of the slowest DIMM.

### Recommended Population (Balanced)

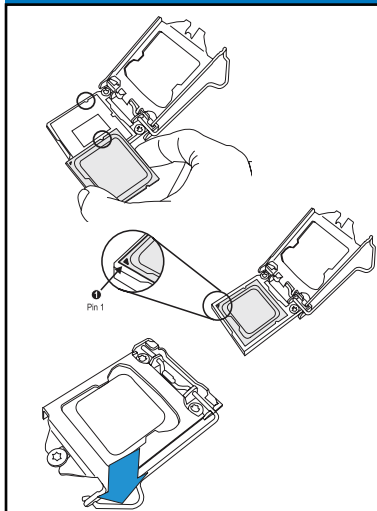
DIMMB2	DIMMA2	DIMMB1	DIMMA1	Total System Memory
4GB	4GB			8GB
4GB	4GB	4GB	4GB	16GB
8GB	8GB			16GB
8GB	8GB	8GB	8GB	32GB
16GB	16GB			32GB
16GB	16GB	16GB	16GB	64GB

### Back Panel I/O Connectors

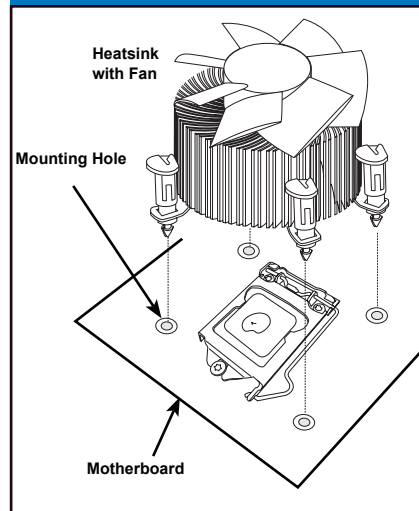
A. PS/2 Keyboard/Mouse Port	G. LAN1 (RJ45) Port
B. PS/2 Keyboard/Mouse Port	H. USB 2.0 Port 0
C. USB 3.0 Port 4	I. USB 2.0 Port 1
D. USB 3.0 Port 5	J. Line In
E. USB 3.0 Port 6	K. Line Out
F. USB 3.0 Port 7	L. Mic In



### CPU Installation



### Heatsink Installation



### LEDH1

SATA LED (+)	1	2	PWR LED (+)
SATA LED (-)			PWR LED (-)
Ground			PWR Button
FP Reset			Ground
X			X
+5V AUX			LAN LED
X			Ground
	13	14	

**Note:** Graphics shown in this quick reference guide are for illustration only. Your components may or may not look exactly the same as drawings shown in this guide.

**Note:** Refer to Chapter 2 of the User Manual for detailed information on jumpers, connectors, and LED indicators.

**Note:** Refer to Chapter 2 of the User Manual for detailed information on memory support and CPU/motherboard installation instructions.