

3012

Wall Mount Bracket



- Built of steel.
- Capable of bearing up to 30 kg.
- Supports wall mount installation.

Technical Specification

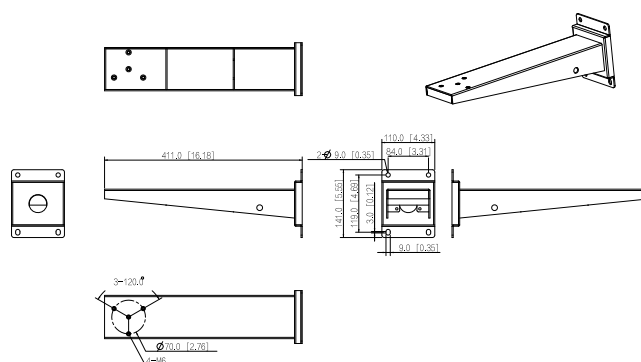
Basic

Color	Silver
-------	--------

General

Material	Steel
Product Dimensions	520 mm × 185 mm × 260 mm (20.47" × 7.28" × 10.24")
Operating Temperature	-40 °C to +65 °C (-40 °F to +149 °F)
Storage Temperature	-40 °C to +65 °C (-40 °F to +149 °F)
Operating Humidity	0%–90% (non-condensing)
Storage Humidity	10%–90%
Weight	2.4 kg (5.29 lb)

Dimensions (mm [inch])



Installation

