

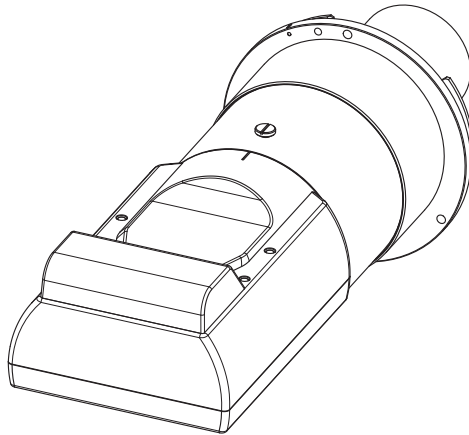
# Panasonic®

## Operating Instructions

Fixed-focus Lens **Commercial Use**

---

Model No. **ET-D75LE95C**



**ENGLISH**

Thank you for purchasing this Panasonic product.

- To ensure correct use of this lens, please read the operating instructions supplied with the lens and the projector carefully.
- **Before using this product, be sure to read “Read this first!” (➡Page 3).**
- Please save this manual for future use.

# ■ Contents

<b>Read this first!</b> .....	<b>3</b>
<b>Before Use</b> .....	<b>4</b>
<b>Attaching the Lens / Detaching the Lens</b> .....	<b>4</b>
Before replacing the projection lens .....	4
Attaching the Lens.....	5
Detaching the Lens .....	6
<b>Projection relationships</b> .....	<b>7</b>
<b>Lens position setup and focus adjustment</b> .....	<b>9</b>
Lens position setup .....	9
Focus Adjustment Function .....	11
<b>Adjustment range by the lens position shift (optical shift)</b> .....	<b>12</b>
<b>Specifications</b> .....	<b>14</b>
<b>Dimensions</b> .....	<b>14</b>
<b>Dimensional relationship</b> .....	<b>Appendix</b>

## WARNING:

**Before replacing the projection lens, be sure to turn off the power and disconnect the power plug from the wall outlet.**

- Unexpected projection of light may cause injury to eyes.
- Replacing without removing the power plug may result in electrical shock.

**Do not place objects near the light projecting surface.**

- This surface produces intense light. Failure to heed this warning could result in fire or burn injuries.

## CAUTION:

**Do not use the lens with the protective film and lens cover left on.**

- If left on, the heat generated during projection could melt them resulting in projector deformation and damage, and personnel attempting to remove them could suffer burn injuries.

**Do not open the desiccant bag. Do not eat the contents.**

Inadvertently ingesting desiccant could be harmful.

- If the desiccant gets into your eyes or mouth, immediately rinse with plenty of water and seek medical attention.
- Keep desiccant out of the reach of children.

## Note

- This product cannot be used if an optional frame (ET-PFD510C / ET-PFD310C) is attached and used with the projector.

# Before Use

## ■ Supported projectors

PT-SRZ31KC / PT-SRS30KC / PT-SRQ13KC / PT-SRZ12KC / PT-SRS11KC /  
PT-SDZ21K2C / PT-SDS20K2C / PT-SDW17K2C / PT-SDZ18K2C / PT-SDZ985C /  
PT-SDS955C / PT-SDW935C / PT-SDZ981C

### Note

- Models other than the above may also be supported. Refer to the operating instructions of the projector you are using.

## ■ Supplied Accessories

Make sure that the following has been provided. Numbers enclosed in < > show the number of accessories.

Lens cover <1>

(The product is delivered with a lens cover attached.)



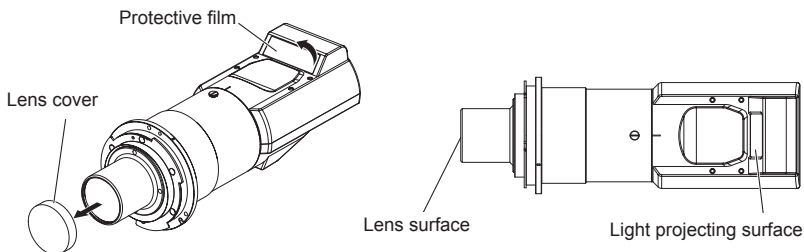
# Attaching the Lens / Detaching the Lens

## Before replacing the projection lens

Return the projection lens to the home position before replacing or removing it.  
For details on how to return the lens to the home position, refer to the operating instructions of the projector.

### Attention

- Make sure that the projector power supply is switched off before attaching or detaching the projection lens.
- After removing the projection lens, store it safely away from vibration or impacts.
- Before attaching the fixed-focus lens, remove the protective film from the light projecting surface and the lens cover from the lens.



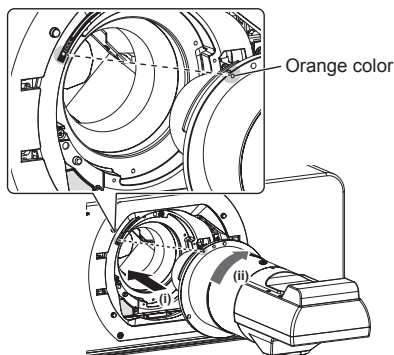
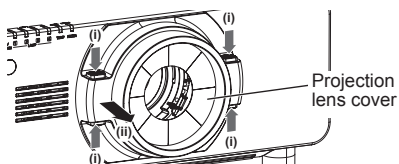
- Be sure not to touch the light projecting surface or the surface of the lens. Any fingerprints or smudges on these surfaces will be magnified and lower the quality of the image displayed on the screen.
- The light projecting surface and lens are made of glass. The lens could be damaged if brought into contact with or rubbed against hard objects. Handle the lens carefully.
- Use a clean, soft and dry cloth to wipe away any dirt or dust that has adhered to the light projecting surface or lens. Do not use fluffy cloths containing oil, water or dust for cleaning.
- When the fixed-focus lens is removed from the projector, place it with the light projecting surface facing upwards.

# Attaching the Lens / Detaching the Lens (continued)

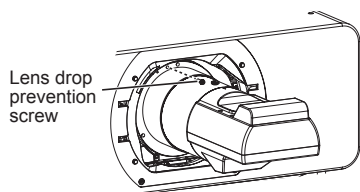
## Attaching the Lens

The illustration for this procedure uses PT-SDZ21K2C as an example.

- 1) Remove the projection lens cover.\*1



- 2) Align the mark on the projection lens (orange color) with the mark on the projector (O on the left side of the LOCK) and insert; then rotate in a clockwise direction until it makes a "click" sound.



- 3) Secure the projection lens with the lens drop prevention screw included with the projector.
  - Secure it in the screw hole (location shown in the figure to the left) on the right side of the projection lens mark (orange color) using a Phillips screwdriver.

- 4) Attach the projection lens cover.\*1

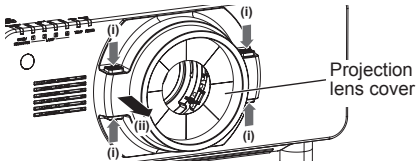
### Attention

- Gently turn the projection lens counterclockwise to check that it will not fall out.

\*1: Only when using a projector that has a projection lens cover. In addition, there are cases where the attachment method or removal method of the projection lens cover differs from the procedure (illustration) described above depending on the model being used. For details, see "Attaching/removing the projection lens (optional)" in the operating instructions for the projector you are using.

# Attaching the Lens / Detaching the Lens (continued)

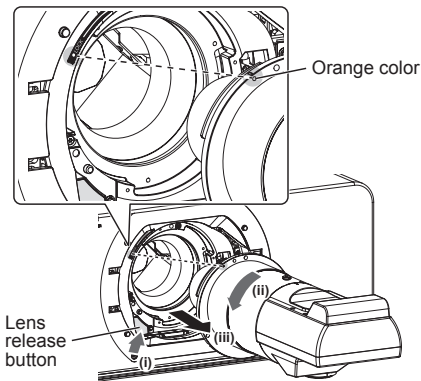
## Detaching the Lens



The illustration for this procedure uses PT-SDZ21K2C as an example.

- 1) **Remove the projection lens cover.\*1**
- 2) **Remove the lens drop prevention screw.**

- Remove the first screw on the right side of the projection lens mark (orange color) using a Phillips screwdriver.



- 3) **Turn the projection lens counterclockwise while holding down the lens release button to take it off.**

- Turn counterclockwise until the projection lens mark (orange color) is aligned with the mark on the projector (O on left side of the LOCK).

- 4) **Attach the projection lens cover.\*1**

### Attention

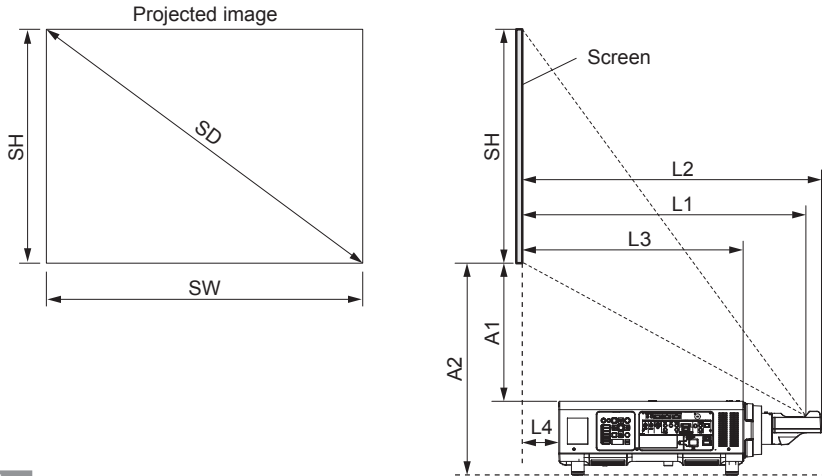
- Store the projection lens that was removed while avoiding vibration and impact.
- Store the lens drop prevention screw that was removed and do not lose it.
- Attach the supplied lens cover before storing the lens.

\*1: Only when using a projector that has a projection lens cover. In addition, there are cases where the attachment method or removal method of the projection lens cover differs from the procedure (illustration) described above depending on the model being used. For details, see "Attaching/removing the projection lens (optional)" in the operating instructions for the projector you are using.

# Projection relationships

The dimensional relationship between the screen and the projector is shown below.

## ■ Dimensional relationship diagram



### Note

- The indications of this illustration are premised on aligning the projected image size and position to the full screen.
- This illustration is not drawn to scale.

SH	Projected image height	L3	Screen to projector front end
SW	Projected image width	L4	Screen to projector rear end
SD	Diagonal length of the projected image	A1	Bottom edge of the screen to the top of the projector
L1	Projection distance (from screen to mirror reflective surface*)		
L2	Screen to lens front end	A2	Bottom edge of the screen to the bottom of the projector

\* The mirror reflective surface is inside the fixed-focus lens, and is not visible from the outside.

### Note

- The illustrations of projectors in this manual are for informational purposes only and do not represent a specific projector model. Configurations may vary with the model.
- After setting the lens position using the function on the projector, the lens position can be adjusted within the adjustment range described in "Adjustment range by the lens position shift (optical shift)" (➡ Page 12).  
Then dimensions A1 and A2 will change according to lens shift amount.
- Dimension L4 is the distance from the projector rear panel to the screen.
- Dimension A2 is the distance from the bottom edge of the screen to the bottom of the adjustable projector legs (with the legs fully screwed in).

### Attention

- Dimension L4 is not the distance from the projector rear panel to a wall, but the distance from the projector rear panel to the screen. Provide at least 500 mm (19-11/16") of ventilation space between the projector rear panel and a wall or other object.  
When placing the projector in a confined space, a ventilation and/or air conditioning system is required. Exhaust heat may accumulate when the ventilation is not sufficient triggering the protection circuit of the projector.

## Projection relationships (continued)

### ■ Dimensional relationship

- When using one of PT-SRZ31KC / PT-SRS30KC / PT-SRQ13KC / PT-SRZ12KC / PT-SRS11KC / PT-SDZ21K2C / PT-SDS20K2C / PT-SDW17K2C / PT-SDZ18K2C / PT-SDZ985C / PT-SDS955C / PT-SDW935C / PT-SDZ981C

For details on projection distance (L1), and A1, A2, L2, L3 and L4 values, refer to "Projected image size and Projection distance" or "Projection distance formulas" in the Appendix.

- When using a projector other than one listed above  
Please see "Setting up" in the operating instructions for the projector you are using.

### ■ Keystone distortion correction

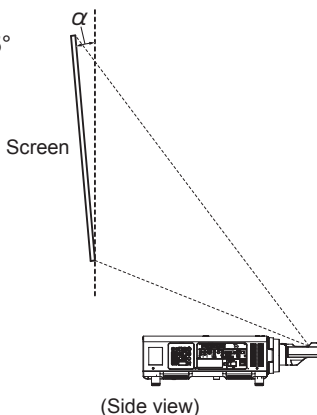
When attaching this lens for use, regardless of the projector model, set up the projector so that the projected image is rectangular and the back of the projector and the screen are parallel. In addition, depending on the projector used, keystone distortion correction may be feasible after setup.

- When using one of PT-SRZ31KC / PT-SRS30KC / PT-SRQ13KC / PT-SRZ12KC / PT-SRS11KC / PT-SDZ21K2C / PT-SDS20K2C / PT-SDW17K2C / PT-SDZ18K2C / PT-SDZ985C / PT-SDS955C / PT-SDZ981C

For keystone distortion in the vertical direction generated within the angle range below, select [MAIN MENU] → [POSITION] → [GEOMETRY] → [KEYSTONE] → [VERTICAL KEYSTONE] to perform correction.

Keystone distortion in the vertical direction greater than this angle and keystone distortion in the horizontal direction can be corrected but the projected image overall will no longer be in focus.

Correction feasible angle ( $\alpha$ ): 0 - 5°



- When using PT-SDW935C  
If keystone distortion in vertical direction or horizontal direction is corrected, the projected image overall will no longer be in focus. Set up the projector so that the projected image is rectangular and the back of the projector and the screen are parallel.
- When using a projector other than one listed above  
Please see "Setting up" in the operating instructions for the projector you are using.



# Lens position setup and focus adjustment

## Lens position setup

Automatically return the lens to standard position using the projector.

The menu screens shown in these operating instructions are only provided as examples. Actual menu screens may vary with the specific model.

- When using PT-SRZ31KC / PT-SRS30KC / PT-SRQ13KC / PT-SRZ12KC / PT-SRS11KC / PT-SDZ21K2C / PT-SDS20K2C / PT-SDW17K2C / PT-SDZ18K2C



- 1) Turn on the projector, and start projection.
- 2) Press the < 默认 > button on the remote control while the shift adjustment screen is displayed.
  - The [HOME POSITION] screen is displayed.
- 3) Press ◀▶ to switch the item.
  - The items will switch each time you press the button.

[NORMAL]	Moves the lens to the home position. Select this item when replacing or removing the projection lens. Select this item when the Fixed-focus Lens (Model No.: ET-D75LE50C) is used for projection.
[D75LE95] or [D75LE90]*1	Moves the lens to the ET-D75LE95C lens standard position. Select this item when the Fixed-focus Lens (Model No.: ET-D75LE95C) is used for projection.

\*1: The items displayed will differ depending on the projector model.

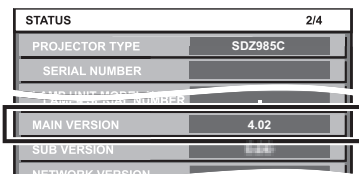
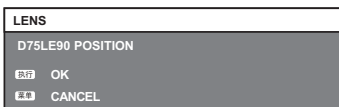
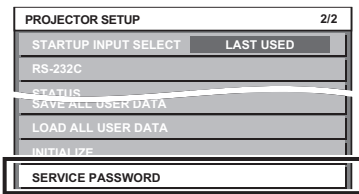
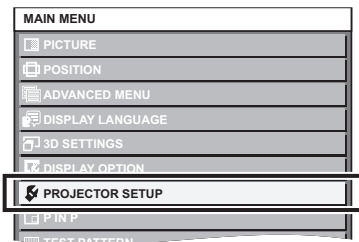
- 4) Press the < 执行 > button.
  - [PROGRESS] is displayed in the [HOME POSITION] screen, and the lens position returns to the home position or the lens standard position.

### Note

- Complete the operation within approximately 5 seconds after the [HOME POSITION] screen is displayed. The [HOME POSITION] screen will disappear after time limit.
- The home position of the lens is used when the lens is being replaced or when the projector is being stored, and it is not the optical center of the screen.
- You can also display the [HOME POSITION] screen by pressing the < 镜头 > button on the control panel or the < 移位 > button on the remote control for at least three seconds.

## Lens position setup and focus adjustment (continued)

- When using PT-SDZ985C / PT-SDS955C / PT-SDW935C / PT-SDZ981C



- 1) Turn on the projector to start the projection.
- 2) Press the < 菜单 > button to open the [MAIN MENU] screen. Then select [PROJECTOR SETUP] and press the < 执行 > button.
- 3) Select [SERVICE PASSWORD] in the [PROJECTOR SETUP] menu and press the < 执行 > button.
- 4) In the [SERVICE PASSWORD] entry screen, enter "7590" using the numeric buttons on the remote control and then press the < 执行 > button.

- The [D75LE90 POSITION] screen appears.

- 5) Press the < 执行 > button in the [D75LE90 POSITION] screen.

- [PROGRESS] is displayed on the [D75LE90 POSITION] screen and lens position moves to the standard position for the ET-D75LE95C.

### Note

- When using the PT-SDZ985C / PT-SDS955C / PT-SDW935C / PT-SDZ981C, the [MAIN VERSION] of the projector firmware must be the version described below. Check the [MAIN VERSION] of the firmware on the [STATUS] screen and upgrade the firmware version of the projector as needed.\*1

Projector	Main version
PT-SDZ985C / PT-SDS955C / PT-SDW935C / PT-SDZ981C	4.04 or higher

[STATUS] screen is displayed by selecting [Main Menu] → [PROJECTOR SETUP] → [STATUS] or by pressing the < 状态 > button on the remote control.

\*1: See software download page on Panasonic website (<http://panasonic.net/avc/projector/pass/>). You must be a registered PASS user to use the site described above.

PASS : Panasonic Professional Display and Projector Technical Support Website

### Note

- The lens position set here may not match the intended standard position exactly.
- The lens position set with this procedure will be used as the standard position. The lens position can be adjusted within the adjustment range described in "Adjustment range by the lens position shift (optical shift)" (➡ Page 12), even after shifting to the standard position.
- Depending on the (OSD) display position on the menu screen, there are cases where the projected light is obstructed and a part of the menu is not displayed on the screen. In this case, open [MAIN MENU] → [DISPLAY OPTIONS] → [ON-SCREEN DISPLAY] → [OSD POSITION] and change settings so that the whole OSD menu can be seen.

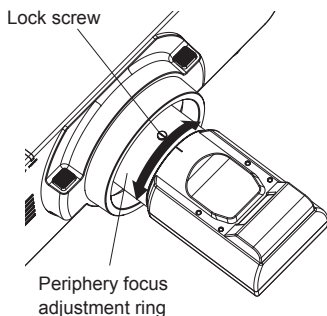
## Lens position setup and focus adjustment (continued)

### Focus Adjustment Function

After setting the lens position, adjust the focus.

The focal balance between the center and periphery of the projected image changes depending on the size of the projected image. The lens is equipped with a focus balance adjustment function for the screen periphery.

#### ■ Adjusting the Focus



- 1) **Focus the center of the screen by operating the projector unit.**
- 2) **Loosen the lock screw and turn the periphery focus adjustment ring by hand as shown in the figure to the left to adjust the peripheral focus on the screen.**
- 3) **Again check focus at the center of the screen and use the projector controls to make fine adjustments.**
- 4) **Tighten the lock screw.**
  - The periphery focus adjustment ring is locked.

#### Note

- The projected image sizes (inches) shown on the periphery focus adjustment ring are approximate guides.

# Adjustment range by the lens position shift (optical shift)

Even after setting the lens position using "Lens position setup" noted on pages 9 and 10, the projection position can be adjusted within respective ranges using the optical axis shift function on the projector based on the projected image position for this lens position.

Perform the lens position shift within the adjustment range.

The focus may change when the lens position is shifted out of the adjustment range.

<p>PT-SRZ31KC / PT-SRZ12KC</p>	<p>0.12 H Projected image width H 0.12 H</p> <p>0.07 V</p> <p>0.73 V (Standard position)</p> <p>Standard projection position</p> <p>0.05 V</p> <p>Projected image height V</p>
<p>PT-SRS30KC / PT-SRS11KC</p>	<p>0.08H Projected image width H 0.08H</p> <p>0.07V</p> <p>0.71V (Standard position)</p> <p>Standard projection position</p> <p>0.04V</p> <p>Projected image height V</p>
<p>PT-SRQ13KC</p>	<p>0.21H Projected image width H 0.21H</p> <p>0.16H 0.16H</p> <p>0.08V</p> <p>0.74V (Standard position)</p> <p>Standard projection position</p> <p>0.05V</p> <p>Projected image height V</p>

## Adjustment range by the lens position shift (optical shift) (continued)

<p>PT-SDZ21K2C / PT-SDZ985C / PT-SDZ981C</p>	<p>0.12H Projected image width H 0.12H</p> <p>0.74V (Standard position)</p> <p>Standard projection position</p> <p>0.07V</p> <p>Projected image height V 0.05V</p> <p>0.07V</p>
<p>PT-SDZ18K2C</p>	<p>0.19H Projected image width H 0.19H</p> <p>0.06H 0.06H</p> <p>0.75V (Standard position)</p> <p>Standard projection position</p> <p>0.08V</p> <p>Projected image height V 0.13V</p> <p>0.08V</p>
<p>PT-SDS20K2C / PT-SDS955C</p>	<p>0.08H Projected image width H 0.08H</p> <p>0.07V</p> <p>0.71V (Standard position)</p> <p>Standard projection position</p> <p>Projected image height V 0.07V</p>
<p>PT-SDW17K2C / PT-SDW935C</p>	<p>0.30H Projected image width H 0.30H</p> <p>0.16H 0.16H</p> <p>0.78V (Standard position)</p> <p>Standard projection position</p> <p>0.09V</p> <p>Projected image height V 0.18V</p> <p>0.09V</p>

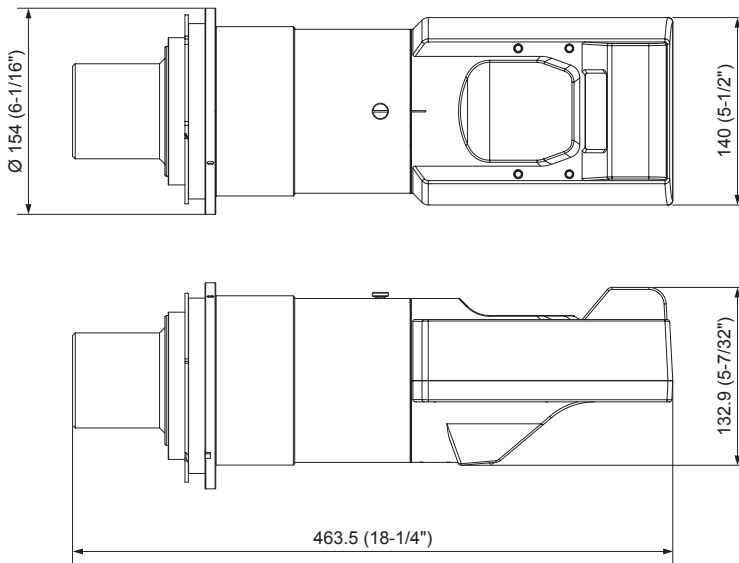
- When using a projector other than one listed above  
Please see "Projecting" in the operating instructions for the projector you are using.

# Specifications

F value	2.5
Focal Length (f)	7.5 mm (9/32")
Dimensions	Width 154 mm (6-1/16") Height 154 mm (6-1/16") Depth 463.5 mm (18-1/4")
Net Weight	Approx. 5.7 kg (12.57 lb)

# Dimensions

(Unit: mm)



**制造商：松下电器产业株式会社**

日本大阪府门真市松叶町2番15号

网站：<http://panasonic.net>

**进口商：松下电器（中国）有限公司**

北京市朝阳区景华南街5号 远洋光华中心C座3层、6层

网站：<http://panasonic.cn/>

**原产地：日本 发行：2016年9月**

© 松下电器产业株式会社2016 版权所有。

HS0916AM0 -PS

日本印刷

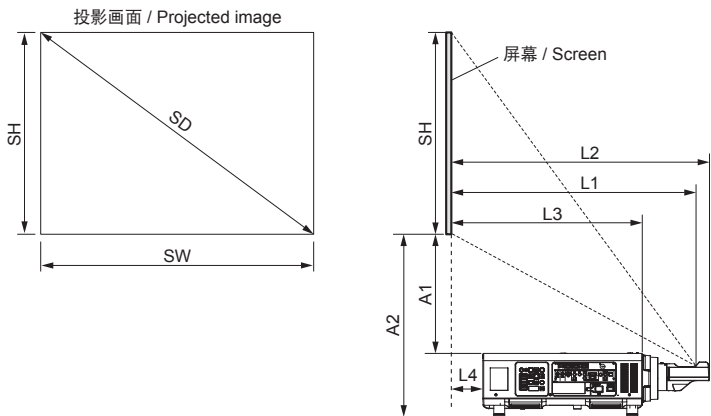
# 附表 / Appendix

## ■ 投影关系尺寸

## ■ Dimensional relationship

屏幕和投影机之间的尺寸关系显示如下。

The dimensional relationship between the screen and the projector is shown below.



SH	投影画面高度 / Projected image height
SW	投影画面宽度 / Projected image width
SD	投影画面对角尺寸 / Diagonal length of the projected image
L1	投影距离 (屏幕至镜像反射面*) / Projection distance (from screen to mirror reflective surface*)
L2	镜头前端至屏幕 / Screen to lens front end
L3	投影机前端至屏幕 / Screen to projector front end
L4	投影机后端至屏幕 / Screen to projector rear end
A1	投影机顶部至屏幕底部边缘 / Bottom edge of the screen to the top of the projector
A2	投影机底部至屏幕底部边缘 / Bottom edge of the screen to the bottom of the projector

\* 镜像反射面在定焦镜头的内部，从外侧无法确认。

\* The mirror reflective surface is inside the fixed-focus lens, and is not visible from the outside.

## ● 投影画面尺寸和投影距离

## ● Projected image size and Projection distance

### 提示

● 如果所使用投影机的型号在本说明书中未记载，请参阅投影机使用说明书的“设置”章节。

### Note

● When using projector models other than the following, refer to “Setting up” in the operating instructions of the projector.

### 投影机 / Projectors

PT-SRZ31KC / PT-SRS30KC / PT-SRQ13KC / PT-SRZ12KC / PT-SRS11KC / PT-SDZ21K2C / PT-SDS20K2C / PT-SDW17K2C / PT-SDZ18K2C / PT-SDZ985C / PT-SDS955C / PT-SDW935C / PT-SDZ981C

下表中的尺寸可能略有误差。

The dimensions of the following table contain a slight error.

● PT-SRZ31KC

(单位 / Unit : m)

当屏幕宽高比为 16:10 时 (投射率 : [0.36:1]) When the screen aspect ratio is 16:10 (Throw ratio : [0.36:1])					
SD	SH	SW	L1	L4	A1
3.05 (120")	1.615	2.585	0.94	-0.39	0.17-0.33
3.81 (150")	2.019	3.231	1.18	-0.16	0.24-0.44
5.08 (200")	2.692	4.308	1.56	0.23	0.37-0.63
6.35 (250")	3.365	5.385	1.95	0.61	0.49-0.82
7.62 (300")	4.039	6.462	2.33	1.00	0.62-1.02
8.89 (350")	4.712	7.539	2.72	1.38	0.74-1.21
10.16 (400")	5.385	8.616	3.10	1.77	0.86-1.40
12.70 (500")	6.731	10.770	3.87	2.54	1.11-1.78
15.24 (600")	8.077	12.923	4.64	3.31	1.36-2.16

当屏幕宽高比为 16:9 时 (投射率 : [0.36:1]) When the screen aspect ratio is 16:9 (Throw ratio : [0.36:1])					
SD	SH	SW	L1	L4	A1
3.05 (120")	1.494	2.657	0.97	-0.36	0.18-0.43
3.81 (150")	1.868	3.321	1.21	-0.13	0.26-0.56
5.08 (200")	2.491	4.428	1.60	0.27	0.38-0.79
6.35 (250")	3.113	5.535	2.00	0.67	0.51-1.02
7.62 (300")	3.736	6.641	2.39	1.06	0.64-1.25
8.89 (350")	4.358	7.748	2.79	1.46	0.77-1.49
10.16 (400")	4.981	8.855	3.19	1.85	0.89-1.72
12.70 (500")	6.226	11.069	3.98	2.64	1.15-2.18
15.24 (600")	7.472	13.283	4.77	3.44	1.40-2.64

当屏幕宽高比为 4:3 时 (投射率 : [0.44:1]) When the screen aspect ratio is 4:3 (Throw ratio : [0.44:1])					
SD	SH	SW	L1	L4	A1
3.05 (120")	1.829	2.438	1.07	-0.27	0.21-0.39
3.81 (150")	2.286	3.048	1.33	0.00	0.29-0.52
5.08 (200")	3.048	4.064	1.76	0.43	0.43-0.74
6.35 (250")	3.810	5.080	2.20	0.87	0.57-0.95
7.62 (300")	4.572	6.096	2.64	1.30	0.71-1.17
8.89 (350")	5.334	7.112	3.07	1.74	0.85-1.38
10.16 (400")	6.096	8.128	3.51	2.17	0.99-1.60
12.70 (500")	7.620	10.160	4.38	3.05	1.27-2.03
15.24 (600")	9.144	12.192	5.25	3.92	1.55-2.46



● PT-SRS30KC

(单位 / Unit : m)

当屏幕宽高比为 4:3 时 (投射率 : [0.39:1]) When the screen aspect ratio is 4:3 (Throw ratio : [0.39:1])					
SD	SH	SW	L1	L4	A1
3.05 (120")	1.829	2.438	0.96	-0.37	0.18-0.25
3.81 (150")	2.286	3.048	1.20	-0.13	0.25-0.34
5.08 (200")	3.048	4.064	1.59	0.26	0.38-0.50
6.35 (250")	3.810	5.080	1.99	0.65	0.50-0.66
7.62 (300")	4.572	6.096	2.38	1.05	0.63-0.81
8.89 (350")	5.334	7.112	2.77	1.44	0.76-0.97
10.16 (400")	6.096	8.128	3.17	1.83	0.88-1.13
12.70 (500")	7.620	10.160	3.95	2.62	1.14-1.44
15.24 (600")	9.144	12.192	4.74	3.41	1.39-1.76

当屏幕宽高比为 16:9 时 (投射率 : [0.39:1]) When the screen aspect ratio is 16:9 (Throw ratio : [0.39:1])					
SD	SH	SW	L1	L4	A1
3.05 (120")	1.494	2.657	1.05	-0.28	0.20-0.53
3.81 (150")	1.868	3.321	1.31	-0.03	0.29-0.70
5.08 (200")	2.491	4.428	1.73	0.40	0.43-0.97
6.35 (250")	3.113	5.535	2.16	0.83	0.56-1.25
7.62 (300")	3.736	6.641	2.59	1.26	0.70-1.52
8.89 (350")	4.358	7.748	3.02	1.69	0.84-1.79
10.16 (400")	4.981	8.855	3.45	2.11	0.98-2.07
12.70 (500")	6.226	11.069	4.30	2.97	1.25-2.62
15.24 (600")	7.472	13.283	5.16	3.83	1.53-3.17

● PT-SRQ13KC

(单位 / Unit : m)

当屏幕宽高比为 16:10 时 ( 投射率 : [0.39:1]) When the screen aspect ratio is 16:10 (Throw ratio : [0.39:1])					
SD	SH	SW	L1	L4	A1
3.05 (120")	1.615	2.585	1.01	-0.01	0.19-0.42
3.81 (150")	2.019	3.231	1.26	0.24	0.27-0.56
5.08 (200")	2.692	4.308	1.67	0.65	0.41-0.79
6.35 (250")	3.365	5.385	2.08	1.07	0.54-1.01
7.62 (300")	4.039	6.462	2.50	1.48	0.67-1.24
8.89 (350")	4.712	7.539	2.91	1.89	0.81-1.47
10.16 (400")	5.385	8.616	3.32	2.30	0.94-1.70
12.70 (500")	6.731	10.770	4.15	3.13	1.21-2.15
15.24 (600")	8.077	12.923	4.97	3.95	1.47-2.61

当屏幕宽高比为 16:9 时 ( 投射率 : [0.39:1]) When the screen aspect ratio is 16:9 (Throw ratio : [0.39:1])					
SD	SH	SW	L1	L4	A1
3.05 (120")	1.494	2.657	1.04	0.02	0.20-0.52
3.81 (150")	1.868	3.321	1.29	0.28	0.28-0.68
5.08 (200")	2.491	4.428	1.72	0.70	0.42-0.95
6.35 (250")	3.113	5.535	2.14	1.12	0.56-1.22
7.62 (300")	3.736	6.641	2.56	1.55	0.69-1.49
8.89 (350")	4.358	7.748	2.99	1.97	0.83-1.76
10.16 (400")	4.981	8.855	3.41	2.39	0.97-2.02
12.70 (500")	6.226	11.069	4.26	3.24	1.24-2.56
15.24 (600")	7.472	13.283	5.11	4.09	1.52-3.10

当屏幕宽高比为 4:3 时 ( 投射率 : [0.47:1]) When the screen aspect ratio is 4:3 (Throw ratio : [0.47:1])					
SD	SH	SW	L1	L4	A1
3.05 (120")	1.829	2.438	1.14	0.12	0.23-0.49
3.81 (150")	2.286	3.048	1.42	0.40	0.33-0.65
5.08 (200")	3.048	4.064	1.89	0.87	0.48-0.91
6.35 (250")	3.810	5.080	2.36	1.34	0.63-1.16
7.62 (300")	4.572	6.096	2.82	1.81	0.78-1.42
8.89 (350")	5.334	7.112	3.29	2.27	0.93-1.68
10.16 (400")	6.096	8.128	3.76	2.74	1.08-1.94
12.70 (500")	7.620	10.160	4.69	3.67	1.38-2.46
15.24 (600")	9.144	12.192	5.62	4.61	1.68-2.97

● PT-SRZ12KC

(单位 / Unit : m)

当屏幕宽高比为 16:10 吋 (投射率 : [0.36:1]) When the screen aspect ratio is 16:10 (Throw ratio : [0.36:1])					
SD	SH	SW	L1	L4	A1
3.05 (120")	1.615	2.585	0.94	-0.07	0.17-0.33
3.81 (150")	2.019	3.231	1.18	0.16	0.24-0.44
5.08 (200")	2.692	4.308	1.56	0.54	0.37-0.63
6.35 (250")	3.365	5.385	1.95	0.93	0.49-0.82
7.62 (300")	4.039	6.462	2.33	1.31	0.62-1.02
8.89 (350")	4.712	7.539	2.72	1.70	0.74-1.21
10.16 (400")	5.385	8.616	3.10	2.08	0.86-1.40
12.70 (500")	6.731	10.770	3.87	2.85	1.11-1.78
15.24 (600")	8.077	12.923	4.64	3.62	1.36-2.16

当屏幕宽高比为 16:9 吋 (投射率 : [0.36:1]) When the screen aspect ratio is 16:9 (Throw ratio : [0.36:1])					
SD	SH	SW	L1	L4	A1
3.05 (120")	1.494	2.657	0.97	-0.05	0.18-0.43
3.81 (150")	1.868	3.321	1.21	0.19	0.26-0.56
5.08 (200")	2.491	4.428	1.60	0.59	0.38-0.79
6.35 (250")	3.113	5.535	2.00	0.98	0.51-1.02
7.62 (300")	3.736	6.641	2.39	1.38	0.64-1.25
8.89 (350")	4.358	7.748	2.79	1.77	0.77-1.49
10.16 (400")	4.981	8.855	3.19	2.17	0.89-1.72
12.70 (500")	6.226	11.069	3.98	2.96	1.15-2.18
15.24 (600")	7.472	13.283	4.77	3.75	1.40-2.64

当屏幕宽高比为 4:3 吋 (投射率 : [0.44:1]) When the screen aspect ratio is 4:3 (Throw ratio : [0.44:1])					
SD	SH	SW	L1	L4	A1
3.05 (120")	1.829	2.438	1.07	0.05	0.21-0.39
3.81 (150")	2.286	3.048	1.33	0.31	0.29-0.52
5.08 (200")	3.048	4.064	1.76	0.75	0.43-0.74
6.35 (250")	3.810	5.080	2.20	1.18	0.57-0.95
7.62 (300")	4.572	6.096	2.64	1.62	0.71-1.17
8.89 (350")	5.334	7.112	3.07	2.05	0.85-1.38
10.16 (400")	6.096	8.128	3.51	2.49	0.99-1.60
12.70 (500")	7.620	10.160	4.38	3.36	1.27-2.03
15.24 (600")	9.144	12.192	5.25	4.23	1.55-2.46

● PT-SRS11KC

(单位 / Unit : m)

当屏幕宽高比为 4:3 时 (投射率 : [0.39:1])  
When the screen aspect ratio is 4:3 (Throw ratio : [0.39:1])

SD	SH	SW	L1	L4	A1
3.05 (120")	1.829	2.438	0.96	-0.05	0.18-0.25
3.81 (150")	2.286	3.048	1.20	0.18	0.25-0.34
5.08 (200")	3.048	4.064	1.59	0.58	0.38-0.50
6.35 (250")	3.810	5.080	1.99	0.97	0.50-0.66
7.62 (300")	4.572	6.096	2.38	1.36	0.63-0.81
8.89 (350")	5.334	7.112	2.77	1.76	0.76-0.97
10.16 (400")	6.096	8.128	3.17	2.15	0.88-1.13
12.70 (500")	7.620	10.160	3.95	2.94	1.14-1.44
15.24 (600")	9.144	12.192	4.74	3.72	1.39-1.76

当屏幕宽高比为 16:9 时 (投射率 : [0.39:1])  
When the screen aspect ratio is 16:9 (Throw ratio : [0.39:1])

SD	SH	SW	L1	L4	A1
3.05 (120")	1.494	2.657	1.05	0.03	0.20-0.53
3.81 (150")	1.868	3.321	1.31	0.29	0.29-0.70
5.08 (200")	2.491	4.428	1.73	0.72	0.43-0.97
6.35 (250")	3.113	5.535	2.16	1.15	0.56-1.25
7.62 (300")	3.736	6.641	2.59	1.57	0.70-1.52
8.89 (350")	4.358	7.748	3.02	2.00	0.84-1.79
10.16 (400")	4.981	8.855	3.45	2.43	0.98-2.07
12.70 (500")	6.226	11.069	4.30	3.29	1.25-2.62
15.24 (600")	7.472	13.283	5.16	4.14	1.53-3.17

●PT-SDZ21K2C / PT-SDZ985C / PT-SDZ981C

(单位 / Unit : m)

当屏幕宽高比为 16:10 吋 (投射率 : [0.36:1]) When the screen aspect ratio is 16:10 (Throw ratio : [0.36:1])							
SD	SH	SW	L1	L4		A1	
				PT-SDZ21K2C	PT-SDZ985C / PT-SDZ981C	PT-SDZ21K2C	PT-SDZ985C / PT-SDZ981C
3.05 (120")	1.615	2.585	0.94	-0.08	0.11	0.14-0.34	0.15-0.36
3.81 (150")	2.019	3.231	1.18	0.15	0.34	0.20-0.46	0.21-0.47
5.08 (200")	2.692	4.308	1.56	0.54	0.73	0.30-0.65	0.32-0.66
6.35 (250")	3.365	5.385	1.95	0.92	1.11	0.40-0.84	0.42-0.85
7.62 (300")	4.039	6.462	2.33	1.31	1.50	0.51-1.03	0.52-1.04
8.89 (350")	4.712	7.539	2.72	1.69	1.88	0.61-1.22	0.63-1.23
10.16 (400")	5.385	8.616	3.10	2.08	2.27	0.72-1.41	0.73-1.42
12.70 (500")	6.731	10.770	3.87	2.85	3.04	0.92-1.79	0.94-1.81
15.24 (600")	8.077	12.923	4.64	3.62	3.81	1.13-2.17	1.14-2.19

当屏幕宽高比为 16:9 吋 (投射率 : [0.36:1]) When the screen aspect ratio is 16:9 (Throw ratio : [0.36:1])							
SD	SH	SW	L1	L4		A1	
				PT-SDZ21K2C	PT-SDZ985C / PT-SDZ981C	PT-SDZ21K2C	PT-SDZ985C / PT-SDZ981C
3.05 (120")	1.494	2.657	0.97	-0.05	0.14	0.14-0.44	0.16-0.45
3.81 (150")	1.868	3.321	1.21	0.19	0.38	0.21-0.58	0.22-0.59
5.08 (200")	2.491	4.428	1.60	0.58	0.77	0.31-0.81	0.33-0.82
6.35 (250")	3.113	5.535	2.00	0.98	1.17	0.42-1.04	0.44-1.05
7.62 (300")	3.736	6.641	2.39	1.37	1.56	0.53-1.27	0.54-1.28
8.89 (350")	4.358	7.748	2.79	1.77	1.96	0.64-1.50	0.65-1.51
10.16 (400")	4.981	8.855	3.19	2.16	2.35	0.74-1.73	0.76-1.74
12.70 (500")	6.226	11.069	3.98	2.96	3.15	0.96-2.19	0.97-2.20
15.24 (600")	7.472	13.283	4.77	3.75	3.94	1.17-2.65	1.19-2.66

当屏幕宽高比为 4:3 吋 (投射率 : [0.44:1]) When the screen aspect ratio is 4:3 (Throw ratio : [0.44:1])							
SD	SH	SW	L1	L4		A1	
				PT-SDZ21K2C	PT-SDZ985C / PT-SDZ981C	PT-SDZ21K2C	PT-SDZ985C / PT-SDZ981C
3.05 (120")	1.829	2.438	1.07	0.06	0.25	0.17-0.40	0.18-0.42
3.81 (150")	2.286	3.048	1.33	0.32	0.51	0.24-0.53	0.25-0.55
5.08 (200")	3.048	4.064	1.76	0.76	0.95	0.36-0.75	0.37-0.76
6.35 (250")	3.810	5.080	2.20	1.19	1.38	0.47-0.96	0.49-0.98
7.62 (300")	4.572	6.096	2.64	1.63	1.82	0.59-1.18	0.60-1.19
8.89 (350")	5.334	7.112	3.07	2.06	2.25	0.71-1.40	0.72-1.41
10.16 (400")	6.096	8.128	3.51	2.50	2.69	0.83-1.61	0.84-1.63
12.70 (500")	7.620	10.160	4.38	3.37	3.56	1.06-2.04	1.07-2.06
15.24 (600")	9.144	12.192	5.25	4.24	4.43	1.29-2.47	1.31-2.49

● PT-SDZ18K2C

(单位 / Unit : m)

当屏幕宽高比为 16:9 时 (投射率 : [0.36:1])  
 When the screen aspect ratio is 16:9 (Throw ratio : [0.36:1])

SD	SH	SW	L1	L4	A1
3.05 (120")	1.494	2.657	0.97	-0.05	0.14-0.44
3.81 (150")	1.868	3.321	1.21	0.19	0.21-0.58
5.08 (200")	2.491	4.428	1.60	0.58	0.31-0.81
6.35 (250")	3.113	5.535	2.00	0.98	0.42-1.04
7.62 (300")	3.736	6.641	2.39	1.37	0.53-1.27
8.89 (350")	4.358	7.748	2.79	1.77	0.64-1.50
10.16 (400")	4.981	8.855	3.19	2.16	0.74-1.73
12.70 (500")	6.226	11.069	3.98	2.96	0.96-2.19
15.24 (600")	7.472	13.283	4.77	3.75	1.17-2.65

当屏幕宽高比为 4:3 时 (投射率 : [0.48:1])  
 When the screen aspect ratio is 4:3 (Throw ratio : [0.48:1])

SD	SH	SW	L1	L4	A1
3.05 (120")	1.829	2.438	1.18	0.16	0.20-0.56
3.81 (150")	2.286	3.048	1.47	0.45	0.28-0.73
5.08 (200")	3.048	4.064	1.96	0.94	0.41-1.01
6.35 (250")	3.810	5.080	2.44	1.42	0.54-1.30
7.62 (300")	4.572	6.096	2.93	1.90	0.67-1.58
8.89 (350")	5.334	7.112	3.41	2.39	0.80-1.86
10.16 (400")	6.096	8.128	3.89	2.87	0.94-2.14
12.70 (500")	7.620	10.160	4.86	3.84	1.20-2.71
15.24 (600")	9.144	12.192	5.83	4.81	1.46-3.27

● PT-SDS20K2C / PT-SDS955C

(单位 / Unit : m)

当屏幕宽高比为 4:3 时 ( 投射率 : [0.39:1]) When the screen aspect ratio is 4:3 (Throw ratio : [0.39:1])							
SD	SH	SW	L1	L4		A1	
				PT-SDS20K2C	PT-SDS955C	PT-SDS20K2C	PT-SDS955C
3.05 (120")	1.829	2.438	0.96	-0.06	0.13	0.14-0.26	0.15-0.28
3.81 (150")	2.286	3.048	1.20	0.18	0.37	0.20-0.36	0.22-0.37
5.08 (200")	3.048	4.064	1.59	0.57	0.76	0.31-0.51	0.32-0.53
6.35 (250")	3.810	5.080	1.99	0.96	1.15	0.42-0.67	0.43-0.69
7.62 (300")	4.572	6.096	2.38	1.36	1.55	0.52-0.83	0.54-0.84
8.89 (350")	5.334	7.112	2.77	1.75	1.94	0.63-0.99	0.64-1.00
10.16 (400")	6.096	8.128	3.17	2.14	2.33	0.73-1.14	0.75-1.16
12.70 (500")	7.620	10.160	3.95	2.93	3.12	0.95-1.46	0.96-1.47
15.24 (600")	9.144	12.192	4.74	3.72	3.91	1.16-1.77	1.17-1.78

当屏幕宽高比为 16:9 时 ( 投射率 : [0.36:1]) When the screen aspect ratio is 16:9 (Throw ratio : [0.39:1])							
SD	SH	SW	L1	L4		A1	
				PT-SDS20K2C	PT-SDS955C	PT-SDS20K2C	PT-SDS955C
3.05 (120")	1.494	2.657	1.05	0.03	0.22	0.16-0.55	0.18-0.56
3.81 (150")	1.868	3.321	1.31	0.28	0.47	0.23-0.71	0.25-0.72
5.08 (200")	2.491	4.428	1.73	0.71	0.90	0.35-0.98	0.36-1.00
6.35 (250")	3.113	5.535	2.16	1.14	1.33	0.47-1.26	0.48-1.27
7.62 (300")	3.736	6.641	2.59	1.57	1.76	0.58-1.53	0.60-1.55
8.89 (350")	4.358	7.748	3.02	2.00	2.19	0.70-1.81	0.71-1.82
10.16 (400")	4.981	8.855	3.45	2.43	2.62	0.81-2.08	0.83-2.10
12.70 (500")	6.226	11.069	4.30	3.28	3.47	1.04-2.63	1.06-2.65
15.24 (600")	7.472	13.283	5.16	4.14	4.33	1.28-3.18	1.29-3.20

● PT-SDW17K2C / PT-SDW935C

(单位 / Unit : m)

当屏幕宽高比为 16:9 时 ( 投射率 : [0.40:1])  
When the screen aspect ratio is 16:9 (Throw ratio : [0.40:1])

SD	SH	SW	L1	L4		A1	
				PT-SDW17K2C	PT-SDW935C	PT-SDW17K2C	PT-SDW935C
3.05 (120")	1.494	2.657	1.07	0.05	0.24	0.17-0.58	0.18-0.60
3.81 (150")	1.868	3.321	1.34	0.32	0.51	0.24-0.76	0.26-0.77
5.08 (200")	2.491	4.428	1.78	0.75	0.94	0.36-1.05	0.37-1.06
6.35 (250")	3.113	5.535	2.22	1.19	1.38	0.48-1.34	0.49-1.35
7.62 (300")	3.736	6.641	2.66	1.63	1.82	0.60-1.63	0.61-1.64
8.89 (350")	4.358	7.748	3.09	2.07	2.26	0.71-1.92	0.73-1.93
10.16 (400")	4.981	8.855	3.53	2.51	2.70	0.83-2.21	0.85-2.22
12.70 (500")	6.226	11.069	4.41	3.39	3.58	1.07-2.79	1.08-2.80
15.24 (600")	7.472	13.283	5.29	4.27	4.46	1.31-3.37	1.32-3.38

当屏幕宽高比为 4:3 时 ( 投射率 : [0.54:1])  
When the screen aspect ratio is 4:3 (Throw ratio : [0.54:1])

SD	SH	SW	L1	L4		A1	
				PT-SDW17K2C	PT-SDW935C	PT-SDW17K2C	PT-SDW935C
3.05 (120")	1.829	2.438	1.31	0.29	0.48	0.23-0.74	0.25-0.75
3.81 (150")	2.286	3.048	1.63	0.61	0.80	0.32-0.95	0.33-0.97
5.08 (200")	3.048	4.064	2.17	1.15	1.34	0.47-1.31	0.48-1.32
6.35 (250")	3.810	5.080	2.71	1.69	1.88	0.61-1.66	0.62-1.68
7.62 (300")	4.572	6.096	3.25	2.22	2.41	0.76-2.02	0.77-2.03
8.89 (350")	5.334	7.112	3.78	2.76	2.95	0.90-2.37	0.91-2.39
10.16 (400")	6.096	8.128	4.32	3.30	3.49	1.04-2.73	1.06-2.74
12.70 (500")	7.620	10.160	5.40	4.37	4.56	1.33-3.44	1.35-3.45
15.24 (600")	9.144	12.192	6.47	5.45	5.64	1.62-4.15	1.64-4.16

提示

- 列出的投影距离包含 ±5% 的误差。
- 使用“几何矫正”和“垂直梯形矫正”时，趋向于将投影画面调整为小于常规尺寸的大小。
- 投射率是基于在 3.81 m (150") 屏幕上投影时的值。

Note

- The listed projection distances involve an error of ±5%.
- "GEOMETRY" and "VERTICAL KEYSTONE" tend to correct the projected image to a size that is smaller than regular size.
- Throw ratio is based on the value during projection onto a 3.81 m (150") screen.



- 投影距离计算方法
- Projection distance formulas

如果使用的是本使用说明书中未列出的投影机画面尺寸,请测量投影画面对角尺寸SD(m)。然后使用提供的计算方法确定投影距离(L1),以及投影机顶部至屏幕底部边缘的距离(A1)。通过确定L1和A1,即可计算所有其他尺寸。通过以下计算获得的值均为近似值。

If you are using a projection screen size not listed in these Operating Instructions, measure the diagonal screen size SD (m). Then use the calculation methods provided to determine projection distance (L1) and the distance from the top of the projector to the bottom edge of the screen (A1).

Establishing dimensions L1 and A1 allows you to calculate all other dimensions. Note that the values obtained in the following calculations are approximations.

● PT-SRZ31KC

(单位 / Unit : m)

宽高比 Aspect ratio	L1	A1	
		最短 / Min.	最长 / Max.
16 : 10	= 0.303 × SD + 0.020	= 0.184 × SH - 0.128	= 0.283 × SH - 0.128
16 : 9	= 0.312 × SD + 0.020	= 0.205 × SH - 0.128	= 0.370 × SH - 0.128
4 : 3	= 0.343 × SD + 0.020	= 0.184 × SH - 0.128	= 0.283 × SH - 0.128

● PT-SRS30KC

宽高比 Aspect ratio	L1	A1	
		最短 / Min.	最长 / Max.
4 : 3	= 0.310 × SD + 0.020	= 0.166 × SH - 0.128	= 0.206 × SH - 0.128
16 : 9	= 0.337 × SD + 0.020	= 0.222 × SH - 0.128	= 0.441 × SH - 0.128

● PT-SRQ13KC

宽高比 Aspect ratio	L1	A1	
		最短 / Min.	最长 / Max.
16 : 10	= 0.325 × SD + 0.020	= 0.198 × SH - 0.128	= 0.339 × SH - 0.128
16 : 9	= 0.334 × SD + 0.020	= 0.220 × SH - 0.128	= 0.432 × SH - 0.128
4 : 3	= 0.368 × SD + 0.020	= 0.198 × SH - 0.128	= 0.339 × SH - 0.128

● PT-SRZ12KC

宽高比 Aspect ratio	L1	A1	
		最短 / Min.	最长 / Max.
16 : 10	= 0.303 × SD + 0.020	= 0.184 × SH - 0.128	= 0.283 × SH - 0.128
16 : 9	= 0.312 × SD + 0.020	= 0.205 × SH - 0.128	= 0.370 × SH - 0.128
4 : 3	= 0.343 × SD + 0.020	= 0.184 × SH - 0.128	= 0.283 × SH - 0.128

● PT-SRS11KC

宽高比 Aspect ratio	L1	A1	
		最短 / Min.	最长 / Max.
4 : 3	= 0.310 × SD + 0.020	= 0.166 × SH - 0.128	= 0.206 × SH - 0.128
16 : 9	= 0.337 × SD + 0.020	= 0.222 × SH - 0.128	= 0.441 × SH - 0.128

● PT-SDZ21K2C / PT-SDZ985C / PT-SDZ981C

(单位 / Unit : m)

	宽高比 Aspect ratio	L1	A1	
			最短 / Min.	最长 / Max.
PT-SDZ21K2C	16 : 10	= 0.303 × SD + 0.020	= 0.154 × SH - 0.114	= 0.283 × SH - 0.114
PT-SDZ985C / PT-SDZ981C			= 0.154 × SH - 0.100	= 0.283 × SH - 0.100
PT-SDZ21K2C	16 : 9	= 0.312 × SD + 0.020	= 0.172 × SH - 0.114	= 0.370 × SH - 0.114
PT-SDZ985C / PT-SDZ981C			= 0.172 × SH - 0.100	= 0.370 × SH - 0.100
PT-SDZ21K2C	4 : 3	= 0.343 × SD + 0.020	= 0.154 × SH - 0.114	= 0.283 × SH - 0.114
PT-SDZ985C / PT-SDZ981C			= 0.154 × SH - 0.100	= 0.283 × SH - 0.100

● PT-SDZ18K2C

宽高比 Aspect ratio	L1	A1	
		最短 / Min.	最长 / Max.
16 : 9	= 0.312 × SD + 0.020	= 0.172 × SH - 0.114	= 0.370 × SH - 0.114
4 : 3	= 0.381 × SD + 0.020	= 0.172 × SH - 0.114	= 0.370 × SH - 0.114

● PT-SDS20K2C / PT-SDS955C

	宽高比 Aspect ratio	L1	A1	
			最短 / Min.	最长 / Max.
PT-SDS20K2C	4 : 3	= 0.310 × SD + 0.020	= 0.139 × SH - 0.114	= 0.206 × SH - 0.114
PT-SDS955C			= 0.206 × SH - 0.100	
PT-SDS20K2C	16 : 9	= 0.337 × SD + 0.020	= 0.186 × SH - 0.114	= 0.441 × SH - 0.114
PT-SDS955C			= 0.186 × SH - 0.100	= 0.441 × SH - 0.100

● PT-SDW17K2C / PT-SDW935C

	宽高比 Aspect ratio	L1	A1	
			最短 / Min.	最长 / Max.
PT-SDW17K2C	16 : 9	= 0.346 × SD + 0.020	= 0.190 × SH - 0.114	= 0.466 × SH - 0.114
PT-SDW935C			= 0.190 × SH - 0.100	= 0.466 × SH - 0.100
PT-SDW17K2C	4 : 3	= 0.423 × SD + 0.020	= 0.190 × SH - 0.114	= 0.466 × SH - 0.114
PT-SDW935C			= 0.190 × SH - 0.100	= 0.466 × SH - 0.100

● L2, L3, L4, A2 计算方法

Calculation method for L2, L3, L4 and A2

(单位 / Unit : m)

	L2	L3	L4	A2
PT-SRZ31KC / PT-SRS30KC	= L1 + 0.0287	= L1 - 0.262	= L1 - 1.332	= A1 + 0.419
PT-SRQ13KC / PT-SRZ12KC / PT-SRS11KC	= L1 + 0.0287	= L1 - 0.292	= L1 - 1.017	= A1 + 0.324
PT-SDZ21K2C / PT-SDS20K2C / PT-SDW17K2C / PT-SDZ18K2C			= L1 - 1.022	= A1 + 0.291
PT-SDZ985C / PT-SDS955C / PT-SDW935C / PT-SDZ981C			= L1 - 0.832	= A1 + 0.200





---

**制造商：松下电器产业株式会社**

日本大阪府门真市松叶町2番15号

网站：<http://panasonic.net>

**进口商：松下电器（中国）有限公司**

北京市朝阳区景华南街5号 远洋光华中心C座3层、6层

网站：<http://panasonic.cn/>

**原产地：日本 发行：2016年9月**

© 松下电器产业株式会社2016 版权所有。

HS0916AM0 -PS

日本印刷