



**SUPER**™

**Server Quality, Built for Gaming**

**C9Z490-PG**  
**C9Z490-PGW**

ENGLISH  
繁體中文  
简体中文  
日本語  
한국어

**QUICK REFERENCE GUIDE**

Revision 1.0b

## Standardized Warning Statements

### Motherboards

#### About Standardized Warning Statements

The following statements are industry standard warnings, provided to warn the user of situations which can potentially cause a bodily injury. Should you have questions or experience difficulty, contact Supermicro's Technical Support Department for assistance. Only certified technicians should attempt to install or configure components.

Read this section in its entirety before installing or configuring components in the Supermicro chassis.



**WARNING:** This product can expose you to chemicals including lead, known to the State of California to cause cancer and birth defects or other reproductive harm. For more information, go to [www.P65Warnings.ca.gov](http://www.P65Warnings.ca.gov).

#### Battery Handling



##### Warning!

There is a danger of explosion if the battery is replaced incorrectly. Replace the battery only with the same or an equivalent type recommended by the manufacturer. Dispose of used batteries according to the manufacturer's instructions.

##### 警告

電池更換不當會有爆炸危險。請使用製造商建議之相同或功能相當的電池更換原有電池。請按照製造商的說明指示處理廢棄舊電池。

##### 警告

電池更換不當會有爆炸危險。請只使用同類電池或製造商推薦的功能相當的電池更換原有電池。請按製造商的說明處理廢舊電池。

##### 電池の取り扱い

電池交換が正しく行われなかった場合、破裂の危険性があります。交換する電池はメーカーが推奨する型、または同等のものを使用下さい。使用済電池は製造元の指示に従って処分して下さい。

##### 경고!

배터리가 올바르게 교체되지 않으면 폭발의 위험이 있습니다. 기존 배터리와 동일하거나 제조사에서 권장하는 동등한 종류의 배터리로만 교체해야 합니다. 제조사의 안내에 따라 사용된 배터리를 처리하여 주십시오.

هناك خطر من انفجار في حالة استبدال البطارية بطريقة غير صحيحة فعليك استبدال البطارية فقط بنفس النوع أو ما يعادلها كما أوصت به الشركة المصنعة تخلص من البطاريات المستعملة وفقا لتعليمات الشركة الصانعة



**Note:** For complete product safety information, refer to [http://www.supermicro.com/about/policies/safety\\_information.cfm](http://www.supermicro.com/about/policies/safety_information.cfm).

## 限用物質含有情況標示聲明書

Declaration of the Presence Condition of the Restricted Substances Marking

設備名稱：主機板 / Motherboard Equipment name						
型號（型式）：C9Z490-PG, C9Z490-PGW Type designation (Type)						
單元 Unit	限用物質及其化學符號 Restricted substances and its chemical symbols					
	鉛Lead (Pb)	汞Mercury (Hg)	鎘Cadmium (Cd)	六價鉻 Hexavalent chromium (Cr <sup>+6</sup> )	多溴聯苯 Polybrominated biphenyls (PBB)	多溴二苯醚 Polybrominated diphenyl ethers (PBDE)
主機板 (Motherboard)	—	○	○	○	○	○
備考1. “超出0.1 wt %” 及 “超出0.01 wt %” 係指限用物質之百分比含量超出百分比含量基準值。 Note 1: “Exceeding 0.1 wt %” and “exceeding 0.01 wt %” indicate that the percentage content of the restricted substance exceeds the reference percentage value of presence condition.						
備考2. “○” 係指該項限用物質之百分比含量未超出百分比含量基準值。 Note 2: “○” indicates that the percentage content of the restricted substance does not exceed the percentage of reference value of presence.						
備考3. “—” 係指該項限用物質為排除項目。 Note 3: The “—” indicates that the restricted substance corresponds to the exemption.						

## AMI BIOS POST Codes

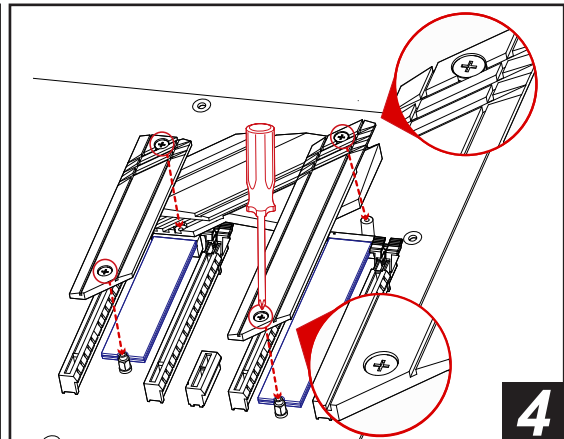
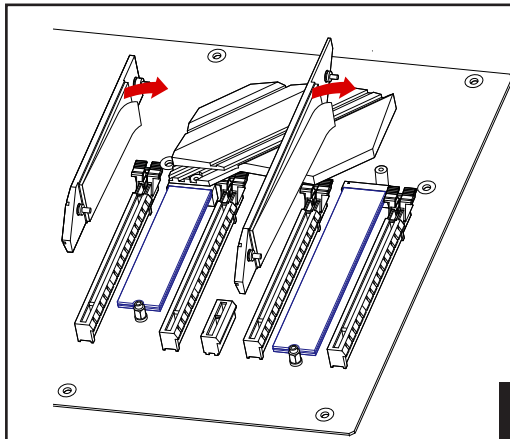
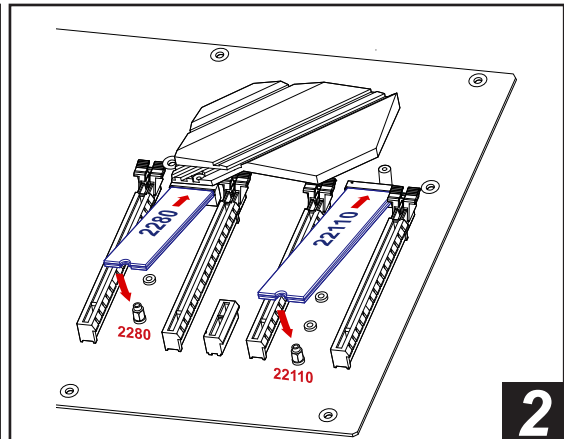
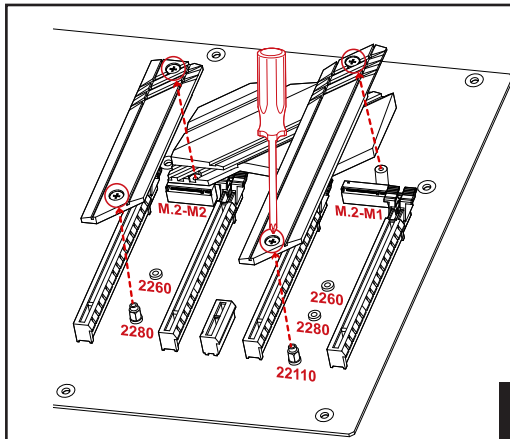
### About AMI BIOS POST Codes

The table below lists some of AMI BIOS POST codes for C9Z490-PG/-PGW. For more information, refer to [https://www.supermicro.com/manuals/other/AMI\\_AptioV\\_BIOS\\_POST\\_Codes\\_for\\_SM\\_Motherboards.pdf](https://www.supermicro.com/manuals/other/AMI_AptioV_BIOS_POST_Codes_for_SM_Motherboards.pdf).

Code	Description
0x32	CPU post-memory initialization is started
0x55	No Memory detected or memory failed
0x63	CPU DXE initialization is started
0x69	North Bridge DXE initialization is started
0x70	South Bridge DXE initialization is started
0x92	PCI Bus initialization is started
0x99	Super IO Initialization
0x9A	USB initialization is started
0xA0	IDE initialization is started
0xA9	Boot into BIOS setup menu
0xAE	Legacy Boot event
0xB2	Legacy Option ROM Initialization
0xB4	USB hot plug
0xD6	No console output devices are found
0xD7	No console input devices are found
0xF2	Recovery process started
0xF9	Recovery capsule is not found

## M.2 Device Installation Instructions

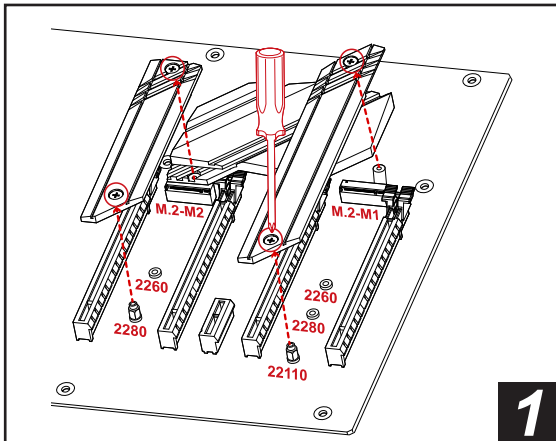
### Installation with Pre-installed Standoffs



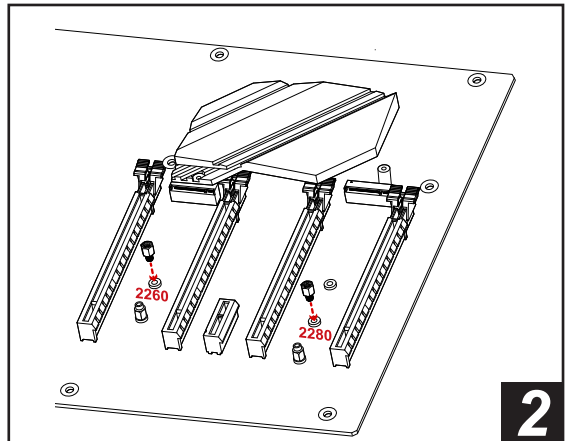
#### Notes:

1. **DO NOT** install the bounded M.2 heatsink (refer to steps 3 and 4) if the M.2 device has a heatsink installed.
2. Please assemble the M.2 heatsink back to the motherboard once the M.2 device has been removed.
3. Beware of the direction when assembling the heatsink (refer to step 4).
4. Refer to the user's manual for more detailed descriptions.

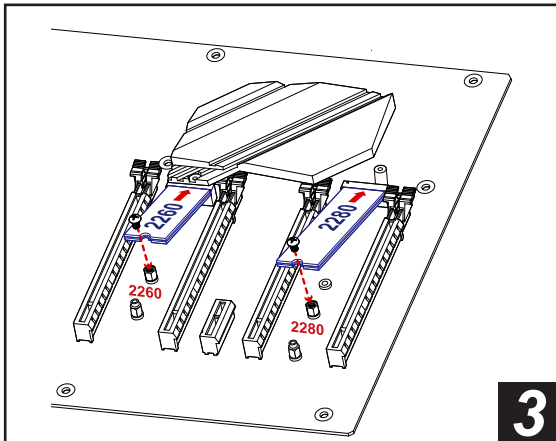
## Installation without Pre-installed Standoffs



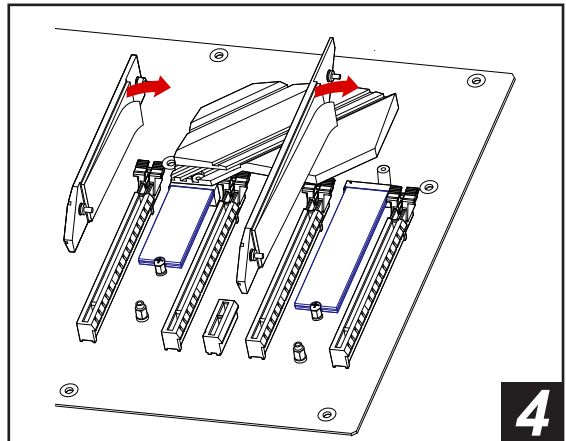
1



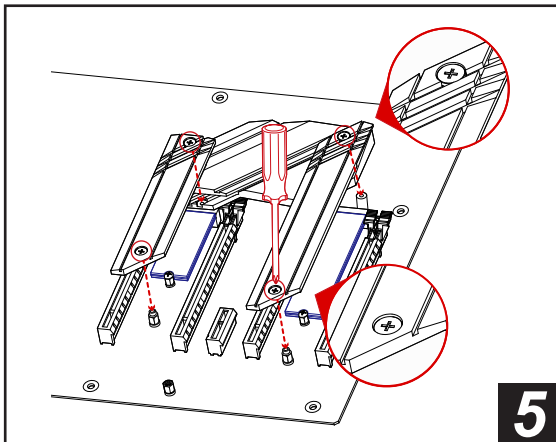
2



3



4

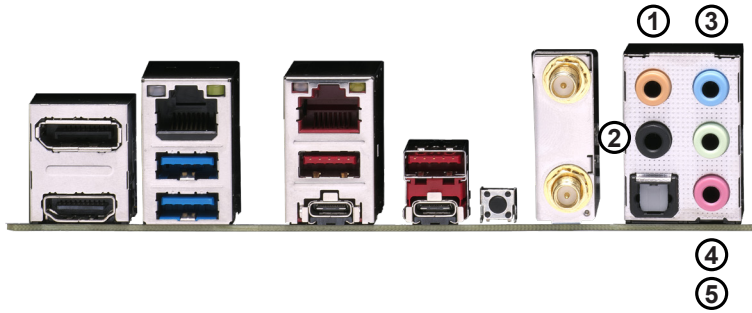


5

### Notes:

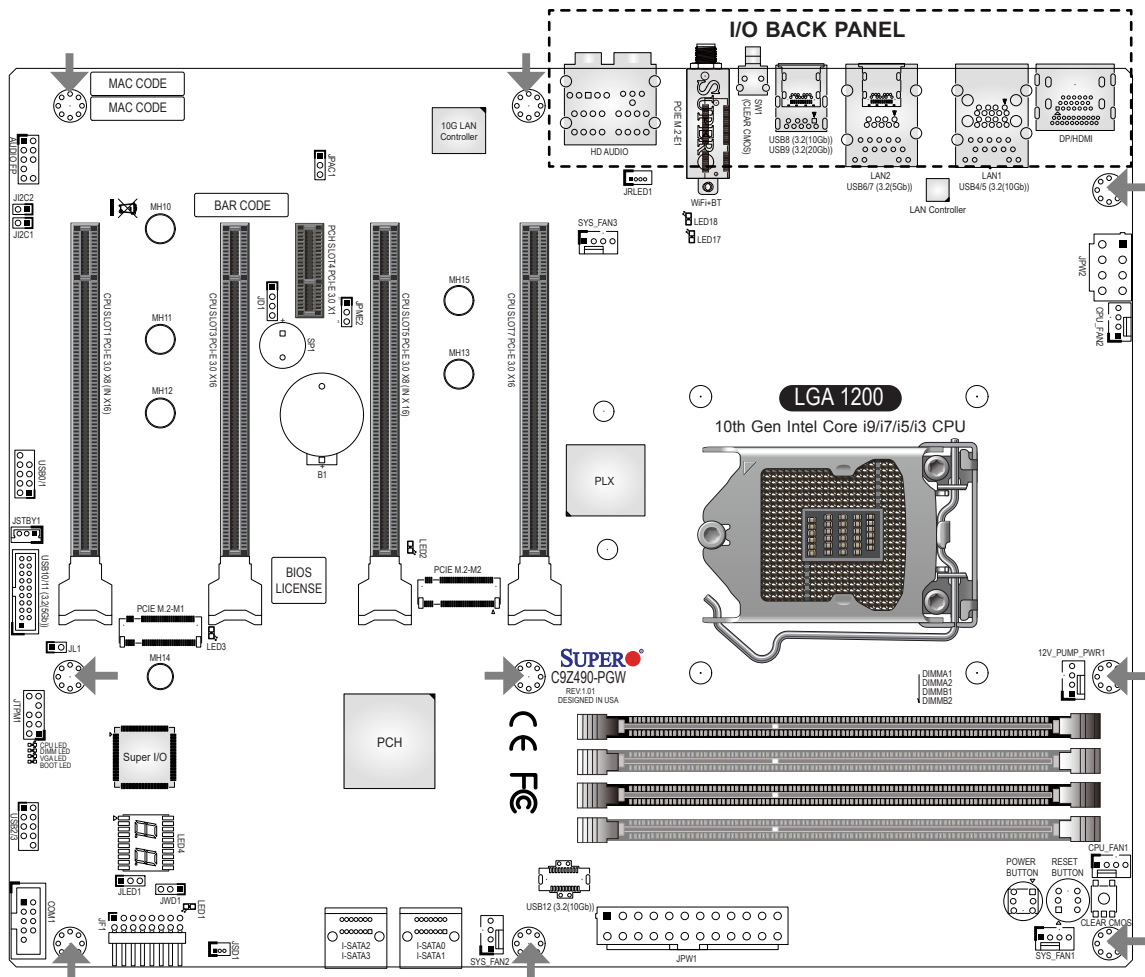
1. To install an M.2 22110 device, please refer to the instructions of Installation with Pre-installed Standoffs on the previous page.
2. **DO NOT** install the bounded M.2 heatsink (refer to steps 4 and 5) if the M.2 device has a heatsink installed.
3. Please assemble the M.2 heatsink back to the motherboard once the M.2 device has been removed.
4. Beware of the direction when assembling the heatsink (refer to step 5).
5. Refer to the user's manual for more detailed descriptions.

### Audio Configuration



Audio Configuration				
	2 Channel	4.1 Channel	5.1 Channel	7.1 Channel
① Orange (Center/LFE Out)			Center/Subwoofer	Center/Subwoofer
② Black (Surround)		Rear Speaker Out	Rear Speaker Out	Rear Speaker Out
③ Light Blue (Line In/Side Speaker Out)	Line In	Line In	Line In	Side Speaker Out
④ Lime (Line Out/Front Speaker Out)	Line Out	Front Speaker Out	Front Speaker Out	Front Speaker Out
⑤ Pink (Mic In)	Mic In	Mic In	Mic In	Mic In

## Motherboard Layout and Features



➔ = mounting hole



## PACKAGE CONTENTS

- One Supermicro Motherboard
- Four SATA Cables
- One I/O Shield
- One S-Connector
- One Quick Reference Guide
- One Driver CD
- Two Antennas (C9Z490-PGW only)

## Jumpers and Connectors

Jumpers		
Jumper	Description	Default
CLEAR CMOS	Clear CMOS Switch	Push Button Switch
J12C1/J12C2	SMB to PCIe Slots	Open (Off): Disable
JPAC1	Audio Enable/Disable	Pins 1-2 (Enable)
JPME2	Intel Manufacturing Mode	Pins 1-2 (Normal)
JWD1	Watch Dog Function Enable	Pins 1-2 (RST)
POWER BUTTON	Internal Power Button	Push Button Switch
RESET BUTTON	Onboard System Reset Button	Push Button Switch
SW1	Back Panel Clear CMOS Switch	Push Button Switch

Connectors	
Connector	Description
12V_PUMP_PWR1	12V 4-pin Power Connector for CPU Liquid Cooling Pump
AUDIO FP	Front Panel Audio Header
B1	Onboard Battery
COM1	COM1 Header
CPU_FAN1 ~ CPU_FAN2	CPU Fan Headers
CPU SLOT1/CPU SLOT5 PCI-E 3.0 x8 (IN x16)	PCIe 3.0 x16 Slots (PCIe 3.0 x8 Link ) *CPU Slot1/Slot5 PCIe 3.0 x8 (IN x16) slot shares PCIe x16 link with CPU Slot3/Slot7 PCIe 3.0 x16 slot, therefore CPU Slot3/Slot7 PCIe 3.0 x16 link will change to PCIe 3.0 x8 link when one graphics card is installed in CPU Slot1/Slot5 PCIe 3.0 x8 (IN x16) slot.
CPU SLOT3/CPU SLOT7 PCI-E 3.0 x16	PCIe 3.0 x16 Slots (PCIe 3.0 x16 Link) *Always plug in one graphics card in CPU Slot3/Slot7 PCIe 3.0 x16 slot first to maximize performance.
DP/HDMI	Back Panel DisplayPort/High Definition Multimedia Interface
HD AUDIO	High Definition Audio Ports
I-SATA0~3	(Intel Z490) Serial ATA (SATA 3.0) Ports 0~3 (6Gb/sec)
JD1	Speaker/Buzzer (Pins 1~4: External Speaker, Pins 3~4: Buzzer)
JF1	Front Control Panel Header *Please align the printed indications on the S-Connector with the corresponding pins on JF1 when plugging in.
JL1	Chassis Intrusion Header
JLED1	Power LED Indicator Header
JPW1	24-pin ATX Main Power Connector (Required)
JPW2	+12V 8-pin CPU Power Connector (Required)
JRLED1	4-pin Connector for a White Light LED Board (Pre-installed) Inside the I/O cover
JSD1	SATA DOM (Disk-On-Module) Power Connector
JSTBY1	Standby Power Header
JTPM1	Trusted Platform Module (TPM)/Port 80 Header (Supports TPM 2.0 only)
LAN1/LAN2	RJ45 10GbE/5GbE LAN Ports
PCIE M.2-E1	WiFi 6+BT 5.1 (Pre-installed, for C9Z490-PGW only)
PCIE M.2-M1/M.2-M2	PCIe M.2 M Key Sockets. Small Form Factor Devices and Other Portable Devices for High Speed NVMe SSDs *Support RAID 0,1.
PCH SLOT4 PCI-E 3.0 x1	PCIe 3.0 x1 Slot (PCIe 3.0 x1 Link)
SP1	Internal Speaker/Buzzer
SYS_FAN1 ~ SYS_FAN3	System Fan Headers
USB 0/1, 2/3	Front Panel Accessible USB 2.0 Headers
USB 4/5	Back Panel USB 3.2 Gen 1 Ports (Type A)
USB 6	Back Panel USB 3.2 Gen 2 Port (Type A)
USB 7	Back Panel USB 3.2 Gen 2 Port (Type C)
USB 8	Back Panel USB 3.2 Gen 2 Port (Type A)
USB 9	Back Panel USB 3.2 Gen 2x2 Port (Type C)
USB 10/11	Front Panel Accessible USB 3.2 Gen 1 Header
USB 12	Front Panel Accessible USB 3.2 Gen 2 20-pin Connector

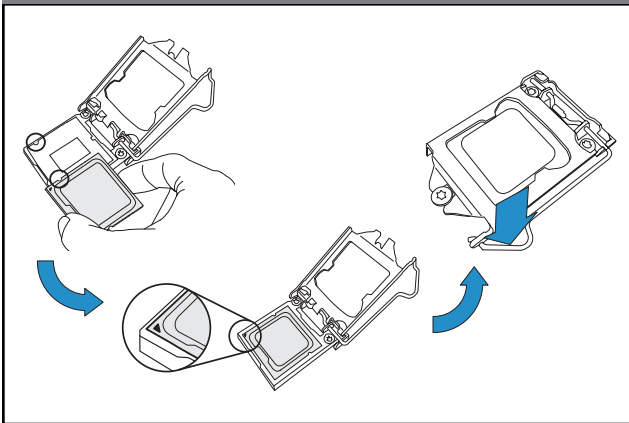
## CONTACT INFORMATION

- [www.supermicro.com](http://www.supermicro.com) (Email: [support@supermicro.com](mailto:support@supermicro.com))
- Manuals: <http://www.supermicro.com/support/manuals>
- Drivers & Utilities: <https://www.supermicro.com/wftp/driver/>
- Safety: [http://www.supermicro.com/about/policies/safety\\_information.cfm](http://www.supermicro.com/about/policies/safety_information.cfm)

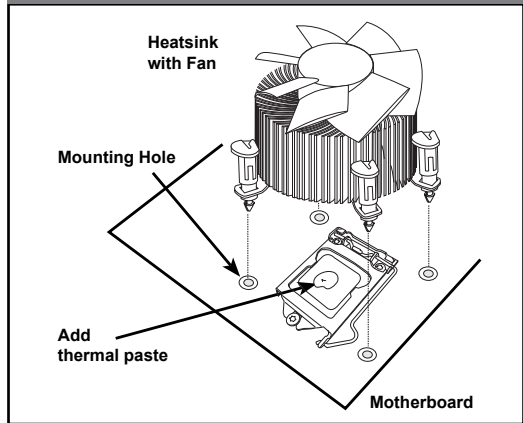
## LED Indicators

LED Indicators		
LED	Description	Color/State
BOOT LED	Bootable Device POST (Power-On Self-Test) Status	Bootable Device POST: Orange ON Bootable Device POST Completion: OFF
CPU LED	CPU POST (Power-On Self-Test) Status	CPU POST: Yellow ON CPU POST Completion: OFF
DIMM LED	DIMM POST (Power-On Self-Test) Status	DIMM POST: Blue ON DIMM POST Completion: OFF
LED1	Onboard Power LED S3 (Suspend to RAM) LED	Power On: Green On S3: Green Blinking
LED17	WLAN POST (Power-On Self-Test) Status	WLAN POST: Green ON WLAN POST Completion: OFF
LED18	Bluetooth Device POST (Power-On Self-Test) Status	Bluetooth Device POST: Green ON Bluetooth Device POST Completion: OFF
LED2	PCIe M.2-M2 Socket LED	PCIe Device Detected: Green ON Activity: Green Blinking
LED3	PCIe M.2-M1 Socket LED	PCIe Device Detected: Green ON Activity: Green Blinking
LED4	BIOS POST Code LED	Digital Readout
VGA LED	Onboard VGA POST (Power-On Self-Test) Status	Onboard VGA POST: Green ON Onboard VGA POST Completion: OFF

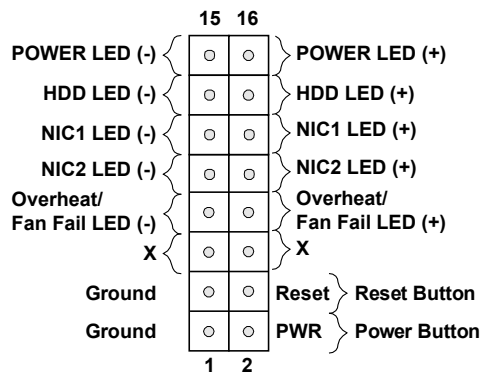
## CPU Installation



## Heatsink Installation



## Front Control Panel (JF1)



## NOTES

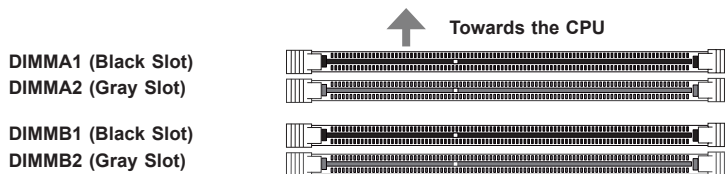
- Graphics shown in this quick reference guide are for illustration only. Your components may or may not look exactly the same as drawings shown in this guide.
- Refer to Chapter 2 of the User Manual for detailed information on jumpers, connectors, LED indicators, memory support and CPU/motherboard installation instructions.

## CPU & Memory Support

The C9Z490-PG/-PGW supports a single 10th Gen Intel® Core™ i9/i7/i5/i3, Pentium®, and Celeron® series processor, up to 128GB of Unbuffered non-ECC UDIMM with speeds of up to 2933MHz (by CPU) in four 288-pin memory slots. Populating these DIMM slots with a pair of memory modules of the same type and size will result in interleaved memory, which will improve memory performance.

- Notes:**
- 1) For memory optimization, use only DIMM modules that have been validated by Supermicro. For the latest memory updates, please refer to our website at <http://www.supermicro.com/products/motherboard>.
  - 2) Always connect the power cord last, and always remove it before adding, removing, or changing any hardware components.
  - 3) Only use a 10th Gen Intel Core i9/i7/i5/i3, Pentium, and Celeron series processor (LGA1200) to boot up, otherwise system will not be powered on.
  - 4) Overheating can seriously damage CPU and motherboard. Always make sure cooling fans function properly to protect CPU from overheating.

### DIMM Memory Installation



### Memory Population Guidelines

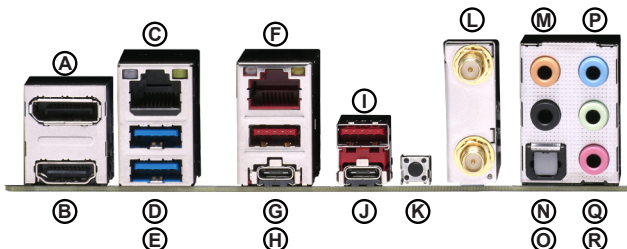
When installing memory modules, the DIMM slots should be populated in the following order: DIMMA2, DIMMB2, then DIMMA1, DIMMB1.

- Always use DDR4 DIMM modules of the same size, type, and speed.
- Mixed DIMM speeds can be installed. However, all DIMMs will run at the speed of the slowest DIMM.

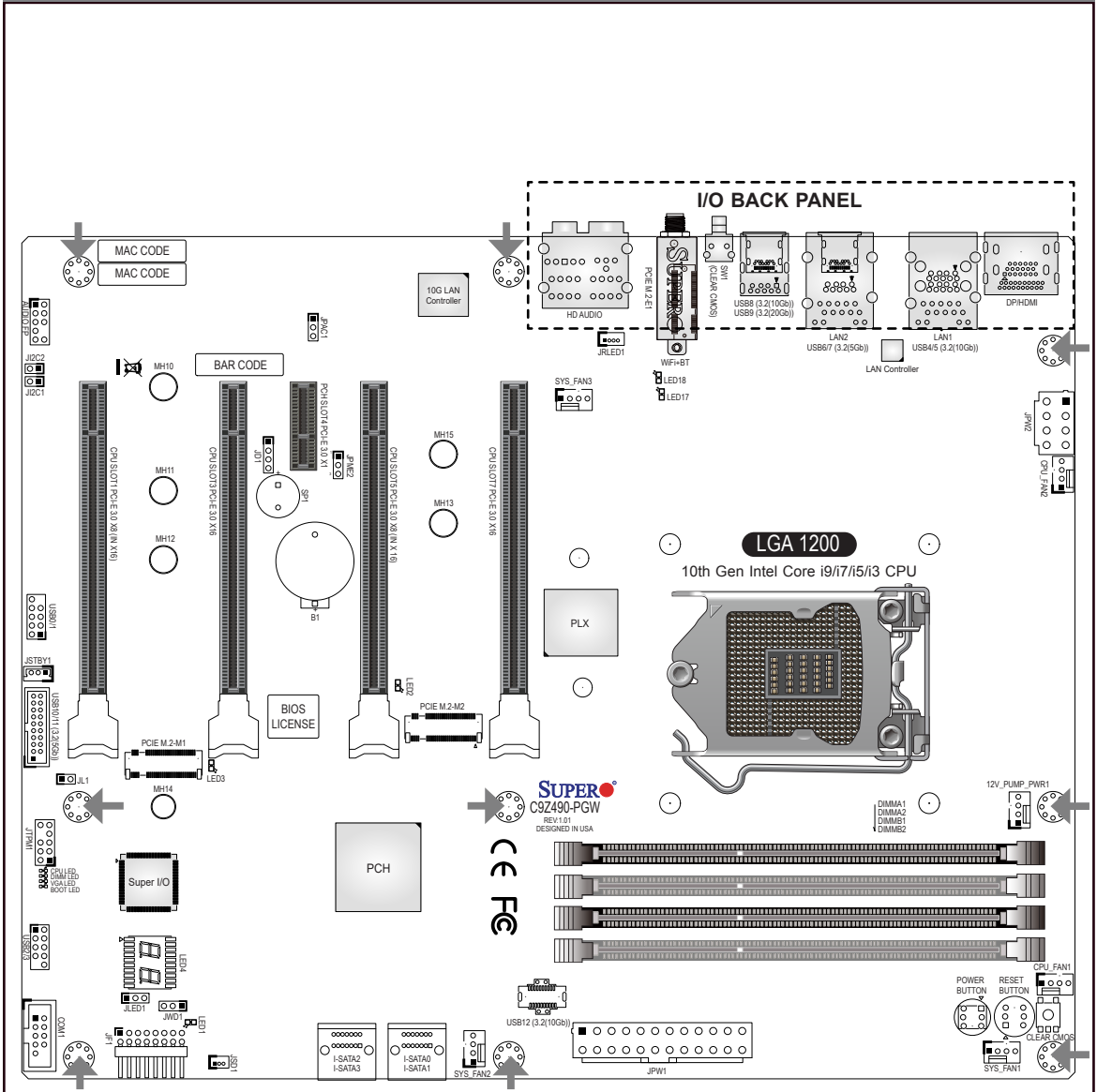
Recommended Population (Balanced)				
DIMMA1	DIMMB1	DIMMA2	DIMMB2	Total System Memory
		2GB DIMM	2GB DIMM	4GB
2GB DIMM	2GB DIMM	2GB DIMM	2GB DIMM	8GB
		4GB DIMM	4GB DIMM	8GB
4GB DIMM	4GB DIMM	4GB DIMM	4GB DIMM	16GB
		8GB DIMM	8GB DIMM	16GB
8GB DIMM	8GB DIMM	8GB DIMM	8GB DIMM	32GB
		16GB DIMM	16GB DIMM	32GB
16GB DIMM	16GB DIMM	16GB DIMM	16GB DIMM	64GB
		32GB DIMM	32GB DIMM	64GB
32GB DIMM	32GB DIMM	32GB DIMM	32GB DIMM	128GB

## Back Panel I/O Connectors

A. DisplayPort	G. USB6: USB 3.2 Gen 2 (Type A)	M. Center/LFE Out
B. HDMI Port	H. USB7: USB 3.2 Gen 2 (Type C)	N. Surround Out
C. Ethernet RJ45 10GbE Port 1	I. USB8: USB 3.2 Gen 2 (Type A)	O. S/PDIF Out
D. USB4: USB 3.2 Gen 1 (Type A)	J. USB9: USB 3.2 Gen 2x2 (Type C)	P. Line In
E. USB5: USB 3.2 Gen 1 (Type A)	K. SW1: CLEAR CMOS	Q. Line Out
F. Ethernet RJ45 5GbE Port 2	L. WiFi 6+BT 5.1 (C9Z490-PGW only)	R. Mic In



#### 主機板元件配置圖



➔ = 裝機孔

## 單一主機板包裝盒內容清單

- Supermicro主機板 x1
- SATA訊號線 x4
- 後檔板 x1
- S-轉接器 x1
- 快速參考指南 x1
- 驅動程式光碟片 x1
- 天線 x2 (僅 C9Z490-PGW 提供)

## 跳線器/連接埠

### 跳線器 ( Jumper )

跳線器	說明	預設值
CLEAR CMOS	CMOS ( 可讀寫隨機存取記憶體晶片 ) 組態資料清除開關	按鍵式開關
J12C1/J12C2	啟用 / 停用PCIe ( 系統匯流排 ) 插槽SMB的功能	停用
JPAC1	啟用 / 停用音源	針腳1-2 ( 啟用 )
JPME2	Intel製造模式	針腳1-2 ( 正常 )
JWD1	啟動系統監控 ( Watch Dog ) 功能	針腳1-2 ( 重設 )
POWER BUTTON	內部電源開關	按鍵式開關
RESET BUTTON	系統重設開關	按鍵式開關
SW1	背板CMOS ( 可讀寫隨機存取記憶體晶片 ) 組態資料清除開關	按鍵式開關

### 連接埠 ( Connector )

連接埠	說明
12V_PUMP_PWR1	12V水冷幫浦電源插座
AUDIO FP	前面板音效接頭
B1	內建電池
COM1	COM1序列連接埠
CPU_FAN1 ~ CPU_FAN2	CPU ( 中央處理器 ) 風扇接頭
CPU SLOT1/CPU SLOT5 PCI-E 3.0 x8 ( IN x16 )	PCIe 3.0 x16插槽 · 支援PCIe 3.0 x8運作效能規格 *CPU Slot1/Slot5 PCIe 3.0 x8 ( IN x16 ) 插槽與CPU Slot3/Slot7 PCIe 3.0 x16插槽共享頻寬 · 所以當CPU Slot1/Slot5 PCIe 3.0 x8 ( IN x16 ) 插槽安裝顯示卡時 · CPU Slot3/Slot7 PCIe 3.0 x16插槽最高以 x8頻寬運作 ·
CPU SLOT3/CPU SLOT7 PCI-E 3.0 x16	PCIe 3.0 x16插槽 · 支援PCIe 3.0 x16運作效能規格 *為發揮顯示卡最大效能 · 如只安裝一張顯示卡時務必優先安裝至CPU Slot3/Slot7 PCIe 3.0 x16插槽 ·
DP/HDMI	背板DisplayPort顯示連接埠/高畫質多媒體介面 ( HDMI ) 連接埠
HD AUDIO	背板5個音源接頭 ( 中央及重低音輸出、後喇叭輸出、音源輸入、音源輸出、麥克風 ) 和1個S/PDIF光纖輸出插座
I-SATA0~3	( Intel Z490 ) 序列ATA介面 ( SATA 3.0 ) 連接埠 0~3 ( 6Gb/秒 )
JD1	喇叭/蜂鳴器 ( 針腳 1~4 : 外接喇叭 · 針腳 3~4 : 蜂鳴器 )
JF1	前控制面板接頭 *請參照S-轉接器上面的印刷標示連接對應的前控制面板針腳 ·
JL1	機殼防盜裝置接頭
JLED1	LED指示燈電源接頭
JPW1	24針腳ATX主電源連接埠 ( 必備 )
JPW2	+12伏特8針腳CPU電源連接埠 ( 必備 )
JRLED1	4-pin 接頭連接I/O上蓋內部的白光LED導光板 ( 已安裝 )
JSD1	SATA DOM ( 磁碟模組 ) 電源連接埠
JSTBY1	待機電源接頭
JTPM1	TPM信任平台模組/Port 80 插座 ( 僅支援TPM 2.0 )
LAN1/LAN2	RJ45 10GbE/5GbE 網路連接埠
PCI-E M.2-E1	WiFi 6+BT 5.1 ( C9Z490-PGW出貨預連接一張無線網卡 )
PCI-E M.2-M1/M.2-M2	PCIe M.2介面連接埠 · 適用具高速傳輸NVMe介面之小尺寸以及其他可攜式M.2固態硬碟 ( 註 : PCIe為電腦匯流的一種規格、M.2為固態硬碟的一種傳輸介面、而NVMe為非揮發性記憶體儲存裝置的一種標準。 ) *支援RAID 0,1 ·
PCH SLOT4 PCI-E 3.0 x1	PCIe 3.0 x1插槽 · 支援PCIe 3.0 x1運作效能規格
SP1	內部喇叭/蜂鳴器
SYS_FAN1 ~ SYS_FAN3	系統風扇接頭
USB 0/1, 2/3	前面板USB 2.0 規格接頭
USB 4/5	背板USB 3.2 Gen 1規格連接埠 ( Type A )
USB 6	背板USB 3.2 Gen 2規格連接埠 ( Type A )
USB 7	背板USB3.2 Gen 2規格連接埠 ( Type C )
USB 8	背板USB 3.2 Gen 2x2 規格連接埠 ( Type A )
USB 9	背板USB 3.2 Gen 2 規格連接埠 ( Type C )
USB 10/11	前面板USB 3.2 Gen 1規格接頭
USB 12	USB 3.2 Gen 2規格連接埠 · 適用於連接機殼前面板Type C連接埠

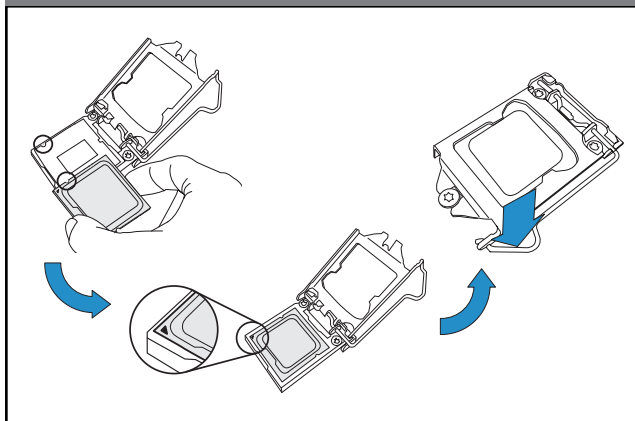
## 線上技術支援及下載

- 聯絡我們 ( 技術支援信箱 ) : [www.supermicro.com](http://www.supermicro.com) ( Email: [support@supermicro.com](mailto:support@supermicro.com) )
- 產品手冊文件 : <http://www.supermicro.com/support/manuals>
- 驅動程式及工具程式 : <https://www.supermicro.com/wftp/driver/>
- 產品安全性須知 : [http://www.supermicro.com/about/policies/safety\\_information.cfm](http://www.supermicro.com/about/policies/safety_information.cfm)

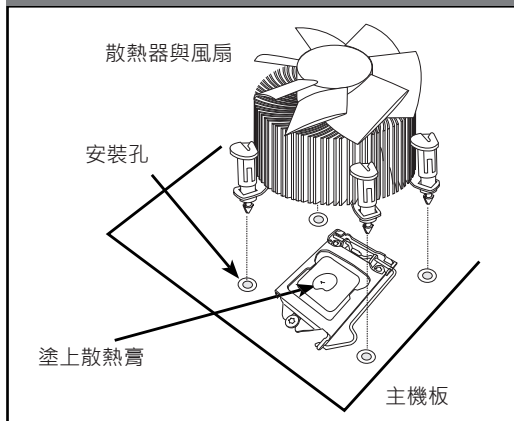
## LED指示燈

LED 指示燈		
LED	說明	燈號顏色/狀態
BOOT LED	顯示硬碟開機時POST狀態	正在執行硬碟POST程序：橘燈 完成硬碟POST程序：燈滅
CPU LED	顯示CPU POST狀態	正在執行CPU POST程序：黃燈 完成CPU POST程序：燈滅
DIMM LED	顯示記憶體POST狀態	正在執行記憶體POST程序：藍燈 完成記憶體POST程序：燈滅
LED1	開啟/S3模式 ( 待機 ) 指示燈	開機：綠燈 待機S3模式：綠燈閃爍
LED17	無線網路 POST狀態	正在執行無線網路 POST程序：綠燈 完成無線網路 POST程序：燈滅
LED18	藍芽 POST狀態	正在執行藍芽POST程序：綠燈 完成藍芽POST程序：燈滅
LED2	PCIe M.2-M2指示燈	偵測到裝置：綠燈恆亮 裝置運作中：綠燈閃爍
LED3	PCIe M.2-M1指示燈	偵測到裝置：綠燈恆亮 裝置運作中：綠燈閃爍
LED4	BIOS POST代碼指示燈	數位式讀值
VGA LED	顯示VGA顯示卡開機時POST狀態	正在執行VGA顯示卡POST程序：綠燈 完成VGA顯示卡POST程序：燈滅

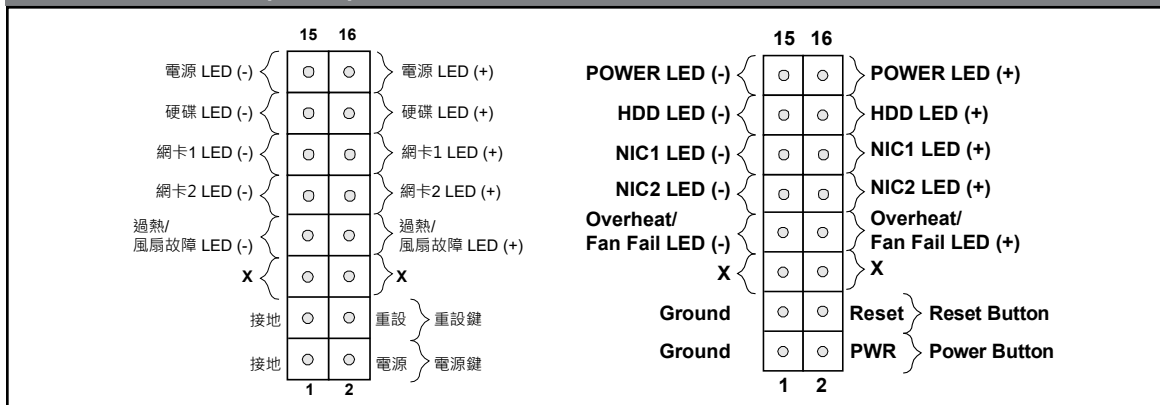
## 中央處理器安裝方式



## 散熱器安裝方式



## 前控制面板配置 ( JF1 )



## 備註

- 快速參考指南中的圖例僅供安裝及操作說明使用，可能與實際產品外觀不同。
- 欲知更多跳線器/連接埠/指示燈/記憶體/主機板/中央處理器的安裝相關資訊，請參閱《SUPERMICRO C9Z490-PG-PGW使用手冊》第二章。

## 中央處理器和記憶體支援

本主機板 C9Z490-PG-PGW 支援單顆第十代Intel® Core™ i9/i7/i5/i3、Pentium®及Celeron®系列處理器。記憶體支援四組Unbuffered DIMM non-ECC DDR4，容量最高128GB，速度最高達2933MHz（根據使用的CPU規格）288支針腳的記憶體插槽。欲取得雙通道效能，請安裝成對相同型號與速度之記憶體。

註：1) 請安裝使用本公司所認可的記憶體模組以達記憶體模組最佳化。更多的記憶體模組相關訊息，請參閱本公司網頁 (<http://www.supermicro.com/products/motherboard>)。

- 2) 增加、移除和更換任何硬體元件前，請務必先拔掉電源線。待確實完成所有程序後，再重新連接電源線。
- 3) 安裝CPU處理器時，請務必只使用第十代Intel Core i9/i7/i5/i3, Pentium, 和Celeron (LGA1200)系列處理器。
- 4) 請確保冷卻風扇工作正常，以避免系統過熱損壞CPU和主機板。

## DIMM (記憶體模組) 安裝方式

DIMMA1 (黑色插槽)



DIMMA2 (灰色插槽)



DIMMB1 (黑色插槽)



DIMMB2 (灰色插槽)



此面朝向中央處理器

請依照以下說明及表格安裝記憶體模組：

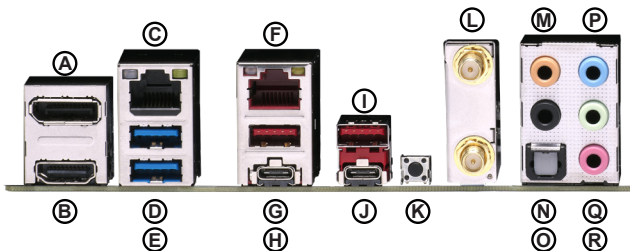
- 請遵循下列插槽編號順序依序安裝：DIMMA2 (通道A、插槽2)、DIMMB2 (通道B、插槽2)、DIMMA1 (通道A、插槽1)、DIMMB1 (通道B、插槽1)。
- 請使用相同型號 (DDR4 DIMM) 與速度之記憶體。若混合使用不同速度之記憶體，系統將依較低的記憶體速度執行。

建議插槽使用方式

DIMMA1	DIMMB1	DIMMA2	DIMMB2	系統記憶體總容量
		2GB DIMM	2GB DIMM	4GB
2GB DIMM	2GB DIMM	2GB DIMM	2GB DIMM	8GB
		4GB DIMM	4GB DIMM	8GB
4GB DIMM	4GB DIMM	4GB DIMM	4GB DIMM	16GB
		8GB DIMM	8GB DIMM	16GB
8GB DIMM	8GB DIMM	8GB DIMM	8GB DIMM	32GB
		16GB DIMM	16GB DIMM	32GB
16GB DIMM	16GB DIMM	16GB DIMM	16GB DIMM	64GB
		32GB DIMM	32GB DIMM	64GB
32GB DIMM	32GB DIMM	32GB DIMM	32GB DIMM	128GB

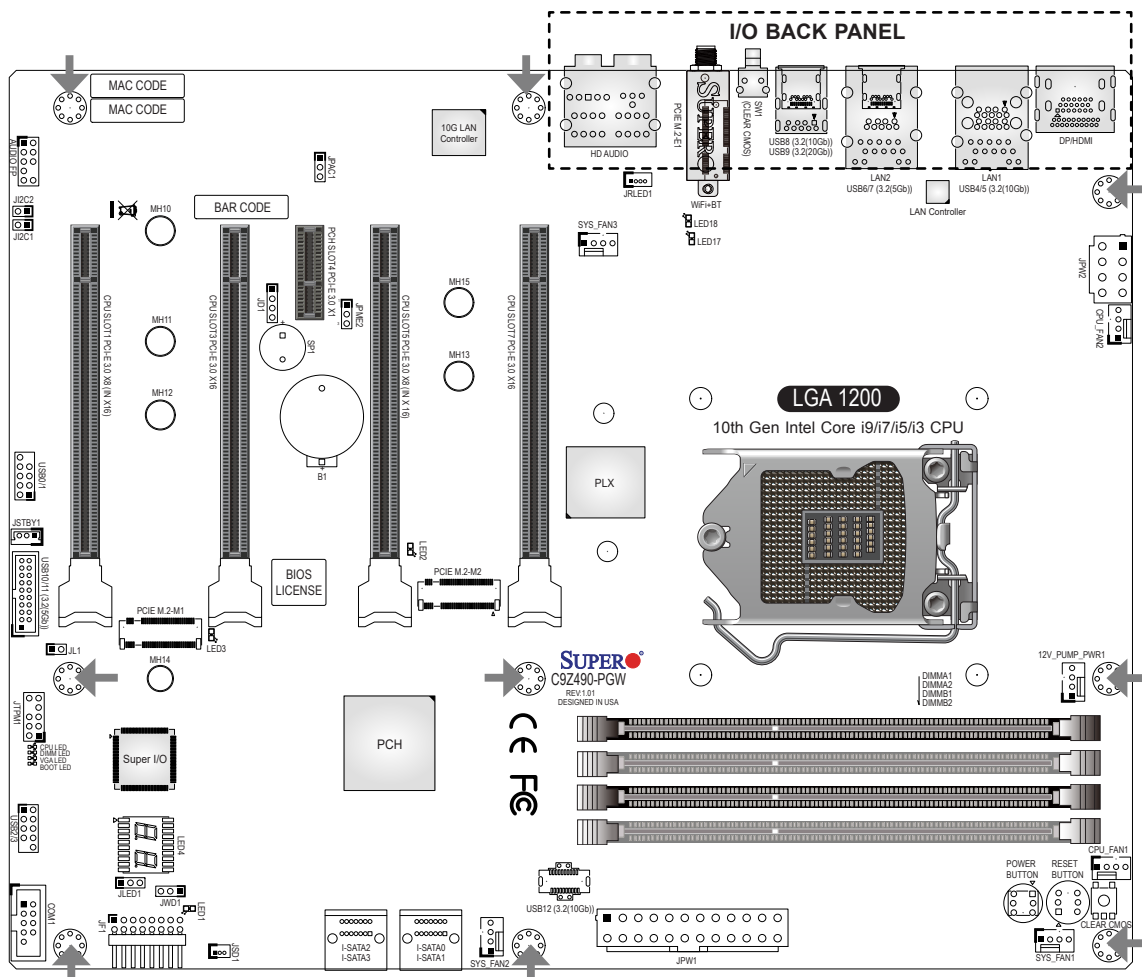
## 背板輸出/輸入連接埠

A. DisplayPort 顯示連接埠	G. USB6: USB 3.2 Gen 2 (Type A) 連接埠	M. 中央/低音聲道輸出
B. 高畫質多媒體介面(HDMI) 連接埠	H. USB7: USB 3.2 Gen 2 (Type C) 連接埠	N. 環繞聲道輸出
C. RJ45 10GbE網路線連接埠 1	I. USB8: USB 3.2 Gen 2 (Type A) 連接埠	O. S/PDIF輸出
D. USB4: USB 3.2 Gen 1 (Type A) 連接埠	J. USB9: USB 3.2 Gen 2x2 (Type C) 連接埠	P. 音效輸入
E. USB5: USB 3.2 Gen 1 (Type A) 連接埠	K. SW1: CMOS組態資料清除	Q. 音效輸出
F. RJ45 5GbE網路線連接埠 2	L. WiFi 6+BT 5.1 (僅 C9Z490-PGW)	R. 麥克風插孔





#### 主板元件功能布局图



➔ = 螺丝孔



## 单一主板包装盒内容清单

- Supermicro主板 x1
- SATA数据线 x4
- 后挡板 x1
- S-转接器 x1
- 快速参考指南 x1
- 驱动程序光盘 x1
- 天线 x2 (仅 C9Z490-PGW 提供)

## 跳帽/接口

跳帽 (Jumper)		
跳帽	说明	默认值
CLEAR CMOS	CMOS (可读写随机存取内存芯片) 设置参数清除开关	按键式开关
J12C1/J12C2	启用 / 停用PCIe (系统总线) 插槽SMB的功能	停用
JPAC1	启用 / 停用音源	针脚1-2 (启用)
JPME2	Intel制造模式	针脚1-2 (正常)
JWD1	启动系统看门狗监控 (Watch Dog) 功能	针脚1-2 (重设)
POWER BUTTON	内部电源开关	按键式开关
RESET BUTTON	系统重设开关	按键式开关
SW1	背板CMOS (可读写随机存取内存芯片) 设置参数清除开关	按键式开关

接口 (Connector)	
接口	说明
12V_PUMP_PWR1	12V水冷泵电源插座
AUDIO FP	前面板音效接头
B1	内建电池
COM1	COM1串口插座
CPU_FAN1 ~ CPU_FAN2	CPU (中央处理器) 风扇接头
CPU SLOT1/CPU SLOT5 PCI-E 3.0 x8 (IN x16)	PCIe 3.0 x16插槽, 支持PCIe 3.0 x8总线规格 *CPU Slot1/Slot5 PCIe 3.0 x8 (IN x16) 插槽与CPU Slot3/Slot7 PCIe 3.0 x16插槽共享带宽, 所以当CPU Slot1/Slot5 PCIe 3.0 x8 (IN x16) 插槽安装显卡时, CPU Slot3/Slot7 PCIe 3.0 x16插槽最高以 x8带宽运行。
CPU SLOT3/CPU SLOT7 PCI-E 3.0 x16	PCIe 3.0 x16插槽, 支援PCIe 3.0 x16总线规格 *为发挥显卡最大效能, 如只安装一张显卡时务必优先安装至CPU Slot3/Slot7 PCIe 3.0 x16插槽。
DP/HDMI	背板DisplayPort显示端口/高画质多媒体介面 (HDMI) 端口
HD AUDIO	背板5个音源接头 (中央及重低音输出、后喇叭输出、音源输入、音源输出、麦克风) 和1个S/PDIF光纤输出插座
I-SATA0~3	(Intel Z490) 串行ATA (SATA 3.0) 端口 0~3 (6Gb/秒)
JD1	喇叭/蜂鸣器 (针脚 1~4: 外接喇叭, 针脚 3~4: 蜂鸣器)
JF1	前控制面板插座 *请参照S-转接器上面的印刷标示连接对应的前控制面板针脚。
JL1	机壳防盗装置插座
JLED1	LED指示灯电源插座
JPW1	24针脚ATX主电源端口 (必备)
JPW2	+12伏特8针脚CPU电源端口 (必备)
JRLED1	4-pin 接头, 连接I/O上盖内部的光白LED导光板 (已安装)
JSD1	SATA DOM (磁盘模块) 电源端口
JSTBY1	待机电源插座
JTPM1	TPM信任平台模块/Port 80 插座 (仅支持TPM 2.0)
LAN1/LAN2	RJ45 10GbE/5GbE 网络端口
PCIE M.2-E1	WiFi 6+BT 5.1 (C9Z490-PGW出货预连接一张无线网卡)
PCIE M.2-M1/M.2-M2	PCIe M.2界面端口, 适用高速传输NVMe总线之小尺寸以及其他可携式M.2固态硬盘 (註: PCIe为电脑总线的一种规格、M.2为固态硬盘的一种传输接口, 而NVMe为非挥发性记忆体储存装置的一种标准。) *支援RAID 0,1。
PCH SLOT4 PCI-E 3.0 x1	PCIe 3.0 x1插槽, 支援PCIe 3.0 x1总线规格
SP1	内部喇叭/蜂鸣器
SYS_FAN1 ~ SYS_FAN3	系统风扇插座
USB 0/1, 2/3	前面板USB 2.0 接口
USB 4/5	背板USB 3.2 Gen 1 接口 (Type A)
USB 6	背板USB 3.2 Gen 2 接口 (Type A)
USB 7	背板USB3.2 Gen 2 接口 (Type C)
USB 8	背板USB 3.2 Gen 2x2 接口 (Type A)
USB 9	背板USB 3.2 Gen 2 接口 (Type C)
USB 10/11	前面板USB 3.2 Gen 1 插座
USB 12	前置USB 3.2 Gen 2 20针脚插座

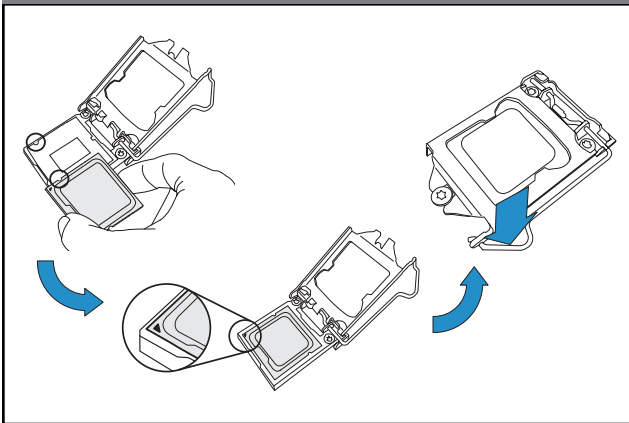
## 在线技术支持及下载

- 联络我们（技术支持信箱）：[www.supermicro.com](http://www.supermicro.com)（Email: [support@supermicro.com](mailto:support@supermicro.com)）
- 产品手册文件：<http://www.supermicro.com/support/manuals>
- 驱动程序及工具软件：<https://www.supermicro.com/wftp/driver/>
- 产品安全性须知：[http://www.supermicro.com/about/policies/safety\\_information.cfm](http://www.supermicro.com/about/policies/safety_information.cfm)

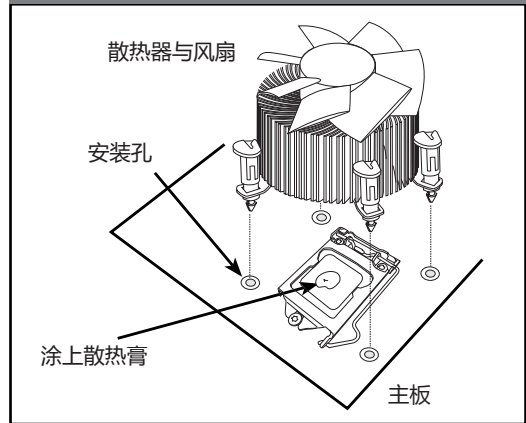
## LED指示灯

LED 指示灯		
LED	说明	灯号颜色/状态
BOOT LED	显示启动设备POST（开机自检）状态	正在执行启动设备POST程序：橘灯 完成启动设备POST程序：灯灭
CPU LED	显示CPU POST状态	正在执行CPU POST程序：黄灯 完成CPU POST程序：灯灭
DIMM LED	显示内存POST状态	正在执行内存POST程序：蓝灯 完成内存POST程序：灯灭
LED1	开启/S3模式（待机）指示灯	开机：绿灯 待机S3模式：绿灯闪烁
LED17	无线网络 POST状态	正在执行无线网络 POST程序：绿灯 完成无线网络 POST程序：灯灭
LED18	蓝牙 POST状态	正在执行蓝牙POST程序：绿灯 完成蓝牙POST程序：灯灭
LED2	PCIe M.2-M2指示灯	侦测到设备：绿灯恒亮 设备运行中：绿灯闪烁
LED3	PCIe M.2-M1指示灯	侦测到设备：绿灯恒亮 设备运行中：绿灯闪烁
LED4	BIOS POST代码指示灯	数位式读值
VGA LED	显示VGA显卡开机时POST状态	正在执行VGA显卡POST程序：绿灯 完成VGA显卡POST程序：灯灭

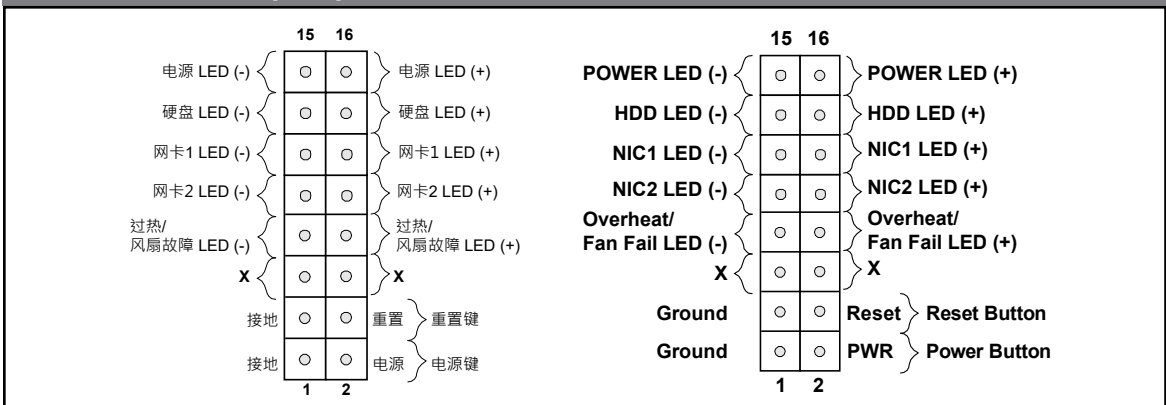
## 中央处理器安装方式



## 散热器安装方式



## 前控制面板配置 (JF1)



## 备注

- 快速参考指南中的图例仅供安装及操作说明使用，可能与实际产品外观不同。
- 欲知更多跳线器/端口/指示灯/内存/主板/中央处理器的安装相关信息，请参阅《SUPERMICRO C9Z490-PG/-PGW使用手册》第二章。

## 中央处理器和内存支持

本主板 C9Z490-PG/-PGW 支持单颗第十代Intel® Core™ i9/i7/i5/i3、Pentium®及Celeron®系列处理器。内存支持四组Unbuffered DIMM non- ECC DDR4，容量最高可达128GB，速度最高达2933MHz（根据使用的CPU规格）288支针脚的内存插槽。欲取得双通道效能，请安装成对相同型号与速度之内存。

- 註：1) 请安装使用本公司所认可的内存模块以达内存模块优化。更多的内存模块相关资讯，请参阅本公司网页 (<http://www.supermicro.com/products/motherboard>)。
- 2) 增加、移除和更换任何硬件组件前，请务必先拔掉电源线。待确认完成所有程序后，再重新连接电源线。
- 3) 安装CPU处理器时，请务必只使用第十代Intel Core i9/i7/i5/i3，Pentium，和Celeron (LGA1200)系列处理器。
- 4) 请确保冷却风扇工作正常，以避免系统过热损坏CPU和主板。

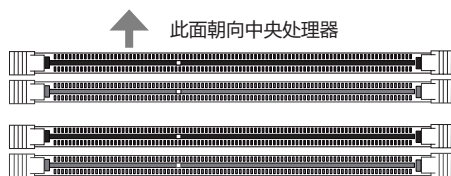
## DIMM (内存模块) 安装方式

DIMMA1 (黑色插槽)

DIMMA2 (灰色插槽)

DIMMB1 (黑色插槽)

DIMMB2 (灰色插槽)



### 请依照以下说明及表格安装内存模块：

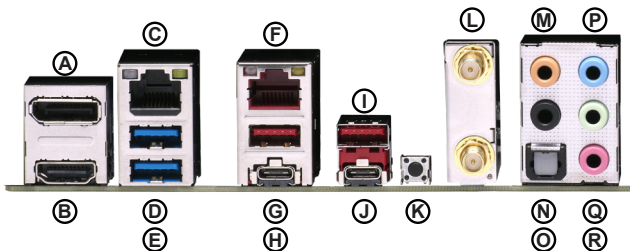
- 请遵循下列插槽编号顺序依序安装：DIMMA2（通道A、插槽2）、DIMMB2（通道B、插槽2）、DIMMA1（通道A、插槽1）、DIMMB1（通道B、插槽1）。
- 请使用相同型号（DDR4 DIMM）与速度之内存。若混合使用不同速度之内存，系统将依较低的内存速度执行。

建议插槽使用方式

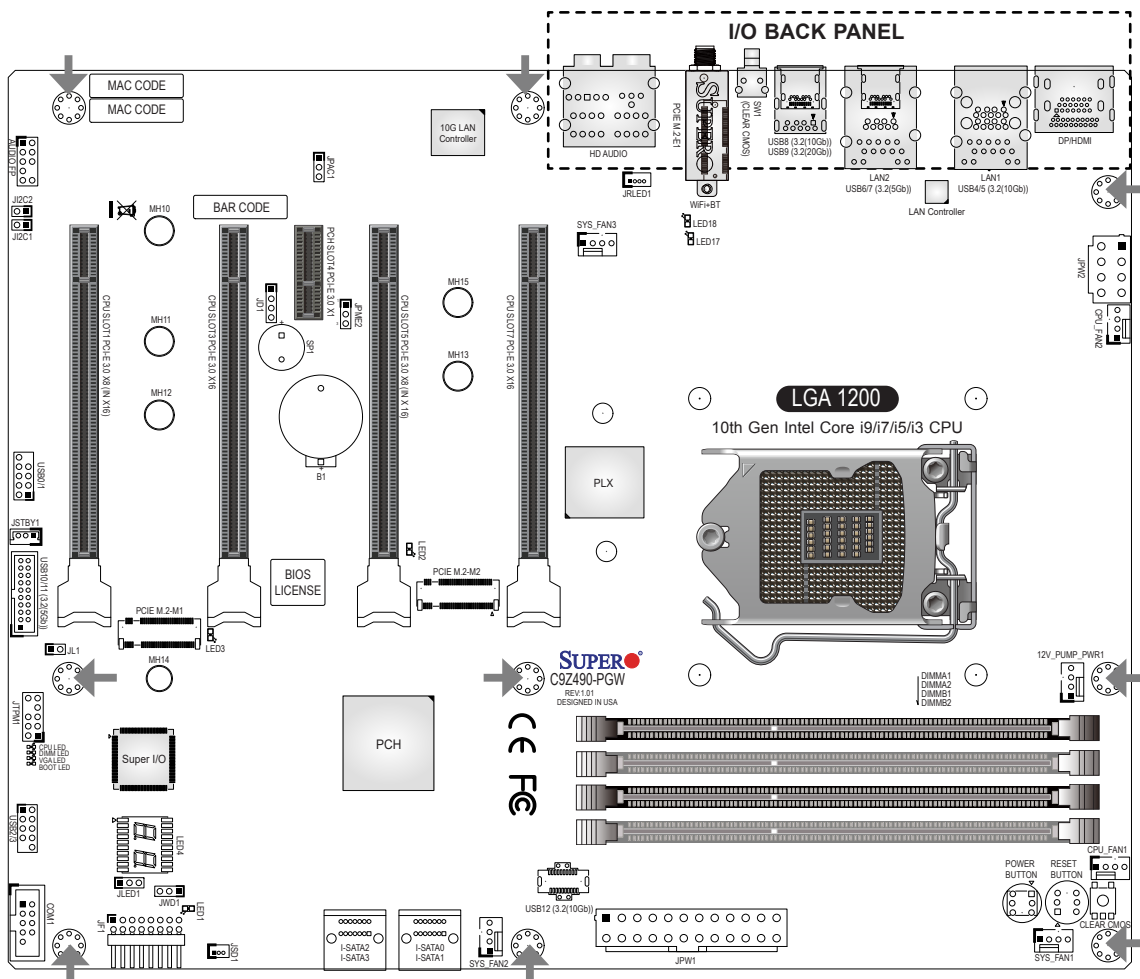
DIMMA1	DIMMB1	DIMMA2	DIMMB2	系统内存总容量
		2GB DIMM	2GB DIMM	4GB
2GB DIMM	2GB DIMM	2GB DIMM	2GB DIMM	8GB
		4GB DIMM	4GB DIMM	8GB
4GB DIMM	4GB DIMM	4GB DIMM	4GB DIMM	16GB
		8GB DIMM	8GB DIMM	16GB
8GB DIMM	8GB DIMM	8GB DIMM	8GB DIMM	32GB
		16GB DIMM	16GB DIMM	32GB
16GB DIMM	16GB DIMM	16GB DIMM	16GB DIMM	64GB
		32GB DIMM	32GB DIMM	64GB
32GB DIMM	32GB DIMM	32GB DIMM	32GB DIMM	128GB

## 背板输出/输入端口

A. DisplayPort 显示端口	G. USB6: USB 3.2 Gen 2 (Type A) 端口	M. 中央/低音声道输出
B. 高画质多媒体接口(HDMI) 端口	H. USB7: USB 3.2 Gen 2 (Type C) 端口	N. 环绕声道输出
C. RJ45 10GbE网络线端口 1	I. USB8: USB 3.2 Gen 2 (Type A) 端口	O. S/PDIF输出
D. USB4: USB 3.2 Gen 1 (Type A) 端口	J. USB9: USB 3.2 Gen 2x2 (Type C) 端口	P. 音效输入
E. USB5: USB 3.2 Gen 1 (Type A) 端口	K. SW1: CMOS组态资料清除	Q. 音效输出
F. RJ45 5GbE网络线端口 2	L. WiFi 6+BT 5.1 (仅 C9Z490-PGW)	R. 麦克风插孔



#### マザーボードの配置および機能



➔ = 取り付け穴

## パッケージ内容

- Supermicroマザーボード x 1
- SATAケーブル x 4
- I/Oシールド x 1
- S-コネクタ x 1
- クイックリファレンスガイド1
- ドライバーCD x 1
- アンテナ (C9Z490-PGW のみ) x2

## ジャンプおよびコネクタ

ジャンプ		
ジャンプ	説明	デフォルト
CMOSクリア	CMOSクリアスイッチ	押しボタンスイッチ
J12C1/J12C2	SMBからPCIeスロットへ	オープン(オフ)無効化
JPAC1	オーディオ有効/無効	ピン1~2(有効)
JPME2	Intelマニファクチャーモード	ピン1~2(通常)
JWD1	ウォッチドッグ機能有効	ピン1~2(RST)
電源ボタン	内部電源ボタン	押しボタンスイッチ
リセットボタン	オンボードシステムリセットボタン	押しボタンスイッチ
SW1	バックパネルCMOSクリアスイッチ	押しボタンスイッチ

コネクタ	
コネクタ	説明
12V_PUMP_PWR1	CPU水冷ポンプ用12V 4ピン電源コネクタ
AUDIO FP	フロントパネルオーディオヘッダー
B1	オンボードバッテリー
COM1	COM1ヘッダー
CPU_FAN1~CPU_FAN2	CPUファンヘッダー
CPUスロット1/CPUスロット5 PCI-E 3.0 x8 (1Nx16)	PCIe 3.0 x16スロット (PCIe 3.0 x8リンク) *CPUスロット1/スロット5 PCIe 3.0 x8 (1Nx16) スロットはPCIe x16リンクをCPUスロット3/スロット7 PCIe 3.0 x16スロットと共有します。したがって、1つのグラフィックスカードがCPUスロット1/スロット5 PCIe 3.0 x8 (1Nx16) スロットに取り付けられているとき、CPUスロット3/スロット7 PCIe 3.0 x16リンクは、PCIe 3.0 x8リンクに変更されます。
CPUスロット3/CPUスロット7 PCI-E 3.0 x16	PCIe 3.0 x16スロット (PCIe 3.0 x16リンク) *最大限の性能を実現するために、常に、1つのグラフィックスカードをCPUスロット3/スロット7 PCIe 3.0 x16スロットに最初に取り付けてください。
DP/HDMI	バックパネルDisplayPort/ハイディフィニションマルチメディアインターフェイス
HD AUDIO	ハイディフィニションオーディオポート
I-SATA0~3	(Intel Z490) シリアルATA (SATA 3.0) ポート0~3 (6Gb/秒)
JD1	スピーカー/ブザー (ピン1~4: 外付けスピーカー、ピン 3~4: ブザー)
JF1	フロントコントロールパネルヘッダー *接続するときは、Sコネクタのピン表示に従ってJF1にSコネクタを取り付けてください。
JL1	筐体侵入ヘッダー
JLED1	電源LEDインジケータヘッダー
JPW1	24ピンATX主電源コネクタ(必須)
JPW2	+12V 8ピンCPU電源コネクタ(必須)
JRLED1	I/Oカバー内の白色ライトLEDボード用4ピンコネクタ(事前取り付け済み)
JSD1	SATA DOM (ディスクオンモジュール) 電源コネクタ
JSTBY1	スタンバイ パワーヘッダー
JTPM1	トラステッドプラットフォームモジュール (TPM) /ポート80ヘッダー (TPM2.0のみ対応)
LAN1/LAN2	RJ45 10GbE/5GbE LANポート
PCIE M.2-E1	WiFi 6+BT 5.1 (C9Z490-PGWの場合のみ事前取り付け済み)
PCIE M.2-M1/M.2-M2	PCIe M.2 Mキーソケット、高速 NVMe SSD用小型フォームファクターデバイスおよび他のポータブルデバイス * RAID 0.1をサポートします。
PCHスロット4 PCI-E 3.0 x1	PCIe 3.0 x1スロット (PCIe 3.0 x1リンク)
SP1	内部スピーカー/ブザー
SYS_FAN1~SYS_FAN3	システムファンヘッダー
USB 0/1、2/3	フロントパネルアクセス可能USB 2.0ヘッダー
USB 4/5	バックパネルUSB 3.2 Gen 1ポート(タイプA)
USB 6	バックパネルUSB 3.2 Gen 2ポート(タイプA)
USB 7	バックパネルUSB 3.2 Gen 2ポート(タイプC)
USB 8	バックパネルUSB 3.2 Gen 2x2ポート(タイプA)
USB 9	バックパネルUSB 3.2 Gen 2ポート(タイプC)
USB 10/11	フロントパネルアクセス式USB 3.2 Gen 1ヘッダー
USB 12	フロントパネルアクセス式USB 3.2 Gen 2 20ピンコネクタ

## お問い合わせ先

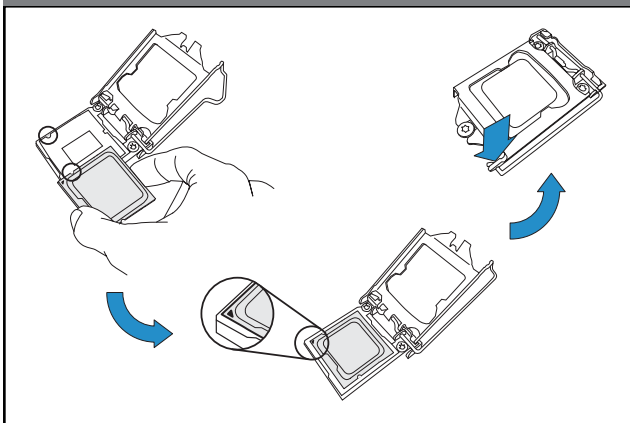
- [www.supermicro.com](http://www.supermicro.com) (電子メール: [support@supermicro.com](mailto:support@supermicro.com))
- マニュアル: <http://www.supermicro.com/support/manuals>
- ドライバーおよびユーティリティ: <https://www.supermicro.com/wftp/driver/>
- 安全性: [http://www.supermicro.com/about/policies/safety\\_information.cfm](http://www.supermicro.com/about/policies/safety_information.cfm)

## LEDインジケータ

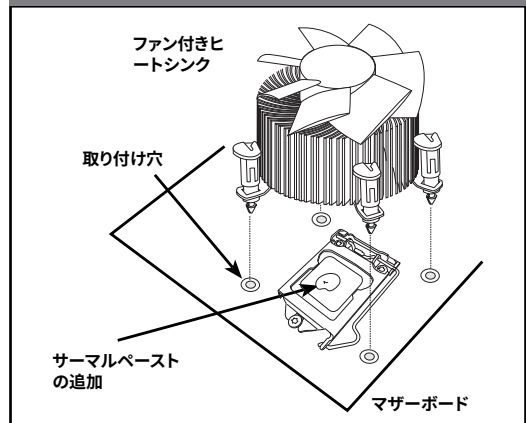
### LEDインジケータ

LED	説明	色/状態
ブートLED	ブート可能デバイスPOST (パワーオン・セルフテスト) 状態	ブート可能デバイスPOST: オレンジ色点灯 ブート可能デバイスPOST完了: 消灯
CPU LED	CPU POST (パワーオン・セルフテスト) 状態	CPU POST: 黄色点灯 CPU POST完了: 消灯
DIMM LED	DIMM POST (パワーオン・セルフテスト) 状態	DIMM POST: 青色点灯 DIMM POST完了: 消灯
LED1	基板上的電源LED S3 (RAMにサスペンド) LED	電源オン: 緑色点灯 S3: 緑色点滅
LED2	PCIe M.2-M2コネクタLED	PCIeデバイス検知済み: 緑色点灯 アクティビティ: 緑色点滅
LED3	PCIe M.2-M1コネクタLED	PCIeデバイス検知済み: 緑色点灯 アクティビティ: 緑色点滅
LED4	BIOS POSTコードLED	デジタル表示
LED17	WLAN POST (電源オンセルフテスト) のステータス	WLAN POST: 緑色点灯 WLAN POST完了: 消灯
LED18	Bluetooth電源オンPOST (電源オンセルフテスト) のステータス	BluetoothデバイスPOST: 緑色点灯 BluetoothデバイスPOST完了: 消灯
VGA LED	オンボード VGA POST (パワーオン・セルフテスト) 状態	基板VGA POST: 緑色点灯 オンボードVGA POST完了: 消灯

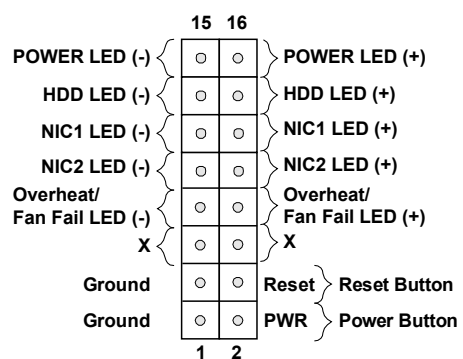
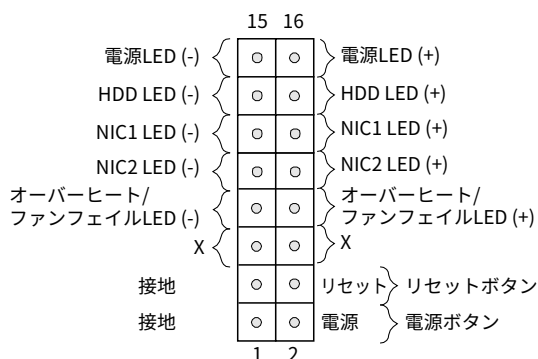
## CPUの設置



## ヒートシンクの設置



## フロントコントロールパネル (JF1)






## 注

- このクイックリファレンスガイドに掲載される図は、説明のみを目的としています。ご利用のコンポーネントは、このガイドに掲載される図とまったく同じではない場合があります。
- ジャンパ、コネクタ、LEDインジケータ、対応メモリ、およびCPU/マザーボードの設置方法に関する詳細については、ユーザーマニュアルの第2章を参照してください。

## CPUおよびメモリのサポート

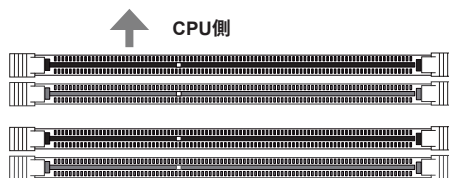
C9Z490-PG-/PGWは、第10世代Intel® Core™ i9/i7/i5/i3、Pentium®、Celeron®シリーズプロセッサ-x1基、288ピンメモリスロットx4基で、最大128GBのアンバッファード非ECC UDIMM、最大2933MHzの速度（CPU による）をサポートします。これらのDIMMスロットに同じタイプとサイズの一組のメモリモジュールを取り付けると、メモリがインターリーブされ、メモリのパフォーマンスが向上します。

-  注: 1) メモリを最適化するために、Supernmicroにより検証されたDIMMモジュールのみを使用してください。メモリに関する最新情報については、当社のWebサイト (<http://www.supernmicro.com/products/motherboard>) を参照してください。
- 電源コードは必ず一番最後に繋げるようにして、常にハードウェアコンポーネントを追加、取り外し、または交換する前に外すようにしてください。
  - 起動するために、第10世代Intel Core i9/i7/i5/i3、Pentium、Celeronシリーズプロセッサ（LGA1200）のみを使用してください。それ以外の場合、システムは起動しません。
  - 過熱により、CPUおよびマザーボードが重大に損傷する可能性があります。CPUを過熱から保護するために、冷却ファンが正常に動作していることを確認してください。

### DIMMメモリの取り付け

DIMMA1 (黒色スロット)  
DIMMA2 (灰色スロット)

DIMMB1 (黒色スロット)  
DIMMB2 (灰色スロット)



### メモリを挿入する際のガイドライン

メモリモジュールを取り付ける際、DIMMスロットは以下の順序で装着してください。DIMMA2、DIMMB2、その後、DIMMA1、DIMMB1。

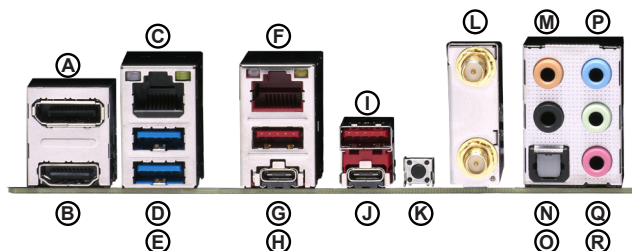
- 必ずサイズ、種類、速度が同じDDR4 DIMMモジュールを使用してください。
- 速度が異なるDIMMを組み合わせることは可能です。ただし、すべてのDIMMは、最も遅いDIMMの速度で動作します。

推奨される挿入例 (バランス型)

DIMMA1	DIMMB1	DIMMA2	DIMMB2	総システムメモリ
		2GB DIMM	2GB DIMM	4GB
2GB DIMM	2GB DIMM	2GB DIMM	2GB DIMM	8GB
		4GB DIMM	4GB DIMM	8GB
4GB DIMM	4GB DIMM	4GB DIMM	4GB DIMM	16GB
		8GB DIMM	8GB DIMM	16GB
8GB DIMM	8GB DIMM	8GB DIMM	8GB DIMM	32GB
		16GB DIMM	16GB DIMM	32GB
16GB DIMM	16GB DIMM	16GB DIMM	16GB DIMM	64GB
		32GB DIMM	32GB DIMM	64GB
32GB DIMM	32GB DIMM	32GB DIMM	32GB DIMM	128GB

## 背面パネルI/Oコネクタ

A. DisplayPort	G. USB6: USB 3.2 Gen 2 (タイプA)	M. センター/LFE出力
B. HDMIポート	H. USB7: USB 3.2 Gen 2 (タイプC)	N. サラウンド出力
C. イーサネットRJ45 10GbEポート1	I. USB8: USB 3.2 Gen 2 (タイプA)	O. S/PDIF出力
D. USB4: USB 3.2 Gen 1 (タイプA)	J. USB9: USB 3.2 Gen 2x2 (タイプC)	P. ライン入力
E. USB5: USB 3.2 Gen 1 (タイプA)	K. SW1: CMOSクリア	Q. ライン出力
F. イーサネットRJ45 5GbEポート2	L. WiFi 6+BT 5.1 (C9Z490-PGWのみ)	R. マイク入力







## 내용물

- Supermicro 마더보드 1개
- SATA 케이블 4개
- I/O 실드 1개
- S-커넥터 1개

- 빠른 참조 가이드 1개
- 드라이버 CD 1개
- 안테나 2개(C9Z490-PGW만 해당)

## 점퍼 및 커넥터

점퍼		
점퍼	설명	기본값
CMOS 지우기	CMOS 초기화 스위치	푸시 버튼 스위치
J12C1/J12C2	SMB와 PCIe 연결 슬롯	열림(꺼짐): 사용 안 함
JPAC1	오디오 사용/사용 안 함	핀 1-2(사용)
JPME2	Intel ME 제조 모드	핀 1-2(일반)
JWD1	Watch Dog 기능 활성화	핀 1-2(RST)
전원 버튼	내부 전원 버튼	푸시 버튼 스위치
리셋 버튼	시스템 리셋 버튼	푸시 버튼 스위치
SW1	후면 패널 스위치 CMOS 초기화	푸시 버튼 스위치

커넥터	
커넥터	설명
12V_PUMP_PWR1	CPU 수냉 펌프용 12V 4핀 전원 커넥터
AUDIO FP	전면 패널 오디오 헤더
B1	온보드 배터리
COM1	COM1 헤더
CPU_FAN1 ~ CPU_FAN2	CPU 팬 헤더
CPU SLOT1/CPU SLOT5 PCI-E 3.0 x8(IN x16)	PCIe 3.0 x16 슬롯(PCIe 3.0 x8 링크) *CPU Slot1/Slot5 PCIe 3.0 x8(IN x16) 슬롯은 PCIe x16 링크를 CPU Slot3/Slot7 PCIe 3.0 x16 슬롯과 공유하므로 CPU Slot3/Slot7 PCIe 3.0 x16 링크는 CPU Slot1/Slot5 PCIe 3.0 x8 (IN x16) 슬롯에 그래픽 카드가 설치되면 PCIe 3.0 x8 링크로 변경됩니다.
CPU SLOT3/CPU SLOT7 PCI-E 3.0 x16	PCIe 3.0x16 슬롯(PCIe 3.0 x16 링크) *성능을 극대화하려면 항상 그래픽 카드 하나를 먼저 CPU Slot3/Slot7 PCIe 3.0 x16 슬롯에 연결하십시오.
DP/HDMI	후면 패널 DisplayPort/HDMI
HD 오디오	HD 오디오 포트
I-SATA0~3	(Intel Z490) 시리얼 ATA(SATA 3.0) 포트 0~3(6Gb/초)
JD1	스피커/버저(핀 1~4: 외부 스피커, 핀 3~4: 버저)
JF1	전면 제어판 헤더 *꽃을 때는 S-커넥터에 인쇄된 표시와 JF1의 해당 핀을 맞추십시오.
JL1	세시 침입 헤더
JLED1	전원 LED 표시등 헤더
JPW1	24핀 ATX 주전원 커넥터(필수)
JPW2	+12V 8핀 CPU 전원 커넥터(필수)
JRLED1	I/O 커버 내부의 흰색 LED 보드(사전 설치됨)용 4핀 커넥터
JSD1	SATA DOM(디스크-온-모듈) 전원 커넥터
JSTBY1	대기 전원 헤더
JTPM1	TPM/포트 80 헤더 (TPM 2.0지원)
LAN1/LAN2	RJ45 10GbE/5GbE LAN 포트
PCIE M.2-E1	WiFi 6+BT 5.1 (사전 설치됨, C9Z490-PGW 전용)
PCIE M.2-M1/M.2-M2	PCIe M.2 M 키 소켓, 소형 폼 팩터 장치 및 고속 NVMe SSD용 기타 휴대용 장치 * RAID 0,1을 지원합니다.
PCH SLOT4 PCI-E 3.0 x1	PCIe 3.0 x1 슬롯 (PCIe 3.0 x1 링크)
SP1	내부 스피커/버저
SYS_FAN1 ~ SYS_FAN3	시스템 팬 헤더
USB 0/1, 2/3	액세스 가능한 전면 패널 USB 2.0 헤더
USB 4/5	후면 패널 USB 3.2 Gen 1 포트(타입 A)
USB 6	후면 패널 USB 3.2 Gen 2 포트(타입 A)
USB 7	후면 패널 USB 3.2 Gen 2 포트(타입 C)
USB 8	후면 패널 USB 3.2 Gen 2x2 포트(타입 A)
USB 9	후면 패널 USB 3.2 Gen 2 포트(타입 C)
USB 10/11	전면 패널 액세스 가능 USB 3.2 Gen 1 헤더
USB 12	전면 패널 액세스 가능 USB 3.2 Gen 2 20핀 커넥터

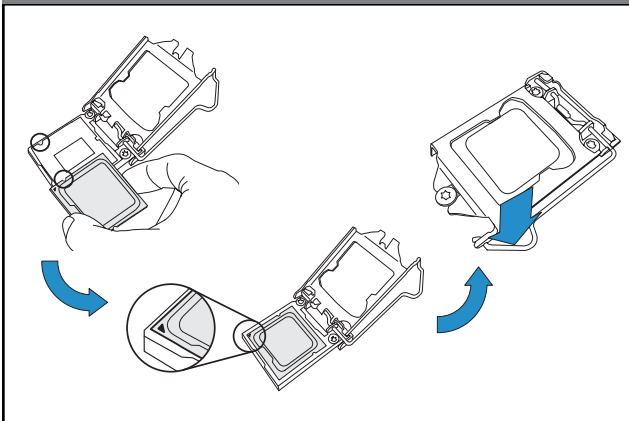
## 연락처 정보

- www.supermicro.com(이메일: support@supermicro.com)
- 사용 설명서: <http://www.supermicro.com/support/manuals>
- 드라이버 및 유틸리티: <https://www.supermicro.com/wftp/driver/>
- 안전: [http://www.supermicro.com/about/policies/safety\\_information.cfm](http://www.supermicro.com/about/policies/safety_information.cfm)

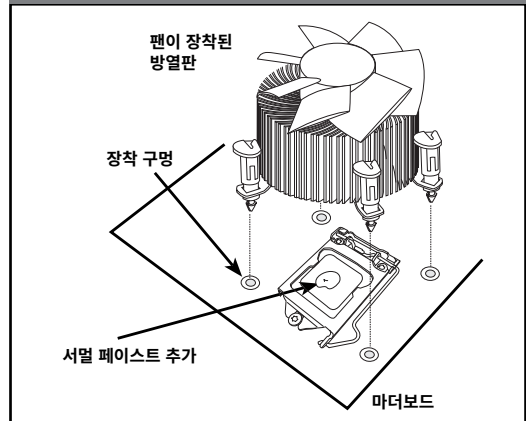
## LED 표시등

LED 표시등		
LED	설명	색/상태
BOOT LED	부팅 가능한 장치 POST(Power-On Self-Test) 상태	부팅 가능한 장치 POST: 주황색 켜짐 부팅 가능한 장치 POST 완료: 꺼짐
CPU LED	CPU POST(전원 공급 자체 테스트) 상태	CPU POST: 노란색 켜짐 CPU POST 완료: 꺼짐
DIMM LED	DIMM POST(전원 공급 자체 테스트) 상태	DIMM POST: 파란색 켜짐 DIMM POST 완료: 꺼짐
LED1	온보드 전원 LED S3 (RAM 절전 대기) LED	전원 켜짐: 녹색으로 켜짐 S3: 녹색으로 깜박거림
LED2	PCIe M.2-M2 커넥터 LED	PCIe 장치가 감지됨: 녹색 켜짐 활동: 녹색으로 깜박거림
LED3	PCIe M.2-M1 커넥터 LED	PCIe 장치가 감지됨: 녹색 켜짐 활동: 녹색으로 깜박거림
LED4	BIOS POST 코드 LED	디지털 판독
LED17	WLAN POST(Power-On Self-Test) 상태	WLAN POST: 녹색 켜짐 WLAN POST 완료: 꺼짐
LED18	Bluetooth 장치 POST(Power-On Self-Test) 상태	Bluetooth 장치 POST: 녹색 켜짐 Bluetooth 장치 POST 완료: 꺼짐
VGA LED	온보드 VGA POST(전원 공급 자체 테스트) 상태	온보드 VGA POST: 녹색 켜짐 온보드 VGA POST 완료: 꺼짐

## CPU 설치



## 방열판 설치



## 전면 제어판(JF1)

전원LED (-)	15	16	전원LED (+)	15	16	POWER LED (-)	15	16	POWER LED (+)
HDD LED (-)			HDD LED (+)			HDD LED (-)			HDD LED (+)
NIC1 LED (-)			NIC1 LED (+)			NIC1 LED (-)			NIC1 LED (+)
NIC2 LED (-)			NIC2 LED (+)			NIC2 LED (-)			NIC2 LED (+)
과열 / 팬 고장LED (-)			과열 / 팬 고장LED (+)			Overheat / Fan Fail LED (-)			Overheat / Fan Fail LED (+)
X			X			X			X
접지			리셋			Ground			Reset
접지			전력			Ground			PWR
	1	2		1	2		1	2	

리셋 버튼  
전원 버튼  
Reset Button  
Power Button

## 참고

- 이 간편 설명서의 그림들은 예시로만 사용됩니다. 실제 부품은 안내서에 표시된 도면과 동일하지 않을 수 있습니다.
- 점퍼, 커넥터, LED 표시등, 메모리 지원 및 CPU /메인보드 설치 지침에 대한 자세한 내용은 사용 설명서의 2장을 참조하십시오.

## CPU 및 메모리 지원

C9Z490-PG-PGW는 4개의 288핀 메모리 슬롯에서 최대 128GB의 버퍼링되지 않는 비ECC UDIMM(CPU에서 최대 속도2933MHz)인 단일 10세대 Intel® Core™ i9/i7/i5/i3, Pentium® 및 Celeron® 시리즈 프로세서를 지원합니다. DIMM 슬롯에 동일한 유형 및 크기의 메모리 모듈 쌍을 채우면 인터리브 메모리가 발생하여 메모리 성능이 향상됩니다.

- 참고:** 1) 메모리 최적화를 위해 반드시 Supermicro의 인증을 받은 DIMM 모듈을 사용해야 합니다. 최신 메모리 업데이트는 당사 웹사이트 <http://www.supermicro.com/products/motherboard>를 참조하십시오.
- 전원 코드는 반드시 마지막에 연결하고 하드웨어 구성품을 추가, 제거 또는 변경하기 전에는 반드시 전원 코드를 뽑아야 합니다.
  - 부팅하는 데 10세대 Intel Core i9/i7/i5/i3, Pentium 및 Celeron 시리즈 프로세서(LGA1200)만 사용하십시오. 그렇지 않으면 시스템이 켜지지 않습니다.
  - 과열은 CPU 및 메인보드에 심각한 손상을 줄 수 있습니다. 항상 냉각 팬 기능이 CPU를 과열로부터 제대로 방지하는지 확인하십시오.

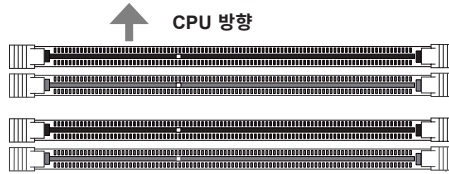
### DIMM 메모리 설치

DIMMA1(검정색 슬롯)

DIMMA2(회색 슬롯)

DIMMB1(검정색 슬롯)

DIMMB2(회색 슬롯)



### 메모리 채우기 가이드라인

메모리 모듈을 설치할 때 DIMM 슬롯을 다음 순서로 채워야 합니다. DIMMA2, DIMMB2, 그 다음에 DIMMA1, DIMMB1.

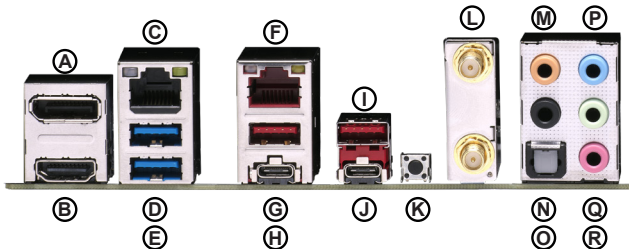
- 항상 동일한 크기, 유형, 속도의 DDR4 DIMM 모듈을 사용하십시오.
- 혼합된 DIMM 속도를 설치해도 됩니다. 그러나 모든 DIMM가 가장 느린 DIMM 속도로 작동하게 됩니다.

### 권장 채우기(균형)

DIMMA1	DIMMB1	DIMMA2	DIMMB2	총 시스템 메모리
		2GB DIMM	2GB DIMM	4GB
2GB DIMM	2GB DIMM	2GB DIMM	2GB DIMM	8GB
		4GB DIMM	4GB DIMM	8GB
4GB DIMM	4GB DIMM	4GB DIMM	4GB DIMM	16GB
		8GB DIMM	8GB DIMM	16GB
8GB DIMM	8GB DIMM	8GB DIMM	8GB DIMM	32GB
		16GB DIMM	16GB DIMM	32GB
16GB DIMM	16GB DIMM	16GB DIMM	16GB DIMM	64GB
		32GB DIMM	32GB DIMM	64GB
32GB DIMM	32GB DIMM	32GB DIMM	32GB DIMM	128GB

## 후면 패널 I/O 커넥터

A. DisplayPort	G. USB6: USB 3.2 Gen 2(타입 A)	M. 중앙/LFE 출력
B. HDMI 포트	H. USB7: USB 3.2 Gen 2(타입 C)	N. 서라운드 출력
C. 이더넷 RJ45 10GbE 포트 1	I. USB8: USB 3.2 Gen 2(타입 A)	O. S/PDIF 출력
D. USB4: USB 3.2 Gen 1(타입 A)	J. USB9: USB 3.2 Gen 2x2(타입 C)	P. 라인 입력
E. USB5: USB 3.2 Gen 1(타입 A)	K. SW1: CMOS 지우기	Q. 라인 출력
F. 이더넷 RJ45 5GbE 포트 2	L. WiFi 6+BT 5.1 (C9Z490-PGW만)	R. 마이크 입력





**SUPER**™

**Server Quality, Built for Gaming**

**QUICK REFERENCE GUIDE**

Revision 1.0b