



H3C S1200 Switch Series



Getting Started Guide

Copyright © 2018, New H3C Technologies Co., Ltd. and its licensors

All rights reserved

No part of this manual may be reproduced or transmitted in any form or by any means without prior written consent of New H3C Technologies Co., Ltd.

Trademarks

H3C, **H3C**, H3CS, H3CIE, H3CNE, Aolynk, , H³Care, , IRF, NetPilot, Netflow, SecEngine, SecPath, SecCenter, SecBlade, Comware, ITCMM and HUASAN are trademarks of New H3C Technologies Co., Ltd.

All other trademarks that may be mentioned in this manual are the property of their respective owners.

Notice

The information in this document is subject to change without notice. All contents in this document, including statements, information, and recommendations, are believed to be accurate, but they are presented without warranty of any kind, express or implied. H3C shall not be liable for technical or editorial errors or omissions contained herein.

Environmental protection

This product has been designed to comply with the environmental protection requirements. The storage, use, and disposal of this product must meet the applicable national laws and regulations.

Preface

H3C S1200 Switch Series Getting Started Guide describes the appearance, installation, power-on, technical specifications, and troubleshooting of the H3C S1200 Switch Series.

This preface includes the following topics about the documentation:

- [Audience](#).
- [Conventions](#).
- [Documentation feedback](#).

Audience

This documentation is intended for:

- Network planners.
- Field technical support and servicing engineers.
- Network administrators working with the S1200 switch series.

Conventions

The following information describes the conventions used in the documentation.





Command conventions

Convention	Description
Boldface	Bold text represents commands and keywords that you enter literally as shown.
<i>Italic</i>	<i>Italic</i> text represents arguments that you replace with actual values.
[]	Square brackets enclose syntax choices (keywords or arguments) that are optional.
{ x y ... }	Braces enclose a set of required syntax choices separated by vertical bars, from which you select one.
[x y ...]	Square brackets enclose a set of optional syntax choices separated by vertical bars, from which you select one or none.
{ x y ... } *	Asterisk marked braces enclose a set of required syntax choices separated by vertical bars, from which you select a minimum of one.
[x y ...] *	Asterisk marked square brackets enclose optional syntax choices separated by vertical bars, from which you select one choice, multiple choices, or none.
&<1-n>	The argument or keyword and argument combination before the ampersand (&) sign can be entered 1 to n times.
#	A line that starts with a pound (#) sign is comments.













GUI conventions

Convention	Description
Boldface	Window names, button names, field names, and menu items are in Boldface. For example, the New User window opens; click OK .
>	Multi-level menus are separated by angle brackets. For example, File > Create > Folder .

Symbols

Convention	Description
 WARNING!	An alert that calls attention to important information that if not understood or followed can result in personal injury.
 CAUTION:	An alert that calls attention to important information that if not understood or followed can result in data loss, data corruption, or damage to hardware or software.
 IMPORTANT:	An alert that calls attention to essential information.
NOTE:	An alert that contains additional or supplementary information.
 TIP:	An alert that provides helpful information.

Network topology icons

Convention	Description
	Represents a generic network device, such as a router, switch, or firewall.
	Represents a routing-capable device, such as a router or Layer 3 switch.
	Represents a generic switch, such as a Layer 2 or Layer 3 switch, or a router that supports Layer 2 forwarding and other Layer 2 features.
	Represents an access controller, a unified wired-WLAN module, or the access controller engine on a unified wired-WLAN switch.
	Represents an access point.
	Represents a wireless terminator unit.
	Represents a wireless terminator.
	Represents a mesh access point.
	Represents omnidirectional signals.
	Represents directional signals.
	Represents a security product, such as a firewall, UTM, multiservice security gateway, or load balancing device.
	Represents a security module, such as a firewall, load balancing, NetStream, SSL VPN, IPS, or ACG module.

Examples provided in this document

Examples in this document might use devices that differ from your device in hardware model, configuration, or software version. It is normal that the port numbers, sample output, screenshots, and other information in the examples differ from what you have on your device.

Documentation feedback

You can e-mail your comments about product documentation to info@h3c.com.

We appreciate your comments.

Contents

Preparing for installation	1
Safety recommendations	1
Examining the installation site	1
Temperature/humidity	2
Cleanliness	2
EMI	2
Installing the switch	4
Rack mounting	4
Horizontal surface mounting	6
Wall mounting	6
Under-table mounting	8
Connecting cables	9
Connecting network cable	9
Installing the SFP/SFP+ transceiver module and optical fibers	9
Connecting the AC power cord	10
Connecting the power adapter	10
Verifying the installation	11
Appendix A Chassis views and technical specifications	12
Chassis views	12
S1205	12
S1205-PWR	12
S1208	13
S1208-PWR	13
S1216	14
S1224	14
S1224F	15
S1224P-X	15
S1224-PWR	16
Technical specifications	16
Chassis dimensions and weights	16
Ports and interface card slots	17
Environmental specifications	17
Power specifications	17
AC input voltage specifications	17
DC input voltage specifications	18
Power consumption specifications for non-PoE switches	18
Power consumption specifications for PoE switches	18
Appendix B LEDs	19
Power LED	19
Copper port LEDs	19
Fiber port LEDs	20
Appendix C Troubleshooting	21
Index	22

Preparing for installation

The H3C S1200 Switch Series includes models listed in [Table 1](#).

Table 1 H3C S1200 Switch Series models

Series	Models	Alias
H3C S1200 switch series	H3C S1205 Switch	S1205
	H3C S1208 Switch	S1208
	H3C S1216 Switch	S1216
	H3C S1224 Switch	S1224
	H3C S1224F Switch	S1224F
	H3C S1224P-X Switch	S1224P-X
	H3C S1205-PWR Switch	S1205-PWR
	H3C S1208-PWR Switch	S1208-PWR
	H3C S1224-PWR Switch	S1224-PWR

Safety recommendations

To avoid any equipment damage or bodily injury, read the following safety recommendations before installation. The recommendations do not cover every possible hazardous condition.

- To avoid damage to the electrolytic capacitor in the switch, do not store the switch without power for more than one year.
- Before cleaning the switch, remove all power cords from the switch. Do not clean the switch with a wet cloth or liquid.
- Do not place the switch near water or in a damp environment. Prevent water or moisture from entering the switch chassis.
- Do not place the switch on an unstable case or desk. The switch might be severely damaged in case of a fall.
- Ensure good ventilation of the equipment room and keep the air inlet and outlet vents of the switch free of obstruction.
- Make sure the operating voltage is in the required range.
- To avoid electrical shocks, do not open the chassis while the switch is operating or when the switch is just powered off.
- The accessories shipped with the switch, including but not limited to power cords, are intended only for the switch. Please do not use them for other products.

Examining the installation site

The switches must be used indoors. You can mount your switch in a rack, on a horizontal surface, on a wall, or under a table. Make sure the following requirements are met:

- A minimum of 5 cm (1.97 in) of clearance is reserved at the air inlet and outlet vents for ventilation.
- The rack has a good ventilation system and the air inlet and outlet vents are not blocked when the switch is mounted under a table or on a horizontal surface.

- The rack, table, or horizontal surface is sturdy enough to support the switch and its accessories.
- The rack is reliably grounded.

To ensure correct operation and long service life of your switch, install it in an environment that meets the requirements described in the following subsections.

Temperature/humidity

Maintain temperature and humidity in the equipment room as described in "[Environmental specifications](#)."

- Lasting high relative humidity can cause poor insulation, electricity leakage, mechanical property change of materials, and metal corrosion.
- Lasting low relative humidity can cause washer contraction and ESD and cause problems including loose mounting screws and circuit failure.
- High temperature can accelerate the aging of insulation materials and significantly lower the reliability and lifespan of the switch.

Cleanliness

Dust buildup on the chassis might result in electrostatic adsorption, which causes poor contact of metal components and contact points, especially when indoor relative humidity is low. In the worst case, electrostatic adsorption can cause communication failure.

Table 2 Dust concentration limit in the equipment room

Substance	Concentration limit (particles/m ³)
Dust	$\leq 3 \times 10^4$ (no visible dust on the tabletop over three days)
NOTE: Dust diameter $\geq 5 \mu\text{m}$	

The equipment room must also meet strict limits on salts, acids, and sulfides to eliminate corrosion and premature aging of components, as shown in [Table 3](#).

Table 3 Harmful gas limits in the equipment room

Gas	Maximum concentration (mg/m ³)
SO ₂	0.2
H ₂ S	0.006
NH ₃	0.05
Cl ₂	0.01

EMI

All electromagnetic interference (EMI) sources, from outside or inside of the switch and application system, adversely affect the switch in the following ways:

- A conduction pattern of capacitance coupling.
- Inductance coupling.
- Electromagnetic wave radiation.
- Common impedance (including the grounding system) coupling.

To prevent EMI, perform the following tasks:

- If AC power is used, use a single-phase three-wire power receptacle with protection earth (PE) to filter interference from the power grid.
- Keep the switch far away from radio transmitting stations, radar stations, and high-frequency devices.
- Use electromagnetic shielding, for example, shielded interface cables, when necessary.

Installing the switch

⚠ WARNING!

Before installing or moving the switch, remove the power cord.

You can install an H3C S1200 switch in a 19-inch rack, on a horizontal surface, on a wall, or under a table.

Rack mounting

1. Wear an ESD wrist strap and make sure it makes good skin contact and is reliably grounded.
2. Verify that the rack is securely grounded and is stable.
3. Select mounting brackets for the switch.
 - The S1216 switch uses Type-A mounting brackets, as shown in [Figure 1](#).
 - The S1224, S1224F, S1224P-X, and S1224-PWR switches use Type-B mounting brackets, as shown in [Figure 2](#).
 - The S1205, S1205-PWR, S1208, and S1208-PWR switches do not support rack mounting.
4. Attach the mounting brackets to both sides of the chassis with screws.

NOTE:

Mounting brackets are used only for securing the switch to the rack. A rack shelf on the rack is used to bear the switch weight.

Figure 1 Attaching Type-A mounting brackets to the switch

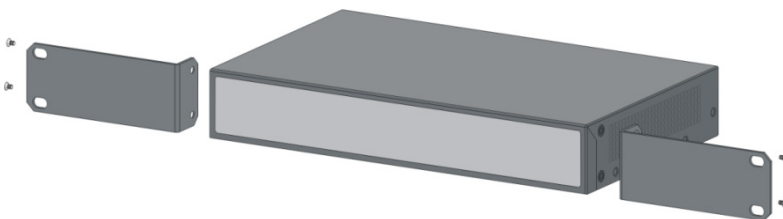
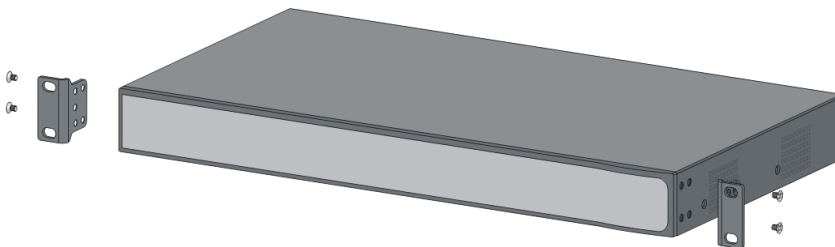


Figure 2 Attaching Type-B mounting brackets to the switch



5. Place the switch on a rack shelf in the rack. Push the switch in until the oval holes in the brackets align with the mounting holes in the rack posts.
6. Attach the mounting brackets to the rack posts with screws.

Figure 3 Attaching Type-A mounting brackets to the rack post

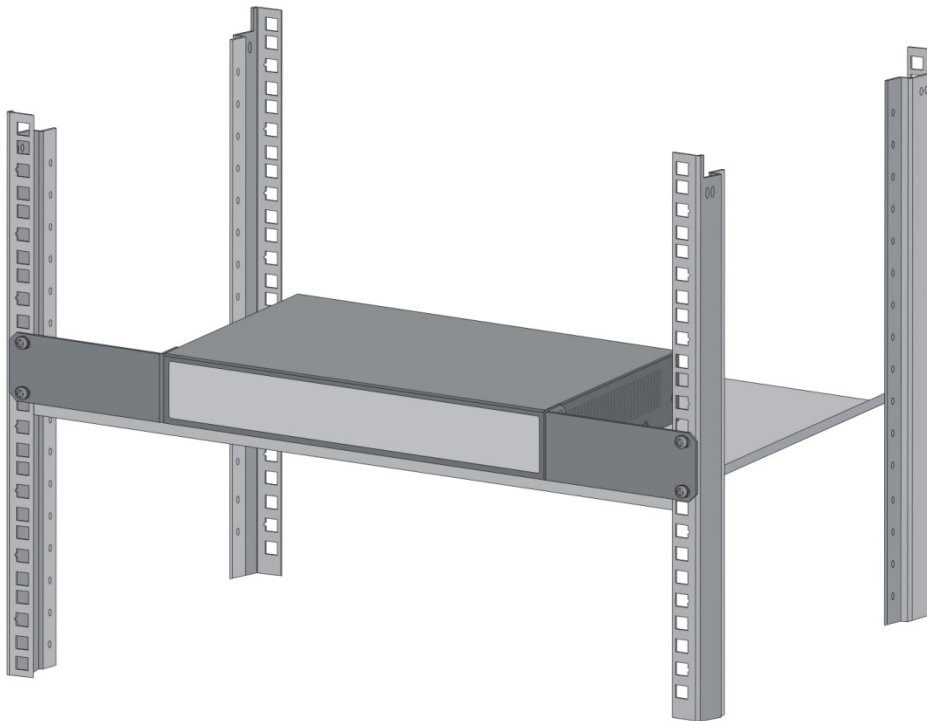
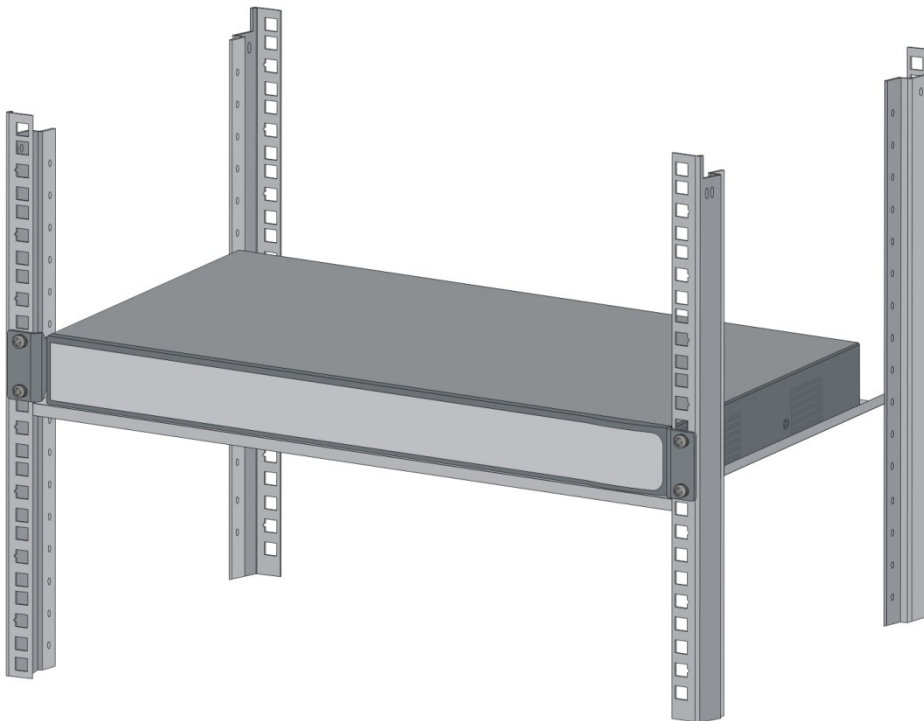


Figure 4 Attaching Type-B mounting brackets to the rack post



Horizontal surface mounting

⚠ IMPORTANT:

- Reserve a clearance of 10 cm (3.9 in) around the chassis for heat dissipation.
- Do not place heavy objects on the switch.

To mount the switch on a horizontal surface:

1. Verify that the horizontal surface is sturdy and reliably grounded.
2. Place the switch bottom up, and clean the round holes in the chassis bottom with a dry cloth.
3. Select rubber feet for the switch.
 - The S1205, S1205-PWR, S1208, S1208-PWR, and S1216 switches use Type-A rubber feet, as shown in [Figure 5](#).
 - The S1224, S1224F, S1224P-X, and S1224-PWR switches use Type-B rubber feet, as shown in [Figure 6](#).
4. Attach the rubber feet to the four round holes in the chassis bottom.
5. Place the switch upside up on the horizontal surface.

Figure 5 Attaching Type-A rubber feet

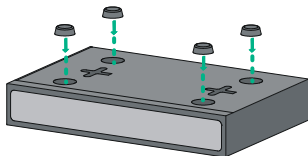
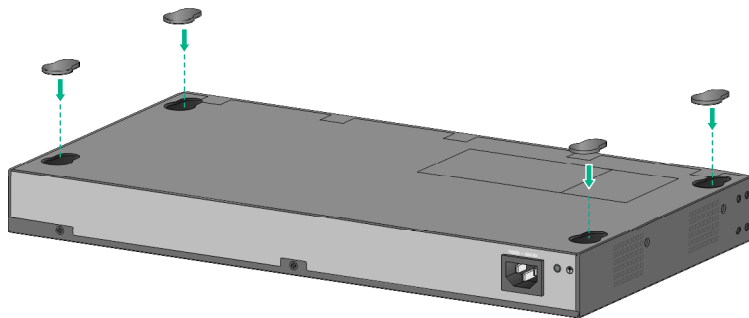


Figure 6 Attaching Type-B rubber feet

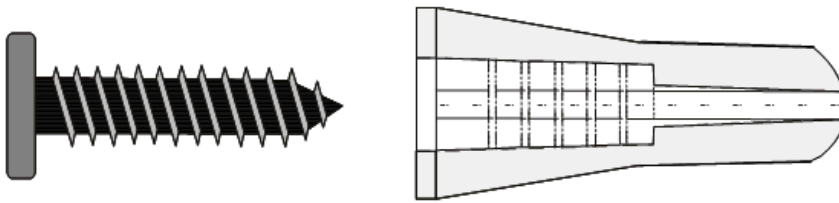


Wall mounting

Only the S1205, S1205-PWR, S1208, S1208-PWR, and S1216 switches can be installed on a wall. The type of screws used to mount the switch on the wall depends on the wall type. This section uses a concrete wall as an example.

The screws must be a minimum of 3 mm (0.12 in) and a maximum of 3.8 mm (0.15 in) in diameter. The screw head must be a minimum of 6 mm (0.24 in) and a maximum of 9.8 mm (0.59 in) in diameter.

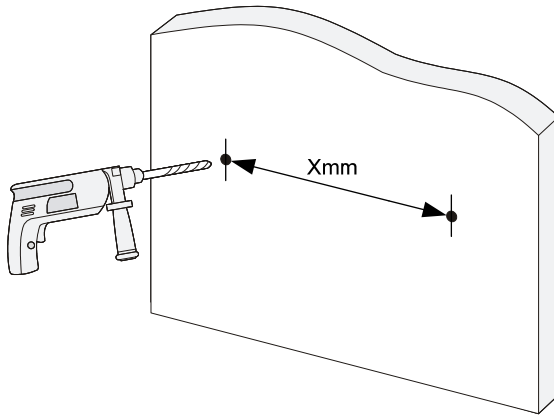
Figure 7 Wall-mounting anchor kit



To install the switch on a concrete wall:

1. Drill two holes at the same height, as shown in [Figure 8](#).

Figure 8 Hole spacing



The hole depth and diameter depend on the wall anchors and screws you use. Make sure you can push the anchors to their full depth in the holes.

Installation hole spacing varies by switch model, as shown in [Table 4](#).

Table 4 Installation hole spacing requirements

Product	Installation hole spacing
S1205	74 mm (2.91 in)
S1205-PWR	90 mm (3.54 in)
S1208	90 mm (3.54 in)
S1208-PWR	90 mm (3.54 in)
S1216	160 mm (6.30 in)

2. Insert one wall anchor into each hole until the anchors are flush with the wall surface.
3. Drive one screw into each wall anchor, and tighten the screws just enough to keep it secure in the wall anchor.

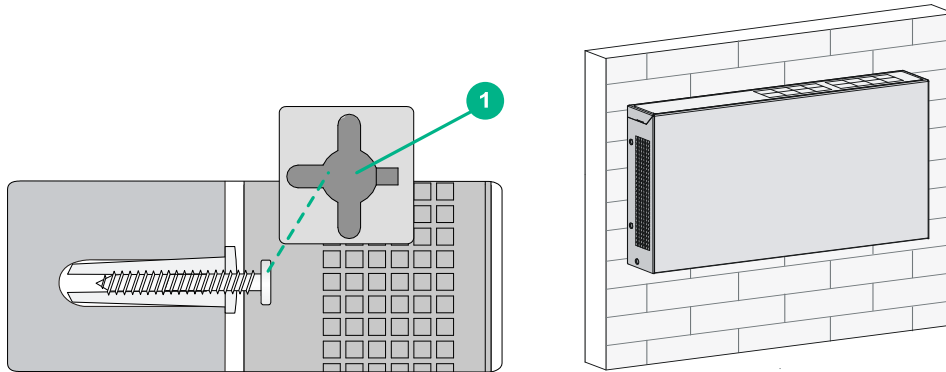
Leave a minimum clearance of 1.5 mm (0.06 in) between the base of the screw head and the wall anchor so the switch can hang on the screws securely.

Figure 9 Driving a screw into a wall anchor



4. Align the two mounting holes in the switch chassis bottom with the two screws on the wall and hang the switch.
Make sure the Ethernet ports are facing upwards or downwards and the chassis side panels are perpendicular to the ground.

Figure 10 Wall mounting



(1) Mounting hole in the switch chassis bottom

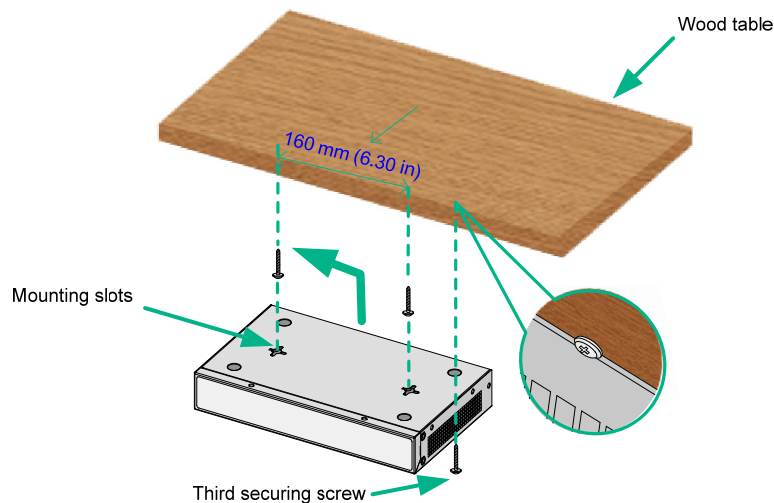
Under-table mounting

⚠ CAUTION:

- A network-attached switch with cables mounted upside down can be heavy. Verify that the table is sufficiently strong and of a material that can support the screws that hold the weight of the switch and the attached cables. Make sure the cables are protected and out of the way.
- Regularly inspect the installation of the switch to ensure that the switch remains securely anchored and unobstructed.

Only the S1205, S1205-PWR, S1208, S1208-PWR, and S1216 switches support under-table mounting. The wall mounting screws (provided) can be used when you mount the switch under a table. This section uses the S1216 as an example.

Figure 11 Under-table mounting



To mount the switch under a table:

1. Follow the instructions on wall mounting to determine the location of screw holes to be used for under-table mounting.
2. Align the two mounting holes in the switch chassis bottom with the two screws on the bottom of the table and hang the switch.
3. Use a third screw to prevent switch movement.

NOTE:

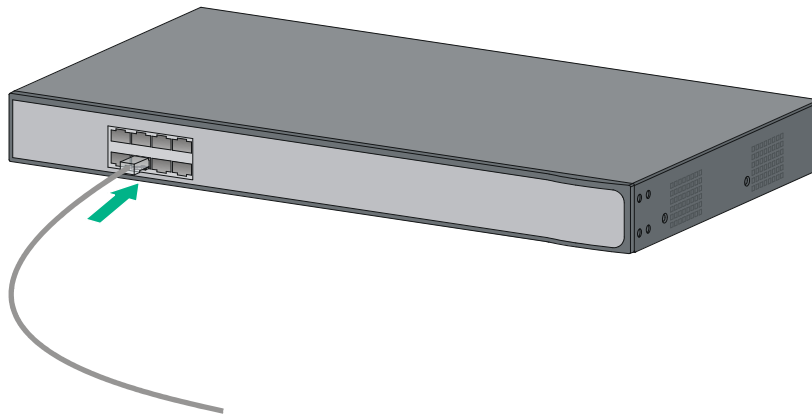
Installation hole spacing varies by switch model. For more information, see [Table 4](#).

Connecting cables

Connecting network cable

Use crossover cable or straight through cable to connect a PC or other network devices to the Ethernet port of the switch.

Figure 12 Connecting network cable



Installing the SFP/SFP+ transceiver module and optical fibers

CAUTION:

- Hold the SFP/SFP+ transceiver module by its two sides when you install or remove the module. Do not touch the golden plating of the module.
 - Remove the optical fiber, if any, from a transceiver module before installing it.
-

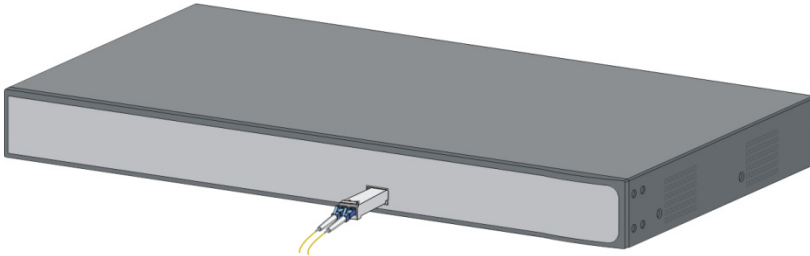
To install an SFP/SFP+ transceiver module and optical fibers:

1. Wear an ESD wrist strap and make sure it makes good skin contact and is reliably grounded.
2. Pivot the clasp of the module up. Holding the module, gently push the module into the slot until it has firm contact with the slot (when the top and bottom spring tabs catch in the slot).
3. Remove protective sleeves from optical fibers, and the dust plug from the transceiver module.
4. Connect the LC connectors of the optical fibers to the transceiver module.

NOTE:

- Keep the protective sleeves for future use.
 - The fiber ports on the S1224F Switch operate in autonegotiation mode. For the link between the switch and the peer device to operate correctly, verify that the fiber ports on the peer device also operate in autonegotiation mode.
 - For the link between the S1224P-X Switch and the peer device to operate correctly, set the fiber ports on both devices to operate at the same speed in full duplex mode.
-

Figure 13 Installing the SFP/SFP+ transceiver module and optical fibers



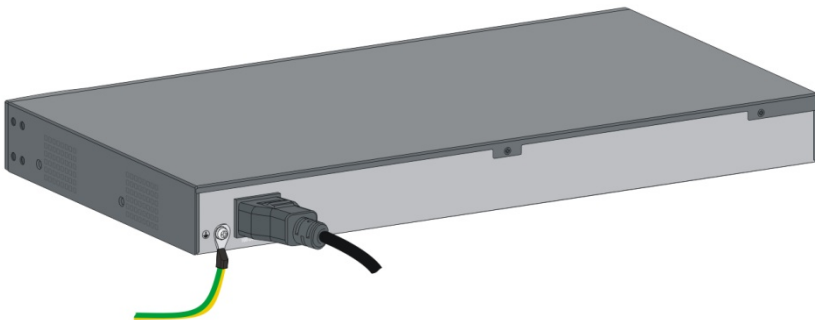
Connecting the AC power cord

Only the S1216, S1224, S1224F, S1224P-X, and S1224-PWR support an AC power supply.

To connect the AC power cord:

1. Wear an ESD wrist strap and make sure it makes good skin contact and is reliably grounded.
2. Connect one end of the grounding cable to the grounding screw on the rear panel, and connect the other end to the ground.
3. Make sure the correct power source is used.
4. Connect one end of the AC power cord to the AC power receptacle on the switch.
5. Connect the other end of the AC power cord to the AC power outlet.
6. Examine the power LED. If it is ON, the power connection is correct.

Figure 14 Connecting the AC power cord to the AC power receptacle



Connecting the power adapter

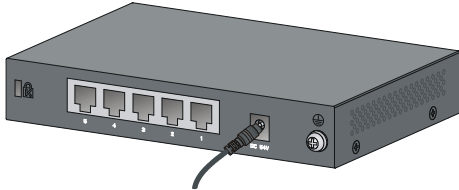
Only the S1205, S1205-PWR, S1208, and S1208-PWR support a power adapter. This section uses the S1205-PWR as an example.

To connect the power adapter:

1. Wear an ESD wrist strap and make sure it makes good skin contact and is reliably grounded.

2. Connect one end of the grounding cable to the grounding screw on the rear panel, and connect the other end to the ground.
3. Make sure the correct power source is used.
4. Connect one end of the power adapter to the DC power receptacle on the switch.
5. Connect the other end of the power adapter to the AC power supply.
6. Examine the power LED. If it is ON, the power connection is correct.

Figure 15 Connecting the power adapter



NOTE:

H3C recommends that you ground the S1205-PWR or S1208-PWR if the PD connecting to it is grounded. The grounding cables are user supplied.

Verifying the installation

After you complete the installation, verify the following items:

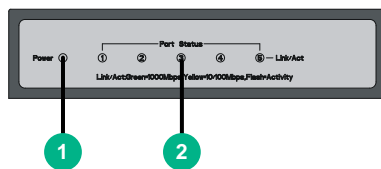
- There is enough space for heat dissipation around the switch.
- The rack, table, or horizontal surface is stable.
- The grounding cable is securely connected.
- The correct power source is used.
- The power cords are correctly connected.
- All the interface cables are cabled indoors. If any cable is routed outdoors, verify that the socket strip with lightning protection and lightning arresters for network ports have been correctly connected.

Appendix A Chassis views and technical specifications

Chassis views

S1205

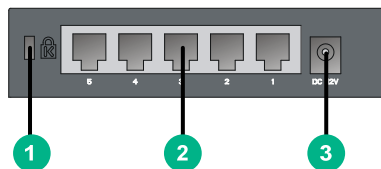
Figure 16 S1205 front panel



(1) Power LED

(2) Copper port LEDs

Figure 17 S1205 rear panel



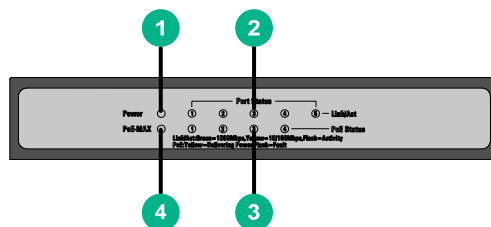
(1) Security slot

(2) 10/100/1000BASE-T copper ports

(3) DC Power receptacle

S1205-PWR

Figure 18 S1205-PWR front panel



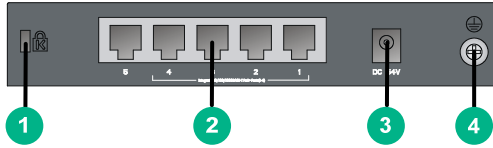
(1) Power LED

(2) Copper port LEDs

(3) PoE status LEDs

(4) PoE-MAX LED

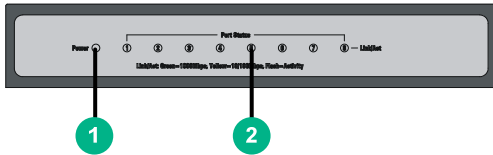
Figure 19 S1205-PWR rear panel



- | | |
|-------------------------|------------------------------------|
| (1) Security slot | (2) 10/100/1000BASE-T copper ports |
| (3) DC power receptacle | (4) Grounding screw |

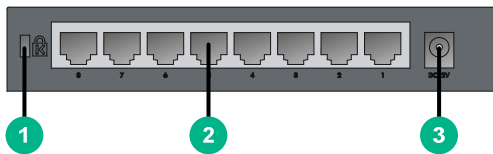
S1208

Figure 20 S1208 front panel



- | | |
|---------------|----------------------|
| (1) Power LED | (2) Copper port LEDs |
|---------------|----------------------|

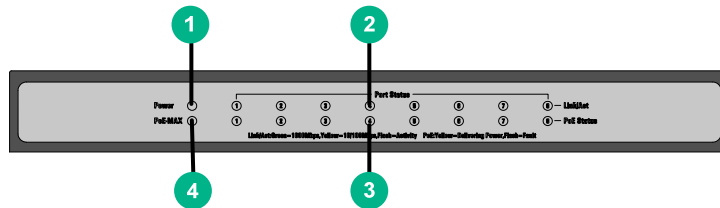
Figure 21 S1208 rear panel



- | | |
|-------------------------|------------------------------------|
| (1) Security slot | (2) 10/100/1000BASE-T copper ports |
| (3) DC power receptacle | |

S1208-PWR

Figure 22 S1208-PWR front panel



- | | |
|---------------------|----------------------|
| (1) Power LED | (2) Copper port LEDs |
| (3) PoE status LEDs | (4) PoE-MAX LED |

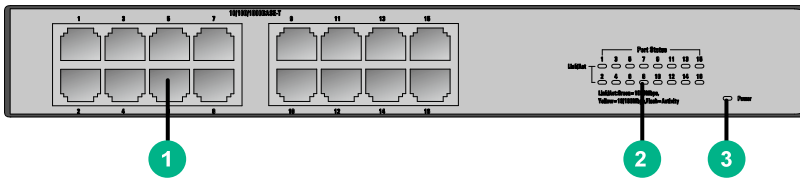
Figure 23 S1208-PWR rear panel



- | | |
|-------------------------|------------------------------------|
| (1) Security slot | (2) 10/100/1000BASE-T copper ports |
| (3) DC power receptacle | (4) Grounding screw |

S1216

Figure 24 S1216 front panel



- | | |
|------------------------------------|----------------------|
| (1) 10/100/1000BASE-T copper ports | (2) Copper port LEDs |
| (3) Power LED | |

Figure 25 S1216 rear panel



- | | |
|---------------------|-------------------------|
| (1) Grounding screw | (2) AC power receptacle |
|---------------------|-------------------------|

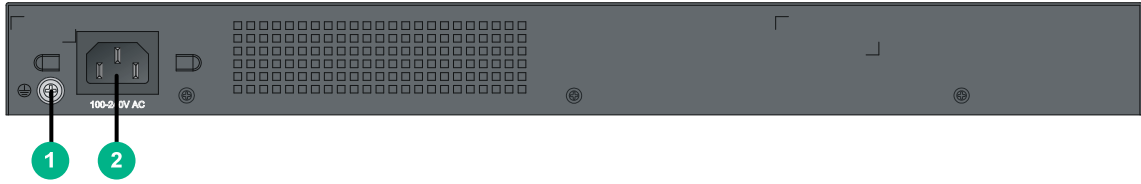
S1224

Figure 26 S1224 front panel



- | | |
|------------------------------------|----------------------|
| (1) 10/100/1000BASE-T copper ports | (2) Copper port LEDs |
| (3) Power LED | |

Figure 27 S1224 rear panel

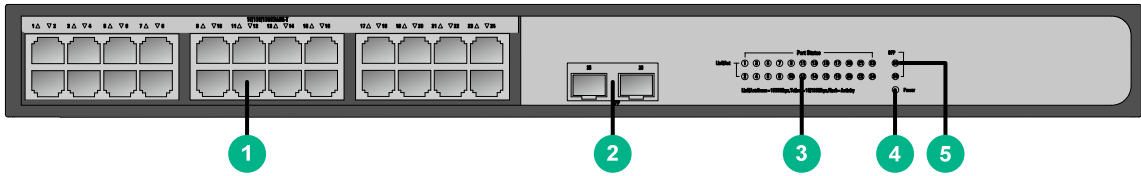


(1) Grounding screw

(2) AC power receptacle

S1224F

Figure 28 S1224F front panel



(1) 10/100/1000BASE-T copper ports

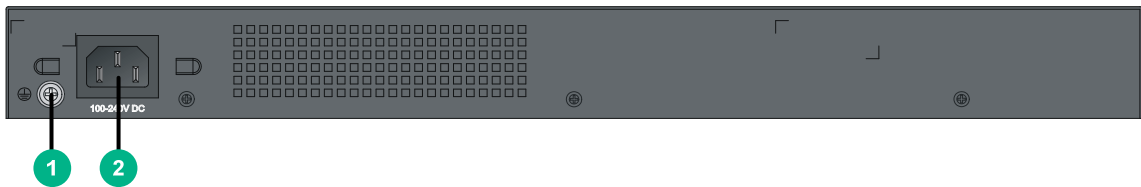
(2) 100/1000BASE-X SFP fiber ports

(3) Copper port LEDs

(4) Power LED

(5) Fiber port LEDs

Figure 29 S1224F rear panel

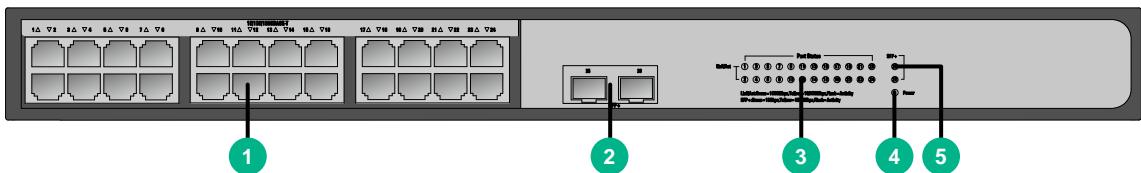


(1) Grounding screw

(2) AC power receptacle

S1224P-X

Figure 30 S1224P-X front panel



(1) 10/100/1000BASE-T copper ports

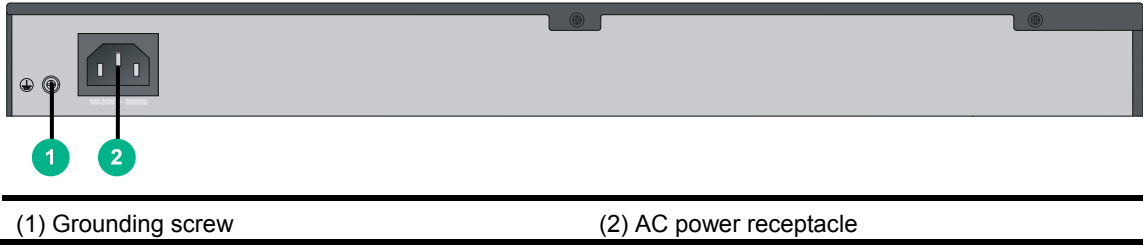
(2) 1000BASE-X SFP/10GBASE-SR/LR SFP+ ports

(3) Copper port LEDs

(4) Power LED

(5) Fiber port LEDs

Figure 31 S1224P-X rear panel



- (1) Grounding screw
- (2) AC power receptacle

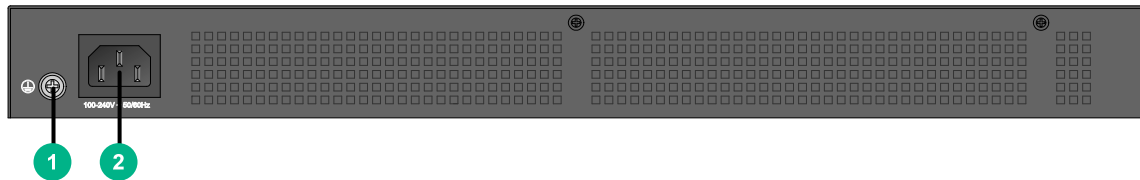
S1224-PWR

Figure 32 S1224-PWR front panel



- (1) 10/100/1000BASE-T copper ports (1 to 12 are PoE ports)
- (2) PoE status LEDs
- (3) PoE-MAX LED
- (4) Copper port LEDs
- (5) Power LED

Figure 33 S1224-PWR rear panel



- (1) Grounding screw
- (2) AC power receptacle

Technical specifications

Chassis dimensions and weights

Chassis	Dimensions (H x W x D)	Maximum weight
S1205	27 x 115 x 81 mm (1.06 x 4.52 x 3.18 in)	0.3 kg (0.66 lb)
S1205-PWR	27 x 158 x 105 mm (1.06 x 6.21 x 4.13 in)	0.5 kg (1.10 lb)
S1208	27 x 158 x 105 mm (1.06 x 6.21 x 4.13 in)	0.5 kg (1.10 lb)
S1208-PWR	27 x 235 x 105 mm (1.06 x 9.24 x 4.13 in)	0.7 kg (1.54 lb)
S1216	44 x 266 x 162 mm (1.73 x 10.47 x 6.38 in)	1.2 kg (2.65 lb)
S1224	44 x 440 x 173 mm (1.73 x 17.32 x 6.81 in)	2.2 kg (4.85 lb)
S1224F	44 x 440 x 173 mm (1.73 x 17.32 x 6.81 in)	2.2 kg (4.85 lb)

Chassis	Dimensions (H x W x D)	Maximum weight
S1224P-X	44 × 440 × 238 mm (1.73 × 17.32 × 9.37 in)	2.9 kg (6.39 lb)
S1224-PWR	44 × 440 × 238 mm (1.73 × 17.32 × 9.37 in)	3.3 kg (7.28 lb)

Ports and interface card slots

Chassis	10/100/1000BASE-T auto-sensing Ethernet ports	100/1000BASE-X SFP ports	1000BASE-X SFP/10GBASE-SR/LR SFP+
S1205	5	0	0
S1205-PWR	5 (1 to 4 are PoE ports), PoE+	0	0
S1208	8	0	0
S1208-PWR	8 (1 to 8 are PoE ports), PoE+	0	0
S1216	16	0	0
S1224	24	0	0
S1224F	24	2	0
S1224P-X	24	0	2
S1224-PWR	24 (1 to 12 are PoE ports), PoE+	0	0

Environmental specifications

Chassis	Operating temperature	Relative humidity
All chassis	0°C to 40°C (32°F to 104°F)	5% to 95%, noncondensing

Power specifications

AC input voltage specifications

Chassis	Rated voltage range
S1216	100 VAC to 240 VAC @ 50 Hz or 60 Hz
S1224	100 VAC to 240 VAC @ 50 Hz or 60 Hz
S1224F	100 VAC to 240 VAC @ 50 Hz or 60 Hz
S1224P-X	100 VAC to 240 VAC @ 50 Hz or 60 Hz
S1224-PWR	100 VAC to 240 VAC @ 50 Hz or 60 Hz

DC input voltage specifications

Chassis	Voltage
S1205	12V DC
S1205-PWR	54V DC
S1208	12V DC
S1208-PWR	54V DC

Power consumption specifications for non-PoE switches

Chassis	Min. power consumption	Max. power consumption
S1205	1 W	3 W
S1208	1 W	4.5 W
S1216	6.8 W	12 W
S1224	8 W	16 W
S1224F	7 W	18 W
S1224P-X	9.5 W	21 W

Power consumption specifications for PoE switches

Chassis	Max. PoE power per port	Max. PoE ports at full 30 W output	Total PoE output	Min. power consumption	Max. power consumption (including total PoE output)
S1205-PWR	30 W	1	32 W	5 W	40 W
S1208-PWR	30 W	2	64 W	5 W	80 W
S1224-PWR	30 W	4	124 W	10.5 W	160 W

Appendix B LEDs

Power LED

Table 5 Power LED description

Status	Description
Steady green	The switch is powered on and the power supply is operating correctly.
Flashing green	The switch is powered on and is performing the self-test. The switch is faulty if the LED flashes green for five seconds.
Off	The switch is not powered on or the power supply is faulty.

Copper port LEDs

Link/ACT LEDs

Table 6 Link/ACT LED description

Status	Description
Steady yellow	A 10/100-Mbps link is present.
Flashing yellow	The port is receiving or sending data at 10/100 Mbps.
Steady green	A 1000-Mbps link is present.
Flashing green	The port is receiving or sending data at 1000 Mbps.
Off	No link is present.

PoE LEDs

Table 7 PoE status LED description

Status	Description
Steady yellow	The port is supplying power correctly.
Flashing yellow	The port is supplying power incorrectly.
Off	The port is not supplying power.

Table 8 PoE-MAX LED description(S1205-PWR)

Status	Description
Steady yellow	The PoE power reaches the guard band (16 W to 32 W).
Off	The PoE power does not reach 16 W.

Table 9 PoE-MAX LED description(S1208-PWR)

Status	Description
Steady yellow	The PoE power reaches the guard band (48 W to 64 W).
Off	The PoE power does not reach 48 W.

Table 10 PoE-MAX LED description(S1224-PWR)

Status	Description
Steady yellow	The PoE power reaches the guard band (104 W to 124 W).
Off	The PoE power does not reach 104 W.

NOTE:

A port with a smaller port ID has a higher priority for getting power. When the PoE power reaches the guard band and a new port requires power, the switch compares the port IDs and performs one of the following actions:

- Does not supply power to the new port if the ID of the new port is greater than IDs of all existing ports.
- Stops power supply to existing ports whose IDs are greater than the ID of the new port, and supplies power to the new port.

Fiber port LEDs

Table 11 SFP port LED description

Status	Description
Steady yellow	A 100-Mbps link is present.
Flashing yellow	The port is receiving or sending data at 100 Mbps.
Steady green	A 1000-Mbps link is present.
Flashing green	The port is receiving or sending data at 1000 Mbps.
Off	No link is present.

Table 12 SFP+ port LED description

Status	Description
Steady yellow	A 1000-Mbps link is present.
Flashing yellow	The port is receiving or sending data at 1000 Mbps.
Steady green	A 10-Gbps link is present.
Flashing green	The port is receiving or sending data at 10 Gbps.
Off	No link is present.

Appendix C Troubleshooting

Table 13 describes the troubleshooting methods for common issues that you might encounter while using and managing the switch.

If a problem persists, contact H3C Support.

Table 13 Troubleshooting methods

Symptom	Troubleshooting method
Power LED off	<ol style="list-style-type: none">1. Verify that the correct power source is used and the power cords are correctly connected.2. Verify that the power source side provides power supply correctly.
LAN interface LED off	<ol style="list-style-type: none">1. Verify that the network cable is correctly connected to the network port of the switch.2. Insert the two ends of a network cable into two network ports of the switch. If the port LEDs are off, replace the network cable.

Index

A C D E F I P S T

A

AC input voltage specifications, [17](#)

C

Chassis dimensions and weights, [16](#)

Cleanliness, [2](#)

Connecting network cable, [9](#)

Connecting the AC power cord, [10](#)

Connecting the power adapter, [10](#)

Copper port LEDs, [19](#)

D

DC input voltage specifications, [18](#)

E

EMI, [2](#)

F

Fiber port LEDs, [20](#)

I

Installing the SFP/SFP+ transceiver module and optical fibers, [9](#)

P

Ports and interface card slots, [17](#)

Power consumption specifications for non-PoE switches, [18](#)

Power consumption specifications for PoE switches, [18](#)

Power LED, [19](#)

S

S1205, [12](#)

S1205-PWR, [12](#)

S1208, [13](#)

S1208-PWR, [13](#)

S1216, [14](#)

S1224, [14](#)

S1224F, [15](#)

S1224-PWR, [16](#)

S1224P-X, [15](#)

T

Temperature/humidity, [2](#)