

8019

Cardan bracket



- Suitable for all kinds of bullet camera or protective enclosure.
- Designed with aluminum alloy that makes it rust resistant.
- Capable of bearing up to 10 kg.
- Highly flexible mount adapter.
- Suitable for use with bullet cameras and protective enclosures.

Technical Specification

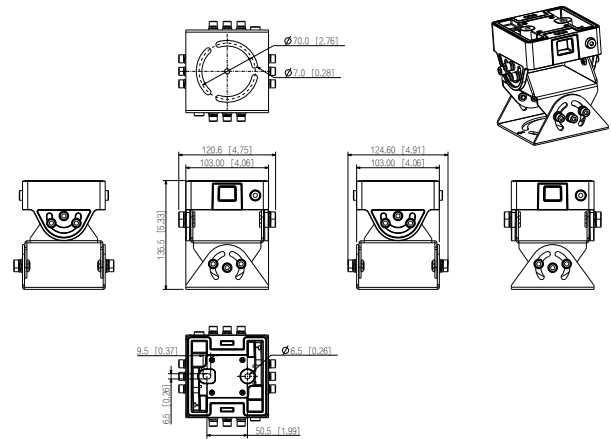
Basic

Color	Silver
-------	--------

General

Material	Aluminum alloy
Product Dimensions	204 mm × 193 mm × 191 mm (8.03" × 7.60" × 7.52")
Operating Temperature	-40 °C to +65 °C (-40 °F to +149 °F)
Storage Temperature	-40 °C to +65 °C (-40 °F to +149 °F)
Operating Humidity	0%–90% (non-condensing)
Storage Humidity	10%–90%
Weight	1.6 kg (3.53 lb)

Dimensions (mm [inch])



Installation

