

# UP SuperServer SYS-511R-M

1U Mainstream server with 4 hot-swap 3.5" SAS/SATA bays, 2 PCIe 5.0 slots and internal SAS slot



More details here

## Key Applications

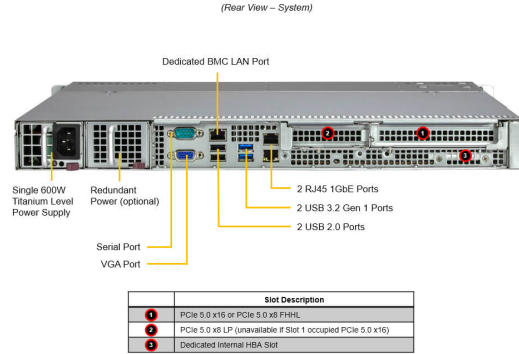
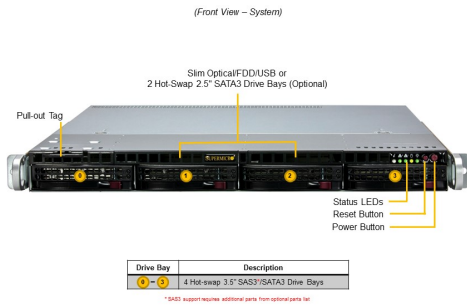
Web/Hosting Application, Email/Firewall/Print Server, General Purpose,

## Key Features

- Single Socket V0 (LGA-1700) supports Intel® Xeon® E-2400 series, Intel® Pentium® processors;
- 4 DIMMs; Up to 128GB of DDR5 ECC UDIMM memory with speeds of up to 4400MHz;
- 1 PCIe 5.0 x16 or 2 PCIe 5.0 x8 (FHHL & LP); 1 Dedicated Internal HBA slot;
- Intel® Ethernet Controller i210 2x 1GbE RJ45;
- Default single Titanium 600W Power Supply; Optional redundant power by adding 1x Power Supply Module;



<b>Form Factor</b>	1U Rackmount Enclosure: 437 x 43 x 507mm (17.2" x 1.7" x 19.98") Package: 609.6 x 215.9 x 749.3mm (24" x 8.5" x 29.5")
<b>Processor</b>	Single processor(s) Intel® Xeon® E-2400 series Processors and 12th Gen. Pentium® Processors Up to 8C/16T; Up to 24MB Cache
<b>System Memory</b>	Slot Count: 4 DIMM slots/2 Channels Max Memory (2DPC): Up to 128GB 4400MT/s ECC DDR5 UDIMM
<b>Drive Bays Configuration</b>	Default: Total 4 bays <ul style="list-style-type: none"> <li>• 4 front hot-swap 3.5" SAS*/SATA drive bays</li> </ul> (*SAS support may require additional storage controller and/or cables) M.2: 2 M.2 PCIe 4.0 x4 NVMe slots (M-key 2280/22110) Peripheral Bays: 2 2.5" bays (optional)
<b>Expansion Slots</b>	Default <ul style="list-style-type: none"> <li>• 1 PCIe 5.0 x8 FHHL slot</li> <li>• 1 PCIe 5.0 x8 LP slot</li> </ul> Option A <ul style="list-style-type: none"> <li>• 1 PCIe 5.0 x16 FHHL slot</li> </ul>
<b>On-Board Devices</b>	SATA: SATA (6Gbps) ; RAID 0/1/5/10 support Chipset: Intel® C266 Network Connectivity: 2 RJ45 1GbE with Intel® I210
<b>Input / Output</b>	LAN: 2 RJ45 1 GbE LAN ports 1 RJ45 1 GbE Dedicated BMC LAN port (IPMI shared on LAN port 1) USB: 4 USB 2.0 ports(header) 2 USB 3.2 Gen1 Type-A ports(rear) 2 USB 2.0 Type-A ports(rear) 2 USB 3.2 Gen1 ports(Header) 1 USB 3.2 Gen1 Type-A port(Header) Video: 1 VGA port Serial: 1 COM port(Rear) 1 COM port(Header) TPM: 1 TPM header



System Cooling	Fans: 2 AOC cooling Fan(s) (optional) 4 middle cooling PWM 40x40x28mm Fan(s)
Power Supply	1x 600W Redundant Titanium Level (96%) power supply
System BIOS	BIOS Type: AMI 32MB SPI Flash EEPROM
Management	SuperCloud Composer; Supermicro Server Manager (SSM); Supermicro Update Manager (SUM); Supermicro SuperDoctor® 5 (SD5); Super Diagnostics Offline (SDO); Supermicro Thin-Agent Service (TAS); SuperServer Automation Assistant (SAA) New!
PC Health Monitoring	CPU: Monitors for CPU Cores, Chipset Voltages, Memory 6 + 1 Phase-switching voltage regulator FAN: Fans with tachometer monitoring Status monitor for speed control Pulse Width Modulated (PWM) fan connectors Temperature: Monitoring for CPU and chassis environment Thermal Control for fan connectors
Dimensions and Weight	Weight: Gross Weight: 30.4 lbs (13.8 kg) Net Weight: 17.6 lbs (8 kg) Available Color: Black
Operating Environment	Operating Temperature: 10°C ~ 35°C (50°F ~ 95°F) Non-operating Temperature: -30°C to 60°C (-22°F to 140°F) Operating Relative Humidity: 8% to 80% (non-condensing) Non-operating Relative Humidity: 8% to 90% (non-condensing)
Motherboard	<a href="#"><u>Super X13SCH-SYS</u></a>
Chassis	CSE-813MF2TS-R0RCNBP