

# DHI-ITALF-300AG

All-in-one Illuminator



- Color temperature: 5800K±200K for xenon, 3500K for LED
- Trigger mode: Pulse width trigger/edge trigger
- Illumination coverage: 1 lane
- Illumination distance: 16 m–26 m (52.49 ft–85.30 ft)
- Protection grade: IP66

## System Overview

This all-in-one illuminator is a high-performance auxiliary light source for the intelligent traffic field. It integrates LED strobe, LED flash, xenon white light, and IR flash to reduce light pollution and provides ease of installation.

The illuminator is featured by: Lifespan of up to 10 million times with intelligent control and heat insulation design; brightness is adjustable according to the ambient brightness for reduced light pollution; auto switch from xenon white light to LED strobe in low illuminance.

## Functions

### Integrated Design

Integrates LED strobe, LED flash, xenon white light, and IR flash to reduce light pollution and provide ease of installation.

### Auto Adjustment

Built-in photosensitive components help automatically switch day/night mode according to ambient light.

### IR/White Light Flashing

Supports auto switch between IR flashing and white light flashing.

### Video Sync

LED strobe syncs with video detection of the camera for enhanced capture effect of license plates.

### Capture Sync

LED flashing or xenon flashing syncs with capture from the camera for enhanced quality of face snapshots and details.

### Adjustable Brightness

Brightness can be set on the web interface of the camera that the illuminator is connected to.

### Adjustable Pulse Width

Pulse width can be set (0 ms–6 ms) on the web interface of the camera that the illuminator is connected to.

### Adjustable Frequency

Frequency can be set (50Hz/60Hz/75Hz/90Hz/100Hz/120Hz) on the web interface of the camera that the illuminator is connected to.

## Short Recycle Time

Recycle time is less than 60 ms, meeting the time requirements of taking 2 snapshots consecutively.

## Trigger Mode

On-off trigger mode facilitates testing whether the illuminator runs normally.

## Statistics of Strobe

Statistics of strobe duration for easy calculation of illuminator lifespan.  
Statistics of Flashing Times  
Statistics of flashing times and trigger times for fast recognition of signal interference issues on site.

## Anti-interference

Supports pulse width trigger to ensure the normal operation and enhanced reliability of the illuminator.

## Blocking Interference Signals Triggered by False Detection

Supports blocking interference signals triggered by false detection: When the external triggering frequency is greater than the false detection limit (3 by default, that means 3 flashes are allowed in 500 ms, 4 flashes in 1 s, and 8 flashes in 3 s), the protection mode will be enabled, and the illuminator will not respond to next trigger signal until 10 s after the interference signal disappears.

## Fault Display

Supports displaying the status, such as fault or running normally, on the web interface of the camera that the illuminator is connected to. This facilitates remote management of the illuminator.

## Innovative Structure

Streamline design. Waterproof and dust-proof performance for enhanced protection level. Internal thermal dissipation design helps prevent the illuminator from overheated damage on account of high-frequency flash.

## Scene

The illuminator is primarily used for ANPR and E-police systems to provide lights for recognizing license plates (especially at night) and other vehicle attributes (such as vehicle models), and capturing traffic violations.

### Technical Specification

#### Basic

Illuminator Type	An all-in-one illuminator that integrates LED strobe, LED flash, xenon white light, and IR flash
Light Source	Visible light (wavelength 350 nm–780 nm) IR (cut-off wavelength 710 nm)
Color Temperature	Xenon: 5800K±200K LED: 3500K
Center Illuminance	LED: < 40 lx (illuminance at 20 m (65.62 ft)) Xenon: ≤4000 lx (white light)
Trigger Mode	Pulse width trigger/edge trigger
Spot Coverage	4 m (13.12 ft) (installation height: 6 m (19.69 ft), capture distance: 26 m (85.30 ft))
Illumination Distance	16 m–26 m (52.49 ft–85.30 ft)
Recycle Time	< 60 ms, meeting the time requirements of taking 2 snapshots consecutively by the camera

#### Xenon

Exposure	64 GN
Flash Duration	180 us–500 us
Flash Statistics	Supports statistics of flashing times and trigger times
Lifespan	≥ 10 million times

#### LED

Frequency	50Hz/60Hz/75Hz/90Hz/100Hz/120Hz
Illuminator Number	24 imported LED illuminators
Luminous Flux	1800 lm
Color Rendering Index (CRI)	79
Strobe Pulse Width	0 ms–3 ms
Strobe Delay	0 ms–4 ms
Flash Pulse Width	0 ms–4 ms
Flash Delay	0 ms–6 ms
Statistics of Strobe Duration	Yes
Beam Angle of LED Lens	10° × 10°

#### Function

Day/Night	Yes. Sensitivity levels 1–6 can be set
IR/White Light Switch	Yes
Cascading	Supports strobe cascading
Remote Fault Display	Supports remotely displaying the running or fault status of the illuminator on the web interface of camera (only Dahua cameras)
Brightness	Xenon: Brightness levels 1–16 can be set LED strobe: Brightness levels 1–20 can be set
Anti-glare	The LEDs are warm-light beads in a circular arrangement. Grating is designed to avoid glare of Xenon white light. Xenon IR flash is also supported to avoid glare during the night
Capture and Flash Synchronization	Yes

Video and Flash Synchronization	Yes
False Trigger Shielding	Yes
Anti-interference	Filters interference signal by detecting pulse width signals of fixed width

#### Port

I/O	1
Flash	1
Strobe Input	1
Strobe Output	1
RS-485	1

#### General

Power Supply	220V AC±10%
Power Consumption	Xenon: <65J/time, instantaneous power ≤ 5500 W (instantaneous current 25 A) LED: Strobe power ≤48 W, flash power ≤90 W
Operating Temperature	–40 °C to +70 °C (–40 °F to +158 °F)
Operating Humidity	10%–90% (non-condensation)
Protection Grade	IP66
Dimensions	377.9 mm × 352.0 mm × 352.0 mm (14.88" × 13.86" × 13.86") (L × W × H)
Net Weight	7.5 kg (16.53 lb)
Gross Weight	9 kg (19.84 lb)
Installation	Installed on pole by using the bracket

### Ordering Information

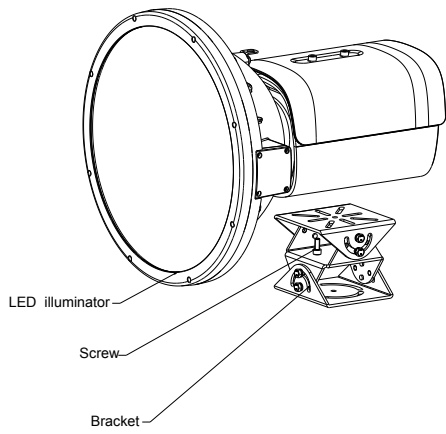
Type	Model	Description
Illuminator	DHI-ITALF-300AG	All-in-one Illuminator
Accessory	PFA162	Bracket

### Accessories



PFA162  
Bracket

Installation



Dimensions (mm[inch])

