

**CONTACT INFORMATION**

- Website: [www.supermicro.com](http://www.supermicro.com)
- General Information: [marketing@supermicro.com](mailto:marketing@supermicro.com)
- Technical Support: [support@supermicro.com](mailto:support@supermicro.com)
- Phone: +1 (408) 503-8000, Fax: +1 (408) 503-8008

**FOR YOUR SYSTEM TO WORK PROPERLY, PLEASE DOWNLOAD APPROPRIATE**

- DRIVERS/IMAGES/USER'S MANUAL FROM THE LINKS BELOW:**
- Manuals: <http://www.supermicro.com/support/manuals>
  - Drivers & Utilities: <https://www.supermicro.com/wdl/driver/>
  - Safety: [http://www.supermicro.com/about/policies/safety\\_information.cfm](http://www.supermicro.com/about/policies/safety_information.cfm)

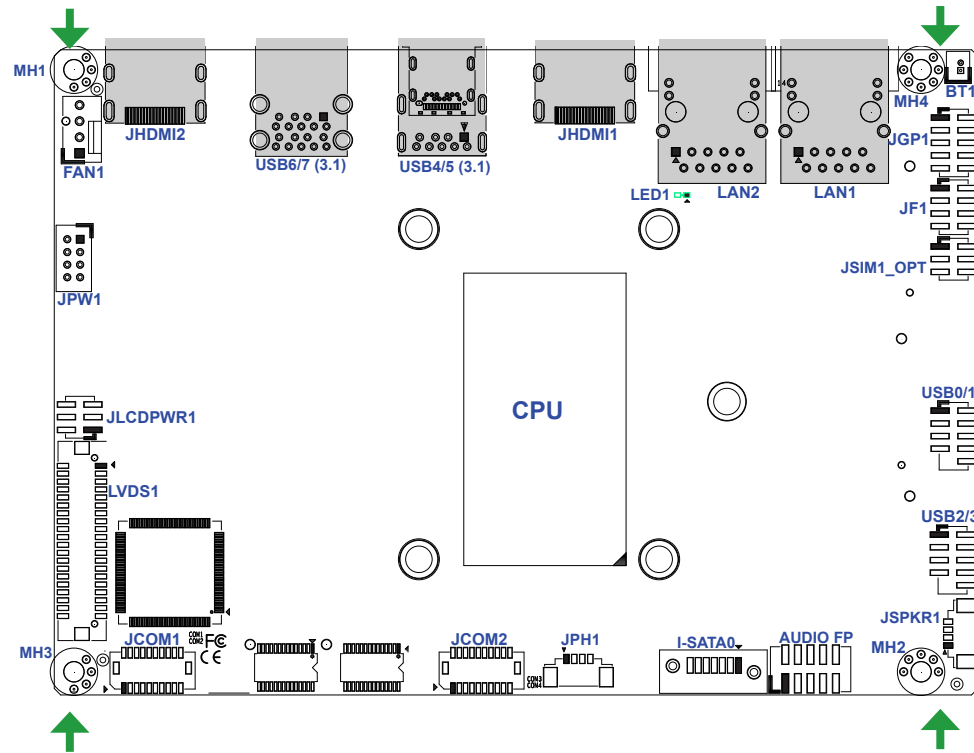
**PACKAGE CONTENTS**

- One Supermicro Motherboard with Passive Heatsink
- One SATA Data Cable
- One SATA Power Cable
- One USB 2.0 Cable
- One Audio Cable
- One COM Port Cable
- One Quick Reference Guide
- One DC IN Power Cable

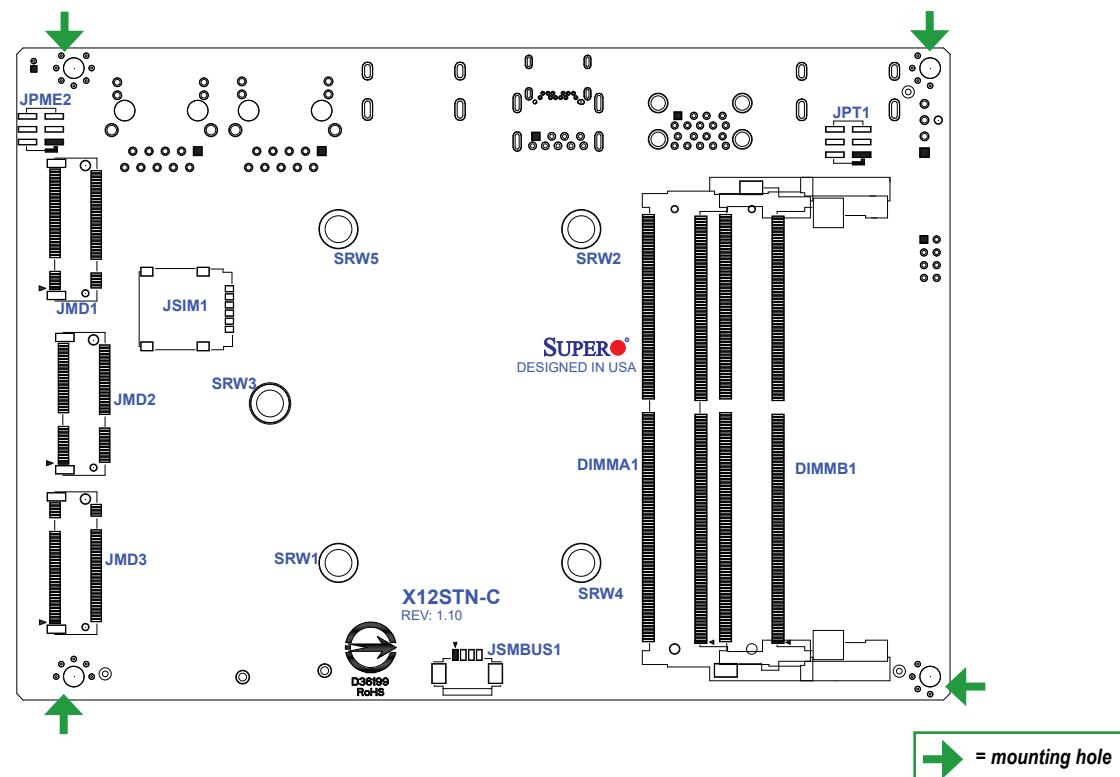


**Motherboard Layouts and Mechanical Drawings**

**Top Layout and Mechanical Drawing**



**Bottom Layout and Mechanical Drawing**



= mounting hole

**Jumpers, Connectors & LED Indicators**

**Jumpers**

Jumper	Description	Default Setting
JLCDPWR1	LVDS Panel Power Source Selection	Pin 1-3* (3.3V)
		Pin 3-5 (5V)
		Pin 3-4 (12V)
JPME2	CMOS	Pin 1-3* (Normal)
		Pin 3-5 (Clear CMOS)
JPME2	Manufacturing Mode	Pin 2-4 (Manufacturing Mode)
		Pin 4-6* (Normal)
JPT1	TPM	Pin 1-3* (Enable)
		Pin 3-5 (Disable)
JPT1	Force Power On	Pin 2-4* (Force power on)
		Pin 4-6 (Power button power on)
JSIM1_OPT	SIM Detect Option	Pin 2-4* (Normal)
		Pin 4-6 (Low Activity)

**LED Indicators**

Indicator	Description	Indicator Setting
LED1	Onboard Power LED	Green: System On
		Red: S5 or main power fail
		Off: System Off (Power cable not connected)

**Connectors**

Connector	Description
AUDIO FP	Front Panel Audio Header (Mic-In/Line-Out)
BT1	Battery Connector (To Clear CMOS, remove the battery, short pins 1-2 for 10 seconds and install the battery.)
FAN1	System Fan Header
I-SATA0	SATA 3.0 Port
JCOM1: COM1/COM2	COM Header (two RS232/RS422/RS485)
JCOM2: COM3/COM4	COM Header (two RS232 ports)
JF1	Front Control Panel Header (Power/HDD LED, Reset, Power button)
JGP1	8-bit General Purpose I/O Header
JHDMI1	Back Panel HDMI 2.0b Port
JHDMI2	Back Panel HDMI 1.4b Port
JMD1	M.2 Slot B-KEY 2280/2242/3042 (SATA 3.0 or PCIe/USB 3.1/USB 2.0)
JMD2	M.2 Slot E-KEY 2230 (PCIe/USB 2.0/CVNi)
JMD3	M.2 Slot M-KEY 2280/2242 (PCIe Gen4 x4)
JPH1	4-pin HDD Power Connector
JPW1	8-pin 12-24V Power Connector
JSIM1	JSIM1 Nano SIM Card Slot (bottom side)
JSMBUS1	System Management Bus Header
JSPKR1	Audio-Out Speaker with 3W Amplifier
LAN1, LAN2	2.5 Gigabit Ethernet Ports
LVDS1	Dual Channel 48-bit LVDS Connector
SRW1 ~ SRW5	M.2 Mounting holes
USB0/1	Front Accessible USB 2.0 Headers
USB2/3	Front Accessible USB 2.0 Headers
USB5	Back Panel USB 3.1 Type C Port (supports DP1.4a with Alt. Mode)
USB4/6/7	Back Panel USB 3.1 Type A Ports

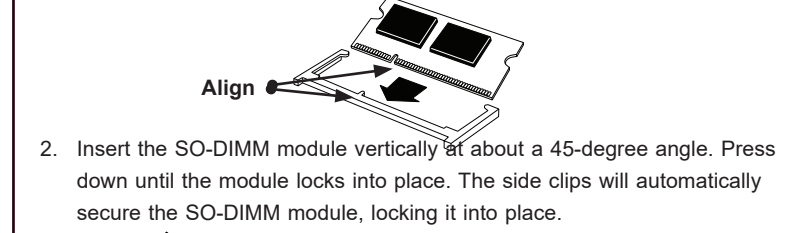
**Note:** Refer to Chapter 1 of the User Manual for detailed information on jumpers, connectors, and LED indicators.

**CPU and Memory Support**

X12STN-H/-H-WOHS supports 11th Generation Intel® Core™ i7-1185GRE  
 X12STN-E/-E-WOHS supports 11th Generation Intel Core™ i5-1145GRE  
 X12STN-L/-L-WOHS supports 11th Generation Intel Core™ i3-1115GRE  
 X12STN-C/-C-WOHS supports 11th Generation Intel CELERON 6305E  
 The X12STN-H/-E/-L/-C-WOHS motherboard supports up to 64GB of DDR4 3200MHz SO-DIMM in two memory slots.

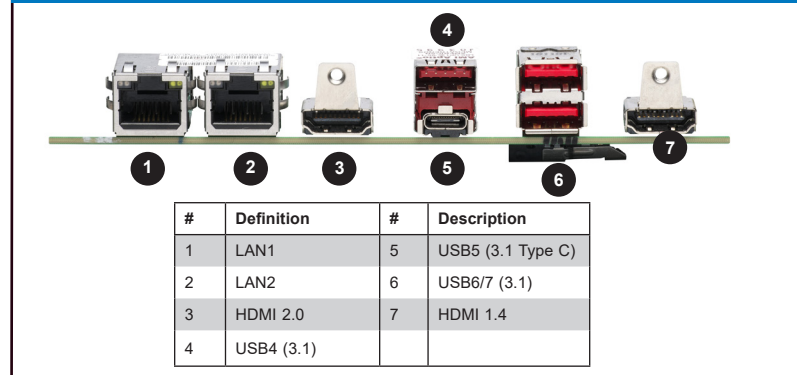
**SO-DIMM Memory Installation**

1. Position the SO-DIMM module's bottom key so it aligns with the receptive point on the slot.

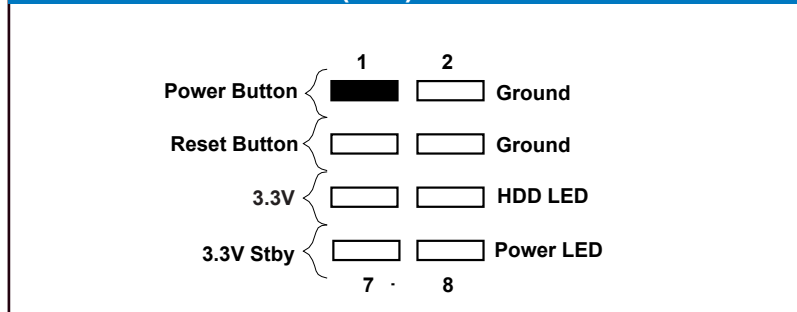


- SO-DIMM Removal**
1. Push the side clips at the end of slot to release the SO-DIMM module. Pull the SO-DIMM module up to remove it from the slot.

**Back Panel I/O Connectors**



**Front Control Panel (JF1)**



**Note:** Refer to Chapter 2 of the User Manual for detailed information on memory support and CPU/motherboard installation instructions.

**Note:** Graphics shown in this quick reference guide are for illustration only. Your components may or may not look exactly the same as drawings shown in this guide.