

Fixed-Focus Lens

This fixed-focus lens is designed for use with Panasonic’s applicable projectors. The short-throw lens is ideal for rear projection.

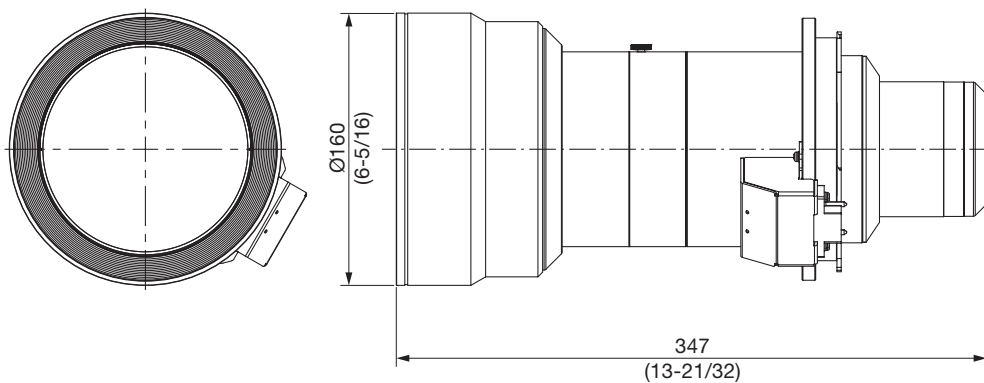
NOTE: Please use the lens only on the specified Panasonic projector.

Specifications

F value:	2.5
Focal distance (f):	14.8 mm
Throw ratio:	0.746:1 for PT-RQ32K/RQ22K/RQ13K (16:10 aspect ratio) 0.694:1 for PT-RZ31K/RZ21K/RZ12K/DZ21K2/DZ21K/ DZ13K/DZ10K (16:10 aspect ratio) 0.752:1 for PT-RS30K/RS20K/RS11K/DS20K2/DS12K (4:3 aspect ratio) 0.774:1 for PT-DW17K2/DW11K
Auto Lens Identification function	Compatible models : PT-RQ32K/RZ31K/RS30K/RQ22K/RZ21K/RS20K
Dimensions (W × H × D):	160 × 160 × 347 mm (6-5/16 × 6-5/16 × 13-21/32 inches)
Weight:	Approximately 7.1 kg* (15.7 lbs*)
Applicable projector	[Group A] PT-DZ21K2/DS20K2/DW17K2/DZ16K2 [Group B] PT-DZ13K/DS12K/DW11K/DZ10K [Group C] PT-RZ12K/RS11K PT-RQ13K [Group D] PT-RZ21K/RS20K PT-RQ22K [Group E] PT-RZ31K/RS30K PT-RQ32K ----- PT-RQ35K/RZ34K/RZ16K For these projectors see the individual spec files of the projectors

*Average value. May differ depending on the actual unit.
The throw ratio is an approximate value calculated by dividing the screen width by the projection distance.

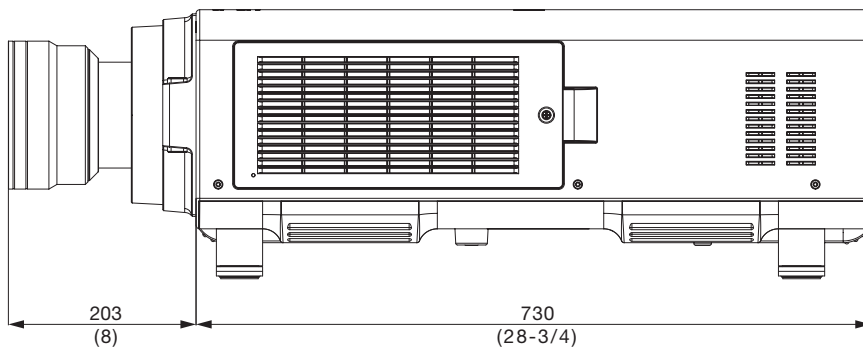
Dimensions



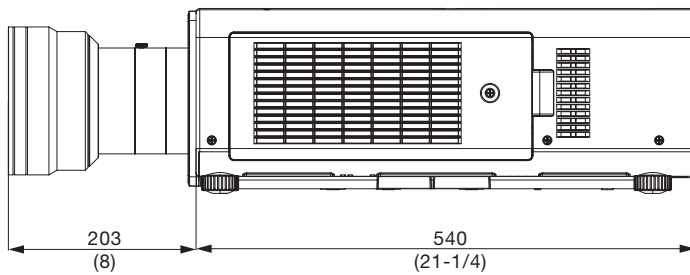
unit : mm (inch)
NOTE: This illustration is not drawn to scale.

NOTE: Weights and dimensions shown are approximate. Specifications subject to change without notice.

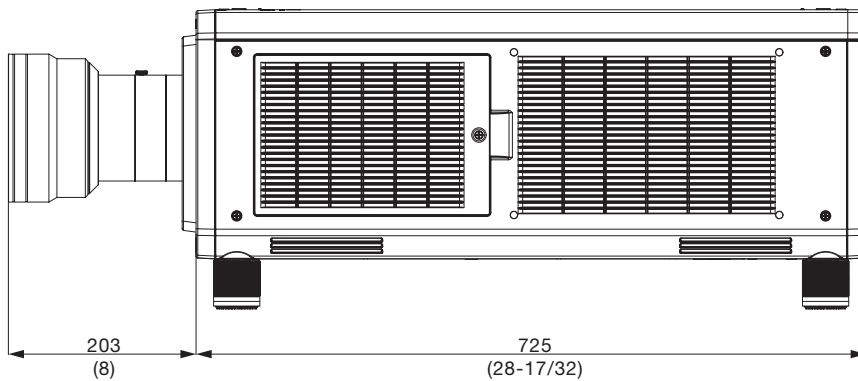
[Group A]



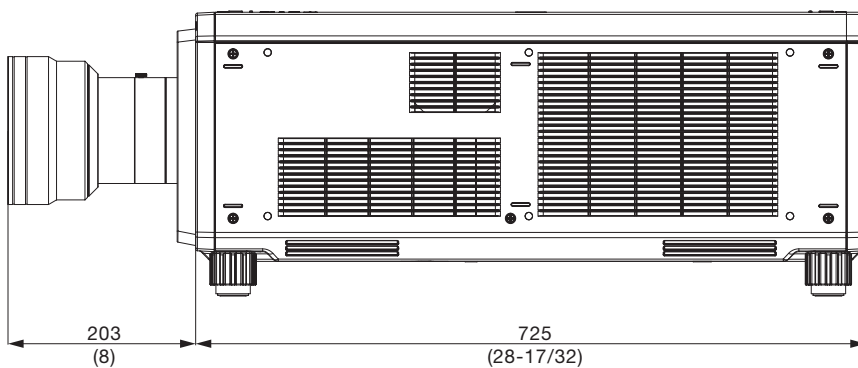
[Group B]



[Group C]



[Group D]



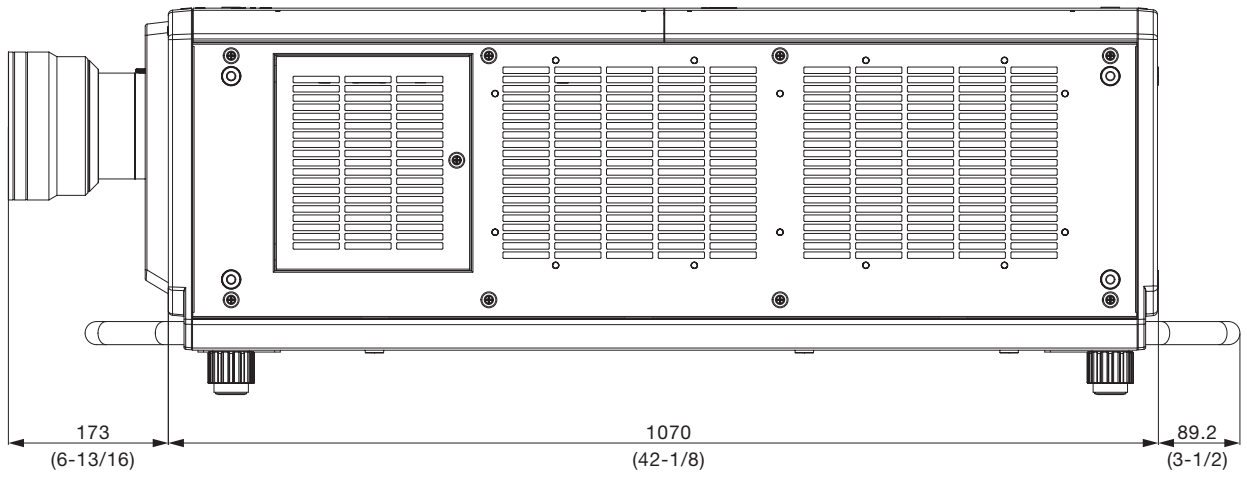
unit : mm (inch)
NOTE: This illustration is not drawn to scale.

NOTE: Weights and dimensions shown are approximate. Specifications subject to change without notice.

As of February 2021

2/7

[Group E]

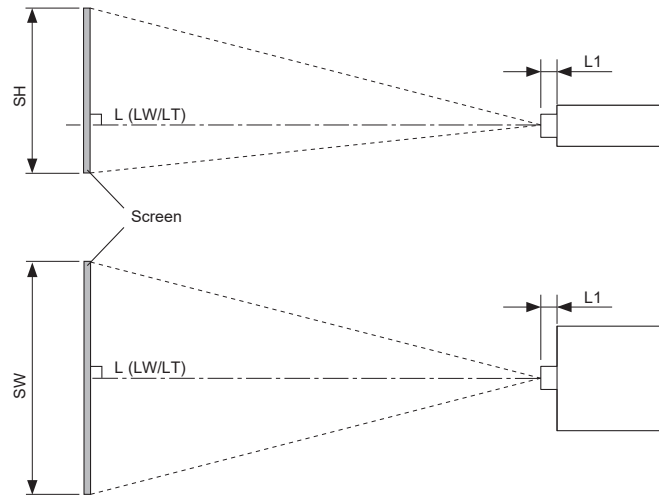
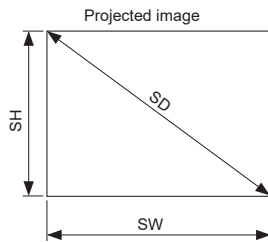


unit : mm (inch)
NOTE: This illustration is not drawn to scale.

NOTE: Weights and dimensions shown are approximate. Specifications subject to change without notice.

Zoom Lens

Projection relationships



NOTE

- This diagram assumes that the size and position of the projected image will be adjusted so that the image fills the entire screen.
- This illustration is not drawn to scale.

L	Projection distance
	LW Minimum distance
	LT Maximum distance
L1	Lens protrusion dimension
SH	Projected image height
SW	Projected image width
SD	Projected image size

(Unit: m)

Projector model	Dimension for L1 (approximate value)
PT-RQ22K/RZ21K/RS20K/RQ13K/RZ12K/RS11K/ DZ21K2/DS20K2/DW17K2/DZ16K2/DZ13K/DS12K/ DW11K/DZ10K	0.203
PT-RQ32K/RZ31K/RS30K	0.173

Projection distance

PT-RQ32K/RQ22K/RQ13K/RZ31K/RZ21K/RZ12K/DZ21K2/DZ13K/DZ10K
Aspect ratio 16:10

unit: meters (feet)

Projection size (Diagonal)	Projection size (Height)	Projection size (Width)	PT-RQ32K/RQ22K/RQ13K (2560×1600) Throw ratio[0.746:1]	PT-RZ31K/RZ21K/RZ12K/DZ21K2 DZ13K/DZ10K (WUXGA; 1920×1200) Throw ratio[0.694:1]
[SD]	[SH]	[SW]	[L]	[L]
1.778 m / 70"	0.942 (3.09)	1.508 (4.95)	1.09 (3.6)	1.01 (3.3)
2.032 m / 80"	1.077 (3.53)	1.723 (5.65)	1.25 (4.1)	1.16 (3.8)
2.286 m / 90"	1.212 (3.98)	1.939 (6.36)	1.42 (4.7)	1.32 (4.3)
2.540 m / 100"	1.346 (4.42)	2.154 (7.07)	1.58 (5.2)	1.47 (4.8)
3.048 m / 120"	1.615 (5.30)	2.585 (8.48)	1.91 (6.3)	1.78 (5.8)
3.810 m / 150"	2.019 (6.62)	3.231 (10.60)	2.41 (7.9)	2.24 (7.3)
5.080 m / 200"	2.692 (8.83)	4.308 (14.13)	3.23 (10.6)	3.01 (9.9)
6.350 m / 250"	3.365 (11.04)	5.385 (17.67)	4.06 (13.3)	3.78 (12.4)
7.620 m / 300"	4.039 (13.25)	6.462 (21.20)	4.89 (16.0)	4.56 (15.0)
8.890 m / 350"	4.712 (15.46)	7.539 (24.73)	5.71 (18.7)	5.33 (17.5)
10.160 m / 400"	5.385 (17.67)	8.616 (28.27)	6.54 (21.5)	6.10 (20.0)
12.700 m / 500"	6.731 (22.08)	10.770 (35.33)	8.19 (26.9)	7.64 (25.1)
15.240 m / 600"	8.077 (26.50)	12.923 (42.40)	9.84 (32.3)	9.18 (30.1)
17.780 m / 700"	9.423 (30.92)	15.077 (49.47)	11.49 (37.7)	10.72 (35.2)
20.320 m / 800"	10.770 (35.33)	17.231 (56.53)	13.15 (43.1)	12.27 (40.3)
22.860 m / 900"	12.116 (39.75)	19.385 (63.60)	14.80 (48.6)	13.81 (45.3)
25.400 m / 1000"	13.462 (44.17)	21.539 (70.67)	16.45 (54.0)	15.35 (50.4)

Zoom Lens

PT-RQ32K/RQ22K/RQ13K/RZ31K/RZ21K/RZ12K/DZ21K2/DZ13K/DZ10K/RS30K/RS20K/RS11K/DS20K2/DS12K/
DW17K2/DW11K/DZ16K2

Aspect ratio 16:9

unit: meters (feet)

Projection size (Diagonal)	Projection size (Height)	Projection size (Width)	PT-RQ32K/RQ22K/RQ13K (2560×1440) Throw ratio:[0.746:1]	PT-RZ31K/RZ21K/RZ12K/DZ21K2/DZ13K/DZ10K (1920×1080) Throw ratio:[0.695:1]	PT-RS30K/RS20K/RS11K/DS20K2/DS12K (1400×788) Throw ratio:[0.754:1]	PT-DW17K2/DW11K (WXGA;1366×768) Throw ratio:[0.774:1]	PT-DZ16K2 (1920×1080) Throw ratio:[0.695:1]
[SD]	[SH]	[SW]	[L]	[L]	[L]	[L]	[L]
1.778 m / 70"	0.872 (2.86)	1.550 (5.09)	1.12 (3.7)	1.04 (3.4)	1.13 (3.7)	1.16 (3.8)	1.04 (3.4)
2.032 m / 80"	0.996 (3.27)	1.771 (5.81)	1.29 (4.2)	1.20 (3.9)	1.30 (4.3)	1.34 (4.4)	1.20 (3.9)
2.286 m / 90"	1.121 (3.68)	1.992 (6.54)	1.46 (4.8)	1.36 (4.5)	1.47 (4.8)	1.51 (5.0)	1.36 (4.5)
2.540 m / 100"	1.245 (4.08)	2.214 (7.26)	1.63 (5.3)	1.51 (5.0)	1.64 (5.4)	1.69 (5.5)	1.51 (5.0)
3.048 m / 120"	1.494 (4.90)	2.657 (8.72)	1.97 (6.5)	1.83 (6.0)	1.99 (6.5)	2.04 (6.7)	1.83 (6.0)
3.810 m / 150"	1.868 (6.13)	3.321 (10.90)	2.48 (8.1)	2.31 (7.6)	2.50 (8.2)	2.57 (8.4)	2.31 (7.6)
5.080 m / 200"	2.491 (8.17)	4.428 (14.53)	3.33 (10.9)	3.10 (10.2)	3.36 (11.0)	3.45 (11.3)	3.10 (10.2)
6.350 m / 250"	3.113 (10.21)	5.535 (18.16)	4.17 (13.7)	3.89 (12.8)	4.22 (13.8)	4.33 (14.2)	3.89 (12.8)
7.620 m / 300"	3.736 (12.26)	6.641 (21.79)	5.02 (16.5)	4.68 (15.4)	5.08 (16.7)	5.21 (17.1)	4.68 (15.4)
8.890 m / 350"	4.358 (14.30)	7.748 (25.42)	5.87 (19.3)	5.48 (18.0)	5.93 (19.5)	6.09 (20.0)	5.48 (18.0)
10.160 m / 400"	4.981 (16.34)	8.855 (29.05)	6.72 (22.0)	6.27 (20.6)	6.79 (22.3)	6.96 (22.8)	6.27 (20.6)
12.700 m / 500"	6.226 (20.43)	11.069 (36.32)	8.42 (27.6)	7.85 (25.8)	8.51 (27.9)	8.72 (28.6)	7.85 (25.8)
15.240 m / 600"	7.472 (24.51)	13.283 (43.58)	10.12 (33.2)	9.44 (31.0)	10.22 (33.5)	10.48 (34.4)	9.44 (31.0)
17.780 m / 700"	8.717 (28.60)	15.497 (50.84)	11.82 (38.8)	11.02 (36.2)	11.94 (39.2)	12.24 (40.2)	11.02 (36.2)
20.320 m / 800"	9.962 (32.68)	17.710 (58.10)	13.51 (44.3)	12.61 (41.4)	13.66 (44.8)	14.00 (45.9)	12.61 (41.4)
22.860 m / 900"	11.207 (36.77)	19.924 (65.37)	15.21 (49.9)	14.19 (46.6)	15.37 (50.4)	15.76 (51.7)	14.19 (46.6)
25.400 m / 1000"	12.453 (40.86)	22.138 (72.63)	16.91 (55.5)	15.78 (51.8)	17.09 (56.1)	17.52 (57.5)	15.78 (51.8)

PT-RQ32K/RQ22K/RQ13K/RZ31K/RZ21K/RZ12K/DZ21K2/DZ13K/DZ10K/RS30K/RS20K/RS11K/DS20K2/DS12K/
DW17K2/DW11K/DZ16K2

Aspect ratio 4:3

unit: meters (feet)

Projection size (Diagonal)	Projection size (Height)	Projection size (Width)	PT-RQ32K/RQ22K/RQ13K (2560×1440) Throw ratio:[0.746:1]	PT-RZ31K/RZ21K/RZ12K/DZ21K2/DZ13K/DZ10K (1920×1080) Throw ratio:[0.695:1]	PT-RS30K/RS20K/RS11K/DS20K2/DS12K (1400×788) Throw ratio:[0.754:1]	PT-DW17K2/DW11K (WXGA;1366×768) Throw ratio:[0.774:1]	PT-DZ16K2 (1920×1080) Throw ratio:[0.695:1]
[SD]	[SH]	[SW]	[L]	[L]	[L]	[L]	[L]
1.778 m / 70"	1.067 (3.50)	1.422 (4.67)	1.24 (4.1)	1.15 (3.8)	1.03 (3.4)	1.44 (4.7)	1.29 (4.2)
2.032 m / 80"	1.219 (4.00)	1.626 (5.33)	1.43 (4.7)	1.33 (4.4)	1.19 (3.9)	1.65 (5.4)	1.48 (4.9)
2.286 m / 90"	1.372 (4.50)	1.829 (6.00)	1.61 (5.3)	1.50 (4.9)	1.35 (4.4)	1.87 (6.1)	1.67 (5.5)
2.540 m / 100"	1.524 (5.00)	2.032 (6.67)	1.80 (5.9)	1.67 (5.5)	1.50 (4.9)	2.08 (6.8)	1.87 (6.1)
3.048 m / 120"	1.829 (6.00)	2.438 (8.00)	2.17 (7.1)	2.02 (6.6)	1.82 (6.0)	2.51 (8.2)	2.26 (7.4)
3.810 m / 150"	2.286 (7.50)	3.048 (10.00)	2.73 (9.0)	2.55 (8.4)	2.29 (7.5)	3.16 (10.4)	2.84 (9.3)
5.080 m / 200"	3.048 (10.00)	4.064 (13.33)	3.67 (12.0)	3.42 (11.2)	3.08 (10.1)	4.24 (13.9)	3.81 (12.5)
6.350 m / 250"	3.810 (12.50)	5.080 (16.67)	4.61 (15.1)	4.29 (14.1)	3.87 (12.7)	5.31 (17.4)	4.78 (15.7)
7.620 m / 300"	4.572 (15.00)	6.096 (20.00)	5.54 (18.2)	5.17 (17.0)	4.65 (15.3)	6.39 (21.0)	5.75 (18.9)
8.890 m / 350"	5.334 (17.50)	7.112 (23.33)	6.48 (21.3)	6.04 (19.8)	5.44 (17.8)	7.47 (24.5)	6.72 (22.0)
10.160 m / 400"	6.096 (20.00)	8.128 (26.67)	7.41 (24.3)	6.91 (22.7)	6.23 (20.4)	8.54 (28.0)	7.69 (25.2)
12.700 m / 500"	7.620 (25.00)	10.160 (33.33)	9.28 (30.4)	8.66 (28.4)	7.80 (25.6)	10.70 (35.1)	9.63 (31.6)
15.240 m / 600"	9.144 (30.00)	12.192 (40.00)	11.15 (36.6)	10.40 (34.1)	9.38 (30.8)	12.85 (42.2)	11.57 (38.0)
17.780 m / 700"	10.668 (35.00)	14.224 (46.67)	13.02 (42.7)	12.15 (39.9)	10.96 (36.0)	15.00 (49.2)	13.51 (44.3)
20.320 m / 800"	12.192 (40.00)	16.256 (53.33)	14.89 (48.9)	13.90 (45.6)	12.53 (41.1)	17.16 (56.3)	15.45 (50.7)
22.860 m / 900"	13.716 (45.00)	18.288 (60.00)	16.77 (55.0)	15.64 (51.3)	14.11 (46.3)	19.31 (63.4)	17.39 (57.1)
25.400 m / 1000"	15.240 (50.00)	20.320 (66.67)	18.64 (61.2)	17.39 (57.1)	15.68 (51.4)	21.46 (70.4)	19.33 (63.4)

Zoom Lens

Calculation of the projection distance

Aspect ratio 16:10

unit: meters

PT-RQ32K/RQ22K/RQ13K

L (m) = (diagonal screen size in inches) × 0.0165 - 0.0713

PT-RZ31K/RZ21K/RZ12K/DZ21K2/DZ13K/DZ10K

L (m) = (diagonal screen size in inches) × 0.0154 - 0.0713

Aspect ratio 16:9

unit: meters

PT-RQ32K/RQ22K/RQ13K

L (m) = (diagonal screen size in inches) × 0.0170 - 0.0713

PT-RZ31K/RZ21K/RZ12K/DZ21K2/DZ13K/DZ10K

L (m) = (diagonal screen size in inches) × 0.0158 - 0.0713

PT-RS30K/RS20K/RS11K/DS20K2/DS12K

L (m) = (diagonal screen size in inches) × 0.0172 - 0.0713

PT-DW17K2/DW11K

L (m) = (diagonal screen size in inches) × 0.0176 - 0.0713

PT-DZ16K2

L (m) = (diagonal screen size in inches) × 0.0158 - 0.0713

Aspect ratio 4:3

unit: meters

PT-RQ32K/RQ22K/RQ13K

L (m) = (diagonal screen size in inches) × 0.0187 - 0.0713

PT-RZ31K/RZ21K/RZ12K/DZ21K2/DZ13K/DZ10K

L (m) = (diagonal screen size in inches) × 0.0175 - 0.0713

PT-RS30K/RS20K/RS11K/DS20K2/DS12K

L (m) = (diagonal screen size in inches) × 0.0157 - 0.0713

PT-DW17K2/DW11K

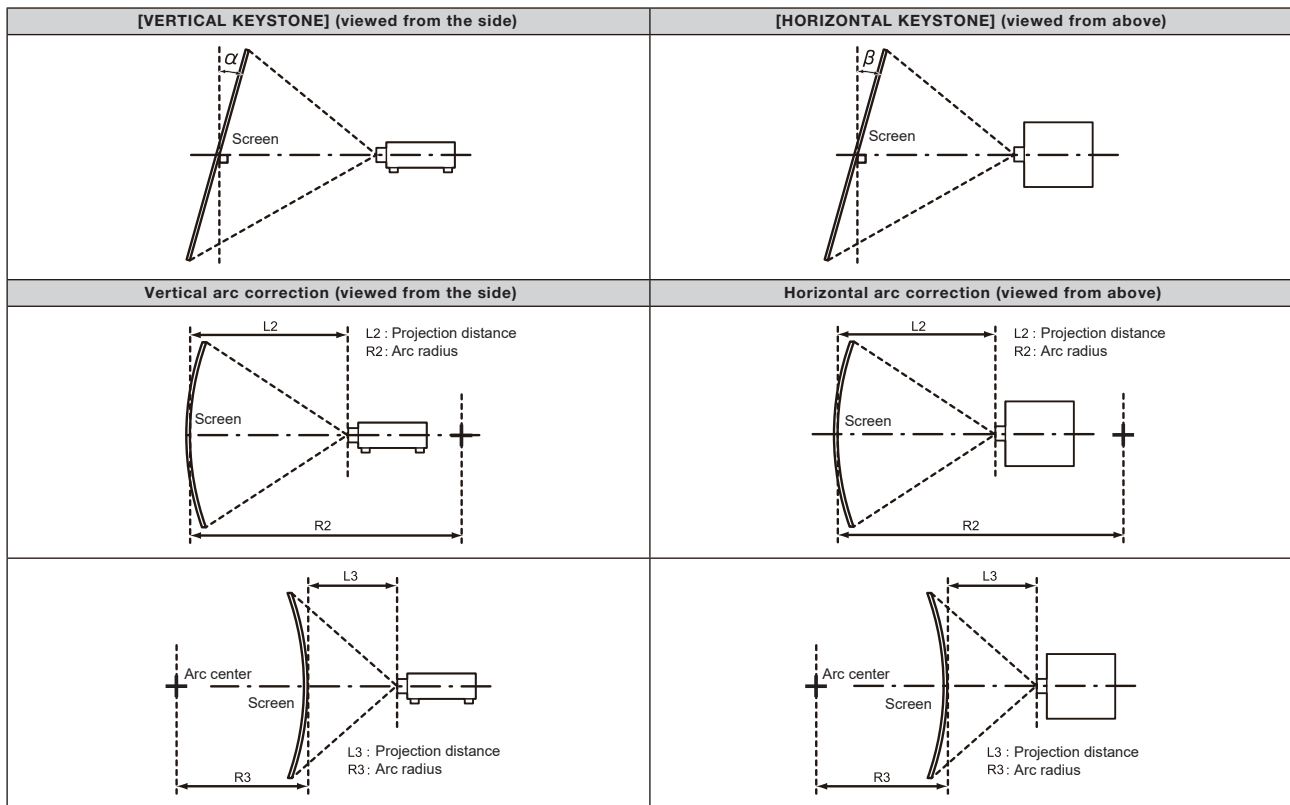
L (m) = (diagonal screen size in inches) × 0.0215 - 0.0713

PT-DZ16K2

L (m) = (diagonal screen size in inches) × 0.0194 - 0.0713

Zoom Lens

Keystone correction range



Standard status

Projector Model No.	Only [KEYSTONE] used		[KEYSTONE] and [CURVED CORRECTION] used together				Only [CURVED CORRECTION] used	
	Vertical keystone correction angle α (°)	Horizontal keystone correction angle β (°)	Vertical keystone correction angle α (°)	Horizontal keystone correction angle β (°)	Min. value of R2/L2	Min. value of 3/L3	Min. value of R2/L2	Min. value of R3/L3
PT-RQ32K/RQ22K	± 22	± 15	± 8	± 8	2.0	4.9	1.2	2.9
PT-RZ31K/RZ21K RS30K/RS20K	± 22	± 15	± 8	± 8	2.0	4.9	1.2	2.9

When using the optional upgrade kit (ET-UK20)

Projector Model No.	Only [KEYSTONE] used		[KEYSTONE] and [CURVED CORRECTION] used together				Only [CURVED CORRECTION] used	
	Vertical keystone correction angle α (°)	Horizontal keystone correction angle β (°)	Vertical keystone correction angle α (°)	Horizontal keystone correction angle β (°)	Min. value of R2/L2	Min. value of 3/L3	Min. value of R2/L2	Min. value of R3/L3
PT-RQ32K/RQ22K	± 22	± 15	± 8	± 8	1.5	3.7	0.9	2.2
PT-RZ31K/RZ21K RS30K/RS20K	± 22	± 15	± 8	± 8	1.5	3.7	0.9	2.2