

DH-SD5A425XA-HNR

4MP 25x Starlight+ IR WizSense Network PTZ Camera



Wiz Sense

- 1/1.8" 4Megapixel CMOS
- Powerful 25x optical zoom
- Starlight+ Technology
- Max. 25/30fps@4MP
- IR distance up to 150m
- SMD PLUS
- Deep-learning-based perimeter protection
- Auto-tracking and IVS
- PoE+
- IP67, IK10



Launched by Dahua Technology, WizSense is a series of AI products and solutions that adopt independent AI chip and deep learning algorithm. It focuses on human and vehicle with high accuracy, enabling users to fast act on defined targets. Based on Dahua's advanced technologies, WizSense provides intelligent, simple and inclusive products and solutions.

System Overview

Dahua PTZ WizSense network camera adopts advanced CNN deep learning algorithms to support Smart Capture and perimeter protection with high accuracy. Together with infrared illumination and Starlight technology, the camera is the perfect solution for dark, lowlight applications. The series combines a day/night mechanical IR cut filter for the highest image quality in variable lighting conditions during the day, and True WDR for applications with direct sunlight or glare.

Functions

Perimeter Protection

Automatically filtering out false alarms caused by animals, rustling leaves, bright lights, etc. Enables system to act secondary recognition for the targets. Improving alarm accuracy.

Starlight+ Technology

For challenging low-light applications, Dahua's Starlight Ultra-low Light Technology offers best-in-class light sensitivity, capturing color details in low light down to 0.001 lux. The camera uses a set of optical features to balance light throughout the scene, resulting in clear images in dark environments.

PFA Technology

PFA technology has innovatively introduced new methods of judgment to ensure the accuracy and predictability of the direction of subject distance adjustment. The result is a set of advanced focusing algorithms. PFA ensures clarity of the image throughout the process of zooming and shortens focus time. The realization of PFA technology substantially improves user experience and increases product value.

Environmental

Dahua cameras operate in extreme temperature environments, rated for use in temperatures from -40 °C to +70 °C (-40 °F to +158 °F) with 95% humidity. Subjected to rigorous dust and water immersion tests and certified to the IP67 Ingress Protection rating makes it suitable for demanding outdoor applications.

Wide Dynamic Range

The camera achieves vivid images, even in the most intense contrast lighting conditions, using industry-leading wide dynamic range (WDR) technology. For applications with both bright and low lighting conditions that change quickly, True WDR (120 dB) optimizes both the bright and dark areas of a scene at the same time to provide usable video.

Auto-tracking

This feature controls the pan/tilt/zoom actions of the camera to automatically track an object in motion and to keep it in the scene. The tracking action can be triggered manually or automatically by defined rules. Once a rule is triggered, the camera can zoom in and track the defined target automatically.

Smart H.265+

Smart H.265+ is the optimized implementation of the H.265 codec that uses a scene-adaptive encoding strategy, dynamic GOP, dynamic ROI, flexible multi-frame reference structure and intelligent noise reduction to deliver high-quality video without straining the network. Smart H.265+ technology reduces bit rate and storage requirements by up to 70% when compared to standard H.265 video compression.

SMD PLUS

With Deep-Learning Algorithm, Dahua SMD PLUS filters the motion detection alarm triggered by non-concerned target and recognizes human and vehicle effectively, sending alarms when human and vehicle intrude.

Technical Specification
Camera

Image Sensor	1/1.8" CMOS
Pixel	4MP
Max. Resolution	2560 (H)×1440 (V)
ROM	4GB
RAM	1GB
Electronic Shutter Speed	1/3–1/30,000s
Scanning System	Progressive Scanning
Min. Illumination	Color: 0.001 Lux@F1.6 B/W: 0.0001 Lux@F1.6 0Lux (IR light on)
Illumination Distance	150 m (492.13 ft)
Illuminator On/Off Control	Zoom Prio/Manual/SmartIR
Illuminator Number	4

Lens

Focal Length	5.4 mm-135 mm			
Max. Aperture	F1.6-4.0			
Field of View	H: 61.6°–3.6°; V: 35.7°–2°; D: 66.6°–4			
Optical Zoom	25x			
Focus Control	Auto/Semi-Auto/Manual			
Close Focus Distance	0.1 m–2 m			
Iris Control	Auto/Manual			
DORI Distance	Detect	Observe	Recognize	Identify
	1724 m (5656.16 ft)	689 m (2260.50 ft)	344 m (1128.61 ft)	172 m (564.30 ft)

PTZ

Pan/Tilt Range	Pan: 0°–360°; Tilt: -15°–+90°
Manual Control Speed	Pan: 0.1°/s–300°/s; Tilt: 0.1°/s–200°/s
Preset Speed	Pan: 400°/s; Tilt: 300°/s
Presets	300
Tour	8(up to 32 preset per tour)
Pattern	5
Scan	5
Speed Adjustment	Support
Power-off Memory	Support
Idle Motion	Preset/Tour/Pattern/Scanning
Protocol	DH-SD Pelco-P/D(Auto recognition)

General Intelligence

Event Trigger	Motion detection, video tampering, scene changing, Network disconnection, IP address conflict, illegal access, and storage anomaly.
---------------	---

IVS	Object Abandoned/Missing
-----	--------------------------

Artificial Intelligence

Smart Capture	Support human, motor vehicle and non-motor vehicle image capture.
Perimeter Protection	Tripwire and intrusion. Support alarm triggering by target types (human and vehicle). Support filtering false alarms caused by animals, rustling leaves, bright lights, etc.
SMD PLUS	Support
Auto Tracking	Support
Face Detection	Support

Video

Compression	H.265/H.265+/H.264+/H.264/MJPEG(Sub Stream)
Streaming Capability	3 Streams
Resolution	4M (2560 × 1440); 3M (2048 × 1536); 1080p (1920 × 1080); 720p (1280 × 960); D1 (704 × 576/704 × 480); CIF (352 × 288/352 × 240)
Frame Rate	Main stream: 4M/3M (1–25/30 fps), 1080P/1.3M/720p (1–25/30 fps) Sub stream 1: D1/CIF (1–25/30 fps) Sub stream 2: 1080p/1.3M/720p (1–25/30 fps), D1/CIF (1–25/30 fps)
Bit Rate Control	Variable/Constant
Bit Rate	H.264: 32 Kbps–8192 Kbps H.265: 32 Kbps–8192 Kbps
Day/Night	Support
BLC	Support
WDR	120dB
HLC	Support
White Balance	Auto/Indoor/Outdoor/Tracking/Manual/Sodium lamp/Natural/Street lamp
Gain Control	Auto/Manual
Noise Reduction	2D/3D
Motion Detection	Support
Region of Interest (RoI)	Support
Image Stabilization	Electronic
Defog	Support
Digital Zoom	16x
Flip	180°
Privacy Masking	Up to 24 areas can be set, with up to 8 areas in the same view

Certification

Certifications	CE: EN55032/EN55024/EN50130-4 FCC: Part15 subpartB,ANSI C63.4- 2014 UL: UL60950-1+CAN/CSA 22.2, No.60950-1
----------------	--

Audio

Compression	G.711A; G.711Mu; G.726; AAC; G.722.1; G.723; G.729; PCM; MPEG2-Layer2
-------------	---

Port

Audio I/O	1 (Line in; bare wire)/1 (Line out; bare wire)
-----------	--

Alarm I/O	2 alarm input port; 1 alarm output port
Network	
Ethernet	1 RJ-45 Port 10/100Base-T
Protocol	IPv4; IPv6; HTTP; HTTPS; 802.1x; Qos; FTP; SMTP; UPnP; SNMPv1/v2c/v3(MIB-2); DNS; DDNS; NTP; RTSP; RTP; TCP; UDP; IGMP; ICMP; DHCP; PPPoE; ARP; RTCP; RTMP
Interoperability	ONVIF Profile S&G&T; CGI
Streaming Method	Unicast/Multicast
User/Host	20 (Total bandwidth 48M)
Storage	FTP; Micro SD card (256G); P2P
Browser	IE7 and newer versions Chrome 42 and older versions Firefox 52 and older versions Safari
Management Software	Smart Player / Smart PSS / DSS / Easy4ip
Mobile Phone	IOS/Android
Power	
Power Supply	DC 24 V/2.5 A ± 25% PoE+ (802.3at)
Power Consumption	11 W 20 W (IR light on)
Environment	
Operating Conditions	-40 °C to +70 °C (-40 °F to +158 °F)
Operating Humidity	≤ 95%RH
Protection	IP67; IK10; TVS 6000V lightning protection; surge protection
Structure	
Dimensions	Φ190 mm × 332 mm (7.48" × 13.07")
Weight	Net Weight: 4.7 kg (10.36 lb) Gross Weight: 8 kg (17.64 lb)
Casing	Metal

Ordering Information		
Type	Model	Description
4M PTZ WizSense Camera	SD5A425XA-HNR	4MP 25x Starlight+ IR WizSense Network PTZ Camera
	SD5A425XAN-HNR	4MP 25x Starlight+ IR WizSense Network PTZ Camera
	DH-SD5A425XA-HNR	4MP 25x Starlight+ IR WizSense Network PTZ Camera
	DH-SD5A425XAN-HNR	4MP 25x Starlight+ IR WizSense Network PTZ Camera
Accessories	PFB305W	Wall Mount Bracket
	DC 24 V/2.5 A	Power Adapter
	PFA111	Mount Adapter
	PFA140	Power Box
	PFB300C	Ceiling Mount Bracket
	PFA120	Junction Box
	PFA150	Pole Mount Bracket
	PFA151	Corner Mount Bracket
	PFB303S	Parapet Mount Bracket

Accessories

Included:



PFB305W
Wall Mount Bracket



DC 24 V/2.5 A
Power Adapter

Optional:



PFA111
Mount Adapter



PFA140
Power Box



PFB300C
Ceiling Mount Bracket



PFA120
Junction Box



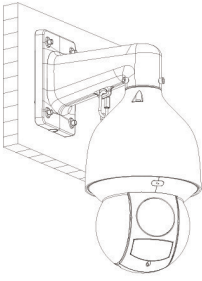
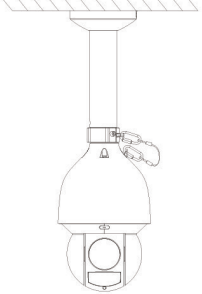
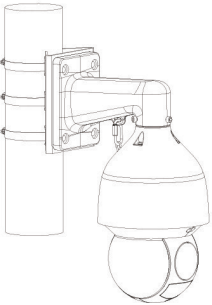
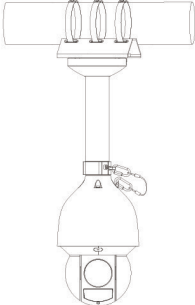
PFA150
Pole Mount Bracket



PFA151
Corner Mount Bracket



PFB303S
Parapet Mount Bracket

Wall Mount	Ceiling Mount
PFB305W	PFA111+PFB300C
	
Pole Mount(Vertical)	Pole Mount(Horizontal)
PFA150+PFB305W	PFA150+PFA111+PFB300C
	

Dimensions (mm[inch])

