

IPC-HMW8441X-M/M12

4MP Mobile Dual-lens Passenger Counting Network Camera



Passenger counting solution monitors the number of people entering and exiting a bus. Equipped with a deep learning algorithm, it can track and count people in a drawing area with an extremely high statistical accuracy rate of over 98%.

Functions

Smart H.265+ & Smart H.264+

With advanced scene-adaptive rate control algorithm, Dahua smart encoding technology realizes the higher encoding efficiency than H.265 and H.264, provides high-quality video, and reduces the cost of storage and transmission.

Starlight

With advanced image processing technology and optical technology, Dahua Starlight technology can provide clear colorful video in the environment of low illuminance. It widely applies to various environments of low illuminance.

Passenger counting

With deep learning algorithm, Dahua People Counting technology can track and process moving human body targets to realize the accurate statistics of enter No. and leave No. Working with mobile video recorder and Mobile Center management platform (through sites distribution and GPS tracking), the system supports to output detailed reports of the number of people getting on and off at each station, which greatly helps bus companies optimize scheduling.

- 4 MP 1/3" CMOS image sensor, low illuminance and high definition.
- Outputs max. 4 MP (2560 × 1440) @25/30 fps.
- Built-in IR light with illumination distance up to 14 m.
- ROI, SMART H.264+/H.265+, flexible coding, applicable to various bandwidth and storage environments.
- WDR, 3D NR, HLC, BLC, digital watermarking, applicable to various monitoring scenes.
- Precise passenger counting with an accuracy up to 98%.
- Alarm: 2 in, 2 out; audio: 1 in, 1 out; RS-485, supports max. 512G micro SD card.
- 9–36 V DC/POE wide-range power supply.
- IP67 and IK08 protection.
- RJ45 and 4-pin aviation ports optional.
- Embedded mounting & bracket mounting optional.
- Certifications: CE-LVD/CE-EMC/FCC/E-mark/EN50155/R118



Technical Specification

Camera

Image Sensor	1/ 2.8" CMOS
Max Resolution	2560 (H) × 1440 (V)
Electronic Shutter Speed	1/3s-1/100000s (manual/auto)
Minimum Illumination	0.002 lux (Color); 0.0002 lux (B/W); 0 lux (IR on)
SNR	>56dB
IR Distance	14 m
Rotation Range	Vertical: -10°–15°
Number of IR LED	1

Lens

Lens type	Fixed focal
Mount Type	M12
Focal Length	2.0 mm
Aperture	F2.0
Field of view	H: 122°, V: 72°, D: 141°
Iris Control	Fixed
Close Focus Distance	0.5m

Video

Video Compression	H.265;H.264;H.264H;H.264B;MJPEG(Sub stream only)
Smart Code	Smart H.265+; Smart H.264+

Frame Rate	Main stream: 2560 × 1440 @ (1–25/30 fps) Sub stream: 704 × 576 @ (1–25 fps)/704 × 480 @ (1–30fps) Third stream: 1920 × 1080 @ (1–25/30 fps)
Bit Rate	H.264:32kbps - 8192kbps H.265:12kbps - 8192kbps
Day/Night Switch	ICR auto switch
BLC	Yes
HLC	Yes
WDR	120dB
White Balance	Auto/Natural/street lamp/outdoor/manual/regional Custom
Gain Control	Automatic
Noise Reduction	3D NR

Port

RS-485	1 (baud rate range:1200 bps–115200 bps)
Audio Input	1 channel (RCA port)
Audio Output	1 channel (RCA port)
Alarm Input	2 channels in: 5–24V
Alarm Output	2 channels out: 300 mA 12 VDC

Network

Network Port	RJ-45 (10/100 Base-T) or 4-pin D-type aviation port optional
SDK and API	Yes
Network Protocol	IPv4; IPv6; HTTP; TCP; UDP; ARP; RTP; RTSP; RTCP; RTMP; SMTP; FTP; SFTP; DHCP; DNS; DDNS; QoS; UPnP; NTP; Multicast; ICMP; IGMP; NFS; PPPoE; SNMP; P2P
Interoperability	ONVIF (Profile S/Profile G/Profile T); CGI
User/Host	20 (Total bandwidth: 64 M)
Storage	FTP; SFTP; Micro SD card (support max. 512 GB); NAS
Browser	IE: IE 9 and later Chrome Firefox Safari: Safari 12 and later
Management Software	Mobile Center
Mobile Client	iOS; Android

Power

Power Supply	36 V DC/POE (802.3af)
Power Consumption	Basic: 4W

Certification

Certifications	CE EMC: EN 50498: 2010 CE LVD: EN 62368-1: 2020; FCC: 47 CFR Part 15, Subpart B; EN50155: 2017; E-mark
----------------	--

Environment

Operating Conditions	–35°C to +70°C (–31°F to +158°F)
Operating Humidity	≤ 95%
Ingress Protection	IP67, IK08

Construction

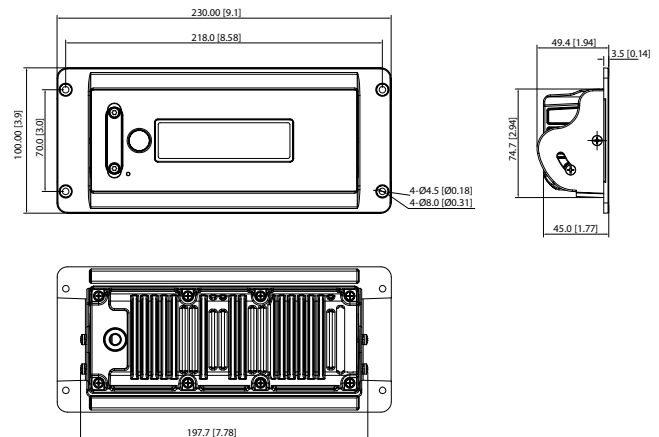
Installation	Embedded mounting & Bracket mounting optional
Dimensions	Embedded: 230.0 mm × 100.0 mm × 49.4 mm (9.06" × 3.94" × 1.94") (L × W × H) Bracket: 197.7 mm × 71.0 mm × 72.1 mm (7.78" × 2.80" × 2.84") (L × W × H)
Casing	Metal
Net Weight	Embedded: 0.76kg Bracket: 0.82kg

Gross Weight

Embedded: 0.91kg
Bracket: 1.13kg

Dimensions (mm[inch])

Embedded Mounting



Bracket Mounting

