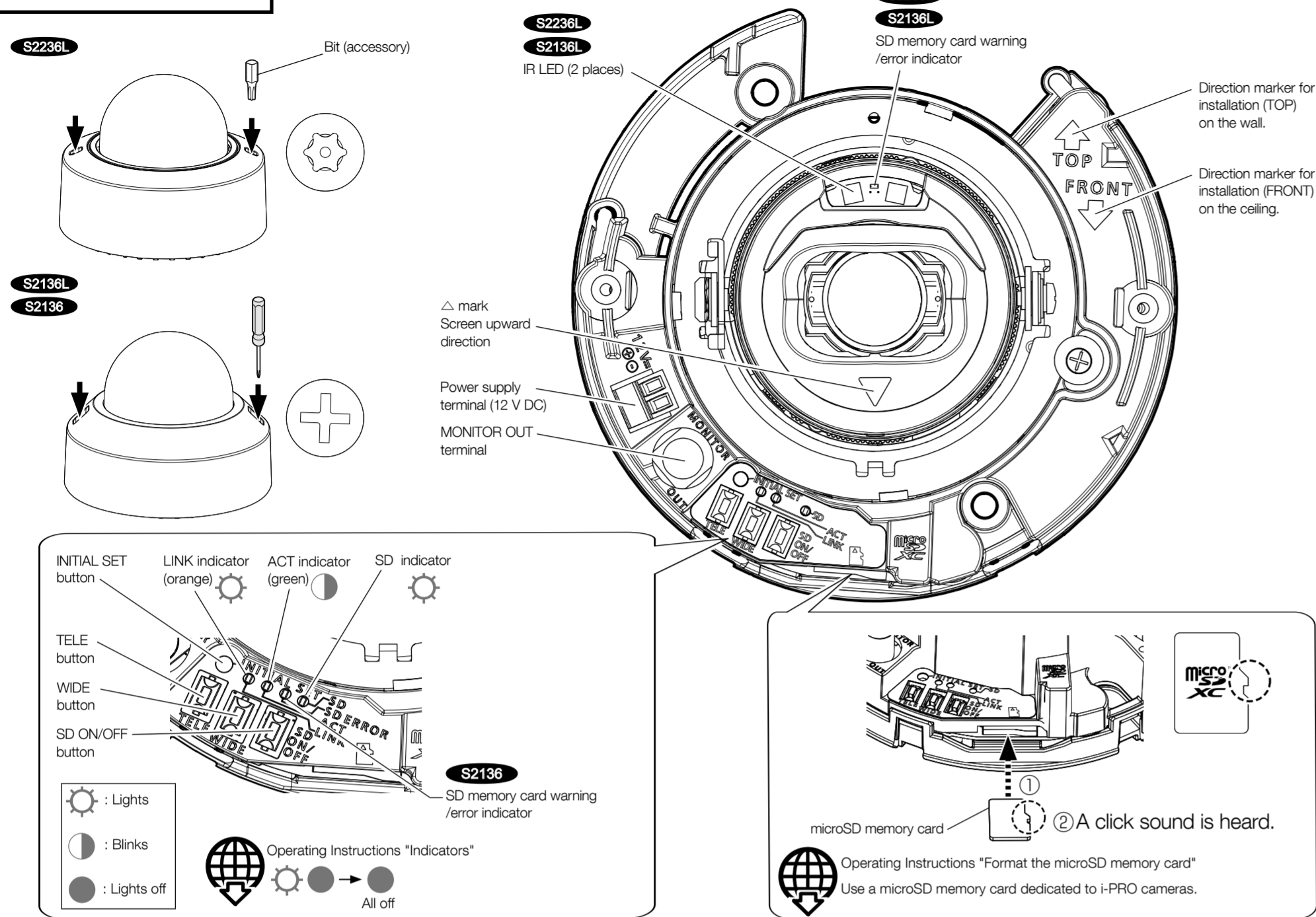
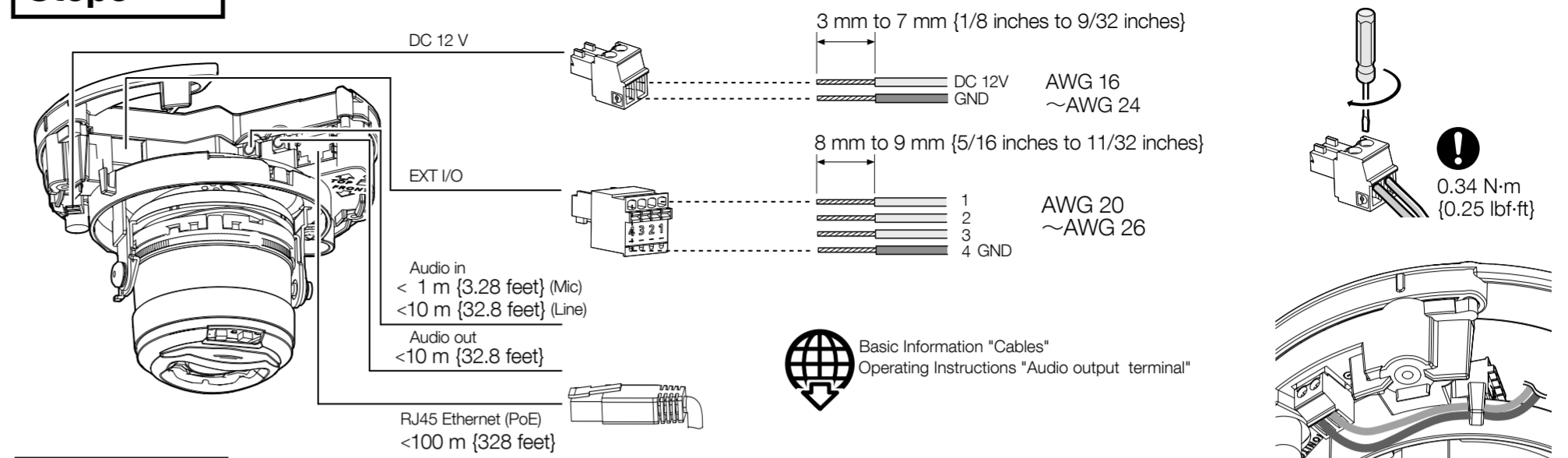


Parts and functions

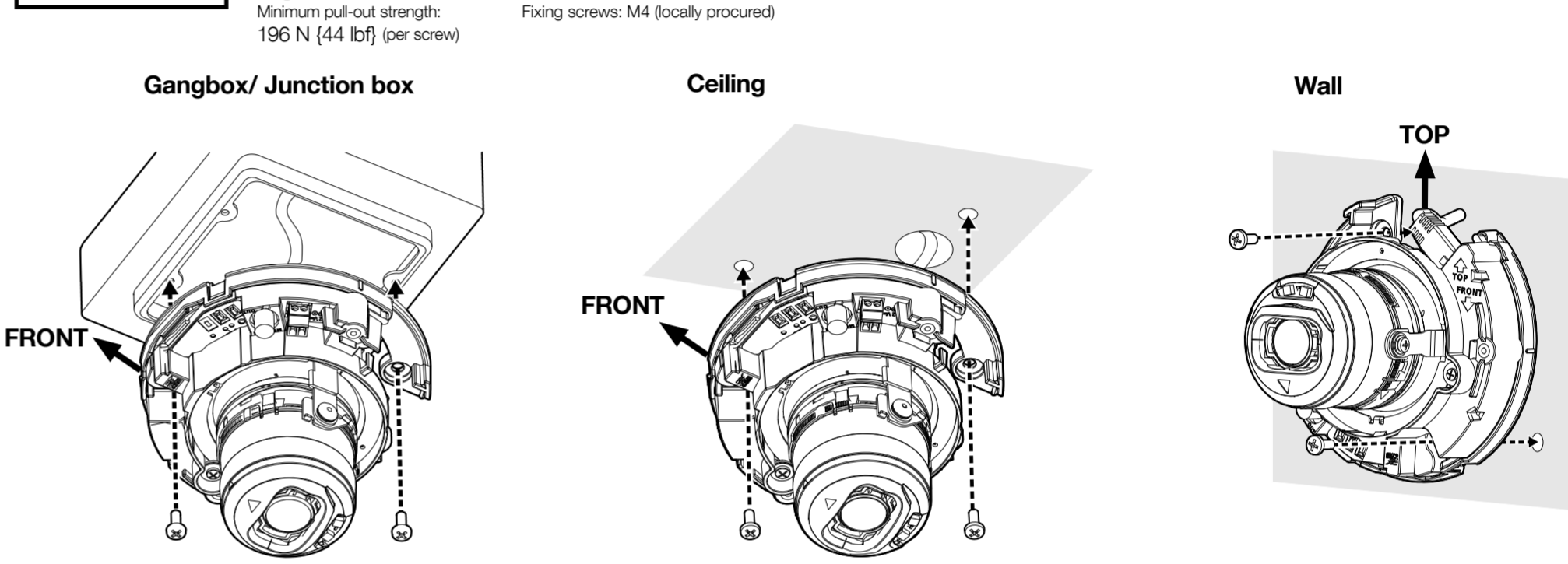
The following are descriptions when using the model S2136L.



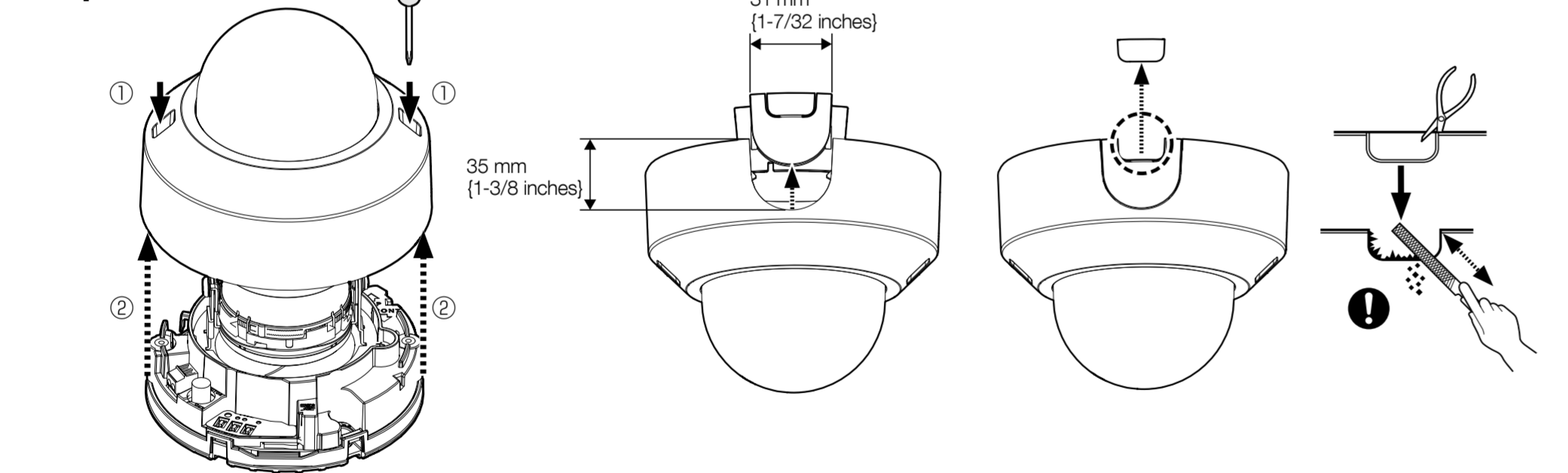
Step3



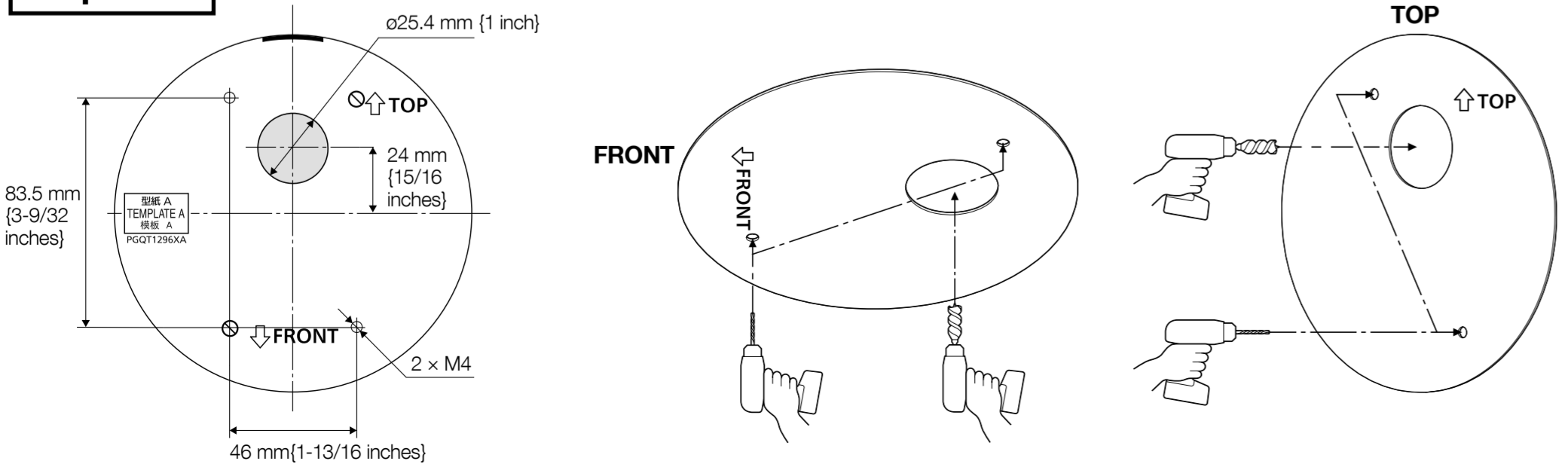
Step4



Step1 Preparations



Step2



Step5

