



X11SRA  
X11SRA-F  
X11SRA-RF

USER MANUAL

Revision 1.1b

The information in this user's manual has been carefully reviewed and is believed to be accurate. The manufacturer assumes no responsibility for any inaccuracies that may be contained in this document, and makes no commitment to update or to keep current the information in this manual, or to notify any person or organization of the updates. **Please Note: For the most up-to-date version of this manual, please see our website at [www.supermicro.com](http://www.supermicro.com).**

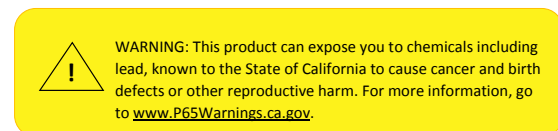
Super Micro Computer, Inc. ("Supermicro") reserves the right to make changes to the product described in this manual at any time and without notice. This product, including software and documentation, is the property of Supermicro and/or its licensors, and is supplied only under a license. Any use or reproduction of this product is not allowed, except as expressly permitted by the terms of said license.

IN NO EVENT WILL SUPER MICRO COMPUTER, INC. BE LIABLE FOR DIRECT, INDIRECT, SPECIAL, INCIDENTAL, SPECULATIVE OR CONSEQUENTIAL DAMAGES ARISING FROM THE USE OR INABILITY TO USE THIS PRODUCT OR DOCUMENTATION, EVEN IF ADVISED OF THE POSSIBILITY OF SUCH DAMAGES. IN PARTICULAR, SUPER MICRO COMPUTER, INC. SHALL NOT HAVE LIABILITY FOR ANY HARDWARE, SOFTWARE, OR DATA STORED OR USED WITH THE PRODUCT, INCLUDING THE COSTS OF REPAIRING, REPLACING, INTEGRATING, INSTALLING OR RECOVERING SUCH HARDWARE, SOFTWARE, OR DATA.

Any disputes arising between manufacturer and customer shall be governed by the laws of Santa Clara County in the State of California, USA. The State of California, County of Santa Clara shall be the exclusive venue for the resolution of any such disputes. Supermicro's total liability for all claims will not exceed the price paid for the hardware product.

FCC Statement: This equipment has been tested and found to comply with the limits for a Class B digital device pursuant to Part 15 of the FCC Rules. These limits are designed to provide reasonable protection against harmful interference when the equipment is operated in a consumer environment or residential installation. This equipment generates, uses, and can radiate radio frequency energy and, if not installed and used in accordance with the manufacturer's instruction manual, may cause harmful interference with radio communications. Operation of this equipment in a residential area is likely to cause harmful interference, in which case you will be required to correct the interference at your own expense.

California Best Management Practices Regulations for Perchlorate Materials: This Perchlorate warning applies only to products containing CR (Manganese Dioxide) Lithium coin cells. "Perchlorate Material-special handling may apply. See [www.dtsc.ca.gov/hazardouswaste/perchlorate](http://www.dtsc.ca.gov/hazardouswaste/perchlorate)".



The products sold by Supermicro are not intended for and will not be used in life support systems, medical equipment, nuclear facilities or systems, aircraft, aircraft devices, aircraft/emergency communication devices or other critical systems whose failure to perform be reasonably expected to result in significant injury or loss of life or catastrophic property damage. Accordingly, Supermicro disclaims any and all liability, and should buyer use or sell such products for use in such ultra-hazardous applications, it does so entirely at its own risk. Furthermore, buyer agrees to fully indemnify, defend and hold Supermicro harmless for and against any and all claims, demands, actions, litigation, and proceedings of any kind arising out of or related to such ultra-hazardous use or sale.

Manual Revision: 1.1b

Release Date: January 29, 2021

Unless you request and receive written permission from Super Micro Computer, Inc., you may not copy any part of this document. Information in this document is subject to change without notice. Other products and companies referred to herein are trademarks or registered trademarks of their respective companies or mark holders.

Copyright © 2021 by Super Micro Computer, Inc.  
All rights reserved.

**Printed in the United States of America**

# Preface

## About This Manual

This manual is written for system integrators, IT technicians, and knowledgeable end users. It provides information for the installation and use of the X11SRA/-F/-RF motherboard.

## About This Motherboard

The Supermicro X11SRA and X11SRA-F/-RF motherboards support a single Intel® Xeon® W-21xx and W-22xx series processor in the LGA2066 socket. This is a high-end, multi-GPU workstation motherboard geared to meet advanced graphics demands. Advanced storage features are also offered, including two U.2 connectors, two M.2 connectors, and NVMe. Please note that this motherboard is intended to be installed and serviced by professional technicians only. For processor/memory updates, please refer to our website at <http://www.supermicro.com/products/>.

## Conventions Used in the Manual

Special attention should be given to the following symbols for proper installation and to prevent damage done to the components or injury to yourself:



**Warning!** Indicates important information given to prevent equipment/property damage or personal injury.



**Warning!** Indicates high voltage may be encountered when performing a procedure.



**Important:** Important information given to ensure proper system installation or to relay safety precautions.



**Note:** Additional Information given to differentiate various models or to provide information for correct system setup.

## Contacting Supermicro

### Headquarters

Address: Super Micro Computer, Inc.  
980 Rock Ave.  
San Jose, CA 95131 U.S.A.

Tel: +1 (408) 503-8000

Fax: +1 (408) 503-8008

Email: [marketing@supermicro.com](mailto:marketing@supermicro.com) (General Information)  
[support@supermicro.com](mailto:support@supermicro.com) (Technical Support)

Website: [www.supermicro.com](http://www.supermicro.com)

### Europe

Address: Super Micro Computer B.V.  
Het Sterrenbeeld 28, 5215 ML  
's-Hertogenbosch, The Netherlands

Tel: +31 (0) 73-6400390

Fax: +31 (0) 73-6416525

Email: [sales@supermicro.nl](mailto:sales@supermicro.nl) (General Information)  
[support@supermicro.nl](mailto:support@supermicro.nl) (Technical Support)  
[rma@supermicro.nl](mailto:rma@supermicro.nl) (Customer Support)

Website: [www.supermicro.nl](http://www.supermicro.nl)

### Asia-Pacific

Address: Super Micro Computer, Inc.  
3F, No. 150, Jian 1st Rd.  
Zhonghe Dist., New Taipei City 235  
Taiwan (R.O.C)

Tel: +886-(2) 8226-3990

Fax: +886-(2) 8226-3992

Email: [support@supermicro.com.tw](mailto:support@supermicro.com.tw)

Website: [www.supermicro.com.tw](http://www.supermicro.com.tw)

# Table of Contents

## **Preface**

### **Chapter 1 Introduction**

1.1 Checklist.....	8
Quick Reference .....	11
Quick Reference Table.....	12
Motherboard Features.....	14
1.2 Processor and Chipset Overview.....	18
1.3 Special Features .....	18
Recovery from AC Power Loss.....	18
1.4 System Health Monitoring.....	19
Onboard Voltage Monitors .....	19
Fan Status Monitor with Firmware Control .....	19
Environmental Temperature Control .....	19
System Resource Alert.....	19
1.5 ACPI Features.....	19
1.6 Power Supply .....	20
1.7 Serial Port.....	20

### **Chapter 2 Installation**

2.1 Static-Sensitive Devices.....	21
Precautions .....	21
Unpacking .....	21
2.2 Motherboard Installation.....	22
Tools Needed .....	22
Location of Mounting Holes .....	22
Installing the Motherboard.....	23
2.3 Processor and Heatsink Installation.....	24
Installing a CPU .....	24
Installing a CPU Heatsink .....	28
Removing a Heatsink.....	29
2.4 Memory Support and Installation .....	30
Memory Support.....	30
DIMM Module Population Configuration .....	30

DIMM Module Population Sequence .....	31
DIMM Installation .....	32
DIMM Removal .....	32
2.5 Rear I/O Ports .....	33
2.6 Front Control Panel .....	37
2.7 Connectors .....	42
Power Connections .....	42
Headers .....	44
2.8 Jumper Settings .....	53
How Jumpers Work .....	53
2.9 LED Indicators .....	57
<b>Chapter 3 Troubleshooting</b>	
3.1 Troubleshooting Procedures .....	60
Before Power On .....	60
No Power .....	60
No Video .....	60
System Boot Failure .....	61
Memory Errors .....	61
Losing the System's Setup Configuration .....	62
When the System Becomes Unstable .....	62
3.2 Technical Support Procedures .....	64
3.3 Frequently Asked Questions .....	65
3.4 Battery Removal and Installation .....	67
Battery Removal .....	67
Proper Battery Disposal .....	67
Battery Installation .....	67
3.5 Returning Merchandise for Service .....	68
<b>Chapter 4 BIOS</b>	
4.1 Introduction .....	69
4.2 Main Setup .....	70
4.3 Advanced Setup Configurations .....	71
4.4 Event Logs .....	89
4.5 IPMI .....	91

---

---

4.6 Security.....	94
4.7 Boot.....	97
4.8 Save & Exit.....	99
<b>Appendix A BIOS Codes</b>	
<b>Appendix B Software</b>	
B.1 Microsoft Windows OS Installation.....	102
Installing the OS.....	102
B.2 Driver Installation.....	104
B.3 SuperDoctor 5.....	105
B.4 IPMI.....	106
B.5 Logging into the BMC (Baseboard Management Controller).....	106
<b>Appendix C Standardized Warning Statements</b>	
Battery Handling.....	107
Product Disposal.....	109
<b>Appendix D UEFI BIOS Recovery</b>	
D.1 Overview.....	110
D.2 Recovering the UEFI BIOS Image.....	110
D.3 Recovering the Main BIOS Block with a USB Device.....	111

# Chapter 1

## Introduction

Congratulations on purchasing your computer motherboard from an industry leader. Supermicro motherboards are designed to provide you with the highest standards in quality and performance.

In addition to the motherboard, several important parts that are included with the motherboard are listed below. If anything listed is damaged or missing, please contact your retailer.

### 1.1 Checklist

Main Parts List		
Description	Part Number	Quantity
Supermicro Motherboard	X11SRA/-F/-RF	1
SATA Cables	CBL-0044L	6
Quick Reference Guide	MNL-2005-QRG	1

### Important Links

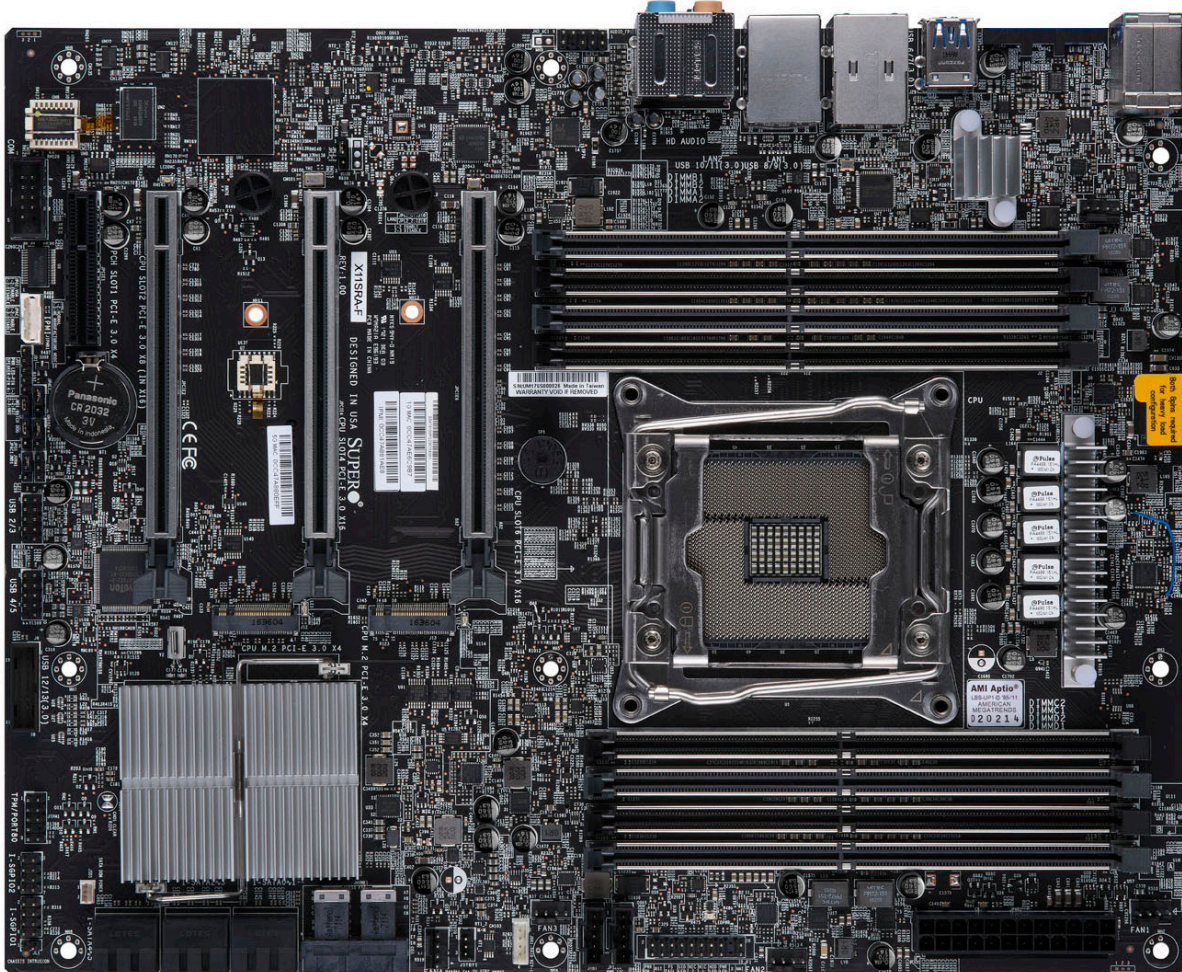
For your system to work properly, please follow the links below to download all necessary drivers/utilities and the user's manual for your server.

- Supermicro product manuals: <http://www.supermicro.com/support/manuals/>
- Product drivers and utilities: <https://www.supermicro.com/wftp/driver/>
- Product safety info: [http://www.supermicro.com/about/policies/safety\\_information.cfm](http://www.supermicro.com/about/policies/safety_information.cfm)
- A secure data deletion tool designed to fully erase all data from storage devices can be found at our website: [https://www.supermicro.com/about/policies/disclaimer.cfm?url=/wftp/utility/Lot9\\_Secure\\_Data\\_Deletion\\_Utility/](https://www.supermicro.com/about/policies/disclaimer.cfm?url=/wftp/utility/Lot9_Secure_Data_Deletion_Utility/)
- If you have any questions, please contact our support team at: [support@supermicro.com](mailto:support@supermicro.com)

This manual may be periodically updated without notice. Please check the Supermicro website for possible updates to the manual revision level.



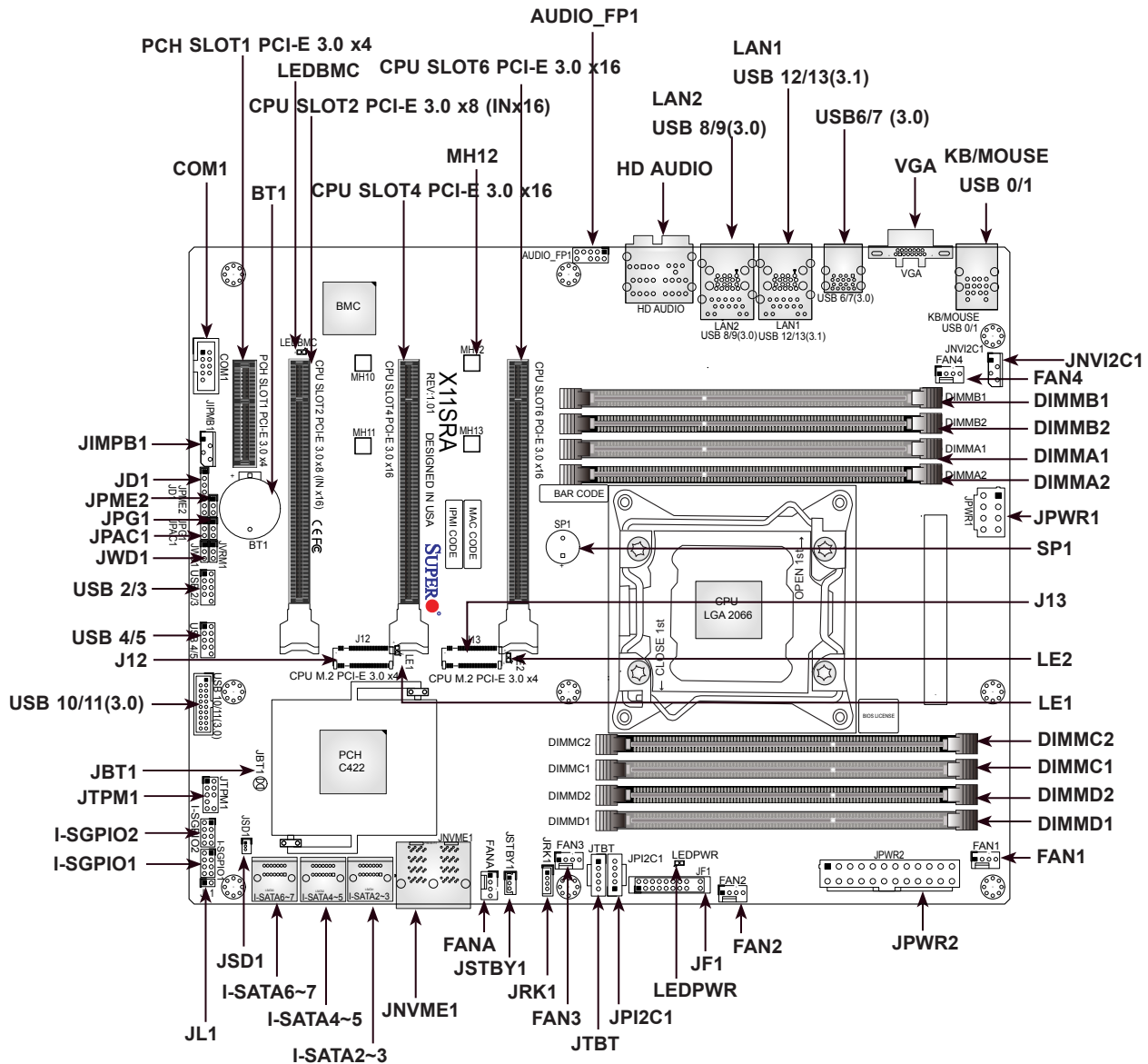
Figure 1-1. X11SRA Motherboard Image



**Note:** All graphics shown in this manual were based upon the latest PCB revision available at the time of publication of the manual. The motherboard you received may or may not look exactly the same as the graphics shown in this manual.



## Quick Reference



## Notes:

- Refer to [Chapter 2](#) for detailed information on jumpers, I/O ports, and JF1 front panel connections. Jumpers/LED indicators not indicated are used for testing only.
- " ■ " indicates the location of Pin 1.
- When LEDPWR (Onboard Power LED indicator) is on, system power is on. Unplug the power cable before installing or removing any components.

## Quick Reference Table

Jumper	Description	Default Setting
JBT1	CMOS Clear	Open: Normal Closed: Clear CMOS
JPAC1	Audio Enable	Pins 1-2: Enabled
JPG1	VGA Enable	Pins 1-2: Enabled
JPME2	Manufacturing Mode	Pins 1-2: Normal

LED	Description	Status
LE1/LE2	M.2 Status LED	Blinking Green: Read/Write
LEDBMC	BMC Heartbeat	Blinking Green: BMC Normal
LEDPWR	Power LED	Solid Green: Power On


Connector	Description
AUDIO_FP1	Front Panel Audio Header
BT1	Onboard Battery
COM1	COM Header
CPU SLOT2 PCI-E 3.0 x8 (IN x16)	PCIe 3.0 x16 Slot (PCIe 3.0 x8 link)
CPU SLOT4/6 PCI-E 3.0 x16	PCIe 3.0 x16 Slots
FAN1 ~ FAN4, FANA	System/CPU Fan Headers
HD AUDIO	High Definition Audio Header
I-SATA2~7	SATA 3.0 Connectors
I-SGPIO1/I-SGPIO2	Serial Link General Purpose I/O Headers
J12/J13	M.2 PCIe 3.0 x4 Slots
JD1	Power LED Indicator/Speaker Header (Pins 1-3: Power LED, Pins 4-7: Speaker)
JF1	Front Control Panel Header
JIPMB1	System Management Bus Header (for IPMI only)
JL1	Chassis Intrusion Header
JNVME1	NVMe Connector (supports two connections)
JNVI2C1	NVMe I2C Header
JPI2C1	Power I2C System Management Bus (Power SMB) Header (for X11SRA-F/-RF only)
JPWR1	+12V 8-pin CPU Power Connector (Required)
JPWR2	24-pin ATX Main Power Connector (Required)
JSD1	SATA Disk-On-Module (DOM) Power Connector
JSTBY1	Standby Power Header
JTBT	Thunderbolt Header
JTPM1	Trusted Platform Module (TPM)/Port 80 Connector
LAN1/LAN2	RJ45 5GbE/1GbE LAN Ports
PCH SLOT1 PCI-E 3.0 x4	PCIe 3.0 x4 Slot
SP1	Internal Speaker/Buzzer



**Note:** The table above is continued on the next page.

<b>Connector</b>	<b>Description</b>
USB 0/1	Back Panel USB 2.0 Ports
USB 2/3, USB 4/5	Front Accessible USB 2.0 Headers
USB 6/7, USB 8/9	Back Panel USB 3.0 Ports
USB 10/11	Front Accessible USB 3.0 Header (Type A)
USB 12/13	Back Panel USB 3.1 Ports
VROC (JRK1)	Intel VROC RAID key header for NVMe SSD
VGA	Back Panel VGA Port

## Motherboard Features

<b>Motherboard Features</b>	
<b>CPU</b>	
<ul style="list-style-type: none"> <li>The X11SRA and X11SRA-F/-RF motherboards support a single Intel Xeon W-21xx and W-22xx series processor in an LGA2066 socket</li> </ul>	
<b>Memory</b>	
<ul style="list-style-type: none"> <li>Supports up to 512GB of RDIMM or 1TB of LRDIMM ECC/Non-ECC DDR4 memory, two DIMMs per channel (2DPC) with speeds of up to 2666MHz or one DIMM per channel (1DPC) with speeds of up to 2933MHz</li> </ul>	
<b>DIMM Size</b>	
<ul style="list-style-type: none"> <li>4GB, 8GB, 16GB, 32GB, 64GB, and 128GB at 1.2V</li> </ul> <p> <b>Note 1:</b> Memory speed support depends on the processors used in the system.</p> <p><b>Note 2:</b> For the latest CPU/memory updates, please refer to our website at <a href="http://www.supermicro.com/products/motherboard">http://www.supermicro.com/products/motherboard</a>.</p>	
<b>Chipset</b>	
<ul style="list-style-type: none"> <li>Intel PCH C422</li> </ul>	
<b>Expansion Slots</b>	
<ul style="list-style-type: none"> <li>Four PCIe 3.0 slots: one x4 slot, one x8 (IN x16) slot, two x16 slots</li> <li>Two M.2 PCIe 3.0 x4 slots</li> </ul>	
<b>Network</b>	
<ul style="list-style-type: none"> <li>Intel i219LM (available on X11SRA)</li> <li>Intel i210AT (available on X11SRA-F/-RF)</li> <li>Aquantia AQC108 (available on all SKUs)</li> </ul>	
<b>Baseboard Management Controller (BMC)</b>	
<ul style="list-style-type: none"> <li>ASPEED AST2500</li> </ul>	
<b>Graphics</b>	
<ul style="list-style-type: none"> <li>Graphics controller via ASPEED AST2500 (Only available on X11SRA-F and X11SRA-RF)</li> </ul>	
<b>Audio</b>	
<ul style="list-style-type: none"> <li>Realtek ALC1220 - HD Audio 7.1 (Only available on X11SRA and X11SRA-F)</li> </ul>	
<b>I/O Devices</b>	
<ul style="list-style-type: none"> <li>Serial (COM) Header</li> <li>SATA 3.0</li> <li>RAID (PCH)</li> </ul>	<ul style="list-style-type: none"> <li>One front accessible serial header (COM1)</li> <li>Six I-SATA 3.0 ports (I-SATA 2~7)</li> <li>RAID 0, 1, 5, and 10</li> </ul>



**Note:** The table above is continued on the next page.

## Motherboard Features

### Peripheral Devices

- Two USB 2.0 ports on the I/O back panel (USB 0/1)
- Four front accessible USB 2.0 connections via two headers (USB 2/3, USB 4/5)
- Four USB 3.0 ports on the back panel (USB 6/7, USB 8/9)
- Two front accessible USB 3.0 connections via one header (USB 10/11)
- Two USB 3.1 ports on the back panel (USB 12/13)

### BIOS

- 256Mb AMI BIOS® SPI Flash BIOS
- Plug and Play (PnP), SPI dual/quad speed support, real time clock (RTC) wakeup, DMI 3.0, ACPI 3.0+, USB Keyboard, BIOS rescue hot-key, and SMBIOS 2.7+

### Power Management

- ACPI power management
- CPU fan auto-off in sleep mode
- Power button override mechanism
- Power-on mode for AC power recovery

### System Health Monitoring

- Onboard voltage monitors for CPU cores, +3.3V, +5V, +/-12V, +3.3V Stby, +5V Stby, VBAT, Memory, PCH temperature, system temperature, and memory temperature
- CPU 5+1 phase switching voltage regulator
- CPU/System overheat control
- CPU Thermal Trip support

### Fan Control

- Fan status monitoring with firmware 4-pin fan speed control via IPMI or SIO (X11SRA) interface
- Multi-speed fan control via onboard BMC

### System Management

- PECCI (Platform Environment Control Interface) 3.1 support
- IPMI 2.0 with KVM support
- SuperDoctor® 5, Watch Dog, NMI
- Chassis Intrusion header and detection
- Power supply monitoring

### LED Indicators


- Power LED

### Other

- RoHS

### Dimensions

- ATX form factor (12.0" x 9.6") (304.80 mm x 243.84 mm)

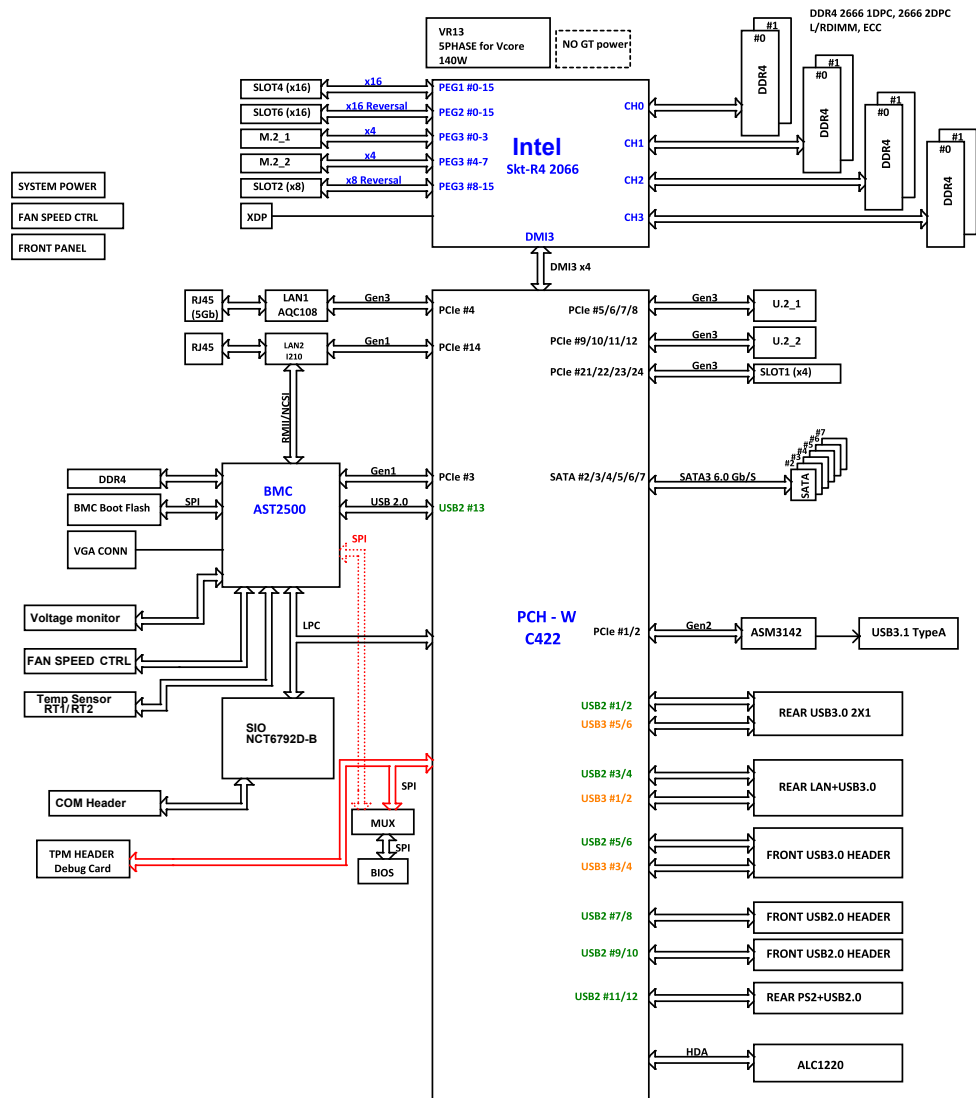
 **Note 1:** The CPU maximum thermal design power (TDP) is subject to chassis and heatsink cooling restrictions. For proper thermal management, please check the chassis and heatsink specifications for proper CPU TDP sizing.


**Note 2:** For IPMI configuration instructions, please refer to the Embedded IPMI Configuration User's Guide available at <http://www.supermicro.com/support/manuals/>.

**Note 3:** If you purchase a Supermicro Out of Band (OOB) software license key (Supermicro P/N: SFT-OOB-LIC), please DO NOT change the IPMI MAC address.



**Figure 1-3.  
Chipset Block Diagram**



 **Note:** This is a general block diagram and may not exactly represent the features on your motherboard. Refer to the previous pages for the actual specifications of your motherboard.

## 1.2 Processor and Chipset Overview

The X11SRA and X11SRA-F/-RF motherboards support a single Intel Xeon W-21xx and W-22xx series processor in the LGA2066 socket. With the Intel C422 PCH, the X11SRA/-F/-RF is a high-end, multi-GPU workstation motherboard that offers reliability and stability. It offers the latest high-performance features such as NVMe, M.2/U.2 storage interfaces, and DDR4 memory with speeds of up to 2933MHz (1DPC).

The X11SRA/-F/-RF supports the following features:

- ACPI Power Management Logic Support Rev. 4.0a
- Intel Turbo Boost Technology
- Configurable TDP (cTDP) and Lower-Power Mode
- Adaptive Thermal Management/Monitoring
- PCIe 3.0, SATA 3.0, NVMe, U.2 and M.2 connectors
- System Management Bus (SMBus) Specification Version 2.0
- Intel Trusted Execution Technology (Intel TXT)
- Intel Rapid Storage Technology
- Intel Virtualization Technology for Directed I/O (Intel VT-d)

## 1.3 Special Features

This section describes the health monitoring features of the X11SRA/-F/-RF motherboard. The motherboard has an onboard System Hardware Monitor chip that supports system health monitoring.

### Recovery from AC Power Loss

The Basic I/O System (BIOS) provides a setting that determines how the system will respond when AC power is lost and then restored to the system. You can choose for the system to remain powered off (in which case you must press the power switch to turn it back on), or for it to automatically return to the power-on state. Refer to the [Advanced BIOS Setup section](#) for this setting. The default setting is **Last State**.

## 1.4 System Health Monitoring

The motherboard has an onboard Baseboard Management Controller (BMC) chip that supports system health monitoring.

### Onboard Voltage Monitors

The onboard voltage monitor will continuously scan crucial voltage levels. Once a voltage becomes unstable, it will give a warning or send an error message to the screen. Users can adjust the voltage thresholds to define the sensitivity of the voltage monitor. Real time readings of these voltage levels are all displayed in BIOS.

### Fan Status Monitor with Firmware Control

The system health monitor chip can check the RPM status of a cooling fan. The CPU and chassis fans are controlled by BIOS Thermal Management through the back panel.

### Environmental Temperature Control

System Health sensors monitor temperatures and voltage settings of onboard processors and the system in real time via the IPMI interface. Whenever the temperature of the CPU or the system exceeds a user-defined threshold, system/CPU cooling fans will be turned on to prevent the CPU or the system from overheating



**Note:** To avoid possible system overheating, please provide adequate airflow to your system.

### System Resource Alert

This feature is available when used with SuperDoctor 5 in the Windows® OS or in the Linux® environment. SuperDoctor is used to notify the user of certain system events. For example, you can configure SuperDoctor to provide you with warnings when system temperatures, CPU temperatures, voltages, and fan speeds go beyond a predefined range.

## 1.5 ACPI Features

ACPI stands for Advanced Configuration and Power Interface. The ACPI specification defines a flexible and abstract hardware interface that provides a standard way to integrate power management features throughout a computer system, including its hardware, operating system, and application software. This enables the system to automatically turn on and off peripherals such as CD-ROMs, network cards, hard disk drives, and printers.

In addition to enabling operating system-directed power management, ACPI also provides a generic system event mechanism for Plug and Play, and an operating system-independent interface for configuration control. ACPI leverages the Plug and Play BIOS data structures, while providing a processor architecture-independent implementation that is compatible with Windows 7, Windows 8, and Windows 2012 Operating Systems.

## 1.6 Power Supply

As with all computer products, a stable power source is necessary for proper and reliable operation. It is even more important for processors that have high CPU clock rates.

The X11SRA/F/-RF motherboard accommodates a 24-pin ATX power supply. Although most power supplies generally meet the specifications required by the CPU, some are inadequate. In addition, one 12V 8-pin power connection is also required to ensure adequate power supply to the system.



**Warning:** To avoid damaging the power supply or the motherboard, be sure to use power supplies that contain 24-pin and 8-pin power connectors. Be sure to connect the power supplies to the 24-pin power connector (JPWR2) and the 8-pin power connector (JPWR1) on the motherboard. Failure in doing so may void the manufacture warranty on your power supply and motherboard.

It is strongly recommended that you use a high quality power supply that meets ATX power supply Specification 2.02 or above. It must also be SSI compliant. Additionally, in areas where noisy power transmission is present, you may choose to install a line filter to shield the computer from noises. It is recommended that you also install a power surge protector to help avoid problems caused by power surges.

## 1.7 Serial Port

The X11SRA/F/-RF motherboard supports one serial communication connection. COM1 header can be used for input/output. The UART provides legacy speeds with a baud rate of up to 115.2 Kbps as well as an advanced speed with baud rates of 250 K, 500 K, or 1 Mb/s, which support high-speed serial communication devices.

# Chapter 2

## Installation

### 2.1 Static-Sensitive Devices

Electrostatic Discharge (ESD) can damage electronic components. To prevent damage to your motherboard, it is important to handle it very carefully. The following measures are generally sufficient to protect your equipment from ESD.

#### Precautions

- Use a grounded wrist strap designed to prevent static discharge.
- Touch a grounded metal object before removing the board from the antistatic bag.
- Handle the board by its edges only; do not touch its components, peripheral chips, memory modules, or gold contacts.
- When handling chips or modules, avoid touching their pins.
- Put the motherboard and peripherals back into their antistatic bags when not in use.
- For grounding purposes, make sure your computer chassis provides excellent conductivity between the power supply, the case, the mounting fasteners, and the motherboard.
- Use only the correct type of onboard CMOS battery. Do not install the onboard battery upside down to avoid possible explosion.

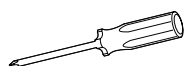
#### Unpacking

The motherboard is shipped in antistatic packaging to avoid static damage. When unpacking the motherboard, make sure that the person handling it is static protected.

## 2.2 Motherboard Installation

All motherboards have standard mounting holes to fit different types of chassis. Make sure that the locations of all the mounting holes for both the motherboard and the chassis match. Although a chassis may have both plastic and metal mounting fasteners, metal ones are highly recommended because they ground the motherboard to the chassis. Make sure that the metal standoffs click in or are screwed in tightly.

### Tools Needed



Phillips Screwdriver (1)

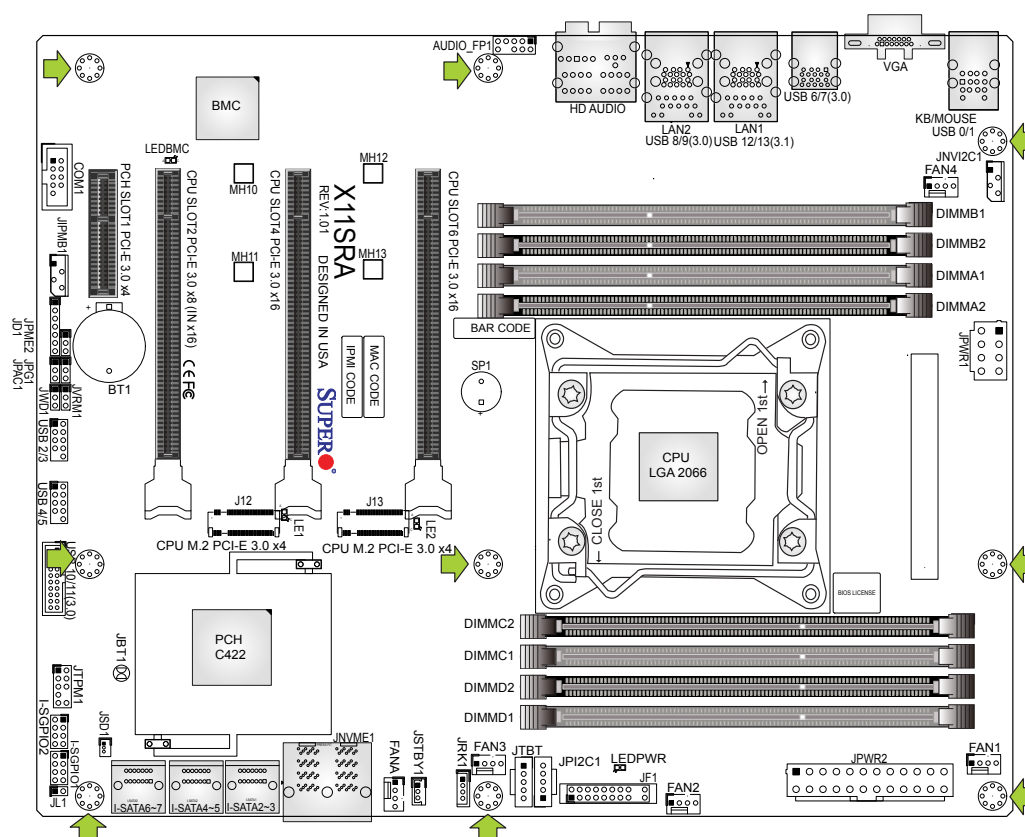


Phillips Screws (9)



Standoffs (9)  
Only if Needed

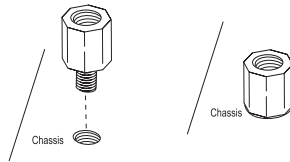
### Location of Mounting Holes



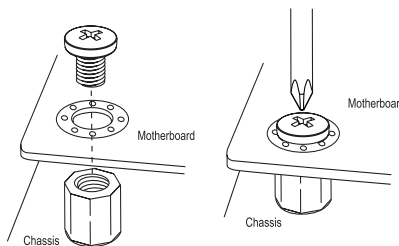
- Notes:**
1. To avoid damaging the motherboard and its components, please do not use a force greater than 8 lb/inch on each mounting screw during motherboard installation.
  2. Some components are very close to the mounting holes. Please take precautionary measures to avoid damaging these components when installing the motherboard to the chassis.

## Installing the Motherboard


1. Locate the mounting holes on the motherboard. Refer to the previous page for the location.



2. Locate the matching mounting holes on the chassis. Align the mounting holes on the motherboard against the mounting holes on the chassis.



3. Install standoffs in the chassis as needed.
4. Install the motherboard into the chassis carefully to avoid damaging other motherboard components.
5. Using the Phillips screwdriver, insert a Phillips head #6 screw into a mounting hole on the motherboard and its matching mounting hole on the chassis.
6. Repeat Step 5 to insert #6 screws into all mounting holes.
7. Make sure that the motherboard is securely placed in the chassis.

 **Note:** Images displayed are for illustration only. Your chassis or components might look different from those shown in this manual.

## 2.3 Processor and Heatsink Installation

**Warning:** When handling the processor package, avoid placing direct pressure on the label area of the fan.

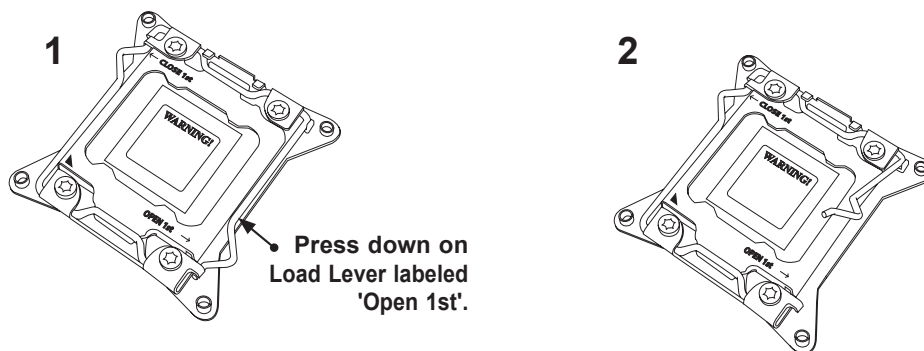


### Important:

- Always connect the power cord last, and always remove it before adding, removing, or changing any hardware components. Make sure that you install the processor into the CPU socket before you install the CPU heatsink.
- If you buy a CPU separately, make sure that you use an Intel-certified multi-directional heatsink only.
- Make sure to install the motherboard into the chassis before you install the CPU heatsink.
- When receiving a motherboard without a processor pre-installed, make sure that the plastic CPU socket cap is in place and none of the socket pins are bent; otherwise, contact your retailer immediately.
- Refer to the Supermicro website for updates on CPU support.

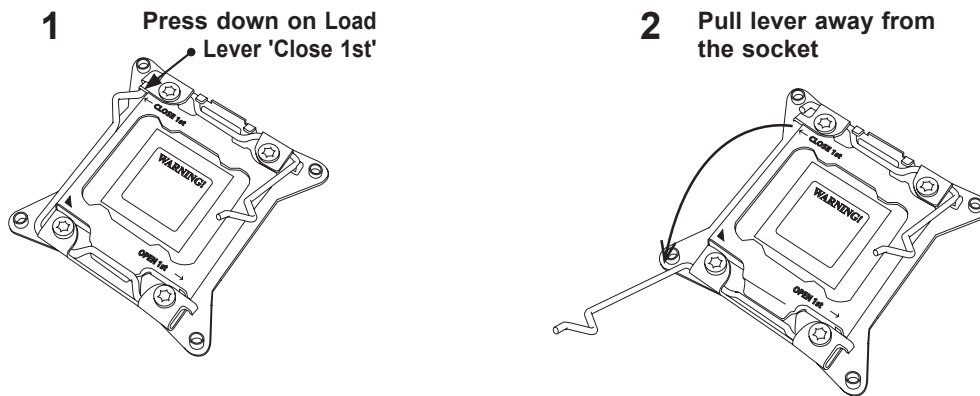
### Installing a CPU

1. There are two load levers on the LGA2066 socket. To open the socket cover, press and release the load lever labeled "Open 1st".

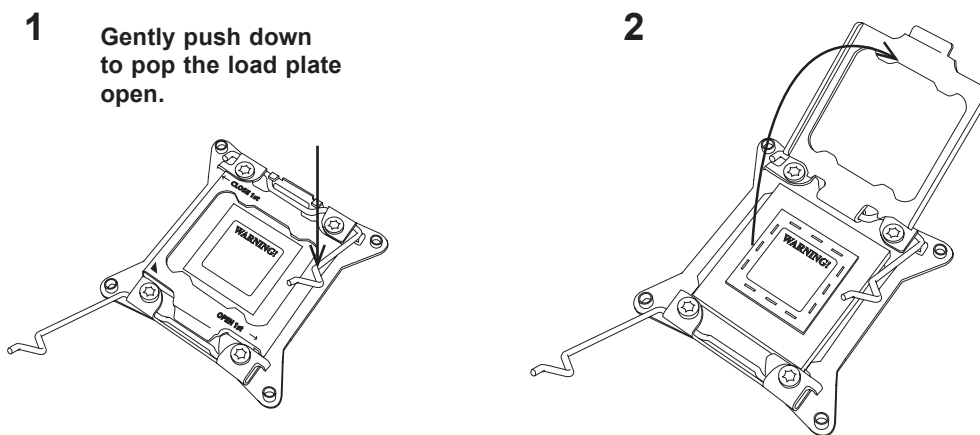




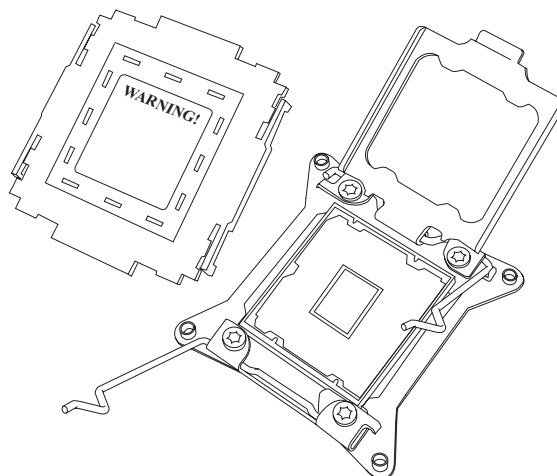
2. Press the second load lever labeled "Close 1st" to release the load plate that covers the CPU socket from its locking position.



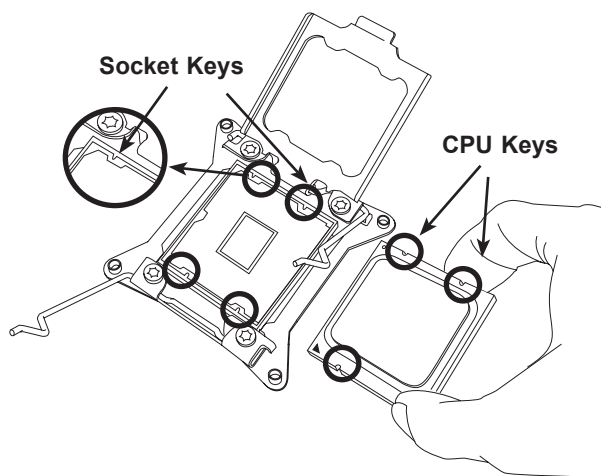
3. With the "Close 1st" lever fully retracted, gently push down on the "Open 1st" lever to open the load plate. Lift the load plate to open it completely.



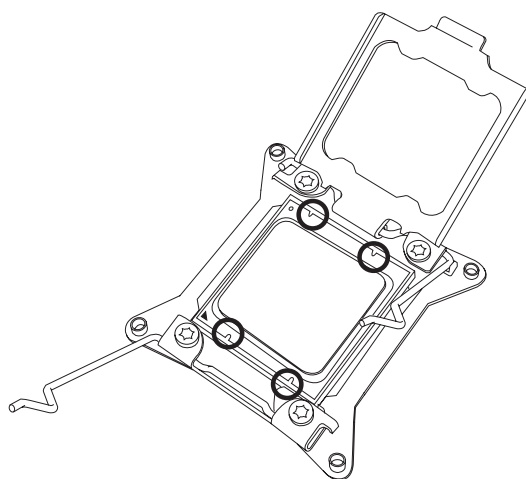
4. Remove the plastic cap labeled WARNING from the socket



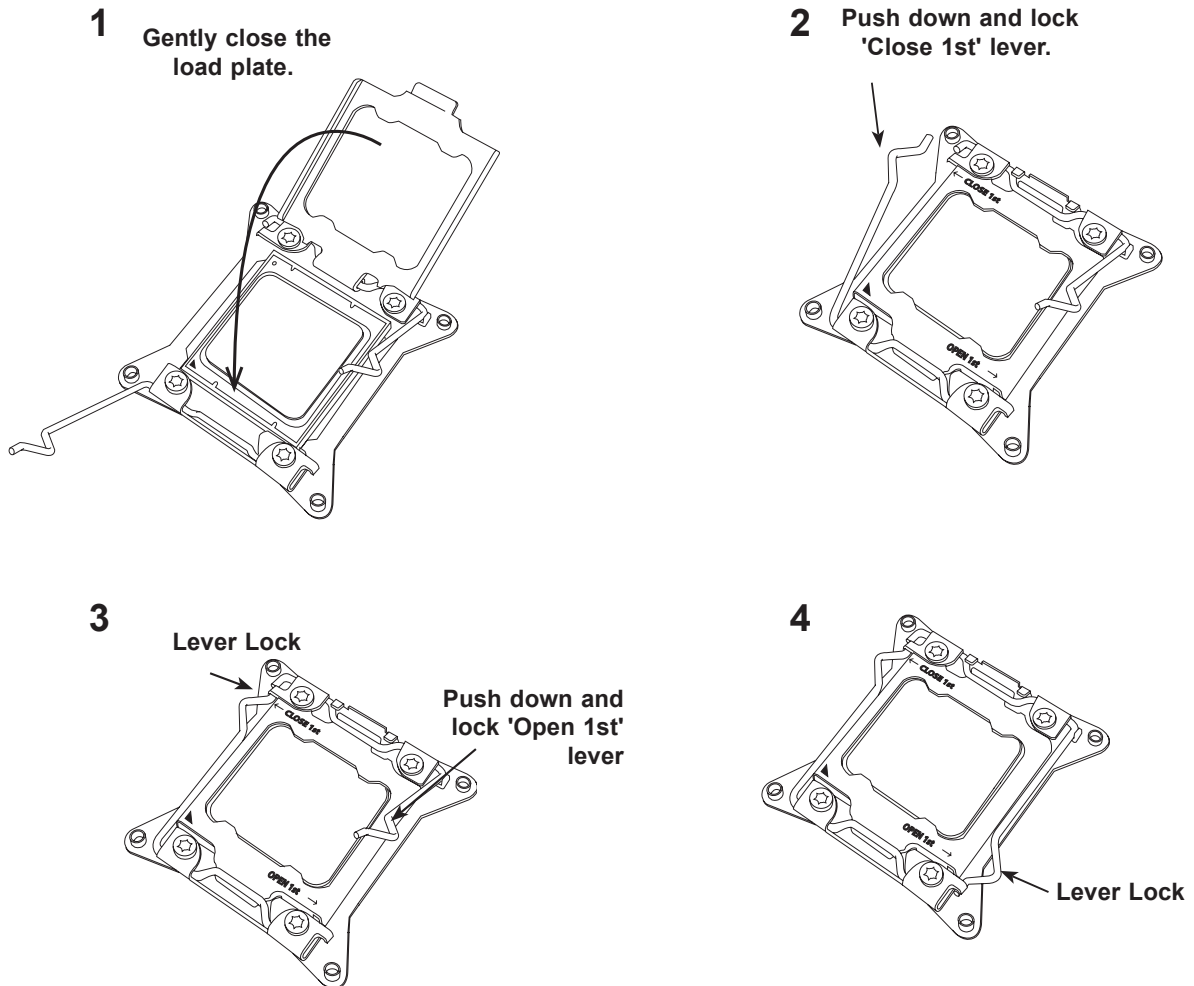
5. Use your thumb and index finger to hold the CPU on its edges. Align the CPU keys, which are semi-circle cutouts, against the socket keys.



6. Once they are aligned, carefully lower the CPU straight down into the socket. To avoid damaging the CPU or socket, do not drop the CPU onto the socket, move it horizontally or vertically, or rub it against the socket pins.
7. With the CPU inside the socket, inspect the four corners of the CPU to make sure that it is properly installed.

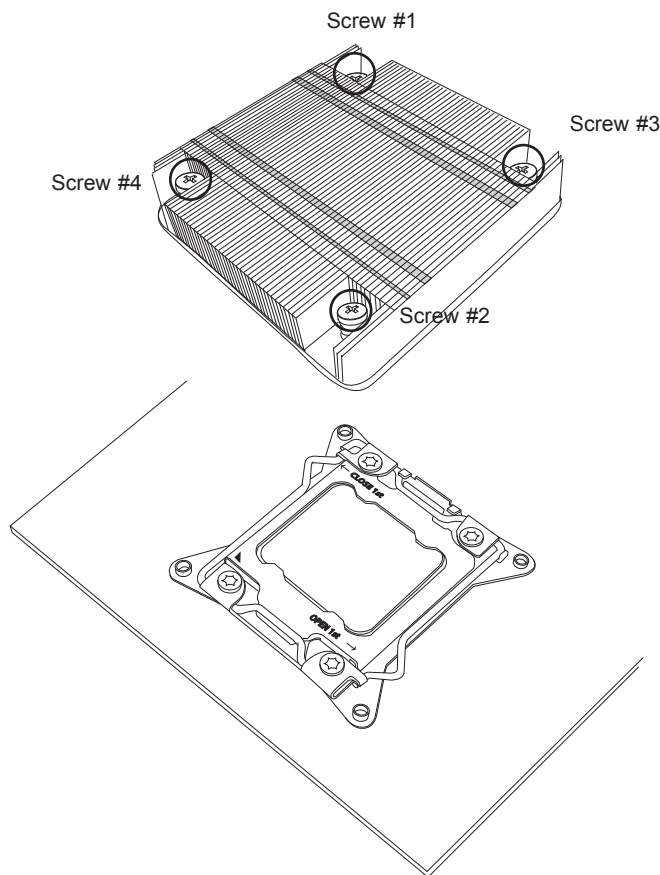



8. Close the load plate with the CPU inside the socket. Lock the "Close 1st" lever first, then lock the "Open 1st" lever second. Gently push the load levers down to the lever locks.



## Installing a CPU Heatsink

1. Apply the proper amount of thermal grease to the heatsink.
2. Place the heatsink on top of the CPU so that the two mounting holes on the heatsink are aligned with those on the retention mechanism. Tighten the screws in the following order:

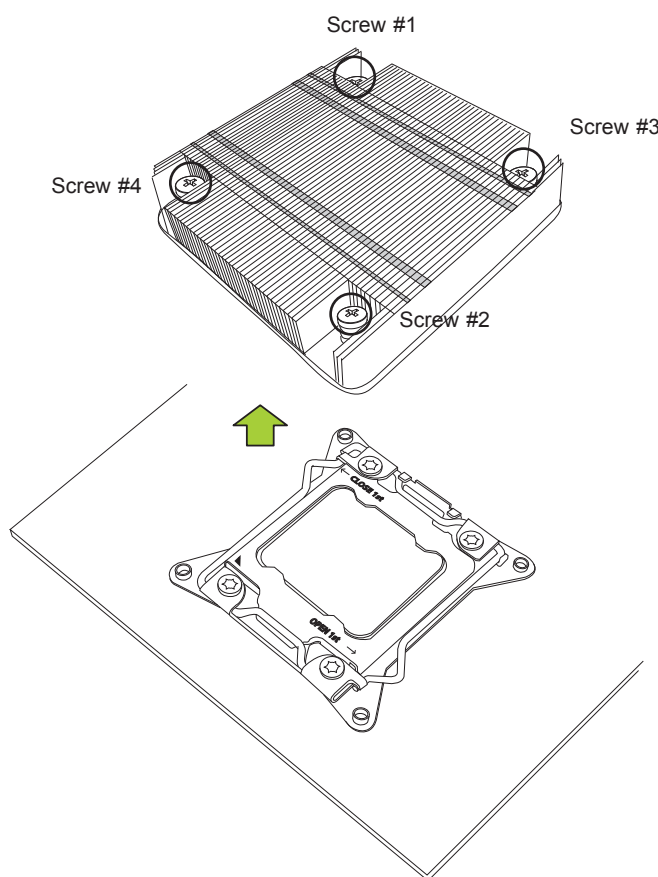


 **Note:** Graphic drawings included in this manual are for reference only. They might look different from the components installed in your system.

## Removing a Heatsink

**Warning:** We do not recommend that the CPU or the heatsink be removed. However, if you do need to remove the heatsink, please follow the instructions below to uninstall the heatsink to avoid damaging the CPU or other components.

1. Unplug the power cord from the power supply.
2. Loosen the screws in the order below.
3. Gently wriggle the heatsink to loosen it. Do not use excessive force when wriggling the heatsink.



4. Once the heatsink is loosened, remove it from the motherboard.

## 2.4 Memory Support and Installation



**Note:** Check the Supermicro website for recommended memory modules.



**Important:** Exercise extreme care when installing or removing DIMM modules to prevent any possible damage.

### Memory Support

The X11SRA/-F/-RF motherboard supports up to 512GB of RDIMM or 1TB of LRDIMM ECC DDR4 memory with speeds of up to 2933MHz (1DPC) in eight memory slots. Populating these DIMM slots with memory modules of the same type and size will result in interleaved memory, which will improve memory performance.

### DIMM Module Population Configuration

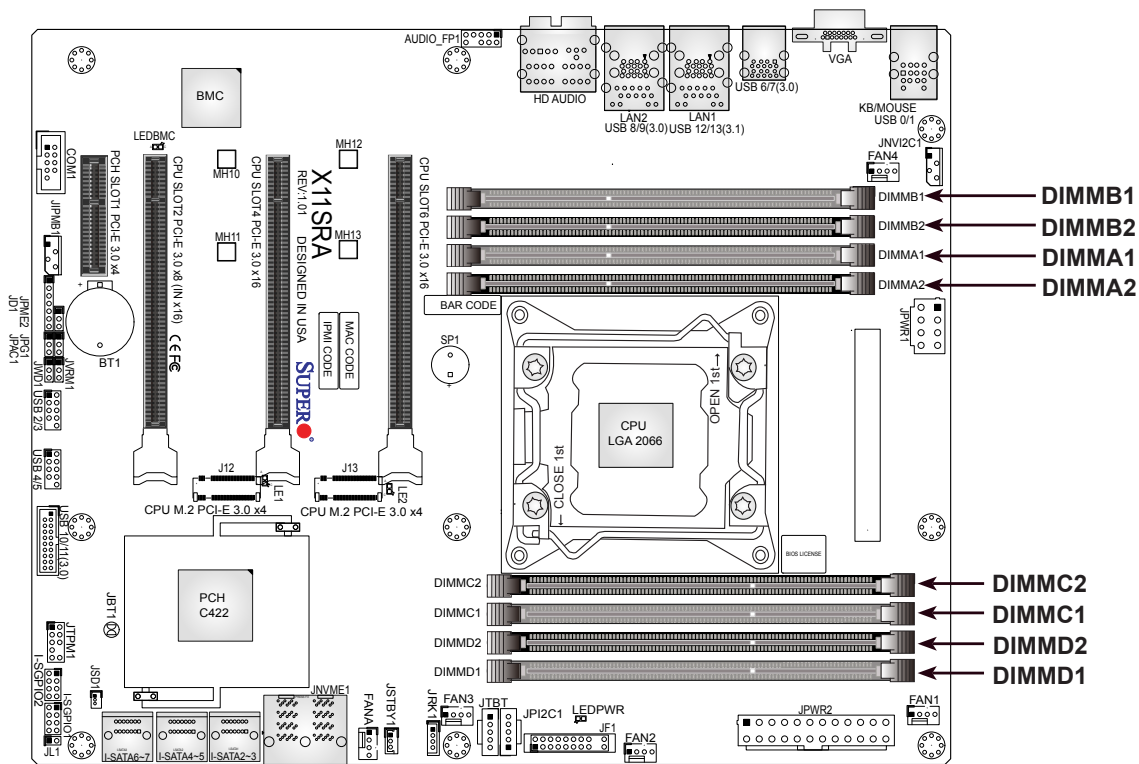
For optimal memory performance, follow the table below when populating memory.

Memory Population (Balanced)								
DIMMA1	DIMMB1	DIMMC1	DIMMD1	DIMMA2	DIMMB2	DIMMC2	DIMMD2	Total System Memory
4GB	4GB							8GB
4GB	4GB	4GB	4GB					16GB
4GB	4GB	4GB	4GB	4GB	4GB	4GB	4GB	32GB
8GB	8GB	8GB	8GB	8GB	8GB	8GB	8GB	64GB
32GB	32GB	32GB	32GB					128GB
32GB	32GB	32GB	32GB	32GB	32GB	32GB	32GB	256GB
64GB	64GB	64GB		64GB	64GB	64GB		384GB
64GB	64GB	64GB	64GB	64GB	64GB	64GB	64GB	512GB
128GB	128GB	128GB	128GB	128GB	128GB	128GB	128GB	1024GB

## DIMM Module Population Sequence

When installing memory modules, the DIMM slots should be populated in the following order: DIMMA1, DIMMB1, DIMMC1, DIMMD1, then DIMMA2, DIMMB2, DIMMC2, DIMMD2.

- Always use DDR4 DIMM modules of the same type, size, and speed.
- Mixed DIMM speeds can be installed. However, all DIMMs will run at the speed of the slowest DIMM.
- The motherboard will support odd-numbered modules (one or three modules installed). However, for best memory performance, install DIMM modules in pairs to activate memory interleaving.

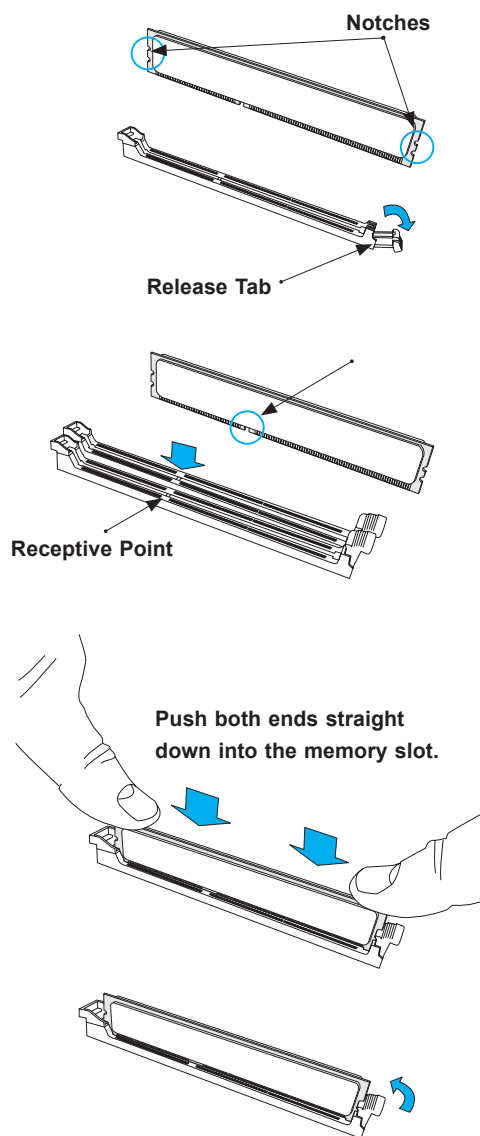
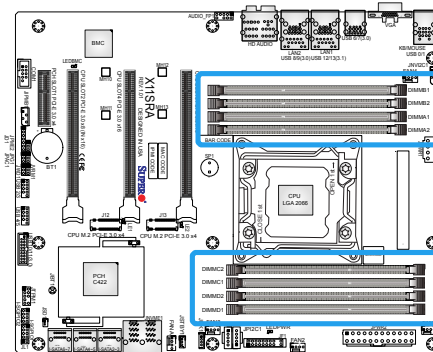


## DIMM Installation

1. Insert the desired number of DIMMs into the memory slots, starting with DIMMA1, DIMMB1, DIMMC1, DIMMD1, then DIMMA2, DIMMB2, DIMMC2, DIMMD2. For best performance, please use the memory modules of the same type and speed.
2. Push the release tab outwards on the end of the DIMM slot to unlock it.
3. Align the key of the DIMM module with the receptive point on the memory slot.
4. Align the notches on both ends of the module against the receptive points on the ends of the slot.
5. Use two thumbs together to press the DIMM module straight down into the slot until the module snaps into place.
6. Push the release tab into the lock position and secure the DIMM module into the slot.

## DIMM Removal

Press the release tab on the end of the DIMM module to unlock it. Once the DIMM module is loosened, remove it from the memory slot.





## 2.5 Rear I/O Ports

Refer to Figure 2-1 below for the locations and descriptions of the various I/O ports on the rear of the motherboard.

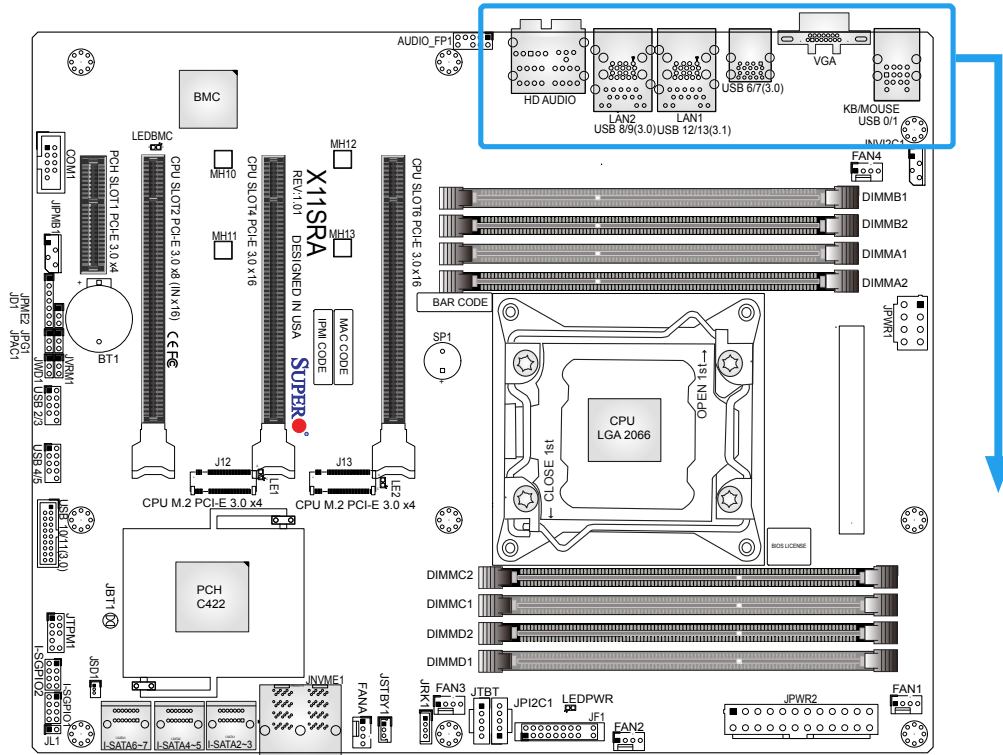
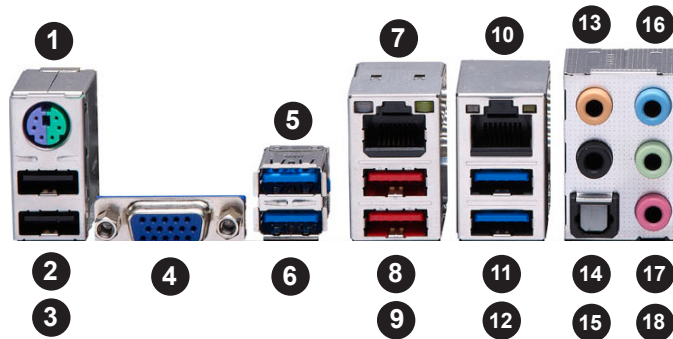


Figure 2-1. I/O Port Locations and Definitions



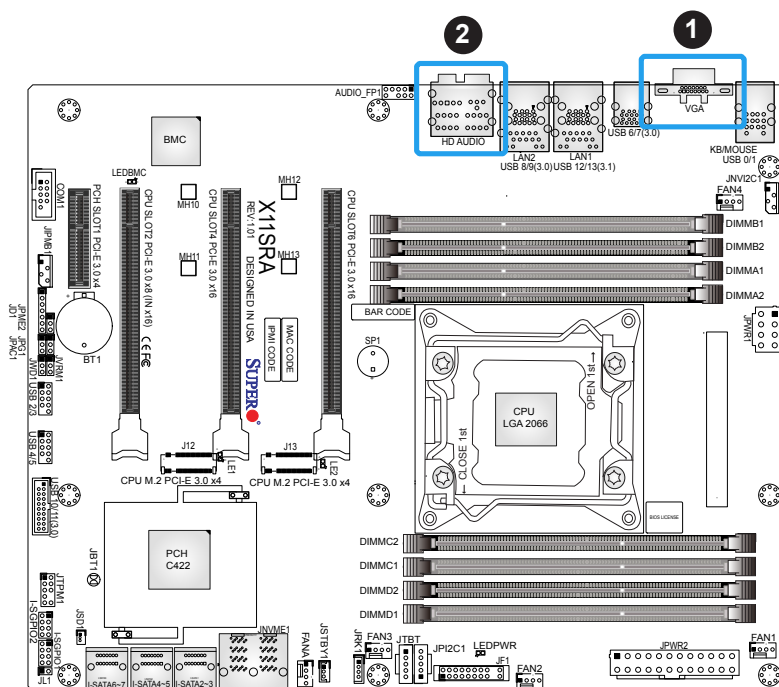
Rear I/O Ports							
#	Description	#	Description	#	Description	#	Description
1.	PS2 KB/Mouse	6.	USB6 (3.0)	11.	USB9 (3.0)	16.	Line In
2.	USB1	7.	LAN1	12.	USB8 (3.0)	17.	Line Out
3.	USB0	8.	USB13 (3.1)	13.	CEN/LFE Out	18.	Mic In
4.	VGA Port	9.	USB12 (3.1)	14.	Surround Out		
5.	USB7 (3.0)	10.	LAN2	15.	SPDIF Out		

## VGA Port

A VGA video port is located next to USB0/1 on the I/O back panel. Refer to the motherboard layout below for the location.

## High Definition Audio

This motherboard features a 7.1+2 Channel High Definition Audio (HDA) codec that provides 10 DAC channels. The HD Audio connections simultaneously supports multiple-streaming 7.1 sound playback with two channels of independent stereo output through the front panel stereo out for front, rear, center, and subwoofer speakers. To enable this function, find the product webpage from <http://www.supermicro.com/products/motherboard> for your motherboard to download the latest driver and utility.



1. VGA Port
2. HD Audio

## Universal Serial Bus (USB) Ports

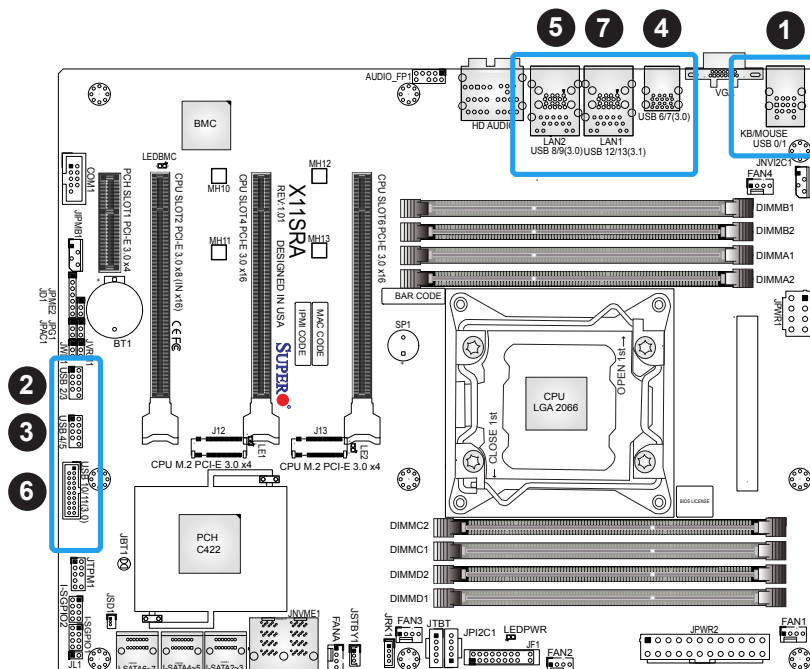
This motherboard supports a total of eight USB ports located on the I/O back panel and three USB headers for front access. The USB ports on the I/O back panel are two USB 2.0 ports (USB 0/1), four USB 3.0 ports (USB 6/7, 8/9), and two USB 3.1 ports (USB 12/13). There are two front access USB 2.0 headers (USB 2/3, USB 4/5) and one USB 3.0 header (USB 10/11). The onboard headers can be used to provide front side USB access with a cable (not included).

Back Panel USB 0/1 (2.0) Pin Definitions			
Pin#	Definition	Pin#	Definition
1	GND	5	GND
2	USB_P	6	USB_P
3	USB_N	7	USB_N
4	+5V	8	+5V

Front Panel USB 10/11 (3.0) Pin Definitions			
Pin#	Definition	Pin#	Definition
1	VBUS	19	Power
2	Stda_SSRX-	18	USB3_RN
3	Stda_SSRX+	17	USB3_RP
4	GND	16	GND
5	Stda_SSRX-	15	USB3_TN
6	Stda_SSRX+	14	USB3_TP
7	GND	13	GND
8	D-	12	USB_N
9	D+	11	USB_P
10	GND	X	

Front Panel USB 2/3, 4/5 (2.0) Pin Definitions			
Pin#	Definition	Pin#	Definition
1	+5V	2	+5V
3	USB_N	4	USB_N
5	USB_P	6	USB_P
7	Ground	8	Ground
9	Key	10	NC

Back Panel USB 6/7, 8/9 (3.0), 12/13 (3.1) Pin Definitions			
Pin#	Definition	Pin#	Definition
A1	VBUS	B1	Power
A2	D-	B2	USB_N
A3	D+	B3	USB_P
A4	GND	B4	GND
A5	Stda_SSRX-	B5	USB3_RN
A6	Stda_SSRX+	B6	USB3_RP
A7	GND	B7	GND
A8	Stda_SSTX-	B8	USB3_TN
A9	Stda_SSTX+	B9	USB3_TP

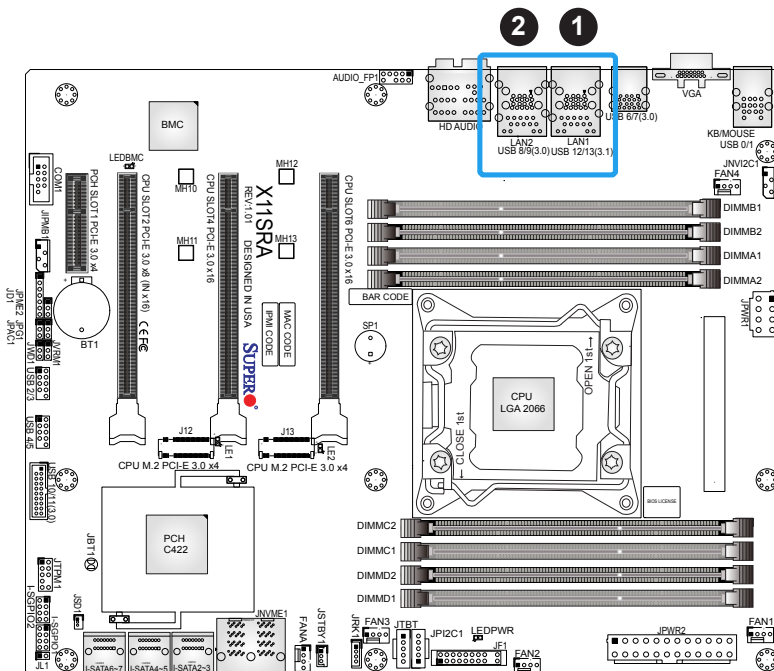


1. USB 0/1
2. USB 2/3
3. USB 4/5
4. USB 6/7
5. USB 8/9
6. USB 10/11
7. USB 12/13

## LAN Ports

The motherboard has one 5GbE and one 1GbE RJ45 port (LAN1/LAN2) on the I/O back panel. These ports accept RJ45 cables. Please refer to [Section 2.9](#) for LAN LED information.

LAN1/LAN2 Port Pin Definitions			
Pin#	Definition	Pin#	Definition
1	TX_D1+	5	BI_D3-
2	TX_D1-	6	RX_D2-
3	RX_D2+	7	BI_D4+
4	BI_D3+	8	BI_D4-



1. LAN1
2. LAN2

## 2.6 Front Control Panel

JF1 contains header pins for various buttons and indicators that are normally located on a control panel at the front of the chassis. These connectors are designed specifically for use with Supermicro chassis. Refer to the figure below for the descriptions of the front control panel buttons and LED indicators.

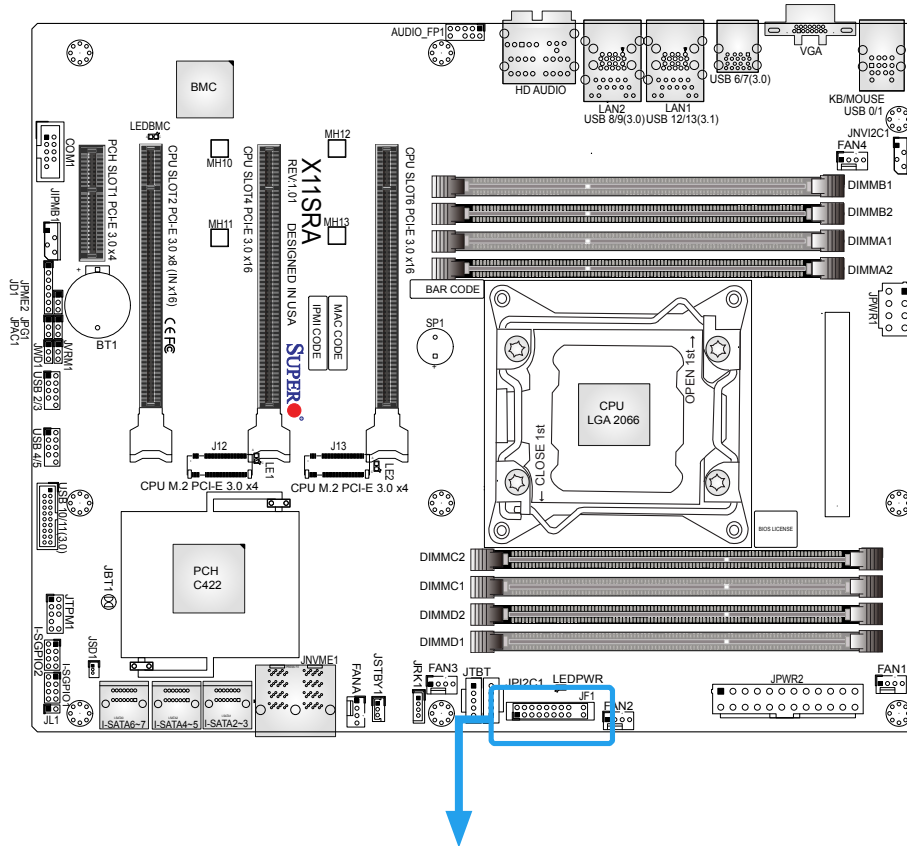


Figure 2-2. JF1 Header Pins

	1	2	
Power Button	PWR	○	Ground
Reset Button	Reset	○	Ground
	3.3 V	○	Power Fail LED
Red+ (Blue LED Cathode)	○	○	Blue+ (OH/Fan Fail)
3.3V Stby	○	○	NIC2 Activity LED
3.3V Stby	○	○	NIC1 Activity LED
3.3V Stby	○	○	HDD LED
3.3V	○	○	PWR LED
X	○	○	X
NMI	○	○	Ground
	19	20	

### Power Button

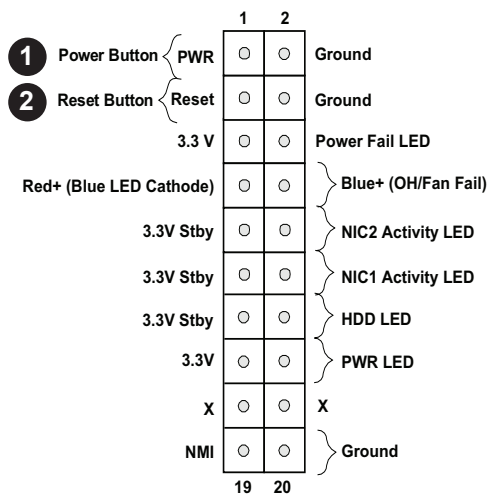
The Power Button connection is located on pins 1 and 2 of JF1. Momentarily contacting both pins will power on/off the system. This button can also be configured to function as a suspend button (with a setting in the BIOS - refer to [Chapter 4](#)). To turn off the power when the system is in the suspend mode, press the button for four seconds or longer. Refer to the table below for pin definitions.

Power Button Pin Definitions (JF1)	
Pin#	Definition
1	Signal
2	Ground

### Reset Button

The Reset Button connection is located on pins 3 and 4 of JF1. Attach it to a hardware reset switch on the computer case. Refer the table below for pin definitions.

Reset Button Pin Definitions (JF1)	
Pin#	Definition
3	Reset
4	Ground



1. Power Button
2. Reset Button

## Power Fail LED

The Power Fail LED connection is located on pins 5 and 6 of JF1. Refer to the table below for pin definitions.

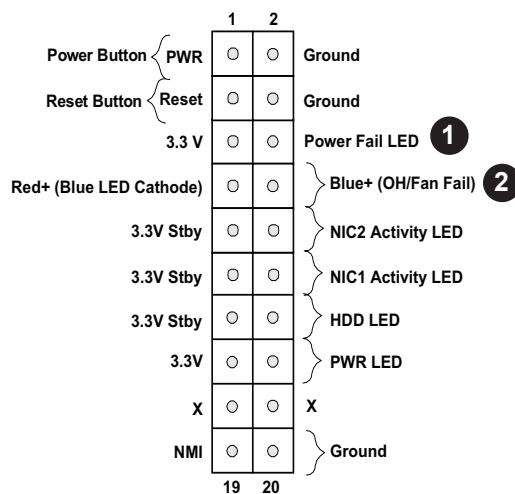
Power Fail LED Pin Definitions (JF1)	
Pins	Definition
5	3.3V
6	Power Fail

## Overheat (OH)/Fan Fail LED

Connect an LED cable to pins 7 and 8 of the Front Control Panel to use the Overheat/Fan Fail LED connections. The LED on pin 8 provides warnings of overheat and fan failure. Refer to the tables below for pin definitions.

Overheat/Fan Fail Indicator Status	
State	Definition
Off	Normal
On	Overheat
Flashing	Fan Fail

Overheat/Fan Fail LED Pin Definitions (JF1)	
Pin#	Definition
7	Blue LED
8	OH/Fan Fail LED



1. Power Fail LED
2. OH/Fan Fail LED

### NIC1/NIC2 (LAN1/LAN2) LED

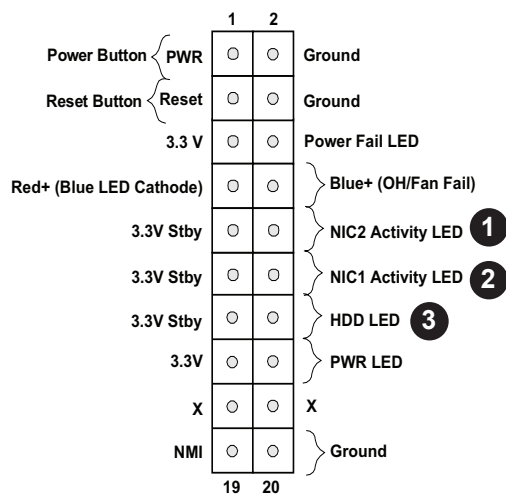
The NIC (Network Interface Controller) LED connection for LAN port 1 is located on pins 11 and 12 of JF1, and the LED connection for LAN port 2 is on pins 9 and 10. Attach the NIC LED cables here to display network activity. Refer to the table below for pin definitions.

LAN1/LAN2 LED Pin Definitions (JF1)	
Pin#	Definition
9	Pull up to +3.3 Stby
10	NIC2 Activity LED
11	Pull up to +3.3 Stby
12	NIC1 Activity LED

### HDD LED

The HDD LED connection is located on pins 13 and 14 of JF1. Attach a cable to these pins to show hard drive activity status. Refer to the table below for pin definitions.

HDD LED Pin Definitions (JF1)	
Pin#	Definition
13	3.3V Stdby
14	HDD Active



1. NIC2 LED
2. NIC1 LED
3. HDD LED



## Power LED

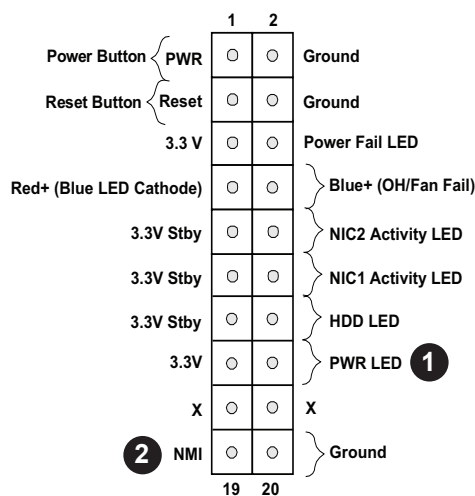
The Power LED connection is located on pins 15 and 16 of JF1. Refer to the table below for pin definitions.

Power LED Pin Definitions (JF1)	
Pin#	Definition
15	3.3V
16	PWR LED

## NMI Button

The non-maskable interrupt button header is located on pins 19 and 20 of JF1. Refer to the table below for pin definitions.

NMI Button Pin Definitions (JF1)	
Pin#	Definition
19	Control
20	Ground



1. PWR LED
2. NMI Button



## 8-Pin Power Connector

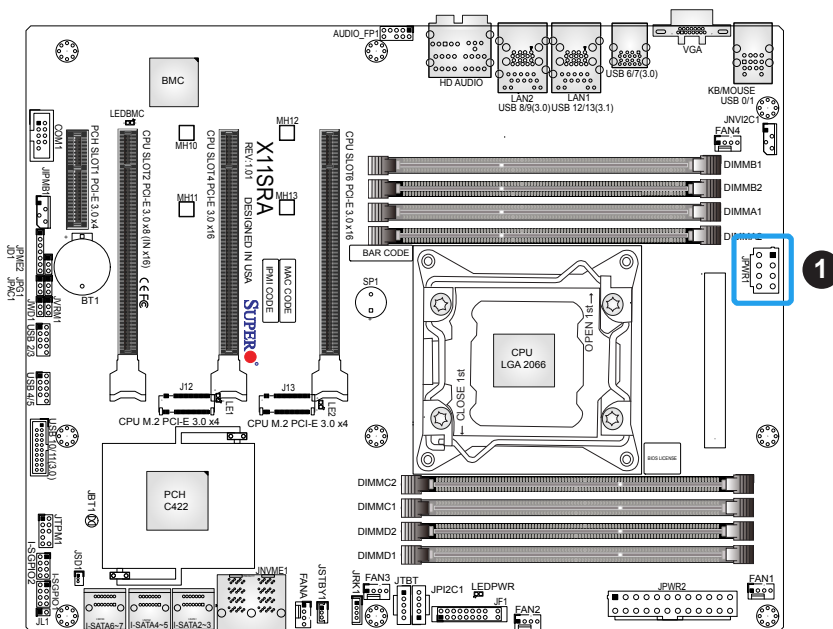
The +12V 8-pin Power Connector located at JPWR1 must also be connected to the power supply. This connector is used to power the processor.

+12V 8-pin Power Connector Pin Definitions	
Pin#	Definition
1 - 4	Ground
5 - 8	+12V

### Required Connection



**Important:** To provide adequate power supply to the motherboard, connect the 24-pin ATX PWR and the 8-pin PWR connectors to the power supply. Failure to do so may void the manufacturer warranty on your power supply and motherboard.



1. 8-pin PWR Connector (Required)

## Headers

### Fan Headers

The X11SRA-F/-RF has five fan headers (FAN1 ~ FAN4, FANA). All of these 4-pin fan headers are backwards-compatible with the traditional 3-pin fan headers. However, fan speed control is available for 4-pin fan headers only by Thermal Management via the IPMI 2.0 interface. Refer to the table below for pin definitions.

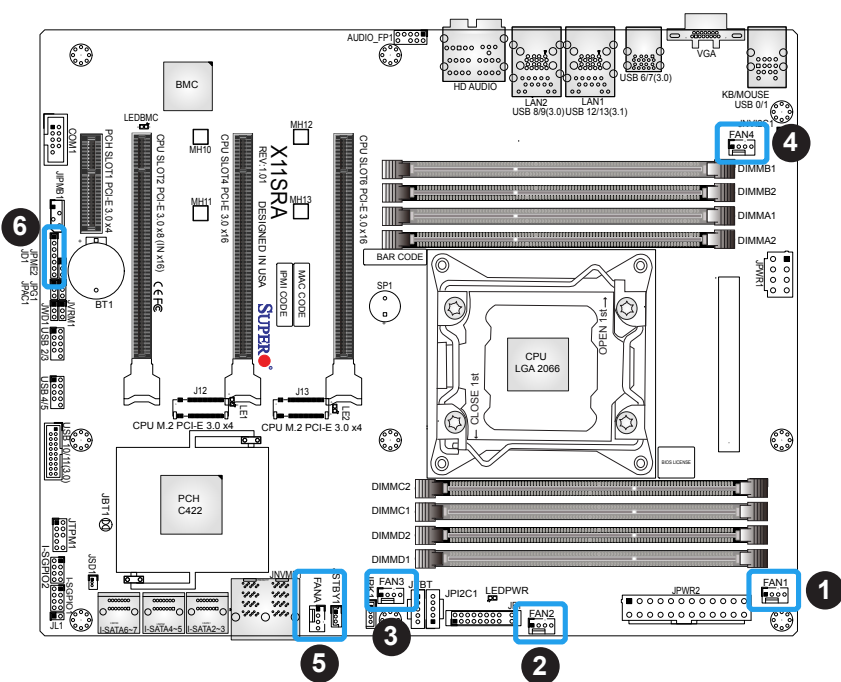
Fan Header Pin Definitions	
Pin#	Definition
1	Ground (Black)
2	2.5A/+12V (Red)
3	Tachometer
4	PWM_Control

### Power LED Indicator/Speaker Header

Pins 1-3 of JD1 are used for power LED indicator, and pins 4-7 are for the speaker. Please note that pins 4-7 are used with an external speaker. If you wish to use the onboard speaker, you should close pins 6-7 with a cap. Refer to the tables below for pin definitions.

PWR LED Indicator Pin Definitions	
Pin#	Definition
1	VCC
2	FP_PWR_LED
3	FP_PWR_LED

Speaker Header Pin Definitions	
Pin#	Definition
4	P5V
5	Key
6	R_SPKPIN_N
7	R_SPKPIN



1. FAN1
2. FAN2
3. FAN3
4. FAN4
5. FANA
6. Speaker/Buzzer Header

## Chassis Intrusion Header

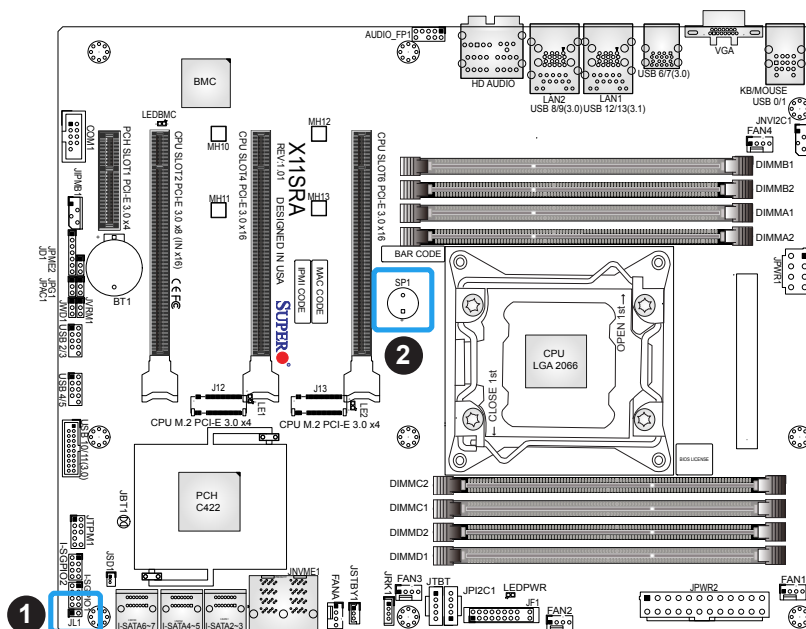
A Chassis Intrusion header is located at JL1 on the motherboard. Attach the appropriate cable from the chassis to inform you of a chassis intrusion when the chassis is opened. Refer to the table below for pin definitions.

Chassis Intrusion Header Pin Definitions	
Pin#	Definition
1	Intrusion Input
2	Ground

## Internal Speaker/Buzzer

The Internal Speaker/Buzzer (SP1) can be used to provide audible notifications using various beep codes. Refer to the table below for pin definitions.

Internal Speaker/Buzzer Pin Definitions		
Pin#	Definition	
1	Pos (+)	DC 5V
2	Neg (-)	Signal In



1. Chassis Intrusion Header
2. Internal Speaker/Buzzer

### SGPIO Headers

Two I-SGPIO (Serial Link General Purpose Input/Output) headers are located on the motherboard. They support the onboard I-SATA 3.0 ports. Refer to the tables below for pin definitions.

I-SGPIO1/I-SGPIO2 Header	
I-SGPIO1	I-SATA 3.0 Ports 2-3
I-SGPIO2	I-SATA 3.0 Ports 4-7

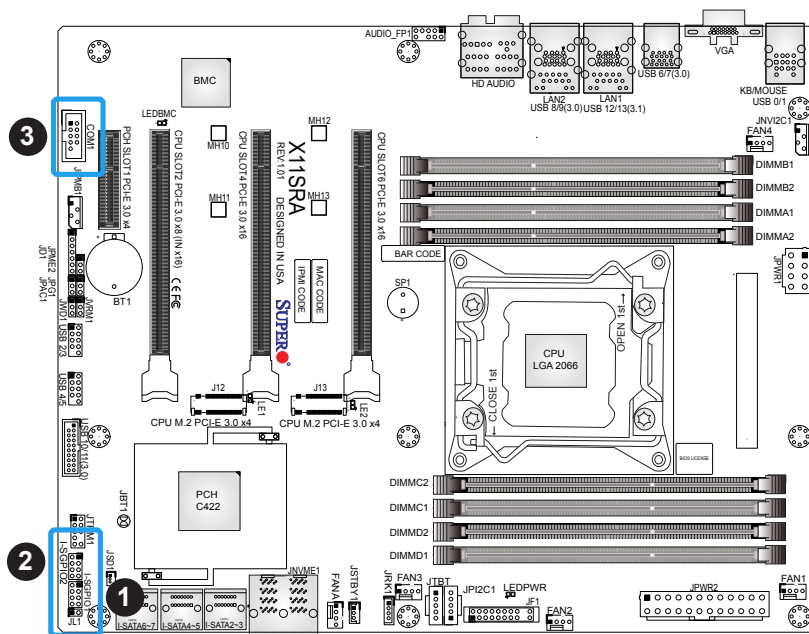
I-SGPIO1/I-SGPIO2 Header Pin Definitions			
Pin#	Definition	Pin#	Definition
1	NC	2	NC
3	GND	4	Data
5	Load	6	GND
7	Clock	8	NC

NC = No Connection

### Serial (COM) Header

One COM header (COM1) is located on the motherboard. Refer to the table below for pin definitions.

Serial (COM) Header Pin Definitions			
Pin#	Definition	Pin#	Definition
1	DCD	6	DSR
2	RXD	7	RTS
3	TXD	8	CTS
4	DTR	9	RI
5	Ground	10	N/A



1. I-SGPIO1
2. I-SGPIO2
3. COM1

## Standby Power Header

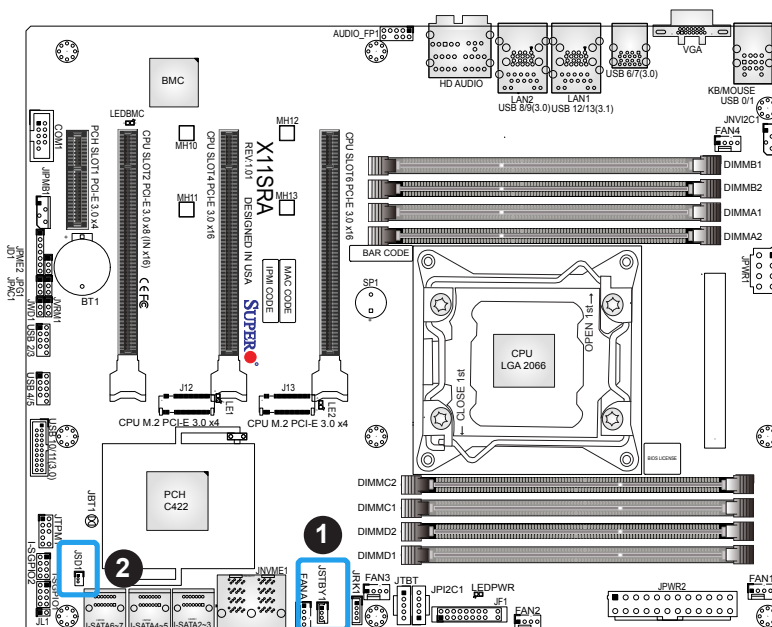
The +5V Standby Power header is located at JSTBY1 on the motherboard. You must have a card with a Standby Power connector and a cable to use this feature. Refer to the table below for pin definitions.

Standby Power Header Pin Definitions	
Pin#	Definition
1	+5V Standby
2	Ground
3	NC

## Disk-On-Module Power Connector

One power connector for a SATA DOM (Disk-On-Module) device is located at JSD1. Connect the appropriate cable here to provide power support for your Serial Link DOM device.


DOM Power Connector Pin Definitions	
Pin#	Definition
1	5V
2	Ground
3	Ground



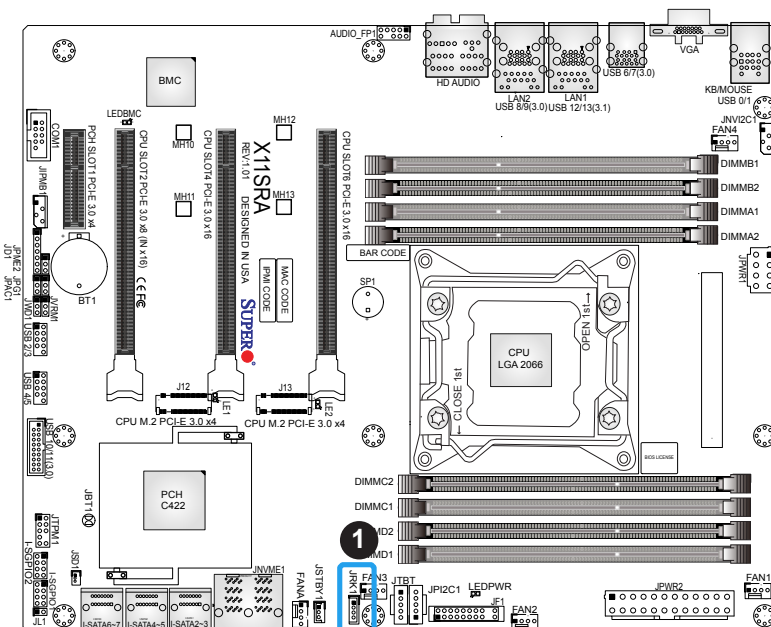
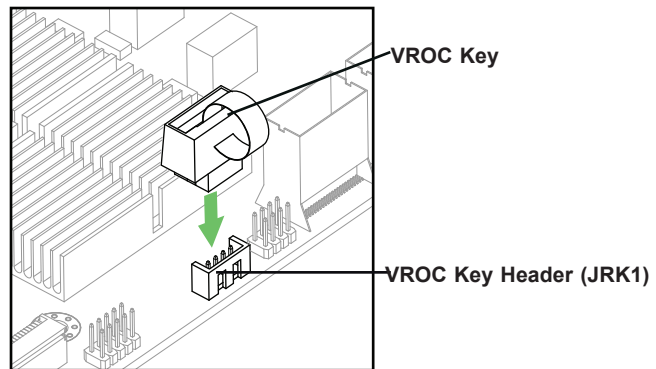
1. Standby Power Header
2. JSD1

### VROC RAID Key Header

A VROC RAID Key header is located at JRK1 on the motherboard. Install a VROC RAID Key on JRK1 for NVMe RAID support as shown in the illustration below. Please refer to the layout below for the location of JRK1.

 **Note:** Enable the VROC Key is required when using the RAID function.

Intel VROC Key Pin Definitions	
Pin#	Definition
1	Ground
2	3.3V Standby
3	Ground
4	PCH RAID Key



1.VROC RAID Key Header



### TPM/Port 80 Header

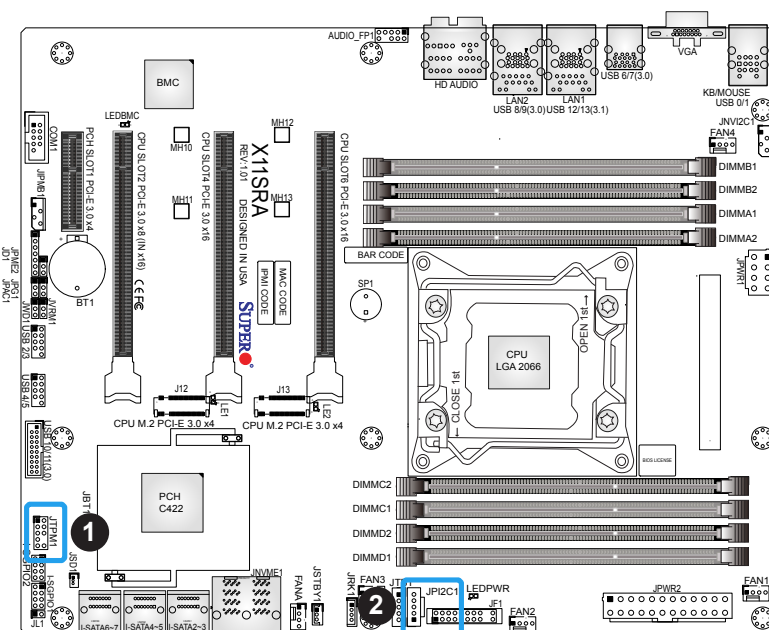
A Trusted Platform Module (TPM)/Port 80 header is located at JTPM1 to provide TPM support and a Port 80 connection. Use this header to enhance system performance and data security. Refer to the table below for pin definitions.

Trusted Platform Module Header Pin Definitions			
Pin#	Definition	Pin#	Definition
1	+3.3V	2	SPI_CS#
3	RESET#	4	SPI_MISO
5	SPI_CLK	6	GND
7	SPI_MOSI	8	
9	+3.3V Stby	10	SPI_IRQ#

### Power SMB (I<sup>2</sup>C) Header

The Power System Management Bus (I<sup>2</sup>C) connector (JPI2C1) monitors the power supplies, fans, and system temperatures. Refer to the table below for pin definitions.

Power SMB Header Pin Definitions	
Pin#	Definition
1	Clock
2	Data
3	PMBUS_Alert
4	Ground
5	+3.3V



1. TPM/Port 80 Header
2. Power SMB (I<sup>2</sup>C) Header

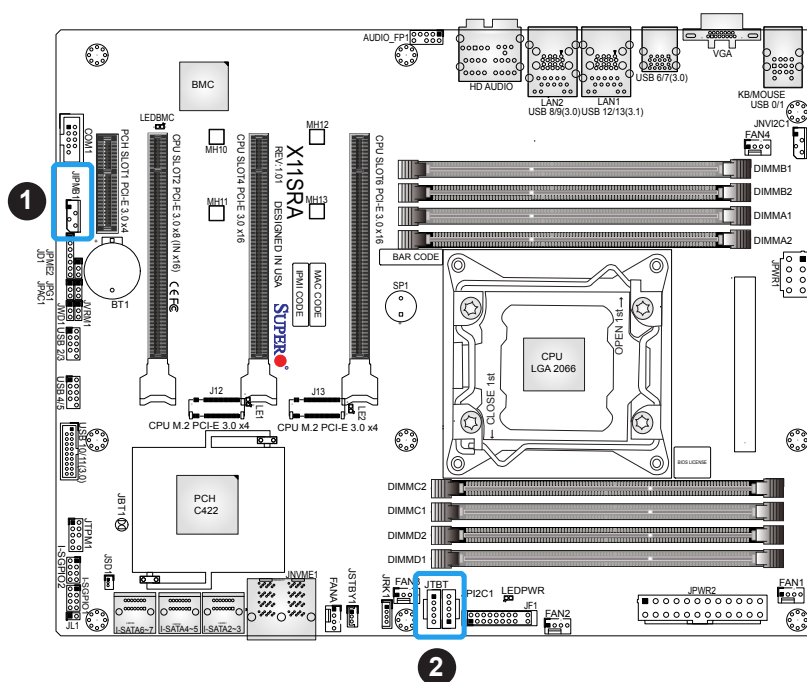
### 4-pin External BMC I<sup>2</sup>C Header

A System Management Bus header for IPMI 2.0 is located at JIPMB1. Connect the appropriate cable here to use the IPMB I<sup>2</sup>C connection on your system. Refer to the table below for pin definitions.

External I <sup>2</sup> C Header Pin Definitions	
Pin#	Definition
1	Data
2	GND
3	Clock
4	NC

### Thunderbolt Header

This motherboard supports one Thunderbolt header (JTBT). A Thunderbolt header is a hardware interface that allows peripherals to be connected to the motherboard at transfer speeds of up to 10 Gbit/s. This port combines a PCI-E and a DisplayPort into one serial signal.



1. External BMC I<sup>2</sup>C Header
2. Thunderbolt Header

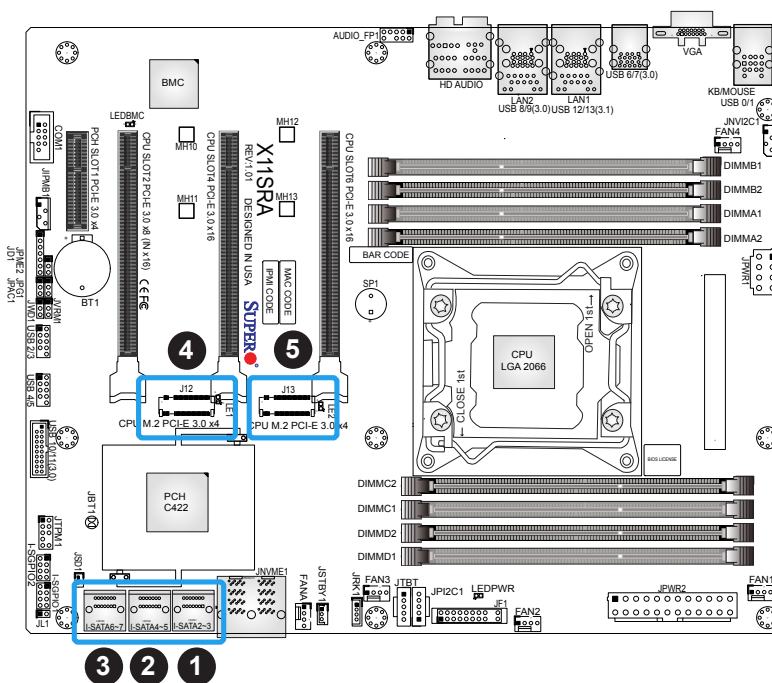
## SATA 3.0 Ports

Six SATA 3.0 connectors, supported by the Intel C422 PCH chipset, are located on the X11SRA/F/-RF motherboard. These SATA ports support RAID 0, 1, 5, and 10. SATA ports provide serial-link signal connections, which are faster than the connections of Parallel ATA. Refer to the table below for pin definitions.

SATA 3.0 Ports Pin Definitions	
Pin#	Definition
1	Ground
2	SATA_TXP
3	SATA_TXN
4	Ground
5	SATA_RXN
6	SATA_RXP
7	Ground

## M.2 Connection

The X11SRA/F/-RF board contains two M.2 slots. M.2 was formerly known as Next Generation Form Factor (NGFF) and serves to replace mini PCIe. M.2 allows for a greater variety of card sizes, increased functionality, and spatial efficiency. The M.2 slots on the motherboard support PCIe 3.0 x4 (32 Gb/s) card in 2280 and 22110 form factors.



1. I-SATA2~3
2. I-SATA4~5
3. I-SATA6~7
4. CPU M.2 PCI-E 3.0 x4
5. CPU M.2 PCI-E 3.0 x4

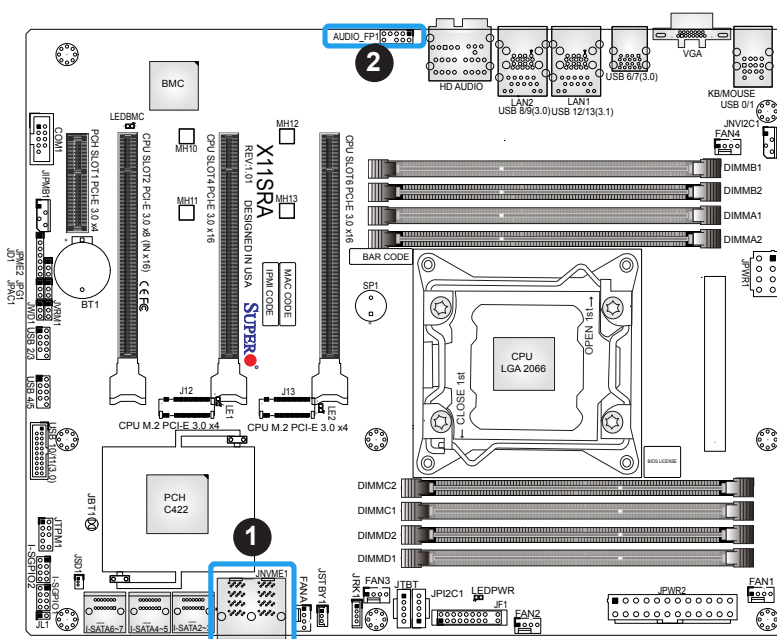
## NVMe Connector

JNVME1 is a Non-volatile Memory Express (NVMe) connector that provides two connections for high speed PCIe storage devices. The NVMe interface provides lower data latency for increased efficiency and performance.

## Front Accessible Audio Header

A 10-pin audio header (AUDIO\_FP1) allows you to use the onboard sound for audio playback. Connect an audio cable to this header to use this feature. Refer to the table below for pin definitions.

10-Pin Audio Header Pin Definitions			
Pin#	Definition	Pin#	Definition
1	Mic_2_Left	2	Audio_Ground
3	Mic_2_Right	4	Audio_Detect
5	Line_2_Right	6	Mic_2_JD
7	Jack_Detect	8	Key
9	Line_2_Left	10	Line_2_JD




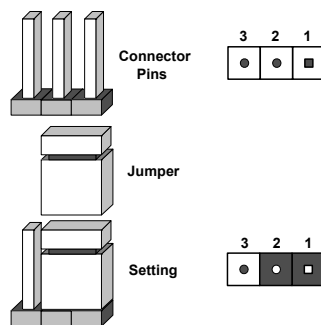
1. JNVME1
2. Front Accessible Audio Header

## 2.8 Jumper Settings

### How Jumpers Work

To modify the operation of the motherboard, jumpers can be used to choose between optional settings. Jumpers create shorts between two pins to change the function of the connector. Pin 1 is identified with a square solder pad on the printed circuit board. Refer to the diagram below for an example of jumping pins 1 and 2. Refer to the motherboard layout page for jumper locations.

 **Note:** On two-pin jumpers, Closed means the jumper is on and Open means the jumper is off the pins.

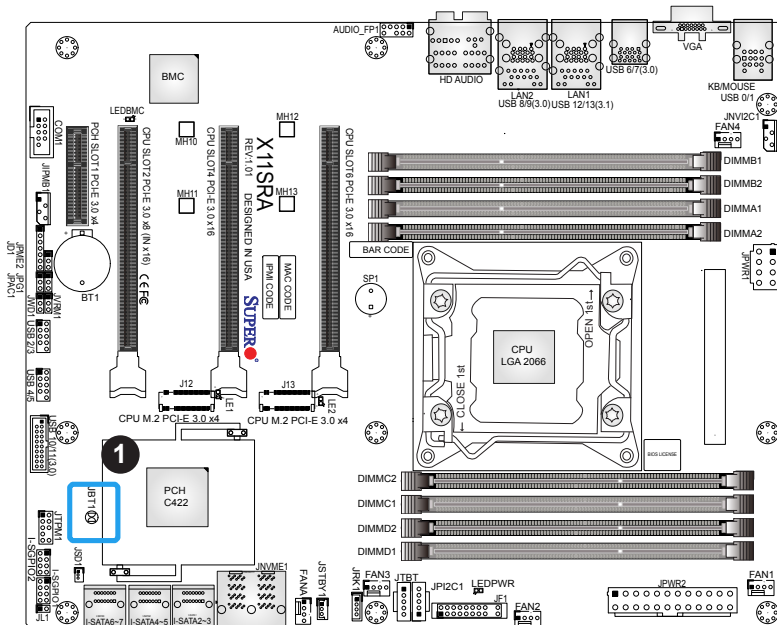


## CMOS Clear

JBT1 is used to clear the CMOS. Instead of pins, this jumper consists of contact pads to prevent accidental clearing of the CMOS. To clear the CMOS, use a metal object such as a small screwdriver to touch both pads at the same time to short the connection.



**Note:** Shut down the system and then short JBT1 to clear the CMOS.



## 1. CMOS Clear

## Manufacturing Mode

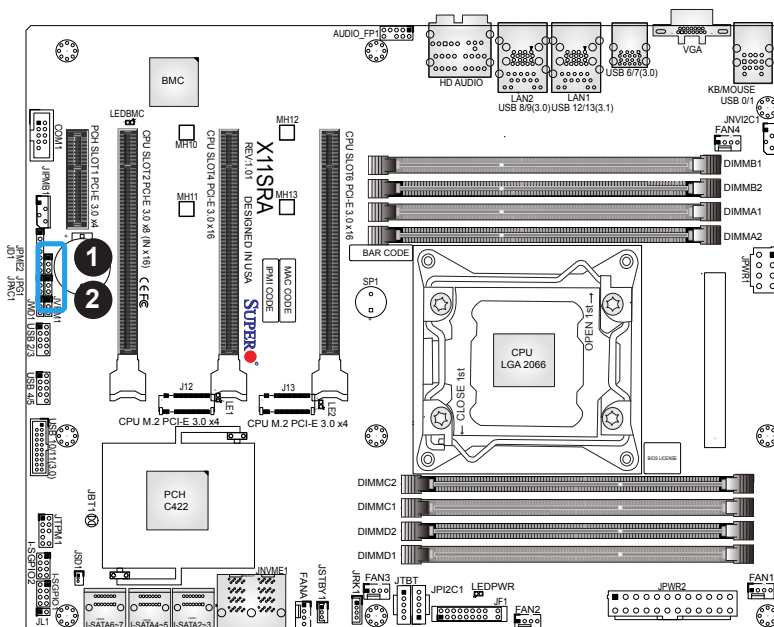
Close pins 2-3 of JPME2 to bypass SPI flash security and force the system to operate in the manufacturing mode, which will allow the user to flash the system firmware from a host server for system setting modifications. Refer to the table below for jumper settings.

Manufacturing Mode Jumper Settings	
Jumper Setting	Definition
Pins 1-2	Normal (Default)
Pins 2-3	Manufacturing Mode

## VGA Enable/Disable

Jumper JPG1 allows the user to enable the onboard VGA connector. Refer to the table below for jumper settings.

VGA Enable/Disable Jumper Settings	
Jumper Setting	Definition
Pins 1-2	Enabled (Default)
Pins 2-3	Disabled

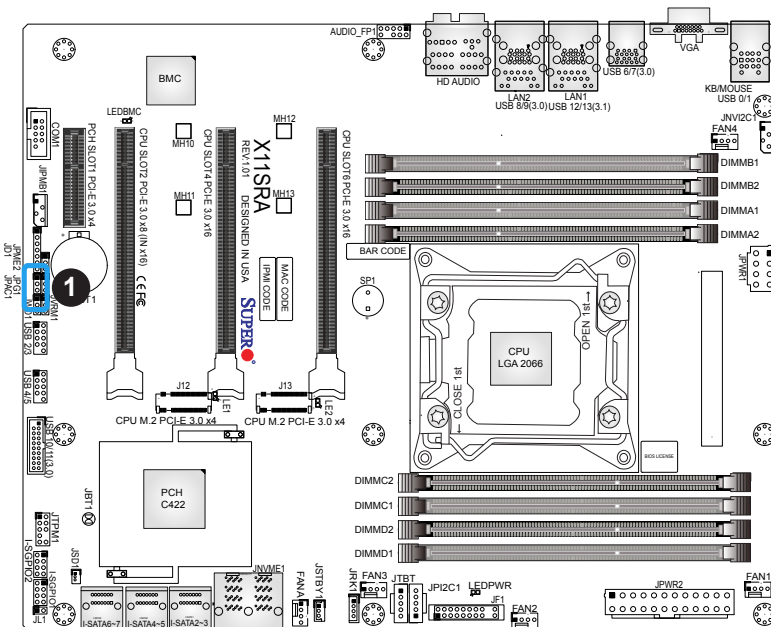


1. Manufacturing Mode
2. VGA Enable/Disable

### Audio Enable/Disable

Use JPAC1 to enable or disable the onboard audio support. Refer to the table below for jumper settings.

Audio Enable/Disable Jumper Settings	
Jumper Setting	Definition
Pins 1-2	Enabled (Default)
Pins 2-3	Disabled



### 1. Audio Enable/Disable



## 2.9 LED Indicators

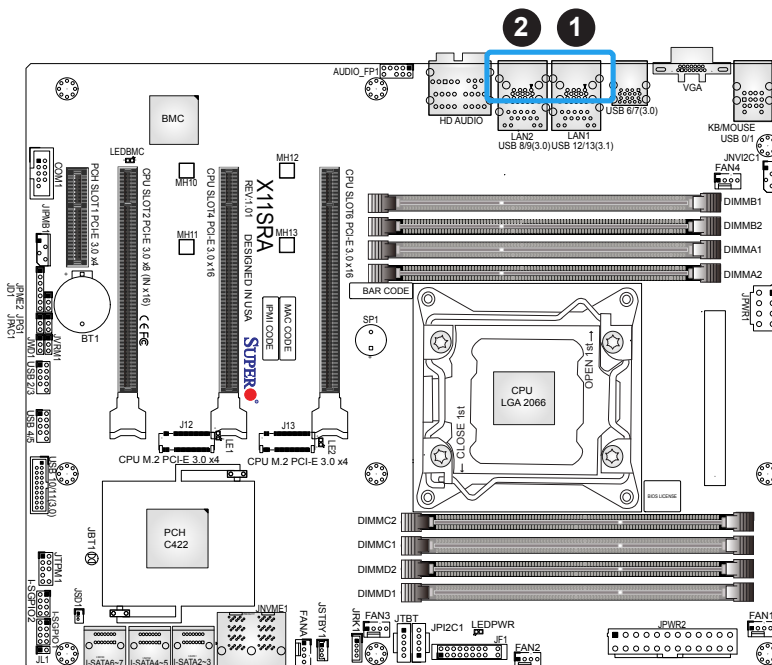
### LAN LEDs

Two LAN ports (LAN1/LAN2) are located on the I/O back panel of the motherboard. Each Ethernet LAN port has two LEDs. The amber LED indicates activity, while the other Link LED may be green, amber, or off to indicate the speed of the connection. Refer to the tables below for more information.

LAN1 Link LED LED State	
LED Color	Definition
Amber	1 Gbps
Green	5 Gbps

LAN2 Link LED LED State	
LED Color	Definition
Amber	1 Gbps
Green	100 Mbps

LAN1/LAN2 Activity LED LED State		
Color	Status	Definition
Amber	Flashing	Active



1. LAN1 LEDs
2. LAN2 LEDs

### Power LED

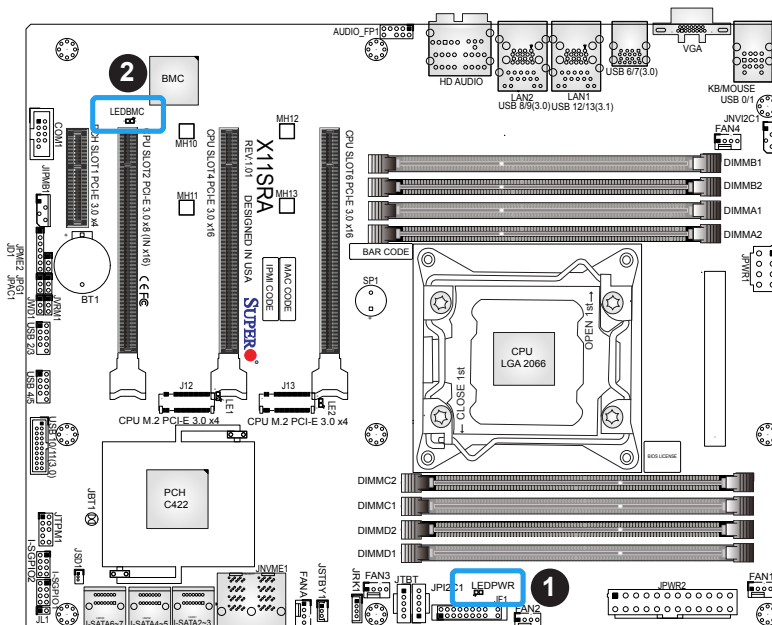
The Onboard Power LED is located at LEDPWR on the motherboard. When this LED is on, the system is on. Turn off the system and unplug the power cord before removing or installing any component. Refer to the table below for more information.

Power LED Indicator	
LED Color	Definition
Off	System Off
Green	System On

### BMC Heartbeat LED

LEDBMC is the BMC heartbeat LED. When the LED is blinking green, BMC is functioning normally. Refer to the table below for the LED status.

Onboard Power LED Indicator	
LED Color	Definition
Green: Blinking	BMC Normal

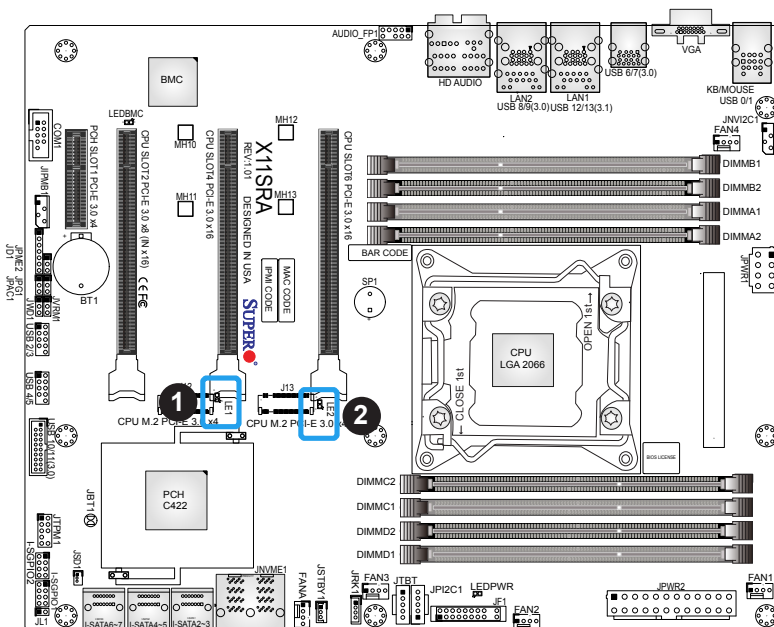


1. Power LED
2. BMC Heartbeat LED

## M.2 LEDs

There are two M.2 LEDs (LE1/LE2) on the motherboard. LE1 is next to the M.2 slot at J12 and LE2 is next to the M.2 slot at J13. When the LED is blinking, the M.2 device is working.

M.2 LEDs	
LED Color	Definition
Blinking Green	Device is working



1. LE1
2. LE2

## Chapter 3

# Troubleshooting

### 3.1 Troubleshooting Procedures

Use the following procedures to troubleshoot your system. If you have followed all of the procedures below and still need assistance, refer to the 'Technical Support Procedures' and/or 'Returning Merchandise for Service' section(s) in this chapter. Always disconnect the AC power cord before adding, changing or installing any non hot-swap hardware components.

#### Before Power On

1. Make sure that there are no short circuits between the motherboard and chassis.
2. Disconnect all ribbon/wire cables from the motherboard, including those for the keyboard and mouse.
3. Remove all add-on cards.
4. Install the CPU (making sure it is fully seated) and connect the front panel connectors to the motherboard.

#### No Power

1. Make sure that there are no short circuits between the motherboard and the chassis.
2. Make sure that the ATX power connectors are properly connected.
3. Check that the 115V/230V switch, if available, on the power supply is properly set.
4. Turn the power switch on and off to test the system, if applicable.
5. The battery on your motherboard may be old. Check to verify that it still supplies ~3VDC. If it does not, replace it with a new one.

#### No Video

1. If the power is on but you have no video, remove all add-on cards and cables.
2. Use the speaker to determine if any beep codes are present. Refer to [Appendix A](#) for details on beep codes.

3. Remove all memory modules and turn on the system (if the alarm is on, check the specs of memory modules, reset the memory or try a different one).

## System Boot Failure

If the system does not display POST or does not respond after the power is turned on, check the following:

1. Check for any error beep from the motherboard speaker.
  - If there is no error beep, try to turn on the system without DIMM modules installed. If there is still no error beep, replace the motherboard.
  - If there are error beeps, clear the CMOS settings by unplugging the power cord and contacting both pads on the CMOS clear jumper (JBT1). (Refer to [Section 2.8](#) in Chapter 2.)
2. Remove all components from the motherboard, especially the DIMM modules. Make sure that system power is on and that memory error beeps are activated.
3. Turn on the system with only one DIMM module installed. If the system boots, check for bad DIMM modules or slots by following the Memory Errors Troubleshooting procedure in this chapter.

## Memory Errors

When a no-memory beep code is issued by the system, check the following:

1. Make sure that the memory modules are compatible with the system and that the DIMMs are properly and fully installed. (For memory compatibility, refer to the memory compatibility chart posted on our website at <http://www.supermicro.com>.)
2. Check if different speeds of DIMMs have been installed. It is strongly recommended that you use the same RAM type and speed for all DIMMs in the system.
3. Make sure that you are using the correct type of ECC DDR4 UDIMM modules recommended by the manufacturer.
4. Check for bad DIMM modules or slots by swapping a single module among all memory slots and check the results.
5. Make sure that all memory modules are fully seated in their slots. Follow the instructions given in [Section 2.4](#) in Chapter 2.
6. Please follow the instructions given in the DIMM population tables listed in [Section 2.4](#) to install your memory modules.

## Losing the System's Setup Configuration

1. Make sure that you are using a high-quality power supply. A poor-quality power supply may cause the system to lose the CMOS setup information. Refer to [Section 2.7](#) for details on recommended power supplies.
2. The battery on your motherboard may be old. Check to verify that it still supplies ~3VDC. If it does not, replace it with a new one. If the above steps do not fix the setup configuration problem, contact your vendor for repairs.

## When the System Becomes Unstable

### ***A. If the system becomes unstable during or after OS installation, check the following:***

1. CPU/BIOS support: Make sure that your CPU is supported and that you have the latest BIOS installed in your system.
2. Memory support: Make sure that the memory modules are supported by testing the modules using memtest86 or a similar utility.



**Note:** Refer to the product page on our website at <http://www.supermicro.com> for memory and CPU support and updates.

3. HDD support: Make sure that all hard disk drives (HDDs) work properly. Replace the bad HDDs with good ones.
4. System cooling: Check the system cooling to make sure that all heatsink fans and CPU/system fans, etc., work properly. Check the hardware monitoring settings in the IPMI to make sure that the CPU and system temperatures are within the normal range. Also check the front panel Overheat LED and make sure that it is not on.
5. Adequate power supply: Make sure that the power supply provides adequate power to the system. Make sure that all power connectors are connected. Please refer to our website for more information on the minimum power requirements.
6. Proper software support: Make sure that the correct drivers are used.

### ***B. If the system becomes unstable before or during OS installation, check the following:***

1. Source of installation: Make sure that the devices used for installation are working properly, including boot devices such as CD/DVD.
2. Cable connection: Check to make sure that all cables are connected and working properly.

3. Using the minimum configuration for troubleshooting: Remove all unnecessary components (starting with add-on cards first), and use the minimum configuration (but with the CPU and a memory module installed) to identify the trouble areas. Refer to the steps listed in [Section A](#) above for proper troubleshooting procedures.
4. Identifying bad components by isolating them: If necessary, remove a component in question from the chassis, and test it in isolation to make sure that it works properly. Replace a bad component with a good one.
5. Check and change one component at a time instead of changing several items at the same time. This will help isolate and identify the problem.
6. To find out if a component is good, swap this component with a new one to see if the system will work properly. If so, then the old component is bad. You can also install the component in question in another system. If the new system works, the component is good and the old system has problems.

## 3.2 Technical Support Procedures

Before contacting Technical Support, please take the following steps. Also, please note that as a motherboard manufacturer, Supermicro also sells motherboards through its channels, so it is best to first check with your distributor or reseller for troubleshooting services. They should know of any possible problems with the specific system configuration that was sold to you.

1. Please go through the Troubleshooting Procedures and Frequently Asked Questions (FAQ) sections in this chapter or refer to the FAQs on our website (<http://www.supermicro.com/FAQ/index.php>) before contacting Technical Support.
2. BIOS upgrades can be downloaded from our website ([http://www.supermicro.com/ResourceApps/BIOS\\_IPMI\\_Intel.html](http://www.supermicro.com/ResourceApps/BIOS_IPMI_Intel.html)).
3. If you still cannot resolve the problem, include the following information when contacting Supermicro for technical support:
  - Motherboard model and PCB revision number
  - BIOS release date/version (This can be seen on the initial display when your system first boots up.)
  - System configuration
4. An example of a Technical Support form is on our website at <http://www.supermicro.com/RmaForm/>.
  - Distributors: For immediate assistance, please have your account number ready when placing a call to our Technical Support department. We can be reached by email at [support@supermicro.com](mailto:support@supermicro.com).



### 3.3 Frequently Asked Questions

**Question: What type of memory does my motherboard support?**


**Answer:** The motherboard supports up to 512GB of RDIMM and 1TB of LRDIMM ECC DDR4 memory. To enhance memory performance, do not mix memory modules of different speeds and sizes. Please follow all memory installation instructions given on [Section 2.4](#) in Chapter 2.

**Question: Why can't I turn off the power using the momentary power on/off switch?**


**Answer:** The instant power off function is controlled in the BIOS by the Power Button Mode setting. When the On/Off feature is enabled, the motherboard will have instant off capabilities as long as the BIOS has control of the system. When the Standby or Suspend feature is enabled or when the BIOS is not in control such as during memory count (the first screen that appears when the system is turned on), the momentary on/off switch must be held for more than four seconds to shut down the system. This feature is required to implement the ACPI features on the motherboard.

**Question: How do I update my BIOS?**


**Answer:** It is recommended that you do not upgrade your BIOS if you are not experiencing any problems with your system. Updated BIOS files are located on our website at [http://www.supermicro.com/ResourceApps/BIOS\\_IPMI\\_Intel.html](http://www.supermicro.com/ResourceApps/BIOS_IPMI_Intel.html). Please check our BIOS warning message and the information on how to update your BIOS on our website. Select your motherboard model and download the BIOS file to your computer. Also, check the current BIOS revision to make sure that it is newer than your BIOS before downloading. Please refer to the following section for the instructions on how to update your BIOS under UEFI Shell.

 **Note:** The SPI BIOS chip used on this motherboard cannot be removed. Send your motherboard back to our RMA Department at Supermicro for repair. For BIOS Recovery instructions, please refer to the AMI BIOS Recovery Instructions posted at <http://www.supermicro.com/support/manuals/>.

### Question: How do I update my BIOS under UEFI Shell?

 **Note:** We do not recommend that you update your BIOS if you are not experiencing a BIOS-related problem. If you need to update your BIOS, please follow the steps below to properly update your BIOS under UEFI Shell.

1. Download and save the BIOS update package to your computer.
2. Extract the files from the UEFI folder of the BIOS package to a USB stick.

 **Note:** The USB stick doesn't have to be bootable; however, it has to be formatted with the FAT/FAT32 file system.

3. Insert the USB stick into a USB port, boot to the UEFI Built-In Shell, and enter the following commands to start the BIOS update:

```
Shell> fs0:  
fs0:\> cd UEFI  
fs0:\UEFI> flash.nsh BIOSname#.###
```

4. The FLASH.NSH script will compare the Flash Descriptor Table (FDT) code in the new BIOS with the existing one in the motherboard:

#### a. If a different FDT is found

- A new file, STARTUP.NSH, will be created, and the system will automatically reboot in 10 seconds without you pressing any key. BIOS will be updated after the system reboots.
- You can also press <Y> to force an immediate system reboot to shorten the process. During system reboot, press the <F11> key to invoke the boot menu and boot into the build-in UEFI Shell. Your BIOS will be updated automatically.

#### b. If the FDT is the same

- BIOS update will be immediately performed without a system reboot initiated.

**Warning:** Do not shut down or reset the system while updating the BIOS to prevent possible system boot failure!)

5. Perform an A/C power cycle after the message indicating the BIOS update has completed.
6. Go to the BIOS setup utility, and restore the BIOS settings.

## 3.4 Battery Removal and Installation

### Battery Removal

To remove the onboard battery, follow the steps below:

1. Power off your system and unplug your power cable.
2. Locate the onboard battery as shown below.
3. Using a tool such as a pen or a small screwdriver, push the battery lock outwards to unlock it. Once unlocked, the battery will pop out from the holder.
4. Remove the battery.

### Proper Battery Disposal

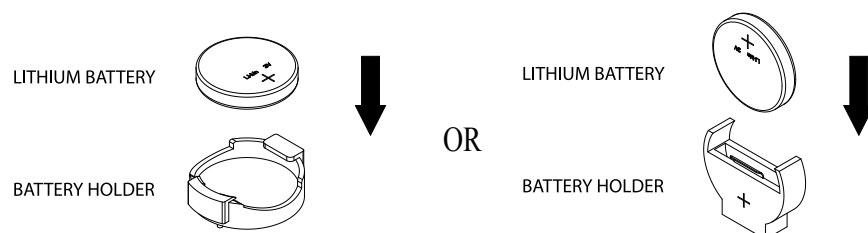
Please handle used batteries carefully. Do not damage the battery in any way; a damaged battery may release hazardous materials into the environment. Do not discard a used battery in the garbage or a public landfill. Please comply with the regulations set up by your local hazardous waste management agency to dispose of your used battery properly.

### Battery Installation

1. To install an onboard battery, follow steps 1 and 2 above and continue below:
2. Identify the battery's polarity. The positive (+) side should be facing up.
3. Insert the battery into the battery holder and push it down until you hear a click to ensure that the battery is securely locked.



**Important:** When replacing a battery, be sure to only replace it with the same type.



## 3.5 Returning Merchandise for Service

A receipt or copy of your invoice marked with the date of purchase is required before any warranty service will be rendered. You can obtain service by calling your vendor for a Returned Merchandise Authorization (RMA) number. When returning to the manufacturer, the RMA number should be prominently displayed on the outside of the shipping carton and mailed prepaid or hand-carried. Shipping and handling charges will be applied for all orders that must be mailed when service is complete.

For faster service, RMA authorizations may be requested online (<http://www.supermicro.com/support/rma/>).

This warranty only covers normal consumer use and does not cover damages incurred in shipping or from failure due to the alteration, misuse, abuse, or improper maintenance of products.

During the warranty period, contact your distributor first for any product problems.

# Chapter 4

## BIOS

### 4.1 Introduction

This chapter describes the AMIBIOS™ Setup utility for the X11SRA-F motherboard. The BIOS is stored on a chip and can be easily upgraded using a flash program.



**Note:** Due to periodic changes to the BIOS, some settings may have been added or deleted and might not yet be recorded in this manual. Please refer to the Manual Download area of our website for any changes to BIOS that may not be reflected in this manual.

#### Starting BIOS Setup Utility

To enter the BIOS Setup Utility, hit the <Delete> key while the system is booting up. (In most cases, the <Delete> key is used to invoke the BIOS setup screen. There are a few cases when other keys are used, such as <F1>, <F2>, etc.)

Each main BIOS menu option is described in this manual. The Main BIOS screen has two main frames. The left frame displays all the options that can be configured. “Grayed-out” options cannot be configured. The right frame displays the key legend. Above the key legend is an area reserved for a text message. When an option is selected in the left frame, it is highlighted in white. Often a text message will accompany it. (Note that BIOS has default text messages built in. We retain the option to include, omit, or change any of these text messages.) Settings printed in **Bold** are the default values.

A " ►" indicates a submenu. Highlighting such an item and pressing the <Enter> key will open the list of settings within that submenu.

The BIOS setup utility uses a key-based navigation system called hot keys. Most of these hot keys (<F1>, <F2>, <F3>, <Enter>, <ESC>, <Arrow> keys, etc.) can be used at any time during the setup navigation process.


## 4.2 Main Setup

When you first enter the AMI BIOS setup utility, you will enter the Main setup screen. You can always return to the Main setup screen by selecting the Main tab on the top of the screen. The Main BIOS setup screen is shown below. The following Main menu features will be displayed:



### System Date/System Time

Use this option to change the system date and time. Highlight *System Date* or *System Time* using the arrow keys. Enter new values using the keyboard. Press the <Tab> key or the arrow keys to move between fields. The date must be entered in MM/DD/YYYY format. The time is entered in HH:MM:SS format.

 **Note:** The time is in the 24-hour format. For example, 5:30 P.M. appears as 17:30:00. The date's default value is 03/02/2017 after RTC reset.

### Supermicro X11SRA-RF

#### BIOS Version

This feature displays the version of the BIOS ROM used in the system.

#### Build Date

This feature displays the date when the version of the BIOS ROM used in the system was built.

#### Memory Information

#### Total Memory

This feature displays the total size of memory available in the system.

## 4.3 Advanced Setup Configurations

Use the arrow keys to select Boot Setup and press <Enter> to access the submenu features.



**Warning:** Take caution when changing the Advanced settings. An incorrect value, a very high DRAM frequency, or an incorrect DRAM timing setting may make the system unstable. When this occurs, revert to the default to the manufacture default settings.



### ► PCH-FW Configuration

This menu shows the following information:

- ME Firmware Version
- ME Firmware Mode
- ME Firmware SKU
- ME File System Integrity Value
- ME Firmware Status 1
- ME Firmware Status 2
- Me FW Image Re-Flash

Use this feature to update the Management Engine firmware from an image in a USB flash drive attached to a USB port. The options are **Disabled** and **Enabled**.

### **Manageability Features State**

This feature allows the user to enable and disable Manageability Features support in FW. To disable support platform, the system must be in an unprovisioned state first. The options are **Enabled** and Disabled.

### **AMT BIOS Features**

This feature allows the user to enable and disable AMT BIOS feature. The user will not be able to access MEBx Setup when this feature is disabled. The options are Enabled and **Disabled**. Note that this option does not disable Manageability Features in FW.

### **AMT Configuration**

## **▶ CPU Configuration**

### **CPU Configuration**

The following CPU information will be displayed:

- Processor BSP Revision
- Processor ID
- Processor Frequency
- Processor Max Ratio
- Processor Min Ratio
- Microcode Revision
- L1 Cache RAM
- L2 Cache RAM
- L3 Cache RAM
- Processor 0 Version

### **Hyper-threading (ALL)**

Select Enabled to support Intel Hyper-threading Technology to enhance CPU performance. The options are Disabled and **Enabled**.

### **MAX CPUID Value Limit**

This feature allows the user to set the maximum CPU ID value. Enable this function to boot the legacy operating systems that cannot support processors with extended CPUID functions. The options are Enabled and **Disabled** (for the Windows OS).



**Execute Disable Bit**

Set to Enabled for Execute Disable Bit support which will allow the processor to designate areas in the system memory where an application code can execute and where it cannot, thus preventing a worm or a virus from flooding illegal codes to overwhelm the processor or damaging the system during a virus attack. The options are Disabled and **Enabled**. (Refer to Intel and Microsoft websites for more information.)

**Enable Intel(R) TXT**

Select Enabled to enable Intel Trusted Execution Technology (TXT) support to enhance system security and data integrity. The options are **Disabled** and Enabled.

**Intel® (VMX) Virtualization Technology**

Select Enable to use Intel Virtualization Technology so that I/O device assignments will be reported directly to the VMM (Virtual Memory Management) through the DMAR ACPI Tables. This feature offers fully-protected I/O resource-sharing across the Intel platforms, providing the user with greater reliability, security, and availability in networking and data-sharing. The options are Disabled and **Enabled**.

**PPIN Control**

Select Unlock/Enable to use the Protected-Processor Inventory Number (PPIN) in the system. The options are **Unlock/Enable** and Unlock/Disable.

**Hardware Prefetcher**

If this feature is set to Enabled, the hardware prefetcher will prefetch streams of data and instructions from the main memory to the L2 cache to improve CPU performance. The options are Disabled and **Enabled**.

**Adjacent Cache Prefetch**

Select Enable for the CPU to prefetch both cache lines for 128 bytes as comprised. Select Disable for the CPU to prefetch both cache lines for 64 bytes. The options are Disable and **Enable**.

**DCU Streamer Prefetcher**

If this feature is set to Enable, the DCU (Data Cache Unit) streamer prefetcher will prefetch data streams from the cache memory to the DCU (Data Cache Unit) to speed up data accessing and processing for CPU performance enhancement. The options are Disable and **Enable**.

**DCU IP Prefetcher**

If this feature is set to Enable, the IP prefetcher in the DCU (Data Cache Unit) will prefetch IP addresses to improve network connectivity and system performance. The options are **Enable** and Disable.

### LLC Prefetcher

If this feature is set to Enable, LLC (hardware cache) prefetching on all threads will be supported. The options are **Disable** and Enable.

### DCU Mode

Set the data-prefetching mode for the DCU (Data Cache Unit). The options are **32KB 8way without ECC** and 16KB 4 way with ECC.

### Extended APIC

Based on the Intel Hyper-Threading technology, each logical processor (thread) is assigned 256 APIC IDs (APIDs) in 8-bit bandwidth. When this feature is set to Enable, the APIC ID will be expanded from 8 bits to 16 bits to provide 512 APIDs to each thread to enhance CPU performance. The options are **Disable** and Enable.

### AES-NI

Select Enable to use the Intel Advanced Encryption Standard (AES) New Instructions (NI) to ensure data security. The options are **Enable** and Disable.

### APIC Physical Mode

This feature allows the user to enable and disable APIC physical destination mode. The options are Enable and **Disable**.

## ► Advanced Power Management Configuration

### ► CPU P State Control

#### CPU P State Control

#### SpeedStep (PStates)

EIST (Enhanced Intel SpeedStep Technology) allows the system to automatically adjust processor voltage and core frequency in an effort to reduce power consumption and heat dissipation. Please refer to Intel's website for detailed information. The options are Disable and **Enable**.

#### EIST PSD Function (Available when SpeedStep is set to Enable)

Use this feature to configure the processor's P-State coordination settings. During a P-State, the voltage and frequency of the processor will be reduced when it is not in operation. This makes the processor more energy efficient, resulting in further energy gains. The options are **HW\_ALL**, **SW\_ALL**, and **SW-ANY**

#### Turbo Mode

Select Enabled for processor cores to run faster than the frequency specified by the manufacturer. The options are Disabled and **Enabled**.

## ► Hardware PM (Power Management) State Control

### Hardware P-States

If this feature is set to Disable, hardware will choose a P-State setting for the system based on an OS request. If this feature is set to Native Mode, hardware will choose a P-State setting based on OS guidance. If this feature is set to Native Mode with No Legacy Support, hardware will choose a P-State setting independently without OS guidance. The options are Disable, Native Mode, Out of Band Mode, and Native Mode with No Legacy Support. Package Power Limit MSR Lock Select Enabled to lock the package power limit for the model specific registers. The options are **Disabled** and Enabled.

## ► CPU C State Control

### Autonomous Core C-State

Select Enable to support Autonomous Core C-State control which will allow the processor core to control its C-State setting automatically and independently. The options are Enable and **Disable**.

### CPU C6 Report

Select Enable to allow the BIOS to report the CPU C6 state (ACPI C3) to the operating system. During the CPU C6 state, power to all caches is turned off. The options are **Auto**, Enable, and Disable.

### Enhanced Halt State (C1E)

Select Enable to enable "Enhanced Halt State" support, which will significantly reduce the CPU's power consumption by minimizing CPU's clock cycles and reduce voltage during a "Halt State." The options are Disable and **Enable**.

## ► Package C State Control

### Package C State

Use this feature to set the limit on the C-State package register. The options are C0/1 state, C2 state, C6 (non-Retention) state, C6 (Retention) state, No Limit, and **Auto**.

## ► Chipset Configuration



**Warning:** Setting the wrong values in the following features may cause the system to malfunction.

## ► North Bridge

This feature allows the user to configure the settings for the Intel North Bridge.

### ► Memory Configuration

#### Integrated Memory Controller (iMC)

##### Enforce POR

Select POR to enforce POR restrictions for DDR4 memory frequency and voltage programming. The options are **Auto**, POR, and Disable.

##### Memory Frequency

Use this feature to set the maximum memory frequency for onboard memory modules. The options are **Auto**, 1000, 1200, 1333, 1400, 1600, 1800, 1866, 2000, and 2133.

##### Custom Refresh Enable

This feature enables a custom memory refresh rate. The options are **Disable** and Enable.

##### MC BGF threshold

Enter a value for the HA to MC BGF threshold, which is used for scheduling MC request in bypass conditions. The default is **0**.

##### DLL Reset Test

Enter a value for the amount of loops to execute RMT during DLL reset tests. The default is **0**.

### ► Memory Topology

This feature displays the information of onboard memory modules detected by the BIOS.

- P1 DIMMA1
- P1 DIMMB1
- P2 DIMMA1
- P2 DIMMB1

### ► Memory RAS (Reliability\_Availability\_Serviceability) Configuration

Use this submenu to configure the following Memory RAS settings.

#### Static Virtual Lockstep Mode

Select Enable to support Static Virtual Lockstep mode to enhance memory performance. The options are Enable and **Disable**.

### Mirror Mode

Select Enable to set all 1LM/2LM memory installed in the system on the mirror mode, which will create a duplicate copy of data stored in the memory to increase memory security, but it will reduce the memory capacity into half. The options are Mirror Mode 1LM, Mirror Mode 2LM, and **Disable**.

### ADDDC (Adaptive Double Device Data Correction) Sparing

Select Enable for ADDDC sparing support to enhance memory performance. The options are Enable and **Disable**.

### Patrol Scrub

Patrol Scrubbing is a process that allows the CPU to correct correctable memory errors detected in a memory module and send the corrections to the requestor (the original source). When this feature is set to Enable, the I/O hub will read and write back one cache line every 16K cycles if there is no delay caused by internal processing. By using this method, roughly 64 GB of memory behind the I/O hub will be scrubbed every day. The options are **Enable** and Disable.

### Patrol Scrub Interval

Use this feature to specify the number of hours (between 0 to 24) required for the system to complete a full patrol scrubbing. Enter 0 for patrol scrubbing to be performed automatically. The default setting is **24**.



**Note:** This feature is hidden when Patrol Scrub is set to Disable.

### Patrol Scrub Address Mode

This feature controls which address mode Patrol Scrub uses. The options are Reverse Address and **System Physical Address**.

## ► IIO Configuration

### IIO Configuration

#### EV DFX (Device Function On-Hide) Features

When this feature is set to Enable, the EV\_DFX Lock Bits that are located in a processor will always remain clear during electric tuning. The options are **Disable** and Enable.

#### Isoc Mode

Select Enable to enable Isochronous support to meet QoS (Quality of Service) requirements. This feature is especially important for Virtualization Technology. The options are Disable, Enable, and **Auto**.

## ►CPU1 Configuration

### IOU0 (Slot4)

This feature configures the PCIe Bifurcation setting for a PCIe port specified by the user. The options are x4x4x4x4, x4x4x8, x8x4x4, x8x8, x16, and **Auto**.

### IOU1 (Slot6)

This feature configures the PCIe Bifurcation setting for a PCIe port specified by the user. The options are x4x4x4x4, x4x4x8, x8x4x4, x8x8, x16, and **Auto**.

### IOU2 (Slot2, M.2\_1, M.2\_2)

This feature configures the PCIe Bifurcation setting for a PCIe port specified by the user. The options are x4x4x4x4, x4x4x8, x8x4x4, x8x8, x16, and **Auto**.

## ►CPU SLOT6PCI-E 3.0 x16/ CPU M.2 PCI-E 3.0 x4/CPU M.2 PCI-E 3.0 x4/ CPU SLOT6 PCI-E 3.0 x8(IN x16)

### Link Speed

This feature configures the link speed of a PCIe port specified by the user. The options are **Auto**, Gen 1 (Generation 1) (2.5 GT/s), Gen 2 (Generation 2) (5 GT/s), and Gen 3 (Generation 3) (8 GT/s).

### PCI-E Port Max (Maximum) Payload Size

Select Auto for the system BIOS to automatically set the maximum payload value for a PCIe device specified by to the user to enhance system performance. The options are **Auto**, 128B, and 256B.

## ►IOAT Configuration

### Disable TPH (TLP Processing Hint)

TPH is used for data-tagging with a destination ID and a few important attributes. It can send critical data to a particular cache without writing through to memory. Select No for TLP Processing Hint support, which will allow a "TLP request" to provide "hints" to help optimize the processing of each transaction occurred in the target memory space. The options are Yes and **No**.

### Prioritize TPH (TLP Processing Hint)

Select Yes to prioritize the TLP requests that will allow the "hints" to be sent to help facilitate and optimize the processing of certain transactions in the system memory. The options are Enable and **Disable**.

**Relaxed Ordering**

Select Enable to enable Relaxed Ordering support which will allow certain transactions to violate the strict-ordering rules of PCI and to be completed prior to other transactions that have already been enqueued. The options are **Disable** and Enable.

**► Intel VT for Directed I/O (VT-d)****Intel® VT for Directed I/O (VT-d)**

Select Enable to use Intel Virtualization Technology support for Direct I/O VT-d by reporting the I/O device assignments to the VMM (Virtual Machine Monitor) through the DMAR ACPI tables. This feature offers fully-protected I/O resource sharing across Intel platforms, providing greater reliability, security, and availability in networking and data-sharing. The options are **Enable** and Disable.

**Interrupt Remapping**

Select Enable for Interrupt Remapping support to enhance system performance. The options are **Enable** and Disable.

**PassThrough DMA**

Select Enable for the Non-IscoH VT-d engine to pass through DMA (Direct Memory Access) to enhance system performance. The options are **Enable** and Disable.

**ATS**

Select Enable to enable ATS (Address Translation Services) support for the Non-IscoH VT-d engine to enhance system performance. The options are **Enable** and Disable.

**Posted Interrupt**

Select Enable to support VT\_D Posted Interrupt which will allow external interrupts to be sent directly from a direct-assigned device to a client machine in non-root mode to improve virtualization efficiency by simplifying interrupt migration and lessening the need of physical interrupts. The options are **Enable** and Disable.

**Coherency Support (Non-IscoH)**

Select Enable for the Non-IscoH VT-d engine to pass through DMA (Direct Memory Access) to enhance system performance. The options are **Enable** and Disable.

**► Intel® VMD Technology****► Intel® VMD for Volume Management Device on CPU****VMD Config for PStack0****Intel® VMD for Volume Management**

Select Enable to use the Intel Volume Management Device Technology for this stack. The options are **Disable** and Enable.

## VMD Config for PStack2

### Intel® VMD for Volume Management

Select Enable to use the Intel Volume Management Device Technology for this stack. The options are **Disable** and Enable.

### PCI-E Completion Timeout Disable

Select Enable to enable PCIe Completion Timeout support for electric tuning. The options are Yes, **No**, and Per-Port.

## ► South Bridge

The following South Bridge information will display:

- USB Module Version
- USB Devices

### Legacy USB Support

Select Enabled to support onboard legacy USB devices. Select Auto to disable legacy support. If there is no legacy USB device present, select Disabled to have all USB devices available for EFI applications only. The options are **Enabled**, Disabled and Auto.

### XHCI Hand-Off

This is a work-around solution for operating systems that do not support XHCI (Extensible Host Controller Interface) hand-off. The XHCI ownership change should be claimed by the XHCI driver. The options are **Enabled** and Disabled.

### Port 60/64 Emulation

Select Enabled for I/O port 60h/64h emulation support, which in turn, will provide complete legacy USB keyboard support for the operating systems that do not support legacy USB devices. The options are **Enabled** and Disabled.

### RSA Support

This feature allows the user to enable and disable Intel Rack Scale Architecture support. The options are Enabled and **Disabled**.

## ► SATA And RST Configuration

### SATA Controller(s)

This feature enables or disables the onboard SATA controller supported by the Intel PCH chip. The options are **Enable** and Disable.



### **Configure SATA as**

Use this feature to select the mode for the installed SATA drives. The options are **AHCI** and **RAID**. Select AHCI to configure a SATA drive specified by the user as an AHCI drive. Select RAID to configure a SATA drive specified by the user as a RAID drive.



**Note:** This feature is hidden when SATA Controller(s) is set to Disable.

### **Aggressive Link Power Management**

When this feature is set to Enabled, the SATA AHCI controller manages the power use of the SATA link. The controller will put the link in a low power mode during an extended period of I/O inactivity, and will return the link to an active state when I/O activity resumes. The options are **Enabled** and Disabled.

### **Storage Option ROM/UEFI Driver**

This feature controls the execution of UEFI and Legacy OPROM. The options are Disabled, UEFI, and **Legacy**.

### **Serial ATA Port 0~7:**

#### **Software Preserve**

This feature displays the software information for the detected device.

#### **Hot Plug**

This feature designates the port specified for hot plugging. Set this feature to Enabled for hot-plugging support, which will allow the user to replace a SATA disk drive without shutting down the system. The options are **Enabled** and Disabled.

#### **Spin Up Device**

When this feature is disabled, all drives will spin up at boot. When it is enabled, it will perform Staggered Spin Up on any drive that this feature has activated. The options are Enabled and **Disabled**.

#### **SATA Device Type**

Use this feature to identify the type of HDD that is connected to the STATA port. The options are **Hard Disk Drive** and Solid State Drive.

## **►ACPI Settings**

Use this feature to configure Advanced Configuration and Power Interface (ACPI) power management settings for your system.

### **WHEA Support**

Select Enabled to support the Windows Hardware Error Architecture (WHEA) platform and provide a common infrastructure for the system to handle hardware errors within the Windows OS environment to reduce system crashes and to enhance system recovery and health monitoring. The options are **Enabled** and Disabled.

### **High Precision Timer**

Select Enabled to activate the High Precision Event Timer (HPET) that produces periodic interrupts at a much higher frequency than a Real-time Clock (RTC) does in synchronizing multimedia streams, providing smooth playback and reducing the dependency on other timestamp calculation devices, such as an x86 RDTSC Instruction embedded in the CPU. The High Performance Event Timer is used to replace the 8254 Programmable Interval Timer. The options are **Enabled** and Disabled.

### **Native PCIE Enable**

This feature enables Native PCIe control. The options are **Enabled** and Disabled.

### **Native ASPM**

This feature selects what controls ASPM. The options are Disabled (BIOS controlled), Enabled (operating system controlled), and **Auto**.

### **NUMA Support (Available when the OS supports this feature)**

Select Enabled to enable Non-Uniform Memory Access support to enhance system performance. The options are **Enabled** and Disabled.

## **► Boot Feature**

### **Boot Feature**

#### **Fast Boot**

When this feature is enabled, a minimal set of devices required to launch during system boot up is initialized. The options are **Disabled** and Enabled.

#### **Quiet Boot**

Use this feature to select the screen display between POST messages and the OEM logo at boot up. Select Disabled to display the POST messages. Select Enabled to display the OEM logo instead of the normal POST messages. The options are Unchecked and **Checked**.

#### **Bootup Num-Lock**

Use this feature to set the Power-on state for the Numlock key. The options are Off and **On**.

#### **Option ROM Messages**

This feature controls the display mode for Option ROM. The options are **Force BIOS** and Keep Current.

**INT19 (Interrupt 19) Trap Response**

Interrupt 19 is the software interrupt that handles the boot disk function. When this feature is set to Immediate, the ROM BIOS of the host adaptors will "capture" Interrupt 19 at boot up immediately and allow the drives that are attached to these host adaptors to function as bootable disks. If this feature is set to Postponed, the ROM BIOS of the host adaptors will not capture Interrupt 19 immediately and will allow the drives attached to these adaptors to function as bootable devices at boot up. The options are **Immediate** and Postponed.

**Port 61h Bit-4 Emulation**

This feature enables port 61h bit-4 toggling in SMM. The options are **Disabled** and Enabled.

**Wait for "F1" If Error**

This feature forces the system to wait until the "F1" key is pressed if an error occurs. The options are Disabled and **Enabled**.

**Re-try Boot**

When EFI Boot is selected, the system BIOS will automatically reboot the system from an EFI boot device after its initial boot failure. If Legacy Boot is selected, this feature will allow the BIOS to automatically reboot the system from a Legacy boot device after its initial boot failure. The options are **Disabled**, Legacy Boot, and EFI Boot.

**Watch Dog Function**

If this feature is set to enabled, the Watch Dog timer will allow the system to reboot when it is inactive for more than five minutes. The options are **Disabled** and Enabled.

**Power Button Function**

This feature controls how the system shuts down when the power button is pressed. Select 4 Seconds Override for the user to power off the system after pressing and holding the power button for four seconds or longer. Select Instant Off to instantly power off the system as soon as the user presses the power button. The options are **Instant Off** and 4 Seconds Override.

**AC Loss Policy Depend on**

Use this feature to set the power state after a power outage. Select Power Off for the system power to remain off after a power loss. Select Power On for the system power to be turned on after a power loss. Select Last State to allow the system to resume its last power state before a power loss. The options are Stay Off, Power On, and **Last State**.

**EuP Support**

EuP, or Energy Using Product, is a European energy-saving specification that sets a standard on the maximum total power consumption on electrical products. The options are **Unchecked** and Checked.

## ► NCT6792D Super IO Configuration

### NCT6792D Super IO Configuration

#### Super IO Chip - NCT6792D

##### ► Serial Port 1 Configuration

###### Serial Port 1

This feature enables the Serial Port 1 (COM1). The options are **Unchecked** and **Checked**.

**Current Limit Override** - The current limit override is shown.

**Device Setting** - **IO=3F8h; IRQ=4;**

###### Change Settings

This feature controls the Super I/O device settings. The options are **Auto**, (IO=3F8h; IRQ=4;), (IO=3F8h; IRQ=3,4,5,6,7,9,10,11,12;), (IO=2F8h; IRQ=3,4,5,6,7,9,10,11,12;), (IO=3E8h; IRQ=3,4,5,6,7,9,10,11,12;), and (IO=2E8h; IRQ=3,4,5,6,7,9,10,11,12;).

## ► AST2500SEC Super IO Configuration

#### Super IO Chip - AST2500SEC

##### ► SOL Configuration

###### Serial Port

Select "checked" to enable the onboard serial port specified by the user.

###### Device Settings

This feature displays the base I/O port address and the Interrupt Request address of a serial port specified by the user.



**Note:** This feature is hidden when Serial Port 1 is set to Disabled.

###### Change Settings

This feature specifies the base I/O port address and the Interrupt Request address of Serial Port 1. Select **Auto** for the BIOS to automatically assign the base I/O and IRQ address to a serial port specified. The options for Serial Port 1 are **Auto**, (IO=2E8h; IRQ=7), (IO=3F8h; IRQ=3, 4, 5, 6, 7, 9, 10, 11, 12), (IO=2F8h; IRQ=3, 4, 5, 6, 7, 9, 10, 11, 12), (IO=3E8h; IRQ=3, 4, 5, 6, 7, 9, 10, 11, 12), (IO=2E8h; IRQ=3, 4, 5, 6, 7, 9, 10, 11, 12), (IO=2F0h; IRQ=3, 4, 5, 6, 7, 9, 10, 11, 12), and (IO=2E0h; IRQ=3, 4, 5, 6, 7, 9, 10, 11, 12).

## ► Serial Port Console Redirection

### COM1

#### COM1 Console Redirection

Select Enabled to enable console redirection support for a serial port specified by the user. The options are **Disabled** and Enabled.

*\*If COM1 Console Redirection is set to Enabled, the following features will become available for user's configuration:*

#### ► Console Redirection Settings

This feature allows the user to specify how the host computer will exchange data with the client computer, which is the remote computer used by the user.

##### Terminal Type

This feature allows the user to select the target terminal emulation type for Console Redirection. Select VT100 to use the ASCII Character set. Select VT100+ to add color and function key support. Select ANSI to use the Extended ASCII Character Set. Select VT-UTF8 to use UTF8 encoding to map Unicode characters into one or more bytes. The options are VT100, **VT100+**, VT-UTF8, and ANSI.

##### Bits Per second

Use this feature to set the transmission speed for a serial port used in Console Redirection. Make sure that the same speed is used in the host computer and the client computer. A lower transmission speed may be required for long and busy lines. The options are 9600, 19200, 38400, 57600 and **115200** (bits per second).

##### Data Bits

Use this feature to set the data transmission size for Console Redirection. The options are 7 and 8.

##### Parity

A parity bit can be sent along with regular data bits to detect data transmission errors. Select Even if the parity bit is set to 0, and the number of 1's in data bits is even. Select Odd if the parity bit is set to 0, and the number of 1's in data bits is odd. Select None if you do not want to send a parity bit with your data bits in transmission. Select Mark to add a mark as a parity bit to be sent along with the data bits. Select Space to add a Space as a parity bit to be sent with your data bits. The options are **None**, Even, Odd, Mark, and Space.

##### Stop Bits

A stop bit indicates the end of a serial data packet. Select 1 Stop Bit for the standard serial data communication. Select 2 Stop Bits if slower devices are used. The options are 1 and 2.

### **Flow Control**

Use this feature to set the flow control for Console Redirection to prevent data loss caused by buffer overflow. Send a "Stop" signal to stop sending data when the receiving buffer is full. Send a "Start" signal to start sending data when the receiving buffer is empty. The options are **None** and Hardware RTS/CTS.

### **VT-UTF8 Combo Key Support**

Select Enabled to enable VT-UTF8 Combination Key support for ANSI/VT100 terminals. The options are Disabled and **Enabled**.

### **Recorder Mode**

Select Enabled to capture the data displayed on a terminal and send it as text messages to a remote server. The options are **Disabled** and Enabled.

### **Resolution 100x31**

Select Enabled for extended-terminal resolution support. The options are Disabled and **Enabled**.

### **Legacy OS Redirection Resolution**

Use this feature to select the number of rows and columns used in Console Redirection for legacy OS support. The options are **80x24** and 80x25.

### **Putty KeyPad**

This feature selects the settings for Function Keys and KeyPad used for Putty, which is a terminal emulator designed for the Windows OS environment. The options are **VT100**, LINUX, XTERMR6, SC0, ESCN, and VT400.

### **Redirection After BIOS POST**

Use this feature to enable or disable legacy console redirection after BIOS POST. When the feature is set to Bootloader, legacy console redirection is disabled before booting the OS. When the feature is set to Always Enable, legacy console redirection remains enabled when booting the OS. The options are **Always Enable** and BootLoader.

### **Legacy Serial Redirection Port**

Select a COM port to display redirection of Legacy OS and Legacy OPROM Messages. The options are SOL and **COM1**.

## **► PCIe/PCI/PnP Configuration**

### **Option ROM execution**

#### **SR-IOV Support (Available if the system supports Single-Root Virtualization)**

Select Enabled for Single-Root IO Virtualization support. The options are Enabled and **Disabled**.

**MMCFG Size**

This feature determines the lowest MMCFG (Memory-Mapped Configuration) base assigned to PCI devices. The options are 64M, 128M, **256M**, 512M, 1G, and 2G.

**MMIOHBase**

Use this feature to select the base memory size according to memory-address mapping for the I/O hub. The base memory size must be between 4032G and 4078G. The options are **56T**, 40T, 24T, 16T, 4T, and 1T.

**MMIO High Granularity Size**

Use this feature to select the high memory size according to memory-address mapping for the I/O hub. The options are 1G, 4G, 16G, 64G, **256G**, and 1024G.

**Above 4G Decoding (Available if the system supports 64-bit PCI decoding)**

Select Enabled to decode a PCI device that supports 64-bit in the space above 4G Address. The options are Enabled and **Disabled**.

**Onboard Video Option ROM**

Use this feature to select the Onboard Video Option ROM type. The options are Disabled, **Legacy**, and EFI.

**PCH Slot1: PCI-E 3.0 X4 OPROM**

Use this feature to select which firmware type to be loaded for the add-on card in this slot. The options are Disabled, **Legacy**, and EFI.

**CPU Slot 2 PCI-E x8(IN x16) OPROM**

Use this feature to select which firmware type to be loaded for the add-on card in this slot. The options are Disabled, **Legacy**, and EFI.

**CPU Slot 4 PCI-E x16 OPROM**

Use this feature to select which firmware type to be loaded for the add-on card in this slot. The options are Disabled, **Legacy**, and EFI.

**CPU Slot 6 PCI-E x16 OPROM**

Use this feature to select which firmware type to be loaded for the add-on card in this slot. The options are Disabled, **Legacy**, and EFI.

**Onboard LAN Option ROM Type**

Select Enabled to enable Option ROM support to boot the computer using a network device specified by the user. The options are **Legacy** and UEFI.

**Onboard Lan Support 1/2**

This feature allows the user to enable and disable onboard LAN 1/2 controller. The default of Onboard LAN 1/2 support is **Enabled**.

### **Onboard LAN1 Option ROM**

### **Onboard LAN2 Option ROM**

Use the features above to select the type of the device installed in a LAN port specified by the user for system boot. The default setting for Onboard LAN1 Option ROM is **PXE** and the default setting for Onboard LAN2 Option ROM is **Disabled**.

### **Network Stack**

Select Enabled to enable PXE (Preboot Execution Environment) or UEFI (Unified Extensible Firmware Interface) for network stack support. The options are Disabled and **Enabled**.

*\*If Network Stack is set to Enabled, the features below will be displayed:*

### **IPv4 PXE Support**

Select Enabled to enable IPv4 PXE boot support. The options are **Disabled** and Enabled.

### **Ipv4 HTTP Support**

This feature allows the user to enable and disable IPv4 HTTP boot support. If disabled, IPv4 HTTP boot support will not be available. The options are **Disabled** and Enabled.

### **IPv6 PXE Support**

Select Enabled to enable IPv6 PXE boot support. The options are **Disabled** and Enabled.

### **Ipv6 HTTP Support**

This feature allows the user to enable and disable IPv6 HTTP boot support. If disabled, IPv6 HTTP boot support will not be available. The options are **Disabled** and Enabled.

### **PXE boot wait time**

Use this feature to specify the wait time to press the ESC key to abort the PXE boot. Press "+" or "-" on your keyboard to change the value. The default setting is **0**.

### **Media detect count**

Use this feature to specify the number of times media checked. Press "+" or "-" on your keyboard to change the value. The default setting is **1**.



## 4.4 Event Logs

Use this feature to configure Event Logs settings.



### ► Change SMBIOS Event Log Settings

#### Enabling/Disabling Options

##### SMBIOS Event Log

Change this feature to enable or disable all features of the SMBIOS Event Logging during system boot. The options are Disabled and **Enabled**.

#### Erasing Settings

##### Erase Event Log

If No is selected, data stored in the event log will not be erased. Select Yes, Next Reset, data in the event log will be erased upon next system reboot. Select Yes, Every Reset, data in the event log will be erased upon every system reboot. The options are **No**, (Yes, Next reset), and (Yes, Every reset).

##### When Log is Full

Select Erase Immediately for all messages to be automatically erased from the event log when the event log memory is full. The options are **Do Nothing** and Erase Immediately.

## **SMBIOS Event Log Standard Settings**

### **Log System Boot Event**

This feature toggles the System Boot Event logging to enable or disable. The options are Enabled and **Disabled**.

### **MECI**

The Multiple Event Count Increment (MECI) counter counts the number of occurrences that a duplicate event must happen before the MECI counter is incremented. This is a numeric value. The default value is **1**.

### **METW**

The Multiple Event Time Window (METW) defines the number of minutes must pass between duplicate log events before MECI is incremented. This is in minutes, from 0 to 99. The default value is **60**.



**Note:** All values changed do not take effect until your computer is restarted.

### **►View SMBIOS Event Log**

This feature allows the user to view the event in the SMBIOS event log. The following categories are displayed:

**DATE/TIME/ERROR CODE/SEVERITY**

## 4.5 IPMI

Use this feature to configure Intelligent Platform Management Interface (IPMI) settings.



### BMC Firmware Revision

This feature indicates the IPMI firmware revision used in your system.

### IPMI Status

This feature indicates the status of the IPMI firmware installed in your system.

### ► System Event Log

#### Enabling/Disabling Options

#### SEL Components

Select Enabled for all system event logging at boot up. The options are Disabled and **Enabled**.

#### Erasing Settings

#### Erase SEL

Select Yes, On next reset to erase all system event logs upon next system reboot. Select Yes, On every reset to erase all system event logs upon each system reboot. Select No to keep all system event logs after each system reboot. The options are **No**, (Yes, On next reset), and (Yes, On every reset).

#### When SEL is Full

This feature allows the user to decide what the BIOS should do when the system event log is full. Select Erase Immediately to erase all events in the log when the system event log is full. The options are **Do Nothing** and Erase Immediately.

## Custom EFI Logging Options

### Log EFI Status Codes

This feature allows the user to disable the logging of EFI Status Codes, enable Error code, enable Progress code, and enable both codes. The options are Disabled, Both, **Error code**, and Progress Code.



**Note:** All values changed here do not take effect until the computer is restarted.

## ►BMC Network Configuration

### BMC Network Configuration

#### Configure IPV4 support

The following features will be displayed:

- IPMI LAN Selection
- IPMI Network Link Status

#### Update IPMI LAN Configuration

Select Yes for the BIOS to implement all IP/MAC address changes at the next system boot. The options are **No** and Yes.

*\*If Update IPMI LAN Configuration is set to Yes, the following features will become available for user's configuration:*

#### Configuration Address Source

This feature allows the user to select the source of the IP address for this computer. If Static is selected, you will need to know the IP address of this computer and enter it to the system manually in the field. If DHCP is selected, the BIOS will search for a DHCP (Dynamic Host Configuration Protocol) server in the network that is attached to and request the next available IP address for this computer. The options are Static and **DHCP**.

#### Station IP Address

This feature displays the Station IP address for this computer. This should be in decimal and in dotted quad form (i.e., 192.168.10.253).

#### Subnet Mask

This feature displays the sub-network that this computer belongs to. The value of each three-digit number separated by dots should not exceed 255.

#### Station MAC Address

This feature displays the Station MAC address for this computer. Mac addresses are six two-digit hexadecimal numbers.

**Gateway IP Address**

This feature displays the Gateway IP address for this computer. This should be in decimal and in dotted quad form (i.e., 172.31.0.1).

**VLAN**

Use this feature to enable or disable the IPMI VLAN function. The options are **Disable** and **Enable**.

*\*If VLAN is set to Enable, the following features will become available for user's configuration:*

**Configure IPV6 support****Lan channel 1****IPV6 Support**

Use this feature to IPV6 support for LAN1. The options are **Disabled** and **Enabled**.

**Configuration Address source**

Use this feature to select the LAN channel parameters. The options are **Unspecified**, **Static**, and **DHCP**.

*\*If the feature above is set to Static, Station IPV6 address, Prefix Length, and IPV6 Router1 IP Address will be available for configuration. If DyanmicBmcDHCP is selected, no features will be available for configuration.*

**Current Configuration Address source****Station IPV6 address**

Use this feature to enter the station IPv6 address. Select the feature and enter the address.

**Prefix Length**

Select a value to change the prefix length.

**IPV6 Router1 IP Address**

Use this feature to enter the IPv6 router1 TP address. Select the feature and enter the address.

- **IPV6 address status**
- **IPV6 DHCP Algorithm**

## 4.6 Security

Use this submenu to create Administrator and User passwords. Using ONLY an Administrator password limits access to BIOS setup. Using ONLY a User password will lock unauthorized users from booting the system and/or entering BIOS setup.



### Administrator Password

Press Enter to create a new, or change an existing Administrator password.

### Minimum Length - 3

### Maximum - 20

### Password Check

Select Setup for the system to check for a password at Setup. Select Always for the system to check for a password at boot up or upon entering the BIOS Setup utility. The options are **Setup** and **Always**.

### ► Secure Boot

#### System Mode - Setup

#### Vendor Keys - Not Modified

**Secure Boot Enable** - The options are Enabled and **Disabled**.

**When a Platform Key(PK) is enrolled, this feature may be enabled.**

#### Secure Boot Mode

Use this feature to select the secure boot mode. The options are Standard and **Custom**.

## CSM Support

Select Enabled to support the EFI Compatibility Support Module (CSM), which provides compatibility support for traditional legacy BIOS for system boot. The options are Disabled and **Enabled**.

*\*If Secure Boot Mode is set to Custom, the following features will become available for user's configuration:*

### ▶ Reset to Setup Mode

This feature deletes the contents of all UEFI Secure Boot key databases. This will result in entering Setup Mode.

### ▶ Restore Factory Keys

This feature resets the content of all UEFI Secure Boot key databases to factory defaults.

### ▶ Key Management

This submenu allows the user to configure the following Key Management settings.

#### Provision Factory Default Keys

Select Enabled to install the default Secure Boot keys set by the manufacturer. The options are **Disabled** and Enabled.

#### ▶ Restore Factory Keys

Select Yes to install factory default Secure Boot keys set by the manufacturer. The options are Yes and No.

#### ▶ Enroll Efi Image

This feature allows the image to run in Secure Boot Mode. Enroll SHA256 Hash Certificate of the image into the Authorized Signature Database.

#### Secure Boot variable: Size/Key#/Key Source

#### ▶ Platform Key (PK)

This feature allows the user to configure the settings of the platform keys.

#### ▶ Key Exchange Keys

Select Yes to load the KEK from the manufacturer's defaults. Select No to load the KEK from a file. The options are **Yes** and No.

**Append Key**

Select Yes to add the KEK from the manufacturer's defaults list to the existing KEK. Select No to load the KEK from a file. The options are Yes and No.

▶ **Authorized Signatures**

**Set New Key**

Select Yes to load the database from the manufacturer's defaults. Select No to load the DB from a file. The options are Yes and No.

**Append Key**

Select Yes to add the database from the manufacturer's defaults to the existing DB. Select No to load the DB from a file. The options are Yes and No.

▶ **Forbidden Signatures**

**Set New Key**

Select Yes to load the DBX from the manufacturer's defaults. Select No to load the DBX from a file. The options are Yes and No.

**Append Key**

Select Yes to add the DBX from the manufacturer's defaults to the existing DBX. Select No to load the DBX from a file. The options are Yes and No.

▶ **Authorized TimeStamps**

**Set New Key**

Select Yes to load the DBT from the manufacturer's defaults. Select No to load the DBT from a file. The options are Yes and No.

**Append Key**

Select Yes to add the DBT from the manufacturer's defaults list to the existing DBT. Select No to load the DBT from a file. The options are Yes and No.

▶ **OsRecovery Signatures**

**Set New Key**

Select Yes to load the DBR from the manufacturer's defaults. Select No to load the DBR from a file. The options are Yes and No.

**Append Key**

Select Yes to add the DBR from the manufacturer's defaults list to the existing DBR. Select No to load the DBR from a file. The options are Yes and No.



## 4.7 Boot

Use this feature to configure Boot Settings: Boot Configuration



### Boot Configuration

#### Setup Prompt Timeout

Enter the wait time in seconds to wait for the setup activation key. Enter 65535 for indefinite wait time. The default is 1.

#### Boot mode select

Use this feature to select the boot mode. The options are **LEGACY**, UEFI, and DUAL.

#### FIXED BOOT ORDER Priorities

- **Boot Option #1**
- **Boot Option #2**
- **Boot Option #3**
- **Boot Option #4**
- **Boot Option #5**
- **Boot Option #6**
- **Boot Option #7**
- **Boot Option #8**

The options are Hard Dish, CD/DVD, USB Hard Disk, USB CD/DVD, USB Key, USB Floppy, USB Lan, Network, and Disabled.

▶ **Delete Driver Option**

▶ **NETWORK Drive BBS Priorities**

This feature allows the user to specify which UEFI network drive devices are boot devices.

**Boot Option #1**

▶ **Save Changes and Reset**

This feature resets the system after saving changes.

▶ **Discard Changes and Reset**

This feature resets the system without saving changes.

▶ **Save Changes**

This feature saves changes, but does not reset the system.

▶ **Discard Changes**

This feature discards changes, but does not reset the system.

▶ **Restore Defaults**

This feature restores defaults to all setup options.

▶ **Save as User Defaults**

This feature saves all changes made so far and makes them the new defaults.

▶ **Restore User Defaults**

This feature restores all setup options to the user defaults.

## 4.8 Save & Exit

Select the Exit tab from the BIOS setup utility screen to enter the Exit BIOS Setup screen.



### Save Options

#### Discard Changes and Exit

Use this feature to quit the BIOS Setup without making any permanent changes to the system configuration, and reboot the computer. Select Discard Changes and Exit from the Exit menu and press <Enter>.

#### Save Changes and Reset

When you have completed the system configuration changes, select this feature to leave the BIOS setup utility and then reboot the computer, which will allow the new system configuration parameters to take effect. Select Save Changes and Exit from the Exit menu and press <Enter>.

#### Save Changes

After completing the system configuration changes, select this option to save the changes made. This will not reset (reboot) the system.

#### Discard Changes

Select this feature and press <Enter> to discard all the changes and return to the AMI BIOS utility Program.

## **Default Options**

### **Restore Defaults**

To set this feature, select Restore Optimized Defaults from the Save & Exit menu and press <Enter>. These are factory settings designed for maximum system stability, but not for maximum performance.

### **Save As User Defaults**

To set this feature, select Save as User Defaults from the Exit menu and press <Enter>. This enables the user to save any changes to the BIOS setup for future use.

### **Restore User Defaults**

To set this feature, select Restore User Defaults from the Exit menu and press <Enter>. Use this feature to retrieve user-defined settings that were saved previously.

### **Boot Override**

This feature allows the user to override the Boot priorities sequence in the Boot menu, and immediately boot the system with a device specified by the user instead of the one specified in the boot list. This is a one-time override.

### **Launch EFI Shell from filesystem device.**

Attempts to Launch EFI Shell application (Shell.efi) from one of the available file system devices.

# Appendix A

## BIOS Codes

### BIOS Error POST (Beep) Codes

During the POST (Power-On Self-Test) routines, which are performed upon each system boot, errors may occur.

**Non-fatal errors** are those which, in most cases, allow the system to continue to boot. These error messages normally appear on the screen.

**Fatal errors** will not allow the system to continue with boot up. If a fatal error occurs, you should consult with your system manufacturer for possible repairs.

These fatal errors are usually communicated through a series of audible beeps. The table below lists some common errors and their corresponding beep codes encountered by users.

BIOS Beep (POST) Codes		
Beep Code	Error Message	Description
1 beep	Refresh	Circuits have been reset (Ready to power up)
5 short, 1 long	Memory error	No memory detected in system
5 long, 2 short	Display memory read/write error	Video adapter missing or with faulty memory
1 long continuous	System OH	System overheat condition

## Appendix B

### Software

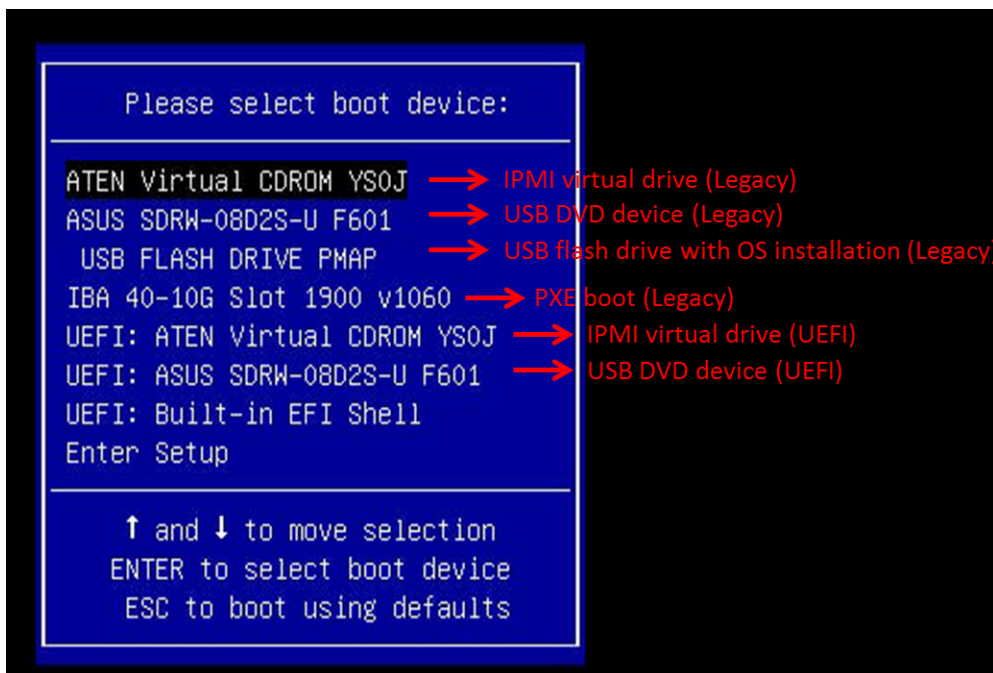
After the hardware has been installed, you can install the Operating System (OS), configure RAID settings and install the drivers.

#### B.1 Microsoft Windows OS Installation

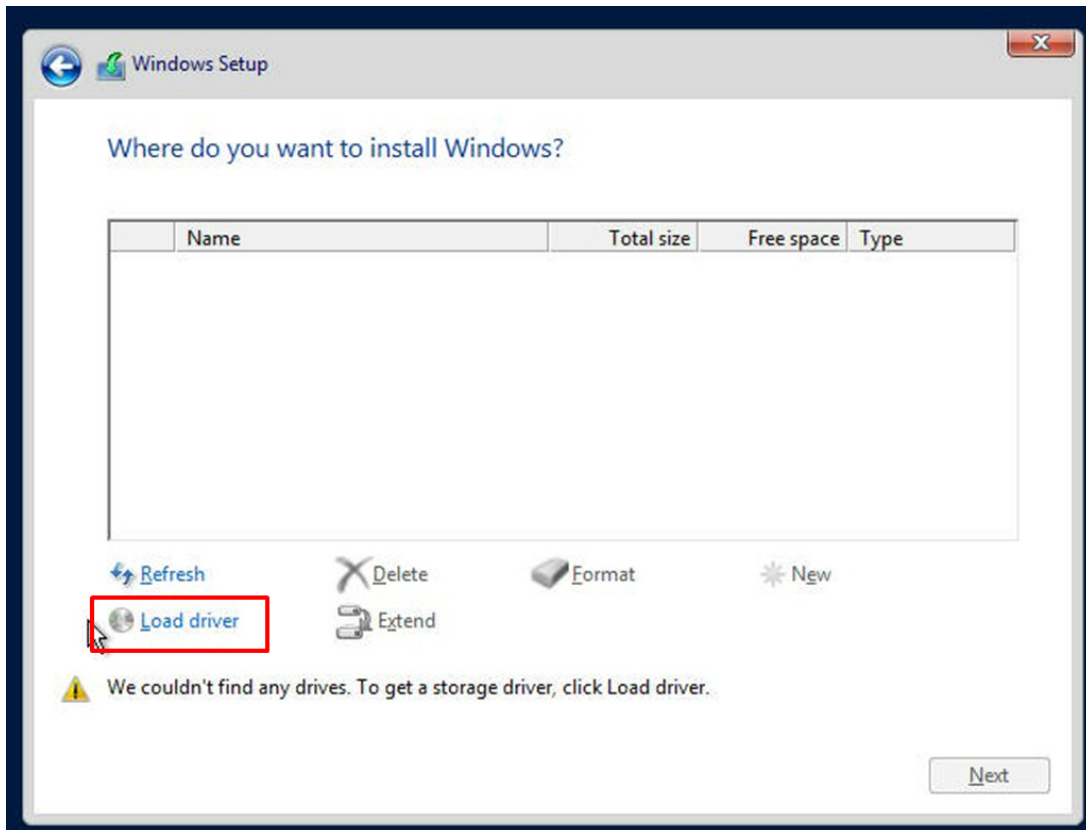
If you will be using RAID, you must configure RAID settings before installing the Windows OS and the RAID driver. Refer to the RAID Configuration User Guides posted on our website at [www.supermicro.com/support/manuals](http://www.supermicro.com/support/manuals).

##### Installing the OS

1. Create a method to access the MS Windows installation ISO file. That might be a DVD, perhaps using an external USB/SATA DVD drive, or a USB flash drive, or the IPMI KVM console.
2. Retrieve the proper RST/RSTe driver. Go to the Supermicro web page for your motherboard and click on "Download the Latest Drivers and Utilities", select the proper driver, and copy it to a USB flash drive.
3. Boot from a bootable device with Windows OS installation. You can see a bootable device list by pressing **F11** during the system startup.



4. During Windows Setup, continue to the dialog where you select the drives on which to install Windows. If the disk you want to use is not listed, click on “Load driver” link at the bottom left corner.



To load the driver, browse the USB flash drive for the proper driver files.

- For RAID, choose the SATA/sSATA RAID driver indicated then choose the storage drive on which you want to install it.
  - For non-RAID, choose the SATA/sSATA AHCI driver indicated then choose the storage drive on which you want to install it.
5. Once all devices are specified, continue with the installation.
  6. After the Windows OS installation has completed, the system will automatically reboot multiple times.

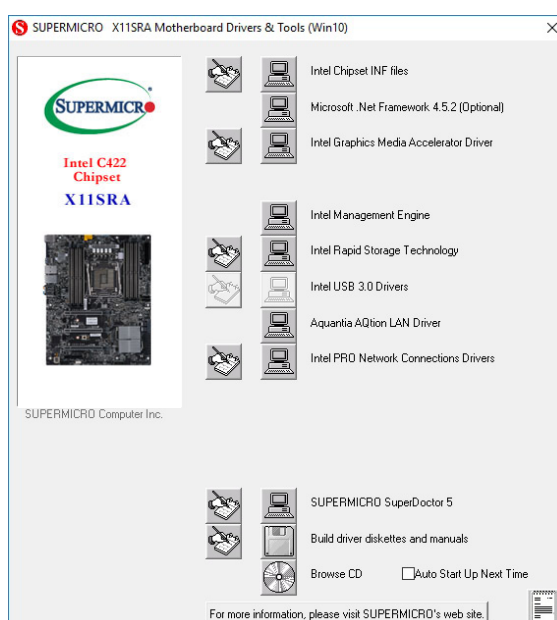
## B.2 Driver Installation


The Supermicro website that contains drivers and utilities for your system is at <https://www.supermicro.com/wftp/driver>. Some of these must be installed, such as the chipset driver.

After accessing the website, go into the CDR\_Images (in the parent directory of the above link) and locate the ISO file for your motherboard. Download this file to a USB flash drive or a DVD. (You may also use a utility to extract the ISO file if preferred.)

Another option is to go to the Supermicro website at <http://www.supermicro.com/products/>. Find the product page for your motherboard, and "Download the Latest Drivers and Utilities".

Insert the flash drive or disk and the screenshot shown below should appear.



 **Note:** Click the icons showing a hand writing on paper to view the readme files for each item. Click the computer icons to the right of these items (from top to bottom) one at a time. **After installing each item, you must reboot the system before moving on to the next item on the list.** The bottom icon with a CD on it allows you to view the entire contents.



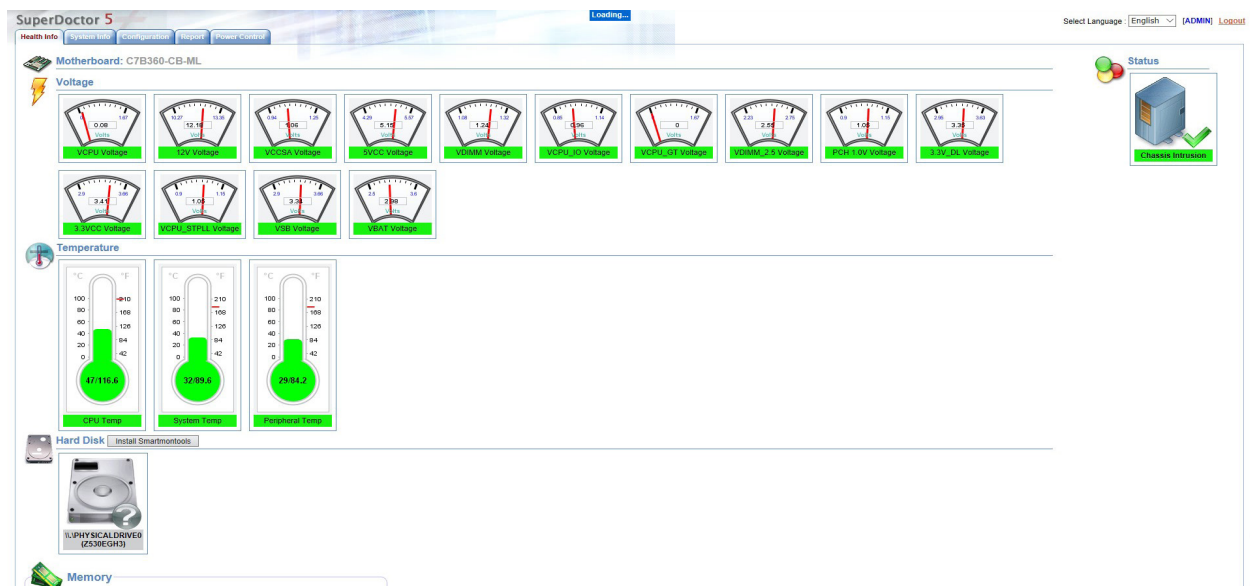
## B.3 SuperDoctor 5

The Supermicro SuperDoctor 5 is a program that functions in a command-line or web-based interface for Windows and Linux operating systems. The program monitors such system health information as CPU temperature, system voltages, system power consumption, fan speed, and provides alerts via email or Simple Network Management Protocol (SNMP).

SuperDoctor 5 comes in local and remote management versions and can be used with Nagios to maximize your system monitoring needs. With SuperDoctor 5 Management Server (SSM Server), you can remotely control power on/off and reset chassis intrusion for multiple systems with SuperDoctor 5 or IPMI. SuperDoctor 5 Management Server monitors HTTP and SMTP services to optimize the efficiency of your operation.



**Note:** The default Username and Password for SuperDoctor 5 is ADMIN / ADMIN.



## B.4 IPMI

The X11SRA-F/-RF supports the Intelligent Platform Management Interface (IPMI). IPMI is used to provide remote access, monitoring and management. There are several BIOS settings that are related to IPMI.

For general documentation and information on IPMI, please visit our website at: <http://www.supermicro.com/products/nfo/IPMI.cfm>.

## B.5 Logging into the BMC (Baseboard Management Controller)

Supermicro ships standard products with a unique password for the BMC user. This password can be found on a label on the motherboard.

When logging in to the BMC for the first time, please use the unique password provided by Supermicro to log in. You can change the unique password to a user name and password of your choice for subsequent logins.

For more information regarding BMC passwords, please visit our website at <http://www.supermicro.com/bmcpassword>.

## Appendix C

### Standardized Warning Statements

The following statements are industry standard warnings, provided to warn the user of situations which have the potential for bodily injury. Should you have questions or experience difficulty, contact Supermicro's Technical Support department for assistance. Only certified technicians should attempt to install or configure components.

Read this section in its entirety before installing or configuring components.

These warnings may also be found on our website at [http://www.supermicro.com/about/policies/safety\\_information.cfm](http://www.supermicro.com/about/policies/safety_information.cfm).

#### Battery Handling



**Warning!** There is the danger of explosion if the battery is replaced incorrectly. Replace the battery only with the same or equivalent type recommended by the manufacturer. Dispose of used batteries according to the manufacturer's instructions

#### 電池の取り扱い

電池交換が正しく行われなかった場合、破裂の危険性があります。交換する電池はメーカーが推奨する型、または同等のものを使用下さい。使用済電池は製造元の指示に従って処分して下さい。

#### 警告

電池更換不當會有爆炸危險。請只使用同類電池或製造商推薦的功能相當的電池更換原有電池。請按製造商的說明處理廢舊電池。

#### 警告

電池更換不當會有爆炸危險。請使用製造商建議之相同或功能相當的電池更換原有電池。請按照製造商的說明指示處理廢棄舊電池。

#### Warnung

Bei Einsetzen einer falschen Batterie besteht Explosionsgefahr. Ersetzen Sie die Batterie nur durch den gleichen oder vom Hersteller empfohlenen Batterietyp. Entsorgen Sie die benutzten Batterien nach den Anweisungen des Herstellers.

#### Attention

Danger d'explosion si la pile n'est pas remplacée correctement. Ne la remplacer que par une pile de type semblable ou équivalent, recommandée par le fabricant. Jeter les piles usagées conformément aux instructions du fabricant.

#### ¡Advertencia!

Existe peligro de explosión si la batería se reemplaza de manera incorrecta. Reemplazar la batería exclusivamente con el mismo tipo o el equivalente recomendado por el fabricante. Desechar las baterías gastadas según las instrucciones del fabricante.

#### אזהרה!

קיימת סכנת פיצוץ של הסוללה במידה והוחלפה בדרך לא תקינה. יש להחליף את הסוללה בסוג התואם מחברת יצרן מומלצת. סילוק הסוללות המשומשות יש לבצע לפי הוראות היצרן.

هناك خطر من انفجار في حالة اسبدال البطارية بطريقة غير صحيحة فعلى اسبدال البطارية فقط بنفس النوع أو ما يعادلها مما أوصت به الشركة المصنعة جخلص من البطاريات المسحمة وفقا لتعليمات الشركة الصانعة

#### 경고!

배터리가 올바르게 교체되지 않으면 폭발의 위험이 있습니다. 기존 배터리와 동일하거나 제조사에서 권장하는 동등한 종류의 배터리로만 교체해야 합니다. 제조사의 안내에 따라 사용된 배터리를 처리하여 주십시오.

#### Waarschuwing

Er is ontploffingsgevaar indien de batterij verkeerd vervangen wordt. Vervang de batterij slechts met hetzelfde of een equivalent type die door de fabrikant aanbevolen wordt. Gebruikte batterijen dienen overeenkomstig fabrieksvoorschriften afgevoerd te worden.

## Product Disposal



**Warning!** Ultimate disposal of this product should be handled according to all national laws and regulations.

### 製品の廃棄

この製品を廃棄処分する場合、国の関係する全ての法律・条例に従い処理する必要があります。

#### 警告

本产品的废弃处理应根据所有国家的法律和规章进行。

#### 警告

本產品的廢棄處理應根據所有國家的法律和規章進行。

#### Warnung

Die Entsorgung dieses Produkts sollte gemäß allen Bestimmungen und Gesetzen des Landes erfolgen.

#### ¡Advertencia!

Al deshacerse por completo de este producto debe seguir todas las leyes y reglamentos nacionales.

#### Attention

La mise au rebut ou le recyclage de ce produit sont généralement soumis à des lois et/ou directives de respect de l'environnement. Renseignez-vous auprès de l'organisme compétent.

סילוק המוצר

אזהרה!

סילוק סופי של מוצר זה חייב להיות בהתאם להנחיות וחוקי המדינה.

عند التخلص النهائي من هذا المنتج ينبغي التعامل معه وفقا لجميع القوانين واللوائح الوطنية

#### 경고!

이 제품은 해당 국가의 관련 법규 및 규정에 따라 폐기되어야 합니다.

#### Waarschuwing

De uiteindelijke verwijdering van dit product dient te geschieden in overeenstemming met alle nationale wetten en reglementen.

## Appendix D

### UEFI BIOS Recovery

**Warning:** Do not upgrade the BIOS unless your system has a BIOS-related issue. Flashing the wrong BIOS can cause irreparable damage to the system. In no event shall Supermicro be liable for direct, indirect, special, incidental, or consequential damages arising from a BIOS update. If you need to update the BIOS, do not shut down or reset the system while the BIOS is updating to avoid possible boot failure.

#### D.1 Overview

The Unified Extensible Firmware Interface (UEFI) provides a software-based interface between the operating system and the platform firmware in the pre-boot environment. The UEFI specification supports an architecture-independent mechanism that will allow the UEFI OS loader stored in an external storage device to boot the system. The UEFI offers clean, hands-off management to a computer during system boot.

#### D.2 Recovering the UEFI BIOS Image

A UEFI BIOS flash chip consists of a recovery BIOS block and a main BIOS block (a main BIOS image). The recovery block contains critical BIOS codes, including memory detection and recovery codes for the user to flash a healthy BIOS image if the original main BIOS image is corrupted. When the system power is turned on, the recovery block codes execute first. Once this process is complete, the main BIOS code will continue with system initialization and the remaining POST (Power-On Self-Test) routines.



**Note 1:** Follow the BIOS recovery instructions in [Section D.3](#) for BIOS recovery when the main BIOS block crashes.

**Note 2:** If the recovery instructions in [Section D.3](#) for BIOS recovery fail, you may use the Supermicro Update Manager (SUM) Out-of-Band (OOB) ([https://www.supermicro.com.tw/products/nfo/SMS\\_SUM.cfm](https://www.supermicro.com.tw/products/nfo/SMS_SUM.cfm)) to reflash the BIOS.


**Note 3:** If the recovery block processes stated in Note 1 and Note 2 above fail, you will need to follow the procedures to make a Returned Merchandise Authorization (RMA) request. Refer to [Section 3.5](#) for more information about the RMA request.

## D.3 Recovering the Main BIOS Block with a USB Device

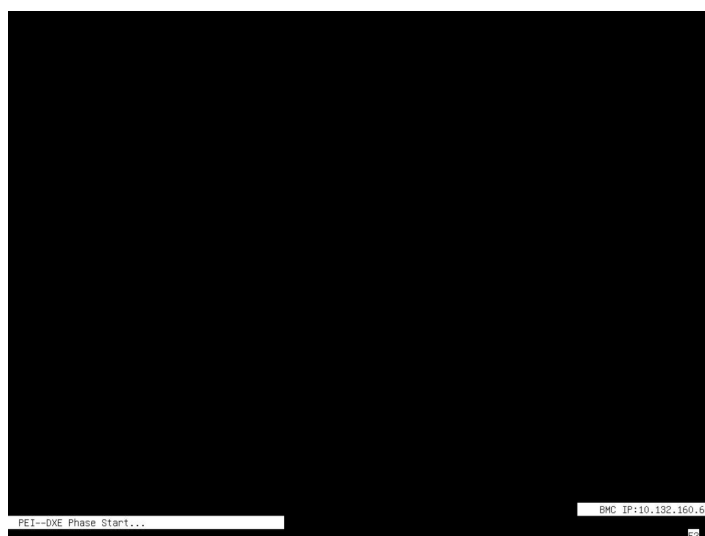
This feature allows the user to recover the main BIOS image using a USB-attached device without additional utilities used. A USB flash device such as a USB Flash Drive, or a USB CD/DVD ROM/RW device can be used for this purpose. However, a USB hard disk drive cannot be used for BIOS recovery at this time. The file system supported by the recovery block is FAT (including FAT12, FAT16, and FAT32) which is installed on a bootable or non-bootable USB-attached device.

To perform UEFI BIOS recovery using a USB-attached device, follow the instructions below.

1. Please use a different machine to download the BIOS package for your motherboard or your system from the product page available on our website at [www.supermicro.com](http://www.supermicro.com).
2. Extract the BIOS package to a USB device and rename the BIOS ROM file [BIOSname#.###] that is included in the BIOS package to SUPER.ROM for BIOS recovery use.
3. Copy the SUPER.ROM file into the Root "\\" directory of the USB device.


 **Note:** Before recovering the main BIOS image, confirm that the SUPER.ROM file you have is the same version or a close version meant for your motherboard.

4. Insert the USB device that contains the SUPER.ROM file into the system before you power on the system or when the following screen appears.



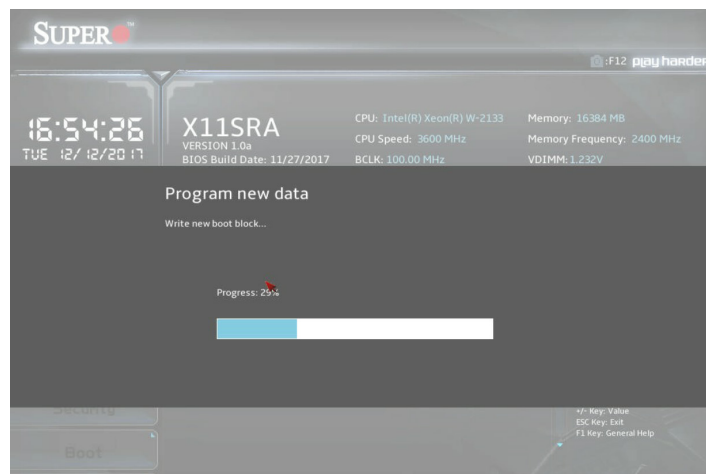
5. After locating the SUPER.ROM file, the system will enter the BIOS Recovery menu as shown below.



 **Note:** At this point, you may decide if you want to start the BIOS recovery. If you decide to proceed with BIOS recovery, follow the procedures below.

6. When the screen as shown above displays, use the arrow keys to select the item "Proceed with flash update" and press the <Enter> key. You will see the BIOS recovery progress as shown in the screen below.


 **Note:** Do not interrupt the BIOS flashing process until it is complete.



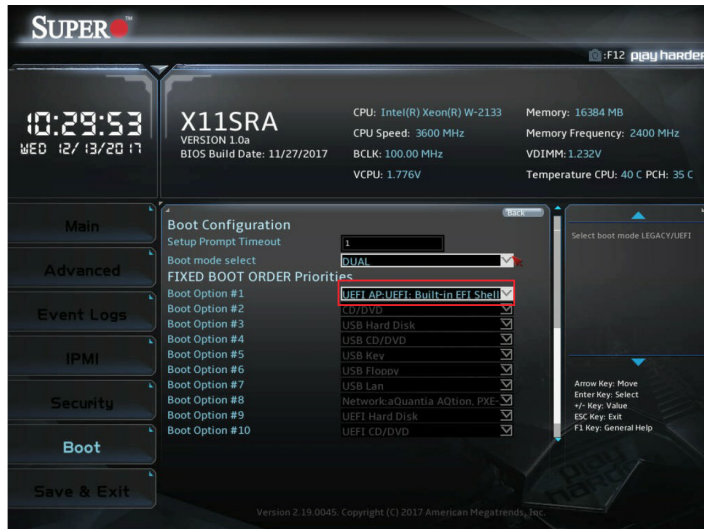


7. After the BIOS recovery process is complete, press any key to reboot the system.



 **Note:** It is recommended that you update your BIOS after BIOS recovery. Please refer to [Chapter 3](#) for BIOS update instructions.

8. Press <Del> during system boot to enter the BIOS Setup utility. From the top of the tool bar, select Boot to enter the submenu. From the submenu list, select Boot Option #1 as shown below. Then, set Boot Option #1 to [UEFI AP:UEFI: Built-in EFI Shell]. Press <F4> to save the settings and exit the BIOS Setup utility.



- When the UEFI Shell prompt appears, type `fs#` to change the device directory path. Go to the directory that contains the BIOS package you extracted earlier from [Step 2](#). Enter `flash.nsh BIOSname#.###` at the prompt to start the BIOS update process.

```

UEFI Interactive Shell v2.1
EDK II
UEFI V2.50 (American Megatrends, 0x0005000C)
Mapping table
FS0: Alias(s) CHDR0b:BLK1:
  PciRoot(0x0)/Pci(0x14,0x0)/USB(0x11,0x0)/H0(1,MBR,0x37901072,0x800,0x1
CA3952)
BLK0: Alias(s):
  PciRoot(0x0)/Pci(0x14,0x0)/USB(0x11,0x0)
Press ESC in 1 seconds to skip startup.nsh or any other key to continue.
Shell: FS0:
FS0:\> cd \AFUDOS
FS0:\AFUDOS> cd SHJPM2_03162017
FS0:\AFUDOS\SHJPM2_03162017> flash.nsh X11DPU7.314_
    
```



**Note:** Do not interrupt this process until the BIOS flashing is complete.

```

Done.
[ Access Cmos Port Ex ]
<Read>
Index 0x51: 0x18

Done.
*****
*
* Program BIOS and ME (including FDT) regions...
*
*****
-----|-----
|          AMI Firmware Update Utility v5.09.01.1317          |
|          Copyright (C)2017 American Megatrends Inc. All Rights Reserved.          |
|-----|-----
CPUID = 50652

Reading flash ..... done
- ME Data Size checking . ok
- FFS checksums ..... ok
- Check RomLayout ..... Ok
Erasing Boot Block ..... done
Updating Boot Block ..... done
Verifying Boot Block ..... done
_Erasing Main Block ..... 0x00132000 (0x)
    
```

- The screen above indicates that the BIOS update process has completed. Reboot the system when you see the screen below.

```

Verifying NCB Block ..... done
- Update success for FDR
- Update success for IE. -
- Successful Update Recovery Loader to 0PRx!!
- Successful Update MFSB!!
- Successful Update FTRP!!
- Successful Update MFS, IVB1 and IVB2!!
- Successful Update FLOG and UTOK!!
- ME Entire Image update success !!
WARNING - System must power-off to have the changes take effect
Moving FS0:\AFUDOS\SHJPM2_03162017\afuef1x64.efi -> FS0:\AFUDOS\SHJPM2_03162017\afuef1.smc
- [ok]
Moving FS0:\AFUDOS\SHJPM2_03162017\afuef1x64.efi -> FS0:\AFUDOS\SHJPM2_03162017\afuef1.smc
- [ok]
*****
*
* Please ignore this 'Shell: Cannot read from file - Device Error'
* warning message due to it does not impact flashing process.
*
*****
Deleting 'afuef1.smc'
Delete successful.
FS0:\>
    
```