

DHI-ITALE-160BA-C3525

Warm Light Continuous LED Illuminator



The illuminator (DHI-ITALE-160BA) is a high-performance auxiliary light source in the intelligent traffic field. It supports synchronized illumination for both capture and video, and integrates LED strobe, flashlight and continuous light together. The illuminator adopts intelligent control technology to realize short flash interval, short flash duration and clear snapshots. The thermal insulation design prolongs product life. The illuminator can be connected to traffic cameras through RS-485 to automatically turn on at night with brightness adjustable, and it combines the unique oriented-illumination technology to effectively reduce light pollution and help modern city traffic management.

Functions

Integrated Functions

The illuminator works as a continuous light and a flashlight with imported high-performance LED.

Highlighted Illumination

The unique high power design realizes highlighted illumination on 3 lanes.

Low Cost Maintenance

connect to cameras (Dahua traffic cameras only) through RS-485 to display maintenance information of the illuminator (such as temperature, power and more).

Capture Synchronization

The illuminator flashes when the camera captures for better illumination effect on human faces inside car windows.

Adjustable Brightness

The brightness (wide range) of the LED strobe is adjustable on the camera web interface.

Adjustable Pulse Width

The pulse width of the LED flashlight (0 ms–5 ms) and strobe (0 ms–3 ms) is adjustable on the camera web interface.

- Integrates functions such as LED continuous light, flashlight illumination and RS-485 maintenance.
- Adjustable pulse width meets the brightness requirements of different scenarios.
- Displays the error status of the illuminator on the camera web interface.
- Less than 10 ms flash interval allows the camera to capture multiple snapshots.

Short Flash Interval

To meet the traffic camera requirement of continuous capture, the flash interval is no more than 10 ms.

Trigger Mode

Supports low electrical level and pulse width trigger.

Flash Counting

You can quickly locate the signal interference on site through counting the times of the illuminator flash and being triggered (times of external signal input).

Anti-interference

Filters the detected pulse width (below the configured threshold) to ensure proper work and improve reliability of the illuminator.

Shielding False Trigger

To ensure proper work and prolong product life, the illuminator supports shielding false triggering. When external triggering exceeds the defined false triggering threshold, the illuminator goes into protection mode, during which it responds to the next triggering after 10 s (Default threshold value is 3, meaning that 3 flashes are allowed in 500 ms, 4 flashes in 1 s and 8 flashes in 3 s).

Remote Error Display

Displays the working and error status of the illuminator on the camera (Dahua traffic cameras only) web interface.

Creative Structure

Streamline design, simple appearance and high saturation greatly improve the protection level (waterproof and dust-free) of the illuminator. The internal heat dissipation design effectively prevents the illuminator from overheating.

Illuminator | DHI-ITALE-160BA-C3525

Scene

The illuminator is primarily used for ANPR and E-police systems to provide lights for recognizing license plates (especially at night) and other vehicle attributes (such as vehicle models), and capturing traffic violations.

Technical Specification

Basic

Illuminator Type	LED
Light Source	Visible light
Color Temperature	3500 K
Center Illuminance	< 40 lx (20 m away from the illuminator)
Trigger Mode	Pulse width trigger/edge trigger
Spot Coverage	3 standard lane (installation height: 6 m (19.69 ft), capture distance: 26 m (85.30 ft))
Illumination Distance	16 m–26 m (52.49 ft–85.30 ft)
Flash Interval	≤ 60 ms, meeting the time requirements of taking 3 snapshots consecutively by the camera

LED

Number of LED	42 (imported white LED)
Luminous Flux	1800 lm
Color Rendering Index (CRI)	> 65
Angle of LED Lens	10° × 30°

Function

Day/Night	Supports day/night switch. Sensitivity levels 1–6 can be set
Working Mode	Continuous light
Status Display	Supports remotely displaying the running or fault status of the illuminator on the the camera (Dahua traffic cameras only) web interface
Power Detection	Displays real-time power of the illuminator
Temperature Detection	Displays real-time temperature of the illuminator
Photosensitivity Value	Display real-time photosensitivity value of the illuminator
Remote Fault Display	Supports current and voltage exception detection
Brightness Adjustment	Brightness levels 1–20 can be set
Capture and Flash Synchronization	Yes
Video and Flash Synchronization	Yes
False Trigger Shielding	Yes
Anti-interference	Yes

External Port

I/O	1
Flash	1
Strobe Input	1

RS-485	1
--------	---

General

Power Supply	100–240 VAC
Power Consumption	≤ 60 W
Operating Temperature	–40°C to +70°C (–40°F to +158°F)
Operating Humidity	10%–90% (RH, non-condensing)
Protection Grade	IP66
Dimensions	258.0 mm × 250.9 mm × 127.0 mm (10.16" × 9.88" × 5.00") (L × W × H)
Net Weight	3.6 kg (7.94 lb)
Gross Weight	4.1 kg (9.04 lb)
Installation	Universal bracket mount

Ordering Information

Type	Model	Description
Illuminator	DHI-ITALE-160BA-C3525	Warm light continuous LED illuminator
Accessories	8018	3-dimensional universal mounting bracket

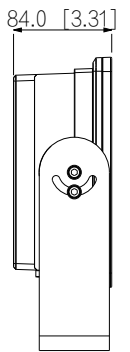
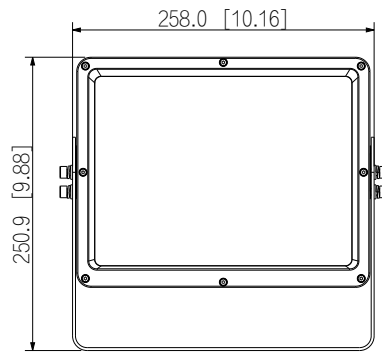
Accessories

Optional:

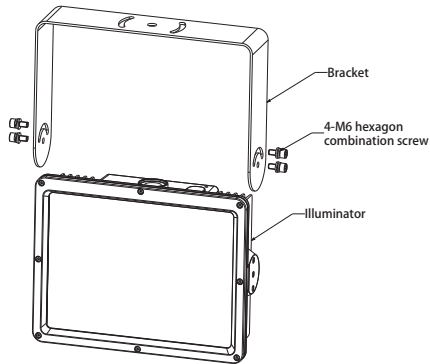


8018
3-dimensional universal
mounting bracket

Dimensions (mm[inch])



Hang mount



Upright mount

