



**SUPER**™

**Server Quality, Built for Gaming**

**C9X299-PGF  
C9X299-RPGF**

**ENGLISH**  
繁體中文  
简体中文  
日本語  
한국어

**QUICK REFERENCE GUIDE**

Revision 1.0a



## Standardized Warning Statements

### Motherboards

#### About Standardized Warning Statements

The following statements are industry standard warnings, provided to warn the user of situations which can potentially cause a bodily injury. Should you have questions or experience difficulty, contact Supermicro's Technical Support Department for assistance. Only certified technicians should attempt to install or configure components.

Read this section in its entirety before installing or configuring components in the Supermicro chassis.



**WARNING:** This product can expose you to chemicals including lead, known to the State of California to cause cancer and birth defects or other reproductive harm. For more information, go to [www.P65Warnings.ca.gov](http://www.P65Warnings.ca.gov).

#### Battery Handling



##### Warning!

There is a danger of explosion if the battery is replaced incorrectly. Replace the battery only with the same or an equivalent type recommended by the manufacturer. Dispose of used batteries according to the manufacturer's instructions.

##### 警告

電池更換不當會有爆炸危險。請使用製造商建議之相同或功能相當的電池更換原有電池。請按照製造商的說明指示處理廢棄舊電池。

##### 警告

電池更換不當會有爆炸危險。請只使用同類電池或製造商推薦的功能相當的電池更換原有電池。請按製造商的說明處理廢舊電池。

##### 電池の取り扱い

電池交換が正しく行われなかった場合、破裂の危険性があります。交換する電池はメーカーが推奨する型、または同等のものを使用下さい。使用済電池は製造元の指示に従って処分して下さい。

##### 경고!

배터리가 올바르게 교체되지 않으면 폭발의 위험이 있습니다. 기존 배터리와 동일하거나 제조사에서 권장하는 동등한 종류의 배터리로만 교체해야 합니다. 제조사의 안내에 따라 사용된 배터리를 처리하여 주십시오.

هناك خطر من انفجار في حالة استبدال البطارية بطريقة غير صحيحة فعليك استبدال البطارية فقط بنفس النوع أو ما يعادلها كما أوصت به الشركة المصنعة تخلص من البطاريات المستعملة وفقا لتعليمات الشركة الصانعة

## 限用物質含有情況標示聲明書

## Declaration of the Presence Condition of the Restricted Substances Marking

|                                                                                                                                                                                                                                                     |                                                              |                  |                  |                                                      |                                              |                                                      |
|-----------------------------------------------------------------------------------------------------------------------------------------------------------------------------------------------------------------------------------------------------|--------------------------------------------------------------|------------------|------------------|------------------------------------------------------|----------------------------------------------|------------------------------------------------------|
| 設備名稱：主機板 / Motherboard , 型號 ( 型式 ) : C9X299-PGF, C9X299-RPGF<br>Equipment name Type designation (Type)                                                                                                                                              |                                                              |                  |                  |                                                      |                                              |                                                      |
| 單元 Unit                                                                                                                                                                                                                                             | 限用物質及其化學符號<br>Restricted substances and its chemical symbols |                  |                  |                                                      |                                              |                                                      |
|                                                                                                                                                                                                                                                     | 鉛Lead<br>(Pb)                                                | 汞Mercury<br>(Hg) | 鎘Cadmium<br>(Cd) | 六價鉻<br>Hexavalent<br>chromium<br>(Cr <sup>+6</sup> ) | 多溴聯苯<br>Polybrominated<br>biphenyls<br>(PBB) | 多溴二苯醚<br>Polybrominated<br>diphenyl ethers<br>(PBDE) |
| 主機板<br>(Motherboard)                                                                                                                                                                                                                                | —                                                            | ○                | ○                | ○                                                    | ○                                            | ○                                                    |
| 備考1. “超出0.1 wt %” 及 “超出0.01 wt %” 係指限用物質之百分比含量超出百分比含量基準值。<br>Note 1 : “Exceeding 0.1 wt %” and “exceeding 0.01 wt %” indicate that the percentage content of the restricted substance exceeds the reference percentage value of presence condition. |                                                              |                  |                  |                                                      |                                              |                                                      |
| 備考2. “○” 係指該項限用物質之百分比含量未超出百分比含量基準值。<br>Note 2 : “○” indicates that the percentage content of the restricted substance does not exceed the percentage of reference value of presence.                                                                |                                                              |                  |                  |                                                      |                                              |                                                      |
| 備考3. “—” 係指該項限用物質為排除項目。<br>Note 3 : The “—” indicates that the restricted substance corresponds to the exemption.                                                                                                                                   |                                                              |                  |                  |                                                      |                                              |                                                      |

## AMI BIOS POST Codes

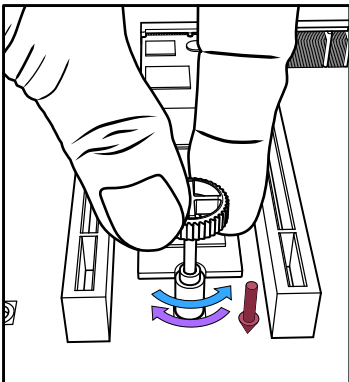
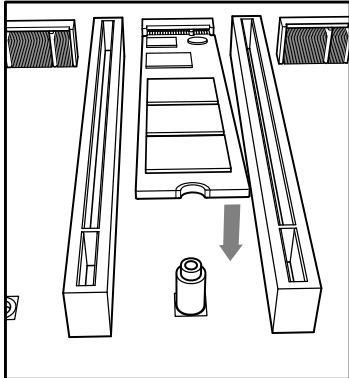
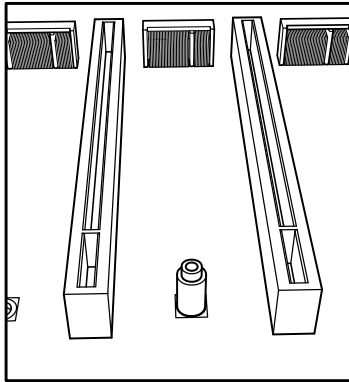
### About AMI BIOS POST Codes

The table below lists some of AMI BIOS POST codes for C9X299-PGF/-RPGF. For more information, refer to [https://www.supermicro.com.tw/manuals/other/AMI\\_AptioV\\_BIOS\\_POST\\_Codes\\_for\\_SM\\_Motherboards.pdf](https://www.supermicro.com.tw/manuals/other/AMI_AptioV_BIOS_POST_Codes_for_SM_Motherboards.pdf).

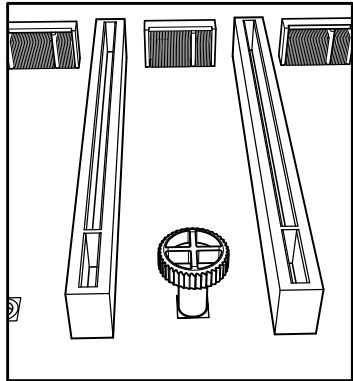
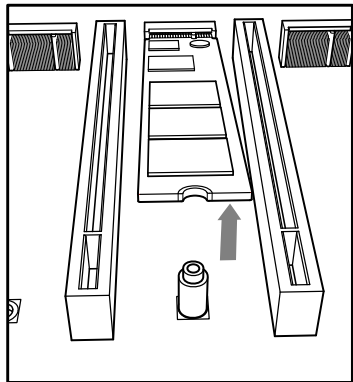
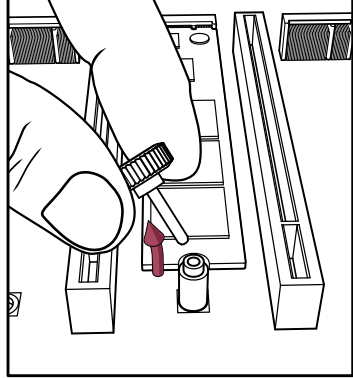
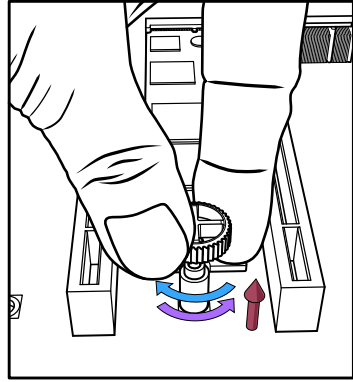
| Code | Description                                |
|------|--------------------------------------------|
| 0x32 | CPU post-memory initialization is started  |
| 0x55 | No Memory detected or memory failed        |
| 0x63 | CPU DXE initialization is started          |
| 0x69 | North Bridge DXE initialization is started |
| 0x70 | South Bridge DXE initialization is started |
| 0x92 | PCI Bus initialization is started          |
| 0x99 | Super IO Initialization                    |
| 0x9A | USB initialization is started              |
| 0xA0 | IDE initialization is started              |
| 0xA9 | Boot into BIOS setup menu                  |
| 0xAE | Legacy Boot event                          |
| 0xB2 | Legacy Option ROM Initialization           |
| 0xB4 | USB hot plug                               |
| 0xD6 | No console output devices are found        |
| 0xD7 | No console input devices are found         |
| 0xF2 | Recovery process started                   |
| 0xF9 | Recovery capsule is not found              |

### M.2 Device Installation and Removal Instructions

#### M.2 Device Installation



#### M.2 Device Removal

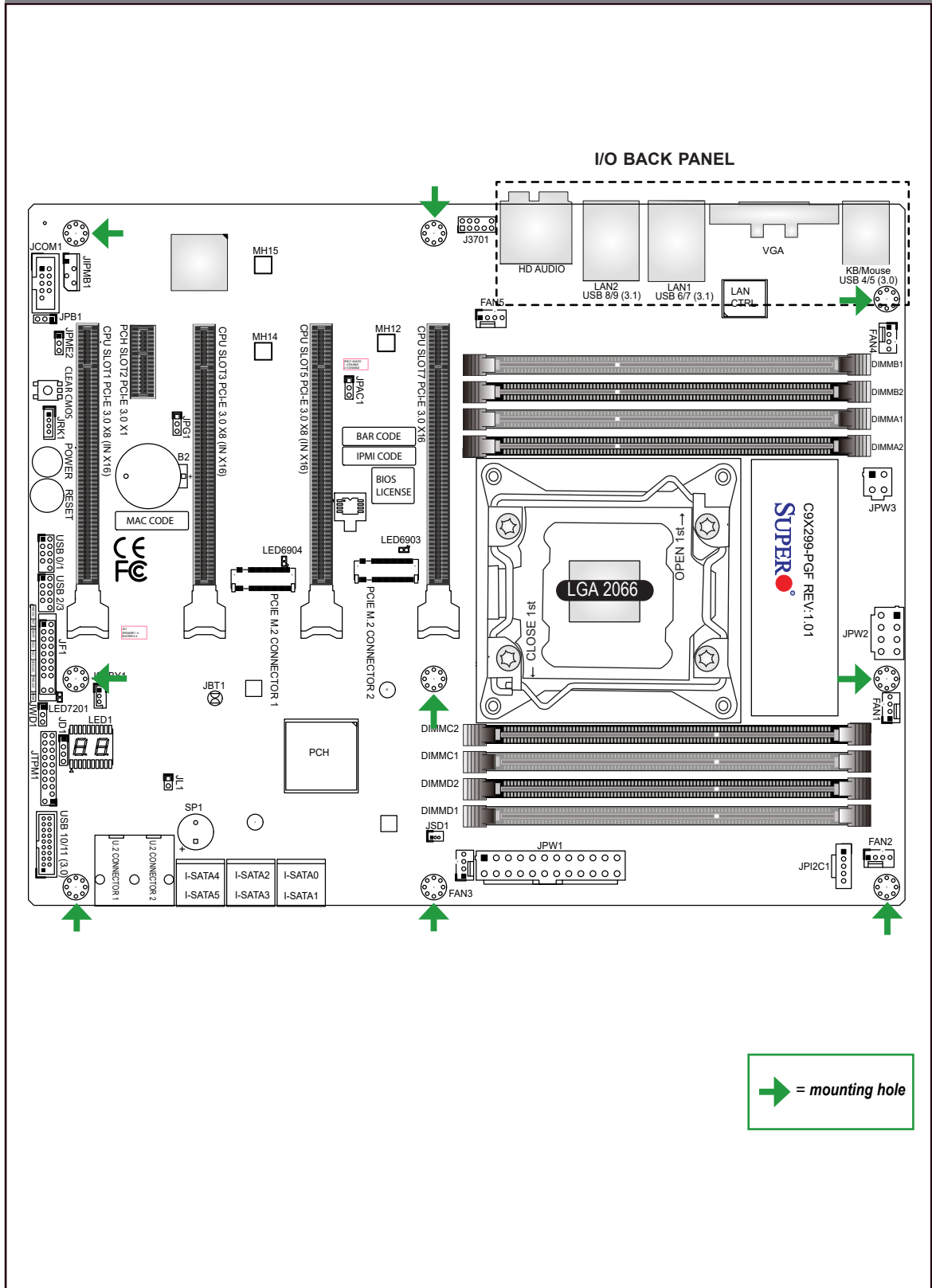


---

# Notes

---

## Motherboard Layout and Features





## PACKAGE CONTENTS

- One Supermicro Motherboard
- Four SATA Cables
- One Quick Reference
- One I/O Shield
- One Driver CD

## Jumpers and Connectors

### Jumpers

| Jumper       | Description                 | Default                  |
|--------------|-----------------------------|--------------------------|
| CLEAR CMOS   | Clear CMOS Switch           | Push Button Switch       |
| JBT1         | Clear CMOS (onboard)        | Short Pads to Clear CMOS |
| JPAC1        | Audio Enable                | Pins 1-2 (Enabled)       |
| JPB1         | IPMI Function               | Pins 1-2 (Enabled)       |
| JPG1         | VGA Enable/Disable          | Pins 1-2 (Enabled)       |
| JPME2        | Intel Manufacturing Mode    | Pins 1-2 (Normal)        |
| JWD1         | Watch Dog Function Enable   | Pins 1-2 (RST)           |
| POWER BUTTON | Internal Power Button       | Push Button Switch       |
| RESET BUTTON | Onboard System Reset Button | Push Button Switch       |

### Connectors

| Connector               | Description                                                                                                 |
|-------------------------|-------------------------------------------------------------------------------------------------------------|
| B2                      | Onboard Battery                                                                                             |
| FAN1 ~ FAN5             | System/CPU Fan Headers (FAN1 and FAN2: CPU fans)                                                            |
| HD AUDIO                | High Definition Audio (back panel ports)                                                                    |
| I-SATA0~5               | (Intel X299) Serial ATA (SATA 3.0) Ports 0~5 (6Gb/sec)                                                      |
| J3701                   | Front Panel Audio Header                                                                                    |
| JCOM1                   | COM1 Port Header                                                                                            |
| JD1                     | Speaker/Buzzer (Pins 1~4: external speaker, Pins 3~4: buzzer)                                               |
| JF1                     | Front Control Panel Header                                                                                  |
| JIPMB1                  | 4-pin External I2C Header (for an IPMI card)                                                                |
| JL1                     | Chassis Intrusion Header                                                                                    |
| JPI2C1                  | Power Supply SMBus I2C Header                                                                               |
| JPW1                    | 24-pin ATX Main Power Connector (Required)                                                                  |
| JPW2                    | +12V 8-pin CPU Power Connector (Required)                                                                   |
| JPW3                    | +12V 4-pin CPU Power Connector (Required)                                                                   |
| JRK1                    | Intel RAID Key Header                                                                                       |
| JSD1                    | SATA DOM (Disk On Module) Power Connector                                                                   |
| JSTBY1                  | Standby Power Header                                                                                        |
| JTPM1                   | Trusted Platform Module (TPM) Header                                                                        |
| LAN1, LAN2 (back panel) | LAN1: 5Gb LAN Port. LAN2: 1Gb LAN Port (LAN2: Shared IPMI Port)                                             |
| PCIe M.2 CONNECTOR 1, 2 | PCIe M.2 Connectors 1 and 2 (small form factor devices and other portable devices for high speed NVMe SSDs) |
| SP1                     | Internal Buzzer/Speaker                                                                                     |
| U.2 CONNECTOR 1, 2      | U.2 Connectors 1 and 2, for 2.5" SSD Drives                                                                 |
| USB 0/1, 2/3            | Front Access USB 2.0 Headers                                                                                |
| USB 4/5                 | Back Panel USB 3.0 Ports                                                                                    |
| USB 6/7, 8/9            | Back Panel USB 3.1 Ports (USB8: Type A, USB9: Type C)                                                       |
| USB 10/11 (3.0)         | Front Access USB 3.0 Header                                                                                 |
| VGA                     | Back Panel VGA Port                                                                                         |

## CONTACT INFORMATION

- [www.supermicro.com](http://www.supermicro.com) (Email: [support@supermicro.com](mailto:support@supermicro.com))
- Manuals: <http://www.supermicro.com/support/manuals>
- Drivers & Utilities: <https://www.supermicro.com/wdl/driver/>
- Safety: [http://www.supermicro.com/about/policies/safety\\_information.cfm](http://www.supermicro.com/about/policies/safety_information.cfm)

## LED Indicators

### LED Indicators

| LED     | Description                    | Color/State     | Status            |
|---------|--------------------------------|-----------------|-------------------|
| LED1    | Status Code LED                | Digital Readout | See User's Manual |
| LED7201 | Onboard Standby PWR LED        | Green: Solid on | Power on          |
| LED6903 | M.2 Connector 2 SSD Active LED | Green: Solid on | M.2 Device Active |
| LED6904 | M.2 Connector 1 SSD Active LED | Green: Solid on | M.2 Device Active |

## CPU & Memory Support

This motherboard supports a single Intel® Core™ i9 7900X/9900X/10900X Series processor, up to 256GB of Unbuffered (UDIMM) non-ECC DDR4 memory, with speeds of up to 2666MHz (2DPC) ~ 2933MHz (1DPC) in eight 288-pin memory slots. Populating these DIMM slots with a pair of memory modules of the same type and size will result in interleaved memory, which will improve memory performance.

- Notes:**
- 1) For memory optimization, use only DIMM modules that have been validated by Supermicro. For the latest memory updates, please refer to our website at <http://www.supermicro.com/products/motherboard>.
  - 2) Always connect the power cord last, and always remove it before adding, removing or changing any hardware components.
  - 3) 2933MHz is supported by Intel Core i9 10980XE/10940X/10920X/10900X Series processors only.
  - 4) Memory overclocking support depends on the capability of CPU and memory.

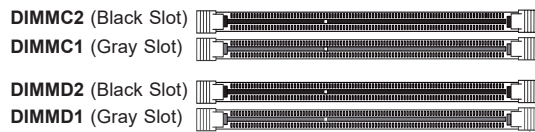
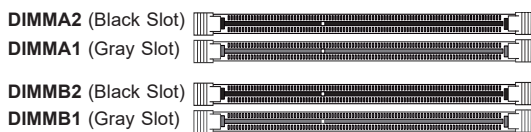
### DIMM Memory Installation



Towards the CPU



Towards the CPU



### Memory Population Guidelines

When installing memory modules, the DIMM slots should be populated in the following order: DIMMA1, DIMMB1, DIMMC1, DIMMD1, then DIMMA2, DIMMB2, DIMMC2, DIMMD2.

- Always use DDR4 DIMM modules of the same size, type, and speed.
- Mixed DIMM speeds can be installed. However, all DIMMs will run at the speed of the slowest DIMM.

#### Recommended Population (Balanced)

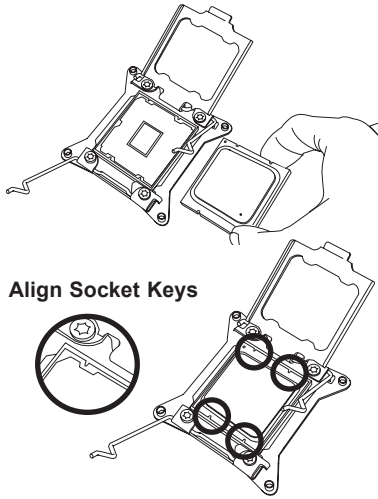
| DIMMA1            | DIMMB1            | DIMMC1            | DIMMD1            | DIMMA2            | DIMMB2            | DIMMC2            | DIMMD2            | CPU Support/<br>DIMM Channel                       | Total<br>System<br>Memory |
|-------------------|-------------------|-------------------|-------------------|-------------------|-------------------|-------------------|-------------------|----------------------------------------------------|---------------------------|
| 4, 8, 16,<br>32GB | 4, 8, 16,<br>32GB | N/A               | N/A               | N/A               | N/A               | N/A               | N/A               | Core i9 7900X/9900X/10900X Series,<br>Dual channel | Up to 64GB                |
| 4, 8, 16,<br>32GB | 4, 8, 16,<br>32GB | 4, 8, 16,<br>32GB | 4, 8, 16,<br>32GB | N/A               | N/A               | N/A               | N/A               | Core i9 7900X/9900X/10900X Series,<br>Dual channel | Up to 128GB               |
| 4, 8, 16,<br>32GB | 4, 8, 16,<br>32GB | 4, 8, 16,<br>32GB | 4, 8, 16,<br>32GB | 4, 8, 16,<br>32GB | 4, 8, 16,<br>32GB | 4, 8, 16,<br>32GB | 4, 8, 16,<br>32GB | Core i9 7900X/9900X/10900X Series,<br>Quad channel | Up to 256GB               |

\* Please note that 32GB is supported by Core i9 10980XE/10940X/10920X/10900X Series processors only.

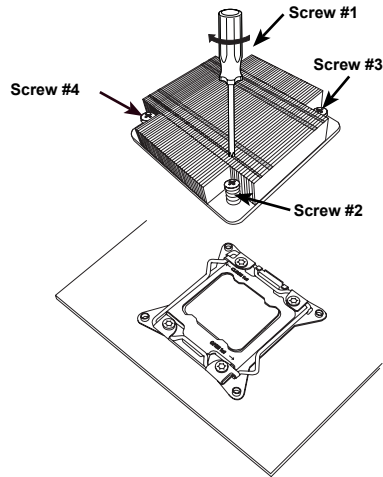
## NOTES

- Graphics shown in this quick reference guide are for illustration only. Your components may or may not look exactly the same as drawings shown in this guide.
- Refer to Chapter 2 of the User Manual for detailed information on jumpers, connectors, LED indicators, memory support and CPU/motherboard installation instructions.

## CPU Installation



## Heatsink Installation

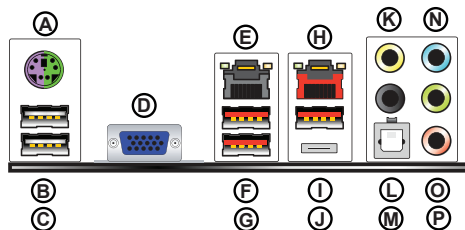


## Front Control Panel (JF1)

|                 | 20 | 19 |                   |
|-----------------|----|----|-------------------|
| Ground          | ○  | ○  | NMI               |
| X               | ○  | ○  | X                 |
| Power LED       | ○  | ○  | Vcc               |
| HDD LED         | ○  | ○  | Vcc               |
| NIC1 LED        | ○  | ○  | Vcc               |
| NIC2 LED        | ○  | ○  | Vcc               |
| OH/Fan Fail LED | ○  | ○  | Vcc               |
| Power Fail LED  | ○  | ○  | Vcc               |
| Ground          | ○  | ○  | #3~4 Reset Button |
| Ground          | ○  | ○  | #1~2 Power Button |
|                 | 2  | 1  |                   |

## Back Panel I/O Connectors

|                             |                                      |                   |           |
|-----------------------------|--------------------------------------|-------------------|-----------|
| A. PS/2 Keyboard/Mouse Port | F. USB 3.1 Port 6                    | K. Center/LFE Out | P. Mic In |
| B. USB 3.0 Port 4           | G. USB 3.1 Port 7                    | L. Surround Out   |           |
| C. USB 3.0 Port 5           | H. 1Gb LAN Port 2 (Shared IPMI Port) | M. S/PDIF Out     |           |
| D. VGA Port                 | I. USB 3.1 Port 8 (Type A)           | N. Line In        |           |
| E. 5Gb LAN Port 1           | J. USB 3.1 Port 9 (Type C)           | O. Line Out       |           |



C9X299-PGF

MNL-2001-QRG-10a



## 單一主機板包裝盒內容清單

- Supermicro 主機板 x1
- SATA 訊號線 x4
- 後檔板 x1
- 快速參考指南 x1
- 驅動程式光碟片 x1

## 跳線器/連接埠

### 跳線器 (Jumper)

| 跳線器          | 說明                         | 預設值             |
|--------------|----------------------------|-----------------|
| CLEAR CMOS   | CMOS (可讀寫隨機存取記憶體晶片) 組態資料清除 | 按鍵式開關           |
| JBT1         | CMOS 組態資料清除 (內建)           | 設為短路來清除 CMOS 資料 |
| JPAC1        | 啟用音源                       | 針腳 1-2 (啟用)     |
| JPB1         | IPMI 功能                    | 針腳 1-2 (啟用)     |
| JPG1         | 啟用 / 停用 VGA 連接埠            | 針腳 1-2 (啟用)     |
| JPME2        | Intel 製造模式                 | 針腳 1-2 (正常)     |
| JWD1         | 啟動系統監控 (Watch Dog) 功能      | 針腳 1-2 (重設)     |
| POWER BUTTON | 電源開關                       | 按鍵式開關           |
| RESET BUTTON | 系統重設                       | 按鍵式開關           |

### 連接埠 (Connector)

| 連接埠                     | 說明                                                                                                                |
|-------------------------|-------------------------------------------------------------------------------------------------------------------|
| B2                      | 內建電池                                                                                                              |
| FAN1 ~ FAN5             | 系統及中央處理器 (CPU) 風扇接頭 (FAN1 及 FAN2 : 中央處理器風扇接頭)                                                                     |
| HD AUDIO                | 背板高清晰音效插孔                                                                                                         |
| I-SATA0~5               | (Intel X299) 序列 ATA 介面 (SATA 3.0) 連接埠 0~5 (6Gb/秒)                                                                 |
| J3701                   | 前面板音效接頭                                                                                                           |
| JCOM1                   | COM1 序列連接埠                                                                                                        |
| JD1                     | 喇叭/蜂鳴器 (針腳 1~4 : 外接喇叭 · 針腳 3~4 : 蜂鳴器)                                                                             |
| JF1                     | 前控制面板接頭                                                                                                           |
| JIPMB1                  | IPMI 外部 I2C 接頭                                                                                                    |
| JL1                     | 機殼防盜裝置接頭                                                                                                          |
| JPI2C1                  | 電源供應 SMBus/I2C 接頭                                                                                                 |
| JPW1                    | 24針腳 ATX 主電源連接埠 (必備)                                                                                              |
| JPW2                    | +12伏特8針腳 CPU 電源連接埠 (必備)                                                                                           |
| JPW3                    | +12伏特4針腳 CPU 電源連接埠 (必備)                                                                                           |
| JRK1                    | Intel RAID Key 接頭                                                                                                 |
| JSD1                    | SATA DOM (磁碟模組) 電源連接埠                                                                                             |
| JSTBY1                  | 待機電源接頭                                                                                                            |
| JTPM1                   | TPM 信任平台模組接頭                                                                                                      |
| LAN1, LAN2 (back panel) | LAN1 : 背板 5Gb LAN 網路線連接埠<br>LAN2 : 背板 1Gb LAN 網路線連接埠 (Shared IPMI Port)                                           |
| PCIe M.2 CONNECTOR 1, 2 | PCIe M.2 介面連接埠，適用於高速傳輸 NVMe 介面之小尺寸以及其他可攜式 M.2 固態硬碟 (註：PCIe 為電腦匯流的一種規格、M.2 為固態硬碟的一種傳輸介面、而 NVMe 為非揮發性記憶體儲存裝置的一種標準。) |
| SP1                     | 內建蜂鳴器                                                                                                             |
| U.2 CONNECTOR 1, 2      | 適用 2.5 吋固態硬碟裝置的 U.2 介面連接埠                                                                                         |
| USB 0/1, 2/3            | 前面板 USB 2.0 規格連接埠 (註：USB 完整譯名為「通用序列匯流排」)                                                                          |
| USB 4/5                 | 背板 USB 3.0 規格連接埠                                                                                                  |
| USB 6/7, 8/9            | 背板 USB 3.1 規格連接埠 (USB8: Type A, USB9: Type C)                                                                     |
| USB 10/11 (3.0)         | 前面板 USB 3.0 規格連接埠                                                                                                 |
| VGA                     | 背板 VGA 連接埠                                                                                                        |

## 線上技術支援及下載

- 聯絡我們 (技術支援信箱) : [www.supermicro.com](http://www.supermicro.com) (Email: [support@supermicro.com](mailto:support@supermicro.com))
- 產品手冊文件 : <http://www.supermicro.com/support/manuals>
- 驅動程式及工具程式 : <https://www.supermicro.com/wdl/driver/>
- 產品安全性須知 : [http://www.supermicro.com/about/policies/safety\\_information.cfm](http://www.supermicro.com/about/policies/safety_information.cfm)

## LED 指示燈

| LED 指示燈 |                    |         |           |
|---------|--------------------|---------|-----------|
| LED燈    | 說明                 | 燈號顏色/情況 | 狀態        |
| LED1    | 狀態碼指示燈             | 數位式讀值   | 參閱使用手冊    |
| LED7201 | 內建待機電源指示燈          | 綠：持續亮燈  | 開啟        |
| LED6903 | M.2 SSD 固態硬碟裝置2指示燈 | 綠：持續亮燈  | M.2 裝置已連結 |
| LED6904 | M.2 SSD 固態硬碟裝置1指示燈 | 綠：持續亮燈  | M.2 裝置已連結 |

## 中央處理器和記憶體支援

本主機板支援 Intel® Core™ i9 7900X/9900X/10900X 系列處理器。記憶體支援 Unbuffered DIMM non-ECC DDR4，容量最高可達 256GB，及八個 2666MHz (2DPC) ~ 2933MHz (1DPC) 288支針腳的記憶體插槽。欲取得雙通道效能，請安裝成對相同型號與速度之記憶體。

(Unbuffered DIMM，或做UDIMM，為「無緩衝雙通道記憶體模組」；ECC是Error Correction Code的縮寫，中譯為「錯誤修正碼」；DDR為「雙倍速動態隨機存取記憶體」。)

註：1) 請安裝使用本公司所認可的記憶體模組以達記憶體模組最佳化。更多的記憶體模組相關訊息，請參閱本公司網頁 (<http://www.supermicro.com/products/motherboard>)。

2) 增加、移除和更換任何硬體元件前，請務必先拔掉電源線。待確實完成所有程序後，再重新連接電源線。

3) 僅 Intel Core i9 10980XE/10940X/10920X/10900X 系列處理器支援 2933MHz。

4) 記憶體超頻支援與否依所選用 CPU 及記憶體模組的規格及性能而定。

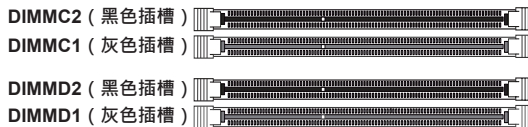
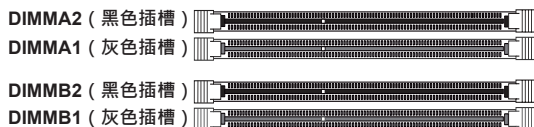
## 記憶體模組 (DIMM) 安裝方式



此面朝向中央處理器



此面朝向中央處理器



### 請依照以下說明及表格安裝記憶體模組：

請遵循下列插槽編號順序依序安裝：DIMMA1 (通道A、插槽1)、DIMMB1 (通道B、插槽1)、DIMMC1 (通道C、插槽1)、DIMMD1 (通道D、插槽1)、DIMMA2 (通道A、插槽2)、DIMMB2 (通道B、插槽2)、DIMMC2 (通道C、插槽2)、DIMMD2 (通道D、插槽2)。

- 請使用相同型號 (DDR4 DIMM) 與速度之記憶體。
- 若混合使用不同速度之記憶體，系統將依較低的記憶體速度執行。

### 建議插槽使用方式

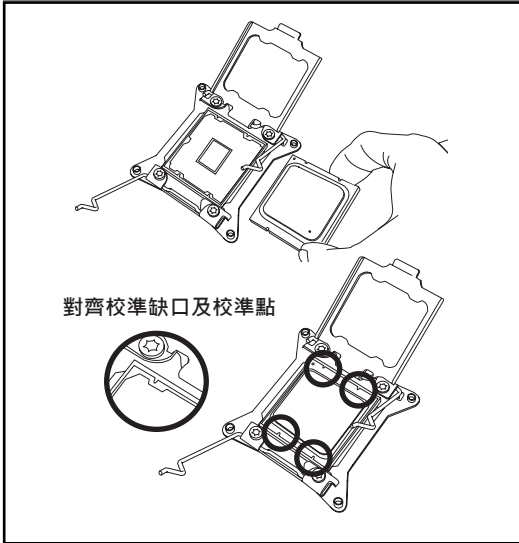
| DIMMA1            | DIMMB1            | DIMMC1            | DIMMD1            | DIMMA2            | DIMMB2            | DIMMC2            | DIMMD2            | 中央處理器支援及<br>記憶體通道                                | 系統<br>記憶體<br>總容量 |
|-------------------|-------------------|-------------------|-------------------|-------------------|-------------------|-------------------|-------------------|--------------------------------------------------|------------------|
| 4, 8, 16,<br>32GB | 4, 8, 16,<br>32GB | N/A               | N/A               | N/A               | N/A               | N/A               | N/A               | 支援 Core i9 7900X/9900X/10900X 系列處理器；<br>支援記憶體雙通道 | 最高達<br>64GB      |
| 4, 8, 16,<br>32GB | 4, 8, 16,<br>32GB | 4, 8, 16,<br>32GB | 4, 8, 16,<br>32GB | N/A               | N/A               | N/A               | N/A               | 支援 Core i9 7900X/9900X/10900X 系列處理器；<br>支援記憶體雙通道 | 最高達<br>128GB     |
| 4, 8, 16,<br>32GB | 4, 8, 16,<br>32GB | 4, 8, 16,<br>32GB | 4, 8, 16,<br>32GB | 4, 8, 16,<br>32GB | 4, 8, 16,<br>32GB | 4, 8, 16,<br>32GB | 4, 8, 16,<br>32GB | 支援 Core i9 7900X/9900X/10900X 系列處理器；<br>支援記憶體四通道 | 最高達<br>256GB     |

\* 僅 Core i9 10980XE/10940X/10920X/10900X 系列處理器支援 32GB。

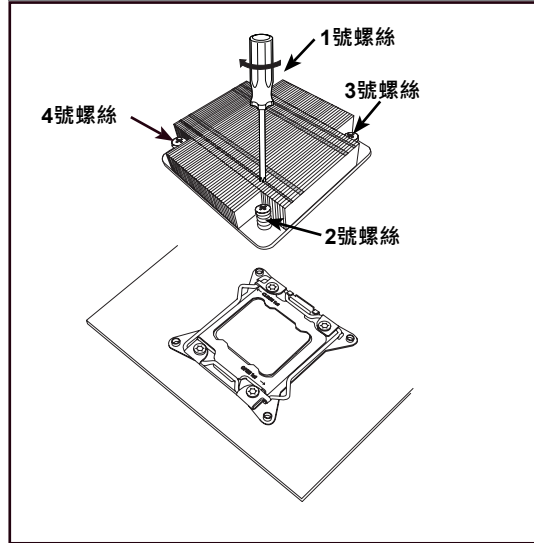
## 備註

- 快速參考指南中的圖例僅供安裝及操作說明使用，可能與實際產品外觀不同。
- 欲知更多跳線器/連接埠/指示燈/記憶體/主機板/中央處理器的安裝相關資訊，請參閱《Supermicro C9X299-PGF/-RPGF 使用手冊》第二章。

### 中央處理器安裝方式



### 散熱器安裝方式

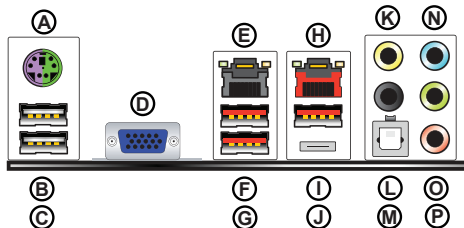


### 前控制面板配置 (JF1)

|            |    |    |          |                 |    |    |                   |
|------------|----|----|----------|-----------------|----|----|-------------------|
| 接地         | 20 | 19 | 非可遮蔽中斷   | Ground          | 20 | 19 | NMI               |
| X          | ○  | ○  | X        | X               | ○  | ○  | X                 |
| 電源LED      | ○  | ○  | Vcc電壓    | Power LED       | ○  | ○  | Vcc               |
| 硬碟機LED     | ○  | ○  | Vcc電壓    | HDD LED         | ○  | ○  | Vcc               |
| 網卡1之LED    | ○  | ○  | Vcc電壓    | NIC1 LED        | ○  | ○  | Vcc               |
| 網卡2之LED    | ○  | ○  | Vcc電壓    | NIC2 LED        | ○  | ○  | Vcc               |
| 過熱及風扇故障LED | ○  | ○  | Vcc電壓    | OH/Fan Fail LED | ○  | ○  | Vcc               |
| 電源故障LED    | ○  | ○  | Vcc電壓    | Power Fail LED  | ○  | ○  | Vcc               |
| 接地         | ○  | ○  | #3~4 重設鍵 | Ground          | ○  | ○  | #3~4 Reset Button |
| 接地         | ○  | ○  | #1~2 電源鍵 | Ground          | ○  | ○  | #1~2 Power Button |
|            | 2  | 1  |          |                 | 2  | 1  |                   |

### 背板輸出/輸入連接埠

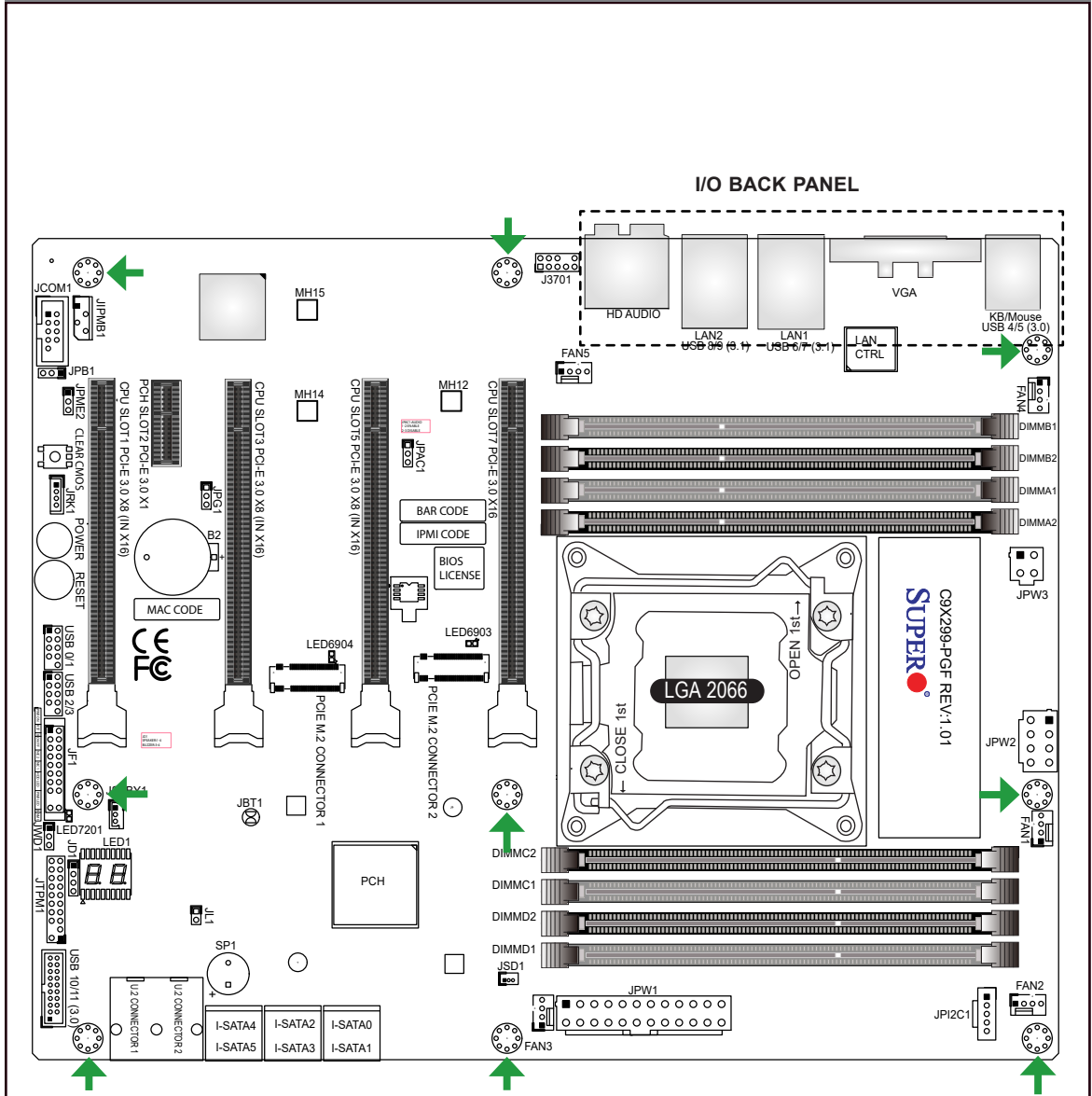
|                       |                                          |              |          |
|-----------------------|------------------------------------------|--------------|----------|
| A. PS/2 鍵盤 ( 滑鼠 ) 連接埠 | F. USB6 (3.1) 連接埠                        | K. 中央/低音聲道輸出 | P. 麥克風插孔 |
| B. USB4 (3.0) 連接埠     | G. USB7 (3.1) 連接埠                        | L. 環繞聲道輸出    |          |
| C. USB5 (3.0) 連接埠     | H. 1Gb LAN2 網路線連接埠<br>(Shared IPMI Port) | M. S/PDIF 輸出 |          |
| D. VGA 連接埠            | I. USB8 (3.1, Type A) 連接埠                | N. 音效輸入      |          |
| E. 5Gb LAN1 網路線連接埠    | J. USB9 (3.1, Type C) 連接埠                | O. 音效輸出      |          |



C9X299-PGF

MNL-2001-QRG-10a

#### 主机板元件配置图



➔ = 螺丝孔



## 单一主机板包装盒内容清单

- Supermicro 主机板 x1
- SATA 数据线 x4
- 后挡板 x1
- 快速参考指南 x1
- 驱动程序光盘 x1

## 跳帽/接口

| 跳帽 (Jumper)  |                           |                 |
|--------------|---------------------------|-----------------|
| 跳帽           | 说明                        | 缺省值             |
| CLEAR CMOS   | CMOS (可读写随机存取记忆芯片) 配置数据清除 | 按键式开关           |
| JBT1         | CMOS 配置数据清除 (板载)          | 触点短路可清除 CMOS 数据 |
| JPAC1        | 启用音源                      | 针脚 1-2 (启用)     |
| JPB1         | IPMI 功能                   | 针脚 1-2 (启用)     |
| JPG1         | 启用 / 停用 VGA 接口            | 针脚 1-2 (启用)     |
| JPME2        | Intel 工厂制造模式              | 针脚 1-2 (正常)     |
| JWD1         | 启用看门狗 (Watch Dog) 功能      | 针脚 1-2 (启用)     |
| POWER BUTTON | 电源开关                      | 按键式开关           |
| RESET BUTTON | 系统重启                      | 按键式开关           |

| 接口 (Connector)          |                                                                                              |
|-------------------------|----------------------------------------------------------------------------------------------|
| 接口                      | 说明                                                                                           |
| B2                      | 板载电池                                                                                         |
| FAN 1 ~ FAN5            | 系统及中央处理器 (CPU) 风扇接口 (FAN1 及 FAN2: 中央处理器风扇接口)                                                 |
| HD AUDIO                | 高清音效插座                                                                                       |
| I-SATA0~5               | (Intel X299) 串行 ATA (SATA 3.0) 接口 0~5 (6Gb/秒)                                                |
| J3701                   | 前面板音效接口                                                                                      |
| JCOM1                   | COM1 串口                                                                                      |
| JD1                     | 喇叭/蜂鸣器 (针脚 1~4: 外接喇叭, 针脚 3~4: 蜂鸣器)                                                           |
| JF1                     | 前控制面板接口                                                                                      |
| JIPMB1                  | IPMI I2C 总线接口                                                                                |
| JL1                     | 机箱防盗装置接口                                                                                     |
| JPI2C1                  | 电源 SMBus/I2C 接口                                                                              |
| JPW1                    | 24针 ATX 主电源接口 (必备)                                                                           |
| JPW2                    | +12V 8针 CPU 供电接口 (必备)                                                                        |
| JPW3                    | +12V 4针 CPU 供电接口 (必备)                                                                        |
| JRK1                    | Intel RAID Key 接口                                                                            |
| JSD1                    | SATA DOM (磁盘模组) 电源接口                                                                         |
| JSTBY1                  | 待机电源接口                                                                                       |
| JTPM1                   | TPM 信任平台模组接口                                                                                 |
| LAN1, LAN2 (back panel) | LAN1: 5Gb LAN 网口<br>LAN2: 1Gb LAN 网口 (后面板) (Shared IPMI Port)                                |
| PCIe M.2 CONNECTOR 1, 2 | PCIe M.2 接口, 支持 NVMe 接口 M.2 固态硬盘 (注: PCIe 为一种电脑总线规范, M.2 为一种固态硬盘的传输接口, 而 NVMe 为一种非易失性存储设备标准) |
| SP1                     | 板载蜂鸣器                                                                                        |
| U.2 CONNECTOR 1, 2      | 2.5寸固态硬盘 U.2 接口                                                                              |
| USB 0/1, 2/3            | 前面板 USB 2.0 接口 (注: USB 完整译名为「通用串行总线」)                                                        |
| USB 4/5                 | 背板 USB 3.0 接口                                                                                |
| USB 6/7, 8/9            | 背板 USB 3.1 接口 (USB8: Type A, USB9: Type C)                                                   |
| USB 10/11 (3.0)         | 前面板 USB 3.0 接口                                                                               |
| VGA                     | 背板 VGA 接口                                                                                    |

## 在线技术支持及下载

- 联系我们 (技术支持信箱): [www.supermicro.com](http://www.supermicro.com) (Email: [support@supermicro.com](mailto:support@supermicro.com))
- 产品手册: <http://www.supermicro.com/support/manuals>
- 驱动程序及工具程序: <https://www.supermicro.com/wdl/driver/>
- 产品安全性须知: [http://www.supermicro.com/about/policies/safety\\_information.cfm](http://www.supermicro.com/about/policies/safety_information.cfm)

## LED 指示灯

| LED 指示灯 |                  |           |           |
|---------|------------------|-----------|-----------|
| LED灯    | 说明               | LED 颜色/情况 | 状态        |
| LED1    | 状态指示灯            | 数字读数      | 参阅使用手册    |
| LED7201 | 板载待机电源指示灯        | 绿: 持续亮灯   | 开启        |
| LED6903 | M.2 SSD 固态硬盘2指示灯 | 绿: 持续亮灯   | M.2 设备已连接 |
| LED6904 | M.2 SSD 固态硬盘1指示灯 | 绿: 持续亮灯   | M.2 设备已连接 |

## 中央处理器和内存支持

本主机板支持 Intel® Core™ i9 7900X/9900X/10900X 系列处理器。内存支持 Unbuffered DIMM non-ECC DDR4, 容量最高可达 256GB, 及八条 2666MHz (2DPC) ~ 2933MHz (1DPC) 288支针脚的内存插槽。欲取得双通道性能, 请安装成对相同型号与速度内存条。

(Unbuffered DIMM, 或 UDIMM, 为「无缓冲双通道内存模组」; ECC 是 Error Correction Code 的缩写, 中译为「错误校验码」; DDR 为「双倍速动态随机存储器」。)

- 注:** 1) 请安装使用本公司所认可的内存模组以达到最佳内存模组性能。更多的内存模组相关信息, 请参阅本公司网页 (<http://www.supermicro.com/products/motherboard>)。
- 2) 增加、移除和更换任何硬件前, 请务必先拔掉电源线。待确定完成所有程序后, 再重新连接电源线。
- 3) 仅 Intel Core i9 10980XE/10940X/10920X/10900X 系列处理器支持 2933MHz。
- 4) 内存超频支持取决于所使用处理器和内存的规格以及性能。

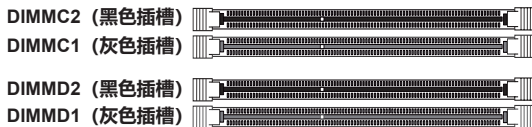
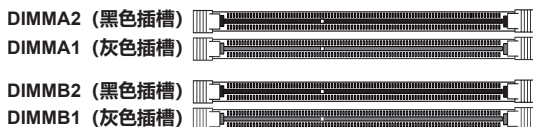
## 内存模组 (DIMM) 安装方式



此面朝向中央处理器



此面朝向中央处理器



请依照以下说明及表格安装内存模组:

请遵循下列插槽编号顺序依次安装: DIMMA1 (通道A、插槽1)、DIMMB1 (通道B、插槽1)、DIMMC1 (通道C、插槽1)、DIMMD1 (通道D、插槽1)、DIMMA2 (通道A、插槽2)、DIMMB2 (通道B、插槽2)、DIMMC2 (通道C、插槽2)、DIMMD2 (通道D、插槽2)。

- 请使用相同型号 (DDR4 DIMM) 与速度之内存。
- 若混合使用不同速度之内存, 系统将依较低的内存速度运行。

### 建议插槽使用方式

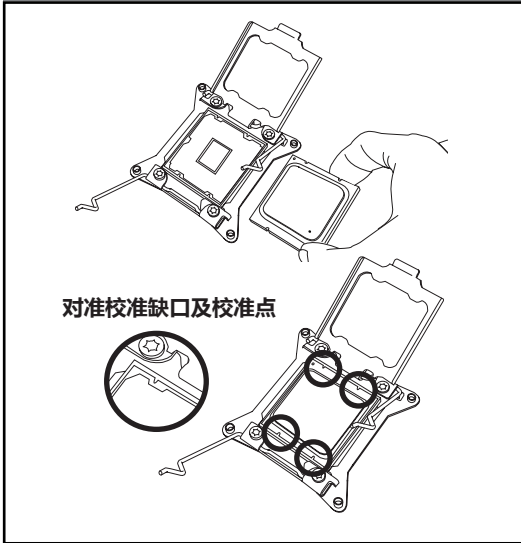
| DIMMA1         | DIMMB1         | DIMMC1         | DIMMD1         | DIMMA2         | DIMMB2         | DIMMC2         | DIMMD2         | 中央处理器支持及内存通道                                 | 系统内存容量    |
|----------------|----------------|----------------|----------------|----------------|----------------|----------------|----------------|----------------------------------------------|-----------|
| 4, 8, 16, 32GB | 4, 8, 16, 32GB | N/A            | N/A            | N/A            | N/A            | N/A            | N/A            | 支持 Core i9 7900X/9900X/10900X 系列处理器; 支持内存双通道 | 最高达 64GB  |
| 4, 8, 16, 32GB | 4, 8, 16, 32GB | 4, 8, 16, 32GB | 4, 8, 16, 32GB | N/A            | N/A            | N/A            | N/A            | 支持 Core i9 7900X/9900X/10900X 系列处理器; 支持内存双通道 | 最高达 128GB |
| 4, 8, 16, 32GB | 4, 8, 16, 32GB | 4, 8, 16, 32GB | 4, 8, 16, 32GB | 4, 8, 16, 32GB | 4, 8, 16, 32GB | 4, 8, 16, 32GB | 4, 8, 16, 32GB | 支持 Core i9 7900X/9900X/10900X 系列处理器; 支持内存四通道 | 最高达 256GB |

\* 32GB 支持仅适用于 Core i9 10980XE/10940X/10920X/10900X 系列处理器。

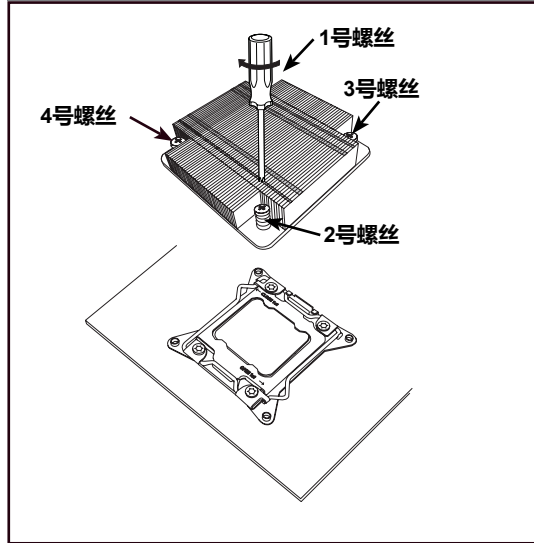
## 备注

- 快速参考指南中的图例仅供安装及操作说明使用，可能与实际产品外观不同。
- 欲知更多跳帽/接口/指示灯/内存/主机板/中央处理器的安装相关资讯，请参阅《Supermicro C9X299-PGF/-RPGF 使用手册》第二章。

### 中央处理器安装方式



### 散热器安装方式

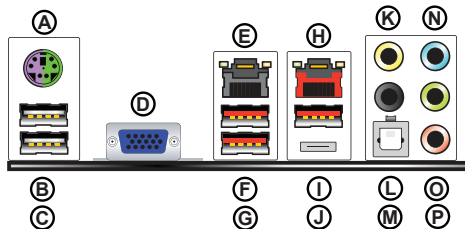


### 前控制面板配置 (JF1)

|            |    |    |          |                 |    |    |                   |
|------------|----|----|----------|-----------------|----|----|-------------------|
| 接地         | 20 | 19 | 不可屏蔽中断   | Ground          | 20 | 19 | NMI               |
| X          | ○  | ○  | X        | X               | ○  | ○  | X                 |
| 电源LED      | ○  | ○  | Vcc电压    | Power LED       | ○  | ○  | Vcc               |
| 硬盘LED      | ○  | ○  | Vcc电压    | HDD LED         | ○  | ○  | Vcc               |
| 网卡1 LED    | ○  | ○  | Vcc电压    | NIC1 LED        | ○  | ○  | Vcc               |
| 网卡2 LED    | ○  | ○  | Vcc电压    | NIC2 LED        | ○  | ○  | Vcc               |
| 过热及风扇故障LED | ○  | ○  | Vcc电压    | OH/Fan Fail LED | ○  | ○  | Vcc               |
| 电源故障LED    | ○  | ○  | Vcc电压    | Power Fail LED  | ○  | ○  | Vcc               |
| 接地         | ○  | ○  | #3~4 重启键 | Ground          | ○  | ○  | #3~4 Reset Button |
| 接地         | ○  | ○  | #1~2 电源键 | Ground          | ○  | ○  | #1~2 Power Button |
|            | 2  | 1  |          |                 | 2  | 1  |                   |

### 背板输出/输入接口

|                    |                                   |              |          |
|--------------------|-----------------------------------|--------------|----------|
| A. PS/2 键盘 (鼠标) 接口 | F. USB6 (3.1) 接口                  | K. 中央/低音声道输出 | P. 麦克风插孔 |
| B. USB 4 (3.0) 接口  | G. USB7 (3.1) 接口                  | L. 环绕声道输出    |          |
| C. USB 5 (3.0) 接口  | H. 1Gb LAN2 接口 (Shared IPMI Port) | M. S/PDIF 输出 |          |
| D. VGA 接口          | I. USB8 (3.1, Type A) 接口          | N. 音效输入      |          |
| E. 5Gb LAN1 接口     | J. USB9 (3.1, Type C) 接口          | O. 音效输出      |          |

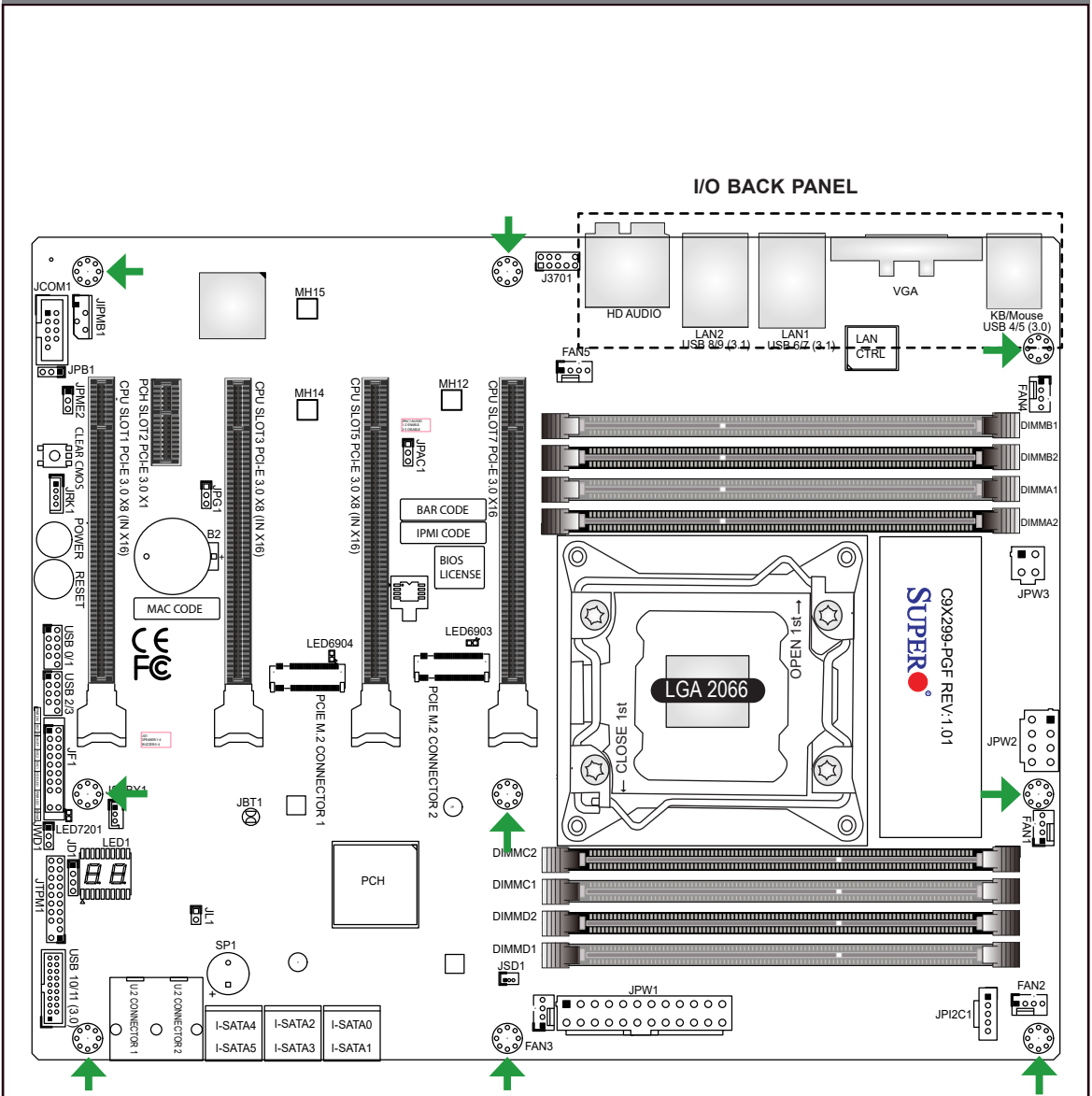


C9X299-PGF



MNL-2001-QRG-10a

#### マザーボードのレイアウト、および、特徴



➔ = ボード固定穴

## パッケージ内容

- Supermicro マザーボード × 1
- SATAケーブル × 4
- クイック・リファレンス・ガイド × 1
- I/Oシールド × 1
- ドライバCD × 1

## ジャンパとコネクタ

### ジャンパ

| ジャンパ         | 説明                  | デフォルト           |
|--------------|---------------------|-----------------|
| CLEAR CMOS   | CMOS クリアスイッチ        | 押しボタンスイッチ       |
| JBT1         | CMOS クリア (オンボード)    | CMOSクリアのショートパッド |
| JPAC1        | オーディオ 有効化           | ピン 1-2 (有効)     |
| JPB1         | IPMI 機能             | ピン 1-2 (有効)     |
| JPG1         | VGA 有効/無効           | ピン 1-2 (有効)     |
| JPME2        | Intel 製造モード         | ピン 1-2 (ノーマル)   |
| JWD1         | ウォッチドッグ機能 有効化       | ピン 1-2 (リセット)   |
| POWER BUTTON | 内部電源ボタン             | 押しボタンスイッチ       |
| RESET BUTTON | オンボード・システム・リセット・ボタン | 押しボタンスイッチ       |

### コネクタ

| コネクタ                    | 説明                                                                 |
|-------------------------|--------------------------------------------------------------------|
| B2                      | オンボード・バッテリー                                                        |
| FAN1 ~ FAN5             | システム/CPU ファン・ヘッダー (FAN1 と FAN2: CPU ファン)                           |
| HD AUDIO                | High Definition オーディオ (背面パネル・ポート)                                  |
| I-SATA0~5               | (Intel X299) シリアル ATA (SATA 3.0) ポート 0~5 (6Gb/sec)                 |
| J3701                   | 前面パネル・オーディオ・ヘッダー                                                   |
| JCOM1                   | COM1 ポート・ヘッダー                                                      |
| JD1                     | スピーカー/ブザー (ピン 1~4: 外部スピーカー, ピン 3~4: ブザー)                           |
| JF1                     | 前面コントロールパネル・ヘッダー                                                   |
| JIPMB1                  | 4ピン 外部 I2C ヘッダー (IPMIカード用)                                         |
| JL1                     | 筐体開閉検出ヘッダー                                                         |
| JPI2C1                  | 電源 SMBus I2C ヘッダー                                                  |
| JPW1                    | 24ピン ATX 主電源コネクタ (必須)                                              |
| JPW2                    | +12V 8ピン CPU 電源コネクタ (必須)                                           |
| JPW3                    | +12V 4ピン CPU 電源コネクタ (必須)                                           |
| JRK1                    | Intel RAID キー・ヘッダー                                                 |
| JSD1                    | SATA DOM (Disk On Module) 電源コネクタ                                   |
| JSTBY1                  | スタンバイ電源ヘッダー                                                        |
| JTPM1                   | トラステッド・プラットフォーム・モジュール (TPM) ヘッダー                                   |
| LAN1, LAN2 (back panel) | LAN1: 5Gb LAN ポート<br>LAN2: 1Gb LAN ポート (Shared IPMI Port)          |
| PCIe M.2 CONNECTOR 1, 2 | PCIe M.2 コネクタ 1 と 2, ハイスピード NVMe SSD用 スモール・フォームファクタ・デバイスとポータブルデバイス |
| SP1                     | 内部ブザー/スピーカー                                                        |
| U.2 CONNECTOR 1, 2      | U.2 コネクタ 1 と 2, 2.5" SSD ドライブ用                                     |
| USB 0/1, 2/3            | 前面アクセス USB 2.0 ヘッダー                                                |
| USB 4/5                 | 背面パネル USB 3.0 ポート                                                  |
| USB 6/7, 8/9            | 背面パネル USB 3.1 ポート (USB8: Type A, USB9: Type C)                     |
| USB 10/11 (3.0)         | 前面アクセス USB 3.0 ヘッダー                                                |
| VGA                     | 背面パネル VGA ポート                                                      |

## お問い合わせ

- [www.supermicro.com](http://www.supermicro.com) (Email: [support@supermicro.com](mailto:support@supermicro.com))
- マニュアル: <http://www.supermicro.com/support/manuals>
- ドライバ & ユーティリティ: <https://www.supermicro.com/wdl/driver/>
- 安全性: [http://www.supermicro.com/about/policies/safety\\_information.cfm](http://www.supermicro.com/about/policies/safety_information.cfm)

## LED インジケータ

### LED インジケータ

| LED     | 説明                    | 色/状態   | ステータス       |
|---------|-----------------------|--------|-------------|
| LED1    | LED ステータス・コード         | デジタル表示 | マニュアル参照     |
| LED7201 | オンボード スタンバイ 電源 LED    | 緑: 点灯  | 電源オン        |
| LED6903 | M.2 コネクタ 2 SSD 動作 LED | 緑: 点灯  | M.2 デバイス動作中 |
| LED6904 | M.2 コネクタ 1 SSD 動作 LED | 緑: 点灯  | M.2 デバイス動作中 |

## CPU & メモリ サポート

C9X299-PGF/-RPGF は、Intel® Core™ i9 7900X/9900X/10900X プロセッサ、最大256GB Unbuffered (UDIMM) non-ECC DDR4 メモリ、8つの288ピン・メモリ・スロットに 最大2666MHz (2DPC) ~ 2933MHz (1DPC) をサポートします。このDIMMスロットに、同じ種類、同じ容量の、一組のメモリ・モジュールを組込むことで、メモリ・インターリーブが構成され、メモリ・パフォーマンスが向上します。

- 注:** 1) メモリの最適化には、Supermicroによって検証済みの、DIMMモジュールのみを使用してください。メモリに関する最新情報は、弊社Webサイト <http://www.supermicro.com/products/motherboard> をご覧ください。
- 2) ハードウェア構成部品の取り外し、交換、追加の前には、必ず電源コードを外し、常に最後に電源コードを接続してください。
- 3) Intel Core i9 10980XE/10940X/10920X/10900Xシリーズプロセッサのみが2933MHzをサポートします。
- 4) メモリのオーバークロックのサポートは、CPUとメモリの性能に依存します。

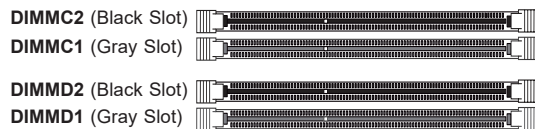
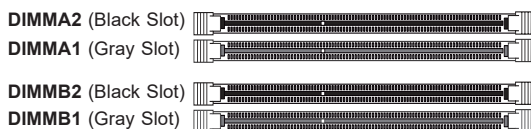
### DIMM メモリのインストール



CPUの方向



CPUの方向



### メモリを挿入する際のガイドライン

メモリモジュールを取り付ける際には、DIMMスロットが次の順序で挿入されるようにしてください：

DIMMA1、DIMMB1、DIMMC1、DIMMD1、次にDIMMA2、DIMMB2、DIMMC2、DIMMD2。

- 必ずサイズ、種類、速度が同じDDR4 DIMMモジュールを使用してください。
- 速度が異なるDIMMを組み合わせることは可能です。ただしこの場合、すべてのDIMMが最も遅いDIMMの速度で実行されます。

### 推奨される挿入例 (バランス型)

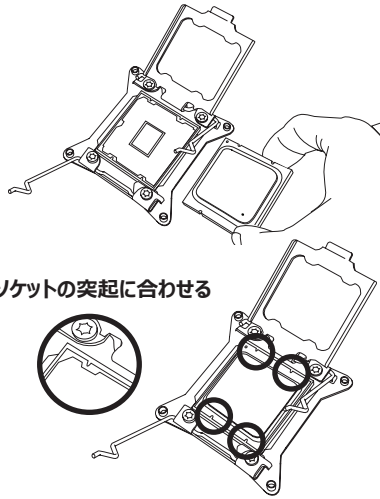
| DIMMA1            | DIMMB1            | DIMMC1            | DIMMD1            | DIMMA2            | DIMMB2            | DIMMC2            | DIMMD2            | CPUサポート/<br>DIMMチャンネル                         | システムメモリ<br>合計 |
|-------------------|-------------------|-------------------|-------------------|-------------------|-------------------|-------------------|-------------------|-----------------------------------------------|---------------|
| 4, 8, 16<br>、32GB | 4, 8, 16<br>、32GB | 該当なし              | 該当なし              | 該当なし              | 該当なし              | 該当なし              | 該当なし              | Core i9 7900X/9900X/10900X シリーズ、<br>デュアルチャンネル | 最大64GB        |
| 4, 8, 16<br>、32GB | 4, 8, 16<br>、32GB | 4, 8, 16<br>、32GB | 4, 8, 16<br>、32GB | 該当なし              | 該当なし              | 該当なし              | 該当なし              | Core i9 7900X/9900X/10900X シリーズ、<br>デュアルチャンネル | 最大128GB       |
| 4, 8, 16<br>、32GB | 4, 8, 16<br>、32GB | 4, 8, 16<br>、32GB | 4, 8, 16<br>、32GB | 4, 8, 16<br>、32GB | 4, 8, 16<br>、32GB | 4, 8, 16<br>、32GB | 4, 8, 16<br>、32GB | Core i9 7900X/9900X/10900X シリーズ、<br>クワッドチャンネル | 最大256GB       |

\* Core i9 10980XE/10940X/10920X/10900Xシリーズプロセッサのみが32GBをサポートすることに注意してください。

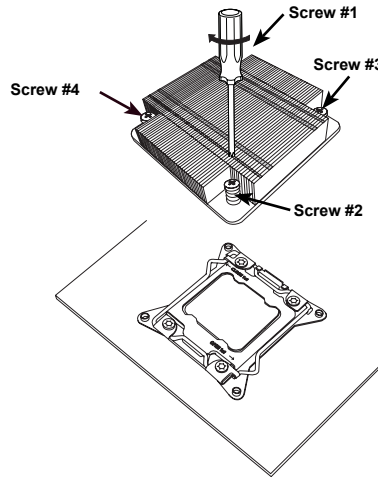
## 注釈

- クイック・リファレンス・ガイドに掲載されている図は参考イラストです。ご利用になるコンポーネントは、本ガイドに掲載された図と異なる場合があります。
- ジャンパ、コネクタ、LEDインジケータ、メモリ・サポート、CPU/マザーボードのインストール方法の詳細情報は、ユーザーマニュアルの第2章をご参照ください。

## CPUのインストール



## ヒートシンクのインストール

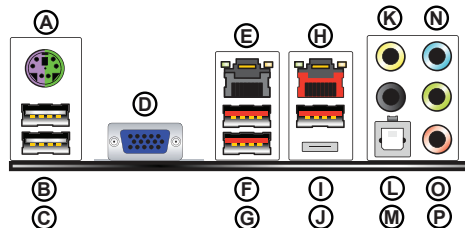


## 前面コントロールパネル (JF1)

|                 |    |    |                   |
|-----------------|----|----|-------------------|
|                 | 20 | 19 |                   |
| Ground          | ○  | ○  | NMI               |
| X               | ○  | ○  | X                 |
| Power LED       | ○  | ○  | Vcc               |
| HDD LED         | ○  | ○  | Vcc               |
| NIC1 LED        | ○  | ○  | Vcc               |
| NIC2 LED        | ○  | ○  | Vcc               |
| OH/Fan Fail LED | ○  | ○  | Vcc               |
| Power Fail LED  | ○  | ○  | Vcc               |
| Ground          | ○  | ○  | #3~4 Reset Button |
| Ground          | ○  | ○  | #1~2 Power Button |
|                 | 2  | 1  |                   |

## 背面パネル I/O コネクタ

|                       |                                     |                  |          |
|-----------------------|-------------------------------------|------------------|----------|
| A. PS/2 キーボード/マウス ポート | F. USB 3.1 ポート 6                    | K. Center/LFE 出力 | P. マイク入力 |
| B. USB 3.0 ポート 4      | G. USB 3.1 ポート 7                    | L. サラウンド出力       |          |
| C. USB 3.0 ポート 5      | H. 1Gb LAN ポート 2 (Shared IPMI Port) | M. S/PDIF 出力     |          |
| D. VGA ポート            | I. USB 3.1 ポート 8 (Type A)           | N. ライン入力         |          |
| E. 5Gb LAN ポート 1      | J. USB 3.1 ポート 9 (Type C)           | O. ライン出力         |          |



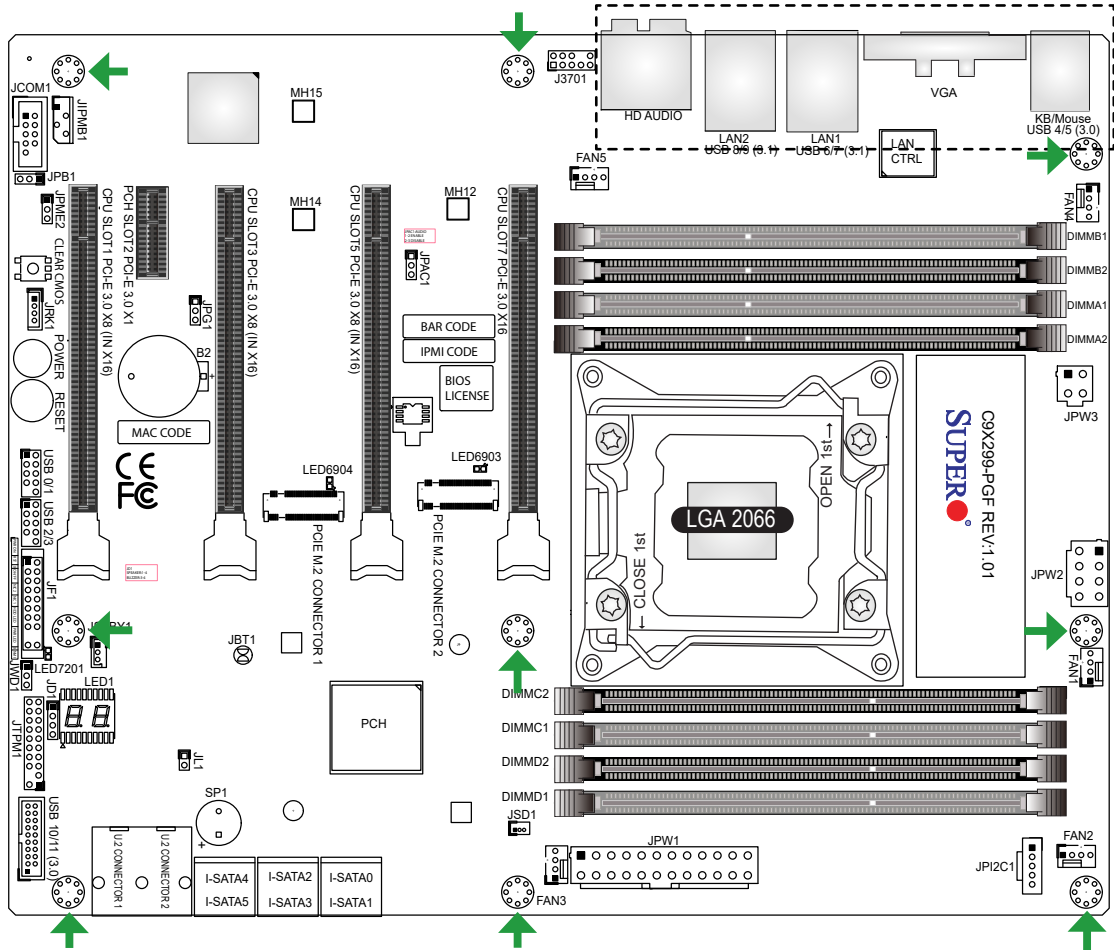
C9X299-PGF

MNL-2001-QRG-10a

© 2021 Supermicro Computer, Inc. All rights reserved. Reproduction of this document whether in part or in whole is strictly prohibited without Supermicro's written consent. All Trademarks are property of their respective entities. All information provided is deemed accurate at the time of printing; however, it is not guaranteed.

#### 마더보드 레이아웃 및 특징

#### I/O 후면패널



➔ = 마운팅홀



## 패키지구성

- 슈퍼마이크로 마더보드 1장
- SATA케이블 4개
- 빠른 설치가이드 1개
- I/O 쉴드 1개
- 드라이버 CD 1개

## 점퍼 및 커넥터

### 점퍼

| 점퍼           | 설명             | 기본값            |
|--------------|----------------|----------------|
| CLEAR CMOS   | CMOS 클리어 스위치   | 푸시 버튼 스위치      |
| JBT1         | CMOS 클리어 (온보드) | CMOS 클리어 쇼트패드  |
| JPAC1        | 오디오 활성화        | Pins 1-2 (활성화) |
| JPB1         | IPMI 기능        | Pins 1-2 (활성화) |
| JPG1         | VGA 활성화/비활성화   | Pins 1-2 (활성화) |
| JPME2        | Intel 제조 모드    | Pins 1-2 (일반)  |
| JWD1         | 워치독 기능 활성화     | Pins 1-2 (RST) |
| POWER BUTTON | 내부 전원 버튼       | 푸시 버튼 스위치      |
| RESET BUTTON | 내부 시스템 리셋 버튼   | 푸시 버튼 스위치      |

### 커넥터

| 커넥터                     | 설명                                                  |
|-------------------------|-----------------------------------------------------|
| B2                      | 온보드 배터리                                             |
| FAN1 ~ FAN5             | 시스템/CPU 팬 헤더 (FAN1 과 FAN2: CPU 팬)                   |
| HD AUDIO                | 고해상도 오디오 (후면 패널 포트)                                 |
| I-SATA0~5               | Intel X299 시리얼 ATA (SATA 3.0) 포트 0~5 (6Gb/sec)      |
| J3701                   | 전면 패널 오디오 헤더                                        |
| JCOM1                   | COM1 포트 헤더                                          |
| JD1                     | 스피커/버저 (Pins 1~4: 외부 스피커, Pins 3~4: 버저)             |
| JF1                     | 전면 제어 패널 헤더                                         |
| JIPMB1                  | 4 핀 외부 I2C 헤더 (IPMI 카드 용)                           |
| JL1                     | 케이스 침입 감지 헤더                                        |
| JPI2C1                  | 파워 서플라이 SMBus I2C 헤더                                |
| JPW1                    | 24 핀 ATX 주 전원 커넥터 (필수)                              |
| JPW2                    | +12V 8 핀 CPU 전원 커넥터 (필수)                            |
| JPW3                    | +12V 4 핀 CPU 전원 커넥터 (필수)                            |
| JRK1                    | Intel RAID 키 헤더                                     |
| JSD1                    | SATA DOM (Disk On Module) 전원 커넥터                    |
| JSTBY1                  | 대기전원 헤더                                             |
| JTPM1                   | Trusted Platform Module (TPM) 헤더                    |
| LAN1, LAN2 (back panel) | LAN1: 5Gb 랜 포트<br>LAN2: 1Gb 랜 포트 (Shared IPMI Port) |
| PCIe M.2 CONNECTOR 1, 2 | NVMe SSD 등과 같은 저장장치 및 기타장치를 위한 PCIe M.2 커넥터 1 과 2   |
| SP1                     | 내부 버저/스피커                                           |
| U.2 CONNECTOR 1, 2      | 2.5" SSD 드라이브등을 위한 U.2 커넥터 1 과 2                    |
| USB 0/1, 2/3            | 전면 USB 2.0 헤더                                       |
| USB 4/5                 | 후면 패널 USB 3.0 포트                                    |
| USB 6/7, 8/9            | 후면 패널 USB 3.1 포트 (USB8: Type A, USB9: Type C)       |
| USB 10/11 (3.0)         | 전면 패널 USB 3.0 헤더                                    |
| VGA                     | 후면 패널 VGA 포트                                        |

## 연락처 정보

- www.supermicro.com (Email: support@supermicro.com)
- 사용설명서: <http://www.supermicro.com/support/manuals>
- 드라이버 & 유틸리티: <https://www.supermicro.com/wdl/driver/>
- 안전 정보: [http://www.supermicro.com/about/policies/safety\\_information.cfm](http://www.supermicro.com/about/policies/safety_information.cfm)

## LED

| LED     |                      |         |            |
|---------|----------------------|---------|------------|
| LED     | 설명                   | 색상/상태   | 비고         |
| LED1    | 상태 코드 LED            | 코드로 판독  | 사용설명서 참조   |
| LED7201 | 내장 대기전원 PWR LED      | 녹색 : 점등 | 전원 켜짐      |
| LED6903 | M.2 커넥터 2 SSD 동작 LED | 녹색 : 점등 | M.2 장치 활성화 |
| LED6904 | M.2 커넥터 1 SSD 동작 LED | 녹색 : 점등 | M.2 장치 활성화 |

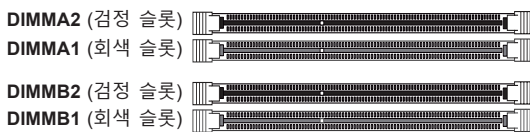
## CPU & 메모리 지원

C9X299-PGF/-RPGF 는 Intel® Core™ i9 7900X/9900X/10900X 를 지원하며 8 개의 288 핀 메모리 슬롯을 통해서 최대 2666MHz (2DPC) ~ 2933MHz (1DPC) 의 Unbuffered (UDIMM) non-ECC DDR4 메모리를 최대 256GB 지원합니다. 이 DIMM 슬롯에 동일한 유형과 크기의 메모리 모듈 한쌍을 설치하면 메모리 인터리빙을 통해서 메모리 성능이 향상됩니다.

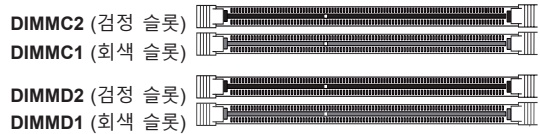
- Notes:** 1) 메모리 최적화를 위해서 Supermicro 에서 인가한 DIMM 모듈만 사용하세요. 인가된 최신 메모리 정보는 다음 홈페이지 주소 <http://www.supermicro.com/products/motherboard> 를 참조하면 됩니다.  
 2) 전원 코드는 항상 마지막에 연결해야 하며 부품을 추가, 제거, 변경하기 전에는 항상 전원 코드를 분리해야 합니다.  
 3) 2933MHz는 Intel Core i9 10980XE/10940X/10920X/10900X 시리즈 프로세서에서만 지원합니다.  
 4) 메모리 오버클럭 기능은 CPU와 메모리 사양에 따라 지원 여부가 달라집니다.

## DIMM 메모리 설치

↑ CPU 방향



↑ CPU 방향



## 메모리 채우기 지침

메모리 모듈을 설치할 때 다음 순서로 DIMM 슬롯을 채워야 합니다. DIMMA1, DIMMB1, DIMMC1, DIMMD1, DIMMA2, DIMMB2, DIMMC2, DIMMD2.

- 반드시 크기, 종류 및 속도가 같은 DDR4 DIMM 모듈을 사용하십시오.
- DIMM 속도를 혼합하여 사용할 수 있습니다. 그러나 이 경우 모든 DIMM이 가장 느린 DIMM의 속도로 실행됩니다.

## 권장 채우기 (균형)

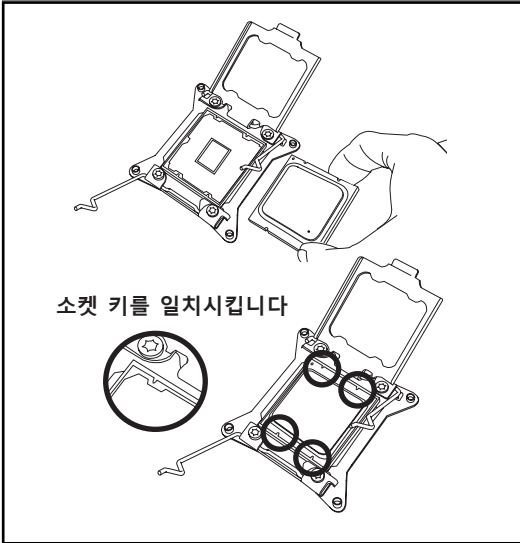
| DIMMA1            | DIMMB1            | DIMMC1            | DIMMD1            | DIMMA2            | DIMMB2            | DIMMC2            | DIMMD2            | CPU 지원/<br>DIMM 채널                       | 총 시스템<br>메모리 |
|-------------------|-------------------|-------------------|-------------------|-------------------|-------------------|-------------------|-------------------|------------------------------------------|--------------|
| 4, 8, 16,<br>32GB | 4, 8, 16,<br>32GB | 해당사항<br>없음        | 해당사항<br>없음        | 해당사항<br>없음        | 해당사항<br>없음        | 해당사항<br>없음        | 해당사항<br>없음        | Core i9 7900X/9900X/10900X 시리즈,<br>듀얼 채널 | 최대 64GB      |
| 4, 8, 16,<br>32GB | 4, 8, 16,<br>32GB | 4, 8, 16,<br>32GB | 4, 8, 16,<br>32GB | 해당사항<br>없음        | 해당사항<br>없음        | 해당사항<br>없음        | 해당사항<br>없음        | Core i9 7900X/9900X/10900X 시리즈,<br>듀얼 채널 | 최대 128GB     |
| 4, 8, 16,<br>32GB | 4, 8, 16,<br>32GB | 4, 8, 16,<br>32GB | 4, 8, 16,<br>32GB | 4, 8, 16,<br>32GB | 4, 8, 16,<br>32GB | 4, 8, 16,<br>32GB | 4, 8, 16,<br>32GB | Core i9 7900X/9900X/10900X 시리즈,<br>쿼드 채널 | 최대 256GB     |

\* 32GB는 Core i9 10980XE/10940X/10920X/10900X 시리즈 프로세서에서만 지원합니다.

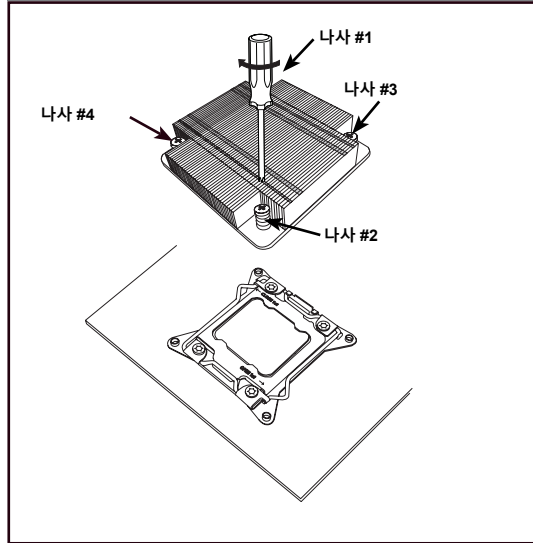
### 참고

- 빠른 설치 가이드에 사용된 이미지는 예시용 일 뿐입니다. 실제 부품은 본 가이드에 있는 그림과 정확하게 일치하지 않을 수도 있습니다
- 점퍼, 커넥터, LED 표시, 메모리 지원 및 CPU / 마더보드 설치에 대한 자세한 설명은 사용설명서의 제 2장을 참조 하십시오

### CPU 설치



### 히트싱크 설치

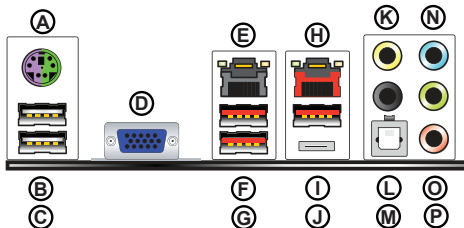


### 전면 패널 제어 (JF1)

|             |    |    |            |                 |    |    |                   |
|-------------|----|----|------------|-----------------|----|----|-------------------|
| Ground      | 20 | 19 | NMI        | Ground          | 20 | 19 | NMI               |
| X           |    |    | X          | X               |    |    | X                 |
| Power LED   |    |    | Vcc        | Power LED       |    |    | Vcc               |
| HDD LED     |    |    | Vcc        | HDD LED         |    |    | Vcc               |
| NIC1 LED    |    |    | Vcc        | NIC1 LED        |    |    | Vcc               |
| NIC2 LED    |    |    | Vcc        | NIC2 LED        |    |    | Vcc               |
| 과열/팬 오류 LED |    |    | Vcc        | OH/Fan Fail LED |    |    | Vcc               |
| 전원 오류 LED   |    |    | Vcc        | Power Fail LED  |    |    | Vcc               |
| Ground      |    |    | #3~4 리셋 버튼 | Ground          |    |    | #3~4 Reset Button |
| Ground      |    |    | #1~2 파워 버튼 | Ground          |    |    | #1~2 Power Button |
|             | 2  | 1  |            |                 | 2  | 1  |                   |

### 후면 패널 I/O 커넥터

|                   |                                    |                  |           |
|-------------------|------------------------------------|------------------|-----------|
| A. PS/2 키보드/마우스포트 | F. USB 3.1 포트 6                    | K. 센터/우퍼 사운드 출력  | P. 마이크 In |
| B. USB 3.0 포트 4   | G. USB 3.1 포트 7                    | L. 서라운드 사운드 출력   |           |
| C. USB 3.0 포트 5   | H. 1Gb LAN 포트 2 (Shared IPMI Port) | M. S/PDIF 사운드 출력 |           |
| D. VGA 포트         | I. USB 3.1 포트 8 (Type A)           | N. 라인 In         |           |
| E. 5Gb LAN 포트 1   | J. USB 3.1 포트 9 (Type C)           | O. 라인 Out        |           |



C9X299-PGF

MNL-2001-QRG-10a

© 2021 Supermicro Computer, Inc. All rights reserved. Reproduction of this document whether in part or in whole is strictly prohibited without Supermicro's written consent. All Trademarks are property of their respective entities. All information provided is deemed accurate at the time of printing; however, it is not guaranteed.

---

## Notes

---

## Notes

---

---

## Notes





**SUPER**  <sup>TM</sup>

**Server Quality, Built for Gaming**

**QUICK REFERENCE GUIDE**

Revision 1.0a