

This zoom lens is designed for use with Panasonic's applicable projectors.

\*Please use the lens only on the specified Panasonic projector.

**Specifications**

F value	1.85 ~ 2.39
Focal distance (f)	90.30 mm ~ 162.60 mm (3-9/16 ~ 6-13/32 inches)
Throw ratio	4.14~7.40:1 for PT-MZ16KL/MZ13KL/MZ10KL (16:10 aspect ratio) 4.12~7.40:1 for PT-MZ16KL/MZ13KL/MZ10KL (16:9 aspect ratio) 4.93~8.70:1 for PT-MZ16KL/MZ13KL/MZ10KL (4:3 aspect ratio)
Dimensions (W × H × D)	173 × 130 × 334 mm (6-13/16 × 5-1/8 × 13-5/32 inches)
Weight	Approximately 4.75 kg (10.47 lbs)
Applicable projector	PT-MZ16KL/MZ13KL/MZ10KL

**Dimensions**

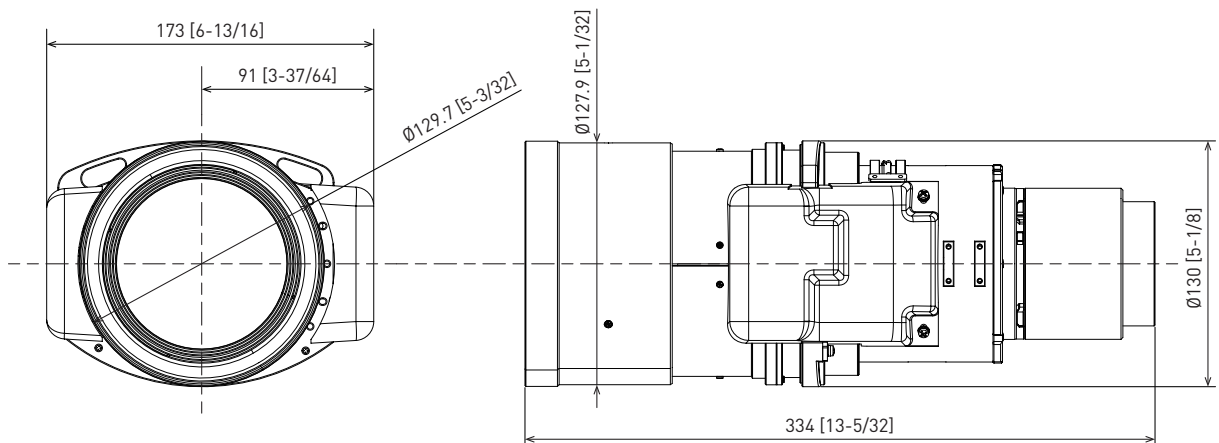
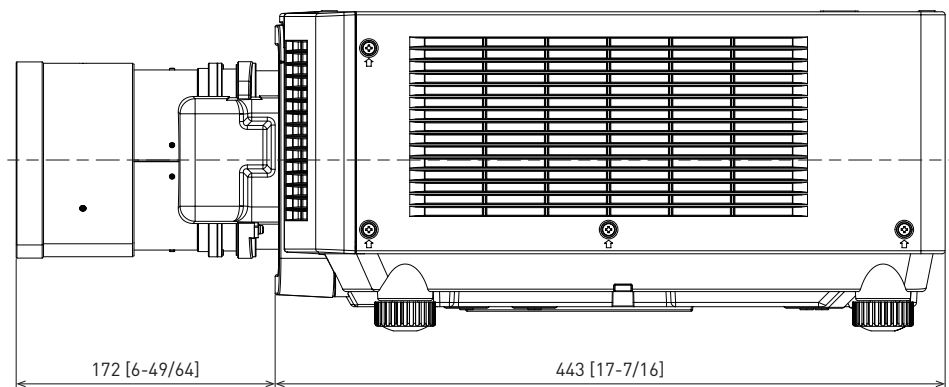


Figure attached to the [PT-MZ16KL/MZ13KL/MZ10KL] projector



unit : mm [inch]

This illustration is not drawn to scale.  
Please read the projector's instruction manual for throw distances.  
Weights and dimensions shown are approximate. Specifications subject to change without notice.