

GIGABYTE™

S452-Z30

4U 42-Bay Single Processors Storage Server (AMD MILAN)

User Manual

Rev. 1.0

Copyright

© 2021 GIGA-BYTE TECHNOLOGY CO., LTD. All rights reserved.

The trademarks mentioned in this manual are legally registered to their respective owners.

Disclaimer

Information in this manual is protected by copyright laws and is the property of GIGABYTE. Changes to the specifications and features in this manual may be made by GIGABYTE without prior notice. No part of this manual may be reproduced, copied, translated, transmitted, or published in any form or by any means without GIGABYTE's prior written permission.

Documentation Classifications

In order to assist in the use of this product, GIGABYTE provides the following types of documentation:

- User Manual: detailed information & steps about the installation, configuration and use of this product (e.g. motherboard, server barebones), covering hardware and BIOS.
- User Guide: detailed information about the installation & use of an add-on hardware or software component (e.g. BMC firmware, rail-kit) compatible with this product.
- Quick Installation Guide: a short guide with visual diagrams that you can reference easily for installation purposes of this product (e.g. motherboard, server barebones).

Please see the support section of the online product page to check the current availability of these documents.

For More Information

For related product specifications, the latest firmware and software, and other information please visit our website at <http://www.gigabyte.com>




For GIGABYTE distributors and resellers, additional sales & marketing materials are available from our reseller portal: <http://reseller.b2b.gigabyte.com>

For further technical assistance, please contact your GIGABYTE representative or visit <https://support.gigabyte.com/> to create a new support ticket

For any general sales or marketing enquiries, you may also message GIGABYTE server directly by email: server.grp@gigabyte.com

Conventions

The following conventions are used in this user's guide:

	NOTE! Gives bits and pieces of additional information related to the current topic.
	CAUTION! Gives precautionary measures to avoid possible hardware or software problems.
	WARNING! Alerts you to any damage that might result from doing or not doing specific actions.

Server Warnings and Cautions

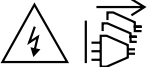
Before installing a server, be sure that you understand the following warnings and cautions.



WARNING!

To reduce the risk of electric shock or damage to the equipment:

- Do not disable the power cord grounding plug. The grounding plug is an important safety feature.
- Plug the power cord into a grounded (earthed) electrical outlet that is easily accessible at all times.
- Unplug all the power cords from the power supplies to disconnect power to the equipment.



- Shock Hazard! Disconnect all power supply cords before servicing.
- Do not route the power cord where it can be walked on or pinched by items placed against it. Pay particular attention to the plug, electrical outlet, and the point where the cord extends from the server.



WARNING!

To reduce the risk of personal injury from hot surfaces, allow the drives and the internal system components to cool before touching them.



WARNING!

This server is equipped with high speed fans. Keep away from hazardous moving fan blades during servicing.



WARNING!

This equipment is not suitable for use in locations where children are likely to be present.



CAUTION!

- Do not operate the server for long periods with the access panel open or removed. Operating the server in this manner results in improper airflow and improper cooling that can lead to thermal damage.
- Danger of explosion if battery is incorrectly replaced.
- Replace only with the same or equivalent type recommended by the manufacturer.

- Dispose of used batteries according to the manufacturer's instructions.

Electrostatic Discharge (ESD)



CAUTION!

ESD CAN DAMAGE DRIVES, BOARDS, AND OTHER PARTS. WE RECOMMEND THAT YOU PERFORM ALL PROCEDURES AT AN ESD WORKSTATION. IF ONE IS NOT AVAILABLE, PROVIDE SOME ESD PROTECTION BY WEARING AN ANTI-STATIC WRIST STRAP ATTACHED TO CHASSIS GROUND -- ANY UNPAINTED METAL SURFACE -- ON YOUR SERVER WHEN HANDLING PARTS.

Always handle boards carefully. They can be extremely sensitive to ESD. Hold boards only by their edges without any component and pin touching. After removing a board from its protective wrapper or from the system, place the board component side up on a grounded, static free surface. Use a conductive foam pad if available but not the board wrapper. Do not slide board over any surface.

System power on/off: To remove power from system, you must remove the system from rack. Make sure the system is removed from the rack before opening the chassis, adding, or removing any non hot-plug components.

Hazardous conditions, devices and cables: Hazardous electrical conditions may be present on power, telephone, and communication cables. Turn off the system and disconnect the cables attached to the system before servicing it. Otherwise, personal injury or equipment damage can result.

Electrostatic discharge (ESD) and ESD protection: ESD can damage drives, boards, and other parts. We recommend that you perform all procedures in this chapter only at an ESD workstation. If one is not available, provide some ESD protection by wearing an antistatic wrist strap attached to chassis ground (any unpainted metal surface on the server) when handling parts.

ESD and handling boards: Always handle boards carefully. They can be extremely sensitive to electrostatic discharge (ESD). Hold boards only by their edges. After removing a board from its protective wrapper or from the system, place the board component side up on a grounded, static free surface. Use a conductive foam pad if available but not the board wrapper. Do not slide board over any surface.

Installing or removing jumpers: A jumper is a small plastic encased conductor that slips

over two jumper pins. Some jumpers have a small tab on top that can be gripped with fingertips or with a pair of fine needle nosed pliers. If the jumpers do not have such a tab, take care when using needle nosed pliers to remove or install a jumper; grip the narrow sides of the jumper with the pliers, never the wide sides. Gripping the wide sides can damage the contacts inside the jumper, causing intermittent problems with the function controlled by that jumper. Take care to grip with, but not squeeze, the pliers or other tool used to remove a jumper, or the pins on the board may bend or break.



CAUTION!

Risk of explosion if battery is replaced incorrectly or with an incorrect type. Replace the battery only with the same or equivalent type recommended by the manufacturer. Dispose of used batteries according to the manufacturer's instructions.

Table of Contents

Chapter 1 Hardware Installation	11
1-1 Installation Precautions	11
1-2 Product Specifications	12
1-3 System Block Diagram	16
Chapter 2 System Appearance	17
2-1 Front View	17
2-2 Rear View	18
2-3 Front Panel LED and Buttons	19
2-4 Rear System LAN LEDs	20
2-5 Hard Disk Drive LEDs	21
2-6 Power Supply Unit LED	22
Chapter 3 System Hardware Installation	23
3-1 Removing and Installing the Chassis Cover	24
3-2 Removing and Installing the Fan Duct	25
3-3 Removing the Heat Sink	26
3-4 Removing and Installing the CPU	27
3-5 Removing and Installing Memory	29
3-5-1 Eight-Channel Memory Configuration	29
3-5-2 Removing and Installing a Memory Module	30
3-5-3 Processor and Memory Module Matrix Table	30
3-5-4 DIMM Population Table	31
3-6 Removing and Installing the PCI Expansion Card	32
3-7 Removing and Installing the Hard Disk Drive	33
3-8 Replacing the Fan Assembly	35
3-9 Removing and Installing the Power Supply	37
3-10 Cable Routing	38
Chapter 4 Motherboard Components	43
4-1 Motherboard Components	43
4-2 Jumper Settings	45
Chapter 5 BIOS Setup	47
5-1 The Main Menu	49
5-2 Advanced Menu	52
5-2-1 Trusted Computing	53
5-2-2 PSP Firmware Versions	54
5-2-3 Legacy Video Select	55

5-2-4	AST2500 Super IO Configuration	56
5-2-5	S5 RTC Wake Settings	58
5-2-6	Serial Port Console Redirection	59
5-2-7	CPU Configuration.....	62
5-2-8	PCI Subsystem Settings	63
5-2-9	USB Configuration	65
5-2-10	Network Stack Configuration	67
5-2-11	NVMe Configuration	68
5-2-12	SATA Configuration.....	69
5-2-13	UEFI POST LOGO Configuration	70
5-2-14	AMD Mem Configuration Status	71
5-2-15	Tls Auth Configuration	72
5-2-16	Intel(R) I350 Gigabit Network Connection	73
5-2-17	VLAN Configuration.....	75
5-2-18	MAC IPv4 Network Configuration	77
5-2-19	MAC IPv6 Network Configuration	78
5-3	AMD CBS Menu	79
5-3-1	CPU Common Options	80
5-3-2	DF Common Options.....	83
5-3-3	UMC Common Options	86
5-3-4	NBIO Common Options.....	88
5-3-5	FCH Common Options	93
5-3-6	NTB Common Options	96
5-3-7	SOC Miscellaneous Control	97
5-4	AMD PBS Option Menu	98
5-4-1	RAS	99
5-5	Chipset Setup Menu.....	101
5-6	Server Management Menu.....	102
5-6-1	System Event Log	104
5-6-2	View FRU Information	105
5-6-3	BMC Network Configuration	106
5-6-4	IPv6 BMC Network Configuration	107
5-7	Security Menu	108
5-7-1	Secure Boot.....	109
5-8	Boot Menu.....	111
5-8-1	UEFI NETWORK Drive BBS Priorities	113
5-8-2	UEFI Application Boot Priorities.....	114
5-9	Save & Exit Menu.....	115
5-10	BIOS POST Beep code (AMI standard)	116
5-10-1	PEI Beep Codes	116

5-10-2 DXE Beep Codes 116

This page intentionally left blank









Chapter 1 Hardware Installation

1-1 Installation Precautions

The motherboard/system contain numerous delicate electronic circuits and components which can become damaged as a result of electrostatic discharge (ESD). Prior to installation, carefully read the service guide and follow these procedures:

- Prior to installation, do not remove or break motherboard S/N (Serial Number) sticker or warranty sticker provided by your dealer. These stickers are required for warranty validation.
- Always remove the AC power by unplugging the power cord from the power outlet before installing or removing the motherboard or other hardware components.
- When connecting hardware components to the internal connectors on the motherboard, make sure they are connected tightly and securely.
- When handling the motherboard, avoid touching any metal leads or connectors.
- It is best to wear an electrostatic discharge (ESD) wrist strap when handling electronic components such as a motherboard, CPU or memory. If you do not have an ESD wrist strap, keep your hands dry and first touch a metal object to eliminate static electricity.
- Prior to installing the motherboard, please have it on top of an antistatic pad or within an electrostatic shielding container.
- Before unplugging the power supply cable from the motherboard, make sure the power supply has been turned off.
- Before turning on the power, make sure the power supply voltage has been set according to the local voltage standard.
- Before using the product, please verify that all cables and power connectors of your hardware components are connected.
- To prevent damage to the motherboard, do not allow screws to come in contact with the motherboard circuit or its components.
- Make sure there are no leftover screws or metal components placed on the motherboard or within the computer casing.
- Do not place the computer system on an uneven surface.
- Do not place the computer system in a high-temperature environment.
- Turning on the computer power during the installation process can lead to damage to system components as well as physical harm to the user.
- If you are uncertain about any installation steps or have a problem related to the use of the product, please consult a certified computer technician.

1-2 Product Specifications

	<ul style="list-style-type: none"> ◆ 4U ◆ 482.6 (W) x 177(H) x 625(D) mm
 CPU	<ul style="list-style-type: none"> ◆ AMD EPYC™ 7003 series processor family ◆ Single processor, 7nm, Socket SP3 ◆ Up to 64-core, 128 threads per processor ◆ cTDP up to 180W <p>Compatible with AMD EPYC™ 7002 series processor family</p>
 Socket	<ul style="list-style-type: none"> ◆ Socket SP3
 Chipset	<ul style="list-style-type: none"> ◆ System on Chip
 Memory	<ul style="list-style-type: none"> ◆ 16 x DIMM slots ◆ DDR4 memory supported only ◆ 8-Channel memory architecture ◆ RDIMM modules up to 128GB supported ◆ LRDIMM modules up to 128GB supported ◆ 3DS RDIMM/LRDIMM modules up to 256GB supported ◆ Memory speed: Up to 3200*/ 2933 MHz <p>NOTE: * Follow BIOS setting and memory QVL list if running 3200 Mhz with 2DPC</p>
 LAN	<ul style="list-style-type: none"> ◆ 2 x 1GbE LAN ports (1 x Intel® I350-AM2) ◆ 1 x 10/100/1000 management LAN
 Expansion Slot	<ul style="list-style-type: none"> ◆ Slot_6: 1 x PCIe x16 (Gen4 x16 bus) slot ◆ Slot_5: 1 x PCIe x16 (Gen4 x8 bus) slot ◆ Slot_4: 1 x PCIe x16 (Gen4 x16 bus) slot ◆ Slot_3: 1 x PCIe x16 (Gen4 x16 bus) slot ◆ Slot_2: 1 x PCIe x8 (Gen3 x0 or x8 bus) slot ◆ Slot_1: 1 x PCIe x16 (Gen3 x16 or x8 bus) slot; shared with slot_2 <p>1 x OCP mezzanine slot with PCIe Gen3 x16 bandwidth (Type1, P1, P2, P3, P4)</p>
 Video	<ul style="list-style-type: none"> ◆ Integrated in Aspeed® AST2500 ◆ 2D Video Graphic Adapter with PCIe bus interface ◆ 1920x1200@60Hz 32bpp, DDR4 SDRAM



Storage

- ◆ Front side: 24 x 3.5" or 2.5" SATA/SAS hot-swappable HDD/SSD bays
- ◆ Rear side: 12 x 3.5" or 2.5" SATA/SAS hot-swappable HDD/SSD bays
- ◆ Rear side bays:
- ◆ 2 x 2.5" SATA/SAS hot-swappable SSD bays*
- ◆ 4 x 2.5" SATA/SAS/NVMe hybrid hot-swappable SSD bays*

NOTE:

* Rear side 2.5" bays support Solid State Drives only due to thermal consideration

- ◆ 2 x Broadcom SAS35x48 expanders
- ◆ Bandwidth: SATAIII 6Gb/s or SAS 12Gb/s per port
- ◆ Default configuration supports:
- ◆ 2 x SATA/SAS and 4 x SATA/SAS/NVMe devices available in rear side
- ◆ SAS card is required to enable the drive bays

◆ Suggested 12Gb/s SAS cards:

- ◆ CRA4648
- ◆ CSA4648

2 x M.2 slots:

- ◆ - M-key
- ◆ - PCIe Gen3 x4
- ◆ - Supports NGFF-2242/2260/2280 cards



SATA

- ◆ Yes, enterprise devices only








SAS

- ◆ Depends on SAS add-on Card



Internal I/O

- ◆ 1 x 24-pin ATX main power connector
- ◆ 2 x 8-pin ATX 12V power connectors
- ◆ 10 x SlimSAS connectors
- ◆ 2 x M.2 slots
- ◆ 1 x CPU fan headers
- ◆ 5 x System fan headers
- ◆ 1 x USB 3.0 header
- ◆ 1 x USB 2.0 header
- ◆ 1 x COM_2 header
- ◆ 1 x TPM header
- ◆ 1 x Front panel header
- ◆ 1 x HDD back plane board header
- ◆ 1 x PMBus connector
- ◆ 1 x IPMB connector
- ◆ 1 x Clear CMOS jumper
- ◆ 1 x BIOS recovery jumper
- ◆ 1 x Buzzer

	Front I/O	<ul style="list-style-type: none"> ◆ 2 x USB 3.0 ◆ 1 x Power button with LED ◆ 1 x ID button with LED ◆ 1 x NMI button ◆ 1 x System status LED ◆ 2 x LAN activity LEDs
	Rear I/O	<ul style="list-style-type: none"> ◆ 3 x USB 3.0 ◆ 1 x VGA ◆ 1 x COM_1 ◆ 2 x RJ45 ◆ 1 x MLAN ◆ 1 x ID button with LED
	Backplane I/O	<ul style="list-style-type: none"> ◆ 3.5" HDD/SSD bays bandwidth: SATA 6Gb/s or SAS 12Gb/s per port ◆ 2.5" HDD/SSD bays bandwidth: SATA 6Gb/s or SAS 12Gb/s or NVMe PCIe x4 per port
	TPM	<ul style="list-style-type: none"> ◆ 1 x TPM header with SPI interface ◆ Optional TPM2.0 kit: CTM010
	System Management	<ul style="list-style-type: none"> ◆ Aspeed® AST2500 management controller ◆ GIGABYTE Management Console (AMI MegaRAC SP-X) web interface <ul style="list-style-type: none"> ◆ Dashboard ◆ JAVA Based Serial Over LAN ◆ HTML5 KVM ◆ Sensor Monitor (Voltage, RPM, Temperature, CPU Status ...etc.) ◆ Sensor Reading History Data ◆ FRU Information ◆ SEL Log in Linear Storage / Circular Storage Policy ◆ Hardware Inventory ◆ Fan Profile ◆ System Firewall ◆ Power Consumption ◆ Power Control ◆ LDAP / AD / RADIUS Support ◆ Backup & Restore Configuration ◆ Remote BIOS/BMC/CPLD Update ◆ Event Log Filter ◆ User Management ◆ Media Redirection Settings ◆ PAM Order Settings ◆ SSL Settings ◆ SMTP Settings



Power Supply

- ◆ 2 x 1200W redundant PSUs
- ◆ 80 PLUS Platinum

- ◆ AC Input:
 - ◆ - 100-240V~/ 12-7A, 50-60Hz

- ◆ DC Input:
 - ◆ - 240Vdc/ 6A

- ◆ DC Output:
 - ◆ - Max 1000W/ 100-240V~
 - ◆ +12V/ 80.5A
 - ◆ +12Vsb/ 3A
 - ◆ - Max 1200W/ 200-240V~ or 240Vdc input
 - ◆ +12V/ 97A
 - ◆ +12Vsb/ 3A



Environment

Ambient

Temperature

Relative

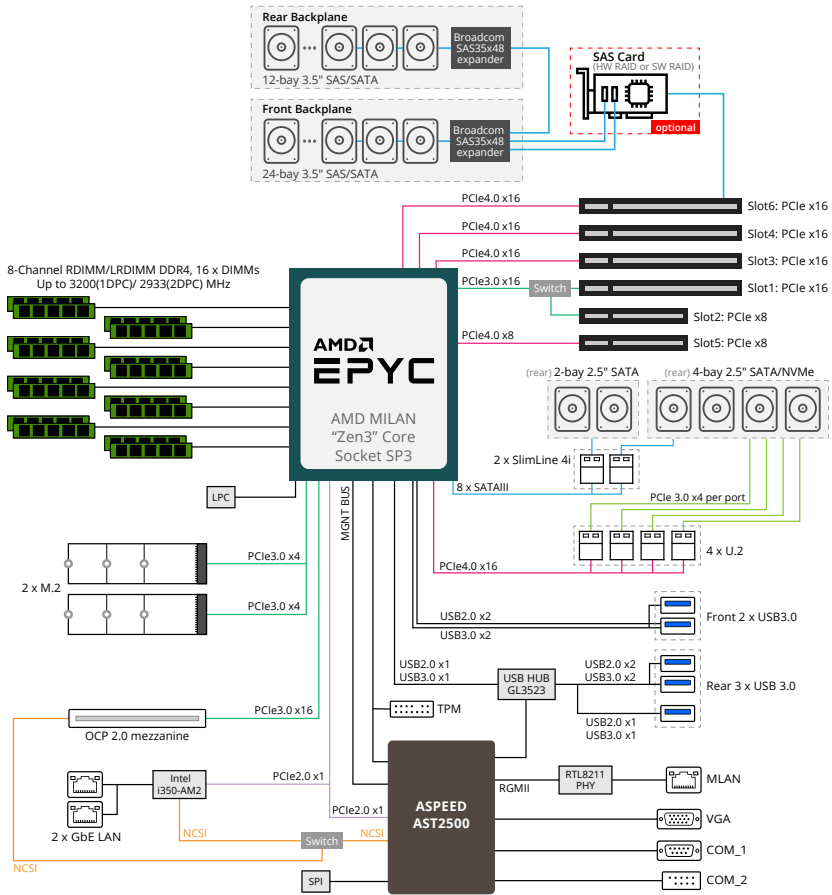
Humidity

- ◆ Operating temperature: 10°C to 35°C
- ◆ Non-operating temperature: -40°C to 60°C

- ◆ Operating humidity: 8-80% (non-condensing)
- ◆ Non-operating humidity: 20%-95% (non-condensing)

* We reserves the right to make any changes to the product specifications and product-related information without prior notice.

1-3 System Block Diagram



Chapter 2 System Appearance

2-1 Front View

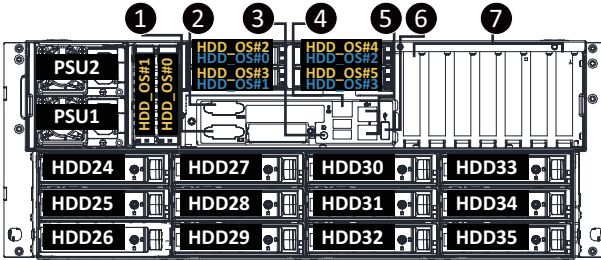


No.	Description
1.	Front Panel LEDs and Buttons
2.	Reset Switch
3.	Front USB 3.0 Port x 2



- Refer to Chapter **2-3 Front Panel LED** and Buttons for a detailed description of the function of the LEDs.

2-2 Rear View

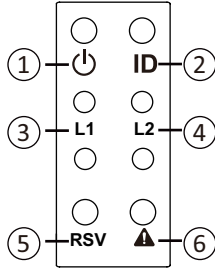


No.	Description
1.	VGA Port
2.	Serial Port
3.	ID Button with LED
4.	Server Management LAN Port
5.	GbeE LAN Port x 2
6.	USB 2.0 Port
7.	PCIe Card Slot x 7
NOTE! The Blue Latch Supports NVMe	



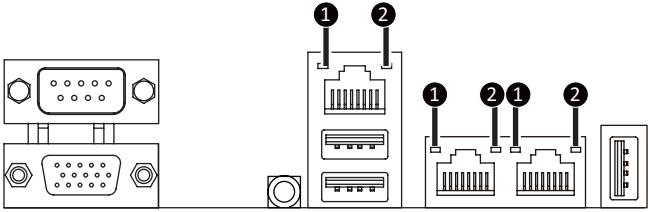
- For the 2.5" HDD Font Color, yellow indicates SATA, blue indicates NVMe.
- Refer to Chapter **2-4 Rear System LAN LEDs** for a detailed description of the function of the LEDs.

2-3 Front Panel LED and Buttons



No.	Name	Color	Status	Description
1.	Power button with LED	Green	On	Indicates the system is powered on.
		Green	Blink	System is in ACPI S1 state (sleep mode).
		N/A	Off	<ul style="list-style-type: none"> System is not powered on or in ACPI S5 state (power off) System is in ACPI S4 state (hibernate mode)
2.	ID Button with LED	Blue	On	Indicates the system identification is active.
		N/A	Off	Indicates the system identification is disabled.
3.	LAN1 Active/Link LED	Green	On	Indicates a link between the system and the network or no access .
		Green	Blink	Indicates data trasmission or receiving is occuring.
		N/A	Off	Indicates no data transmission or receiving is occuring.
4.	LAN2 Active/Link LED	Green	On	Indicates a link between the system and the network or no access .
		Green	Blink	Indicates data trasmission or receiving is occuring.
		N/A	Off	Indicates no data transmission or receiving is occuring.
5.	Reserved button	N/A	N/A	The button's is reserved for custom functions and behavior.
6.	System Status LED	Green	On	Indicates system is operating normally.
		Amber	On	Indicates a critical condition, may include: <ul style="list-style-type: none"> -System fan failure -System temperature
			Blink	Indicates non-critical condition, may include: <ul style="list-style-type: none"> -Redundant power module failure -Temperature and voltage issue
		N/A	Off	Indicates system is not ready, may include: <ul style="list-style-type: none"> -POST error -NMI error -Processor or terminator is missing

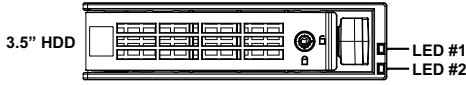
2-4 Rear System LAN LEDs



No.	Name	Color	Status	Description
1.	1GbE Speed LED	Yellow	On	1 Gbps data rate
		Green	On	100 Mbps data rate
		N/A	Off	10 Mbps data rate
2.	1GbE Link/Activity LED	Green	On	Link between system and network or no access
			Blink	Data transmission or receiving is occurring
		N/A	Off	No data transmission or receiving is occurring

2-5 Hard Disk Drive LEDs

3.5" Hard Drive



2.5" Hard Drive



RAID SKU		LED1	Locate	HDD Fault	Rebuilding	HDD Access	HDD Present (No Access)
No RAID configuration (via HBA)	Disk LED (LED on Back Panel)	Green	ON(*1)	OFF		BLINK (*2)	OFF
		Amber	OFF	OFF		OFF	OFF
	Removed HDD Slot (LED on Back Panel)	Green	ON(*1)	OFF		--	--
		Amber	OFF	OFF		--	--
RAID configuration (via HW RAID Card or SW RAID Card)	Disk LED	Green	ON	OFF		BLINK (*2)	OFF
		Amber	OFF	ON	(Low Speed: 2 Hz)	OFF	OFF
	Removed HDD Slot	Green	ON(*1)	OFF	(*3)	--	--
		Amber	OFF	ON	(*3)	--	--

NOTE:

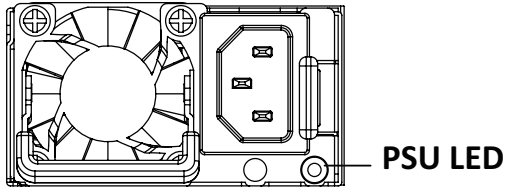
*1: Depends on HBA/Utility Spec.

*2: Blink cycle depends on HDD's activity signal.

*3: If HDD is pulled out during rebuilding, the disk status of this HDD is regarded as faulty.

LED 2	HDD Present	No HDD
Green	ON	OFF

2-6 Power Supply Unit LED



State	Description
Off	No AC power to all power supplies
GREEN	Output ON and OK
0.5Hz Blink GREEN	AC present/ only standby on/ Cold redundant mode
2Hz Blink GREEN	Power supply F.W updateing mode
Amber	AC cord unplugged or AC power lost; with a second power supply in parallel still with AC input power
	Power supply critical event causing shut down: failure, OCP, OVP, Fan Fail, UVP
0.5Hz Blink AMBER	Power supply warning events where the power supply continues to operate: high temp, high power, high current, slow fan

Chapter 3 System Hardware Installation



Pre-installation Instructions

Computer components and electronic circuit boards can be damaged electrostatic discharge. Working on computers that are still connected to a power supply can be extremely dangerous. Follow the simple guidelines below to avoid damage to your computer or injury to yourself.

- Always disconnect the computer from the power outlet whenever you are working inside the computer case.
- If possible, wear a grounded wrist strap when you are working inside the computer case. Alternatively, discharge any static electricity by touching the bare metal system of the computer case, or the bare metal body of any other grounded appliance.
- Hold electronic circuit boards by the edges only. Do not touch the components on the board unless it is necessary to do so. Do not flex or stress the circuit board.
- Leave all components inside the static-proof packaging until you are ready to use the component for the installation.

3-1 Removing and Installing the Chassis Cover

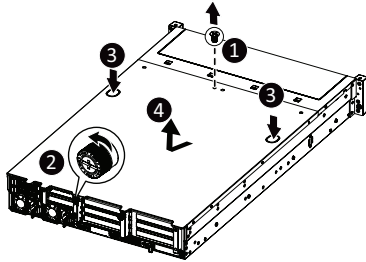


Before you remove or install the system cover

- Make sure the system is not turned on or connected to AC power.

Follow these instructions to remove the chassis covers:

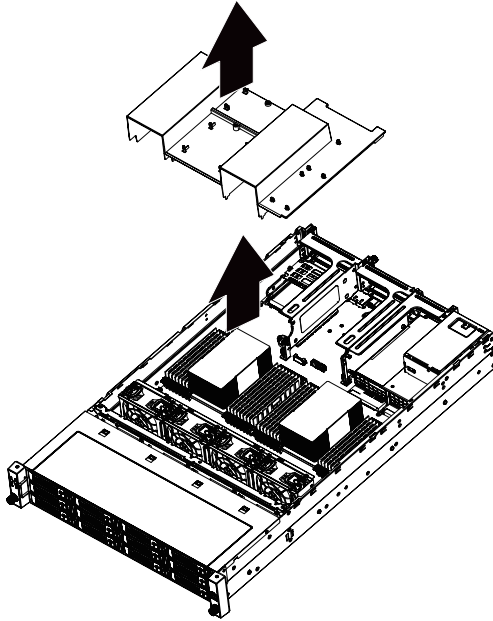
1. Remove the single screw securing the chassis cover.
2. Push down on the indentations located on the side of the chassis cover.
3. Slide the chassis cover to the rear of the system and then remove the cover in the direction of the arrow.
4. To reinstall the chassis cover follow steps 1-3 in reverse order.



3-2 Removing and Installing the Fan Duct

Follow these instructions to remove the fan duct:

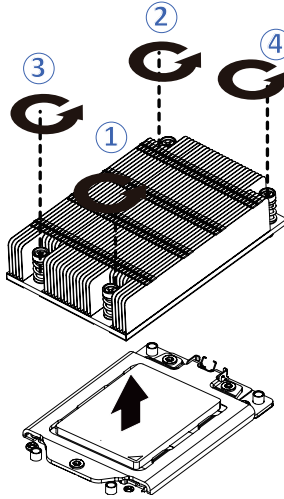
1. Lift up to remove the fan duct.
2. To reinstall the fan duct, align the fan duct with the guiding groove. Push down the fan duct until it is firmly seated on the system.



3-3 Removing the Heat Sink

Follow these instructions to remove/install the fan duct:

1. Loosen the captive screws securing the heatsink in place in reverse order (4→3→2→1).
2. Lift and remove the heat sink from the system.
3. To reinstall the heat sink reverse steps 1-2 while ensuring that you tighten the captive screws in sequential order (1→2→3→4) as seen in the image below.



3-4 Removing and Installing the CPU



Read the following guidelines before you begin to install the CPU:

- Make sure that the motherboard supports the CPU.
- Always turn off the computer and unplug the power cord from the power outlet before installing the CPU to prevent hardware damage.
- Unplug all cables from the power outlets.
- Disconnect all telecommunication cables from their ports.
- Place the system unit on a flat and stable surface.
- Open the system according to the instructions.



WARNING!

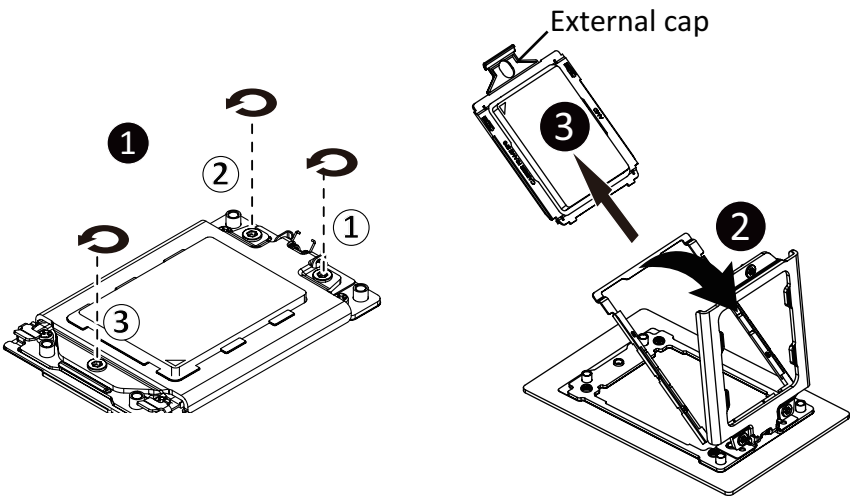
Failure to properly turn off the server before you start installing components may cause serious damage. Do not attempt the procedures described in the following sections unless you are a qualified service technician.

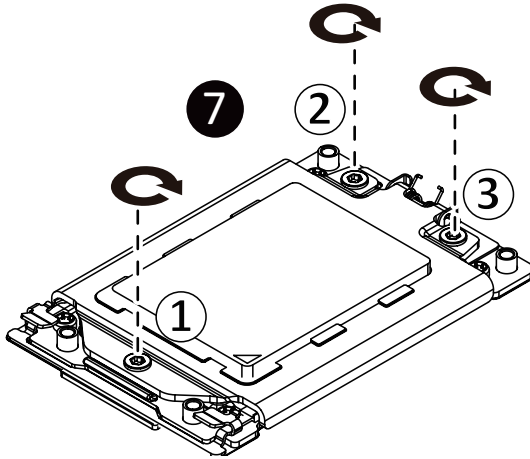
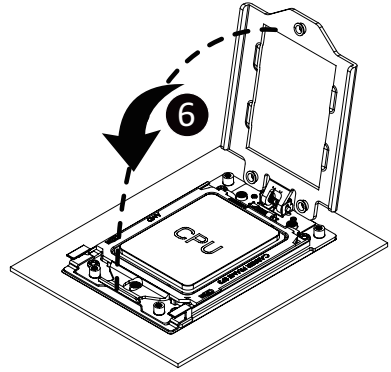
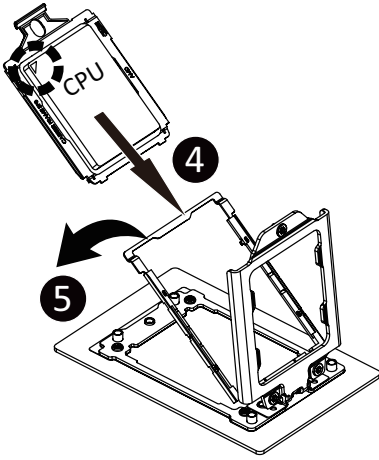
Follow these instructions to install the CPU:

1. Loosen the three captive screws securing the CPU cover in sequential order (1 → 2 → 3).
2. Flip open the CPU cover.
3. Remove the CPU carrier from the CPU frame using the handle on the CPU carrier.
4. Using the handle on the CPU carrier insert the new CPU carrier with CPU installed into the CPU frame.

NOTE: Ensure the CPU is installed in the CPU carrier in the correct orientation, with the triangle on the CPU aligned to the top left corner of the CPU carrier.

5. Flip the CPU frame with CPU installed into place in the CPU socket.
6. Flip the CPU cover into place over the CPU socket.
7. Tighten the CPU cover screws in sequential order (1 → 2 → 3) to secure the CPU cover in place.





- Tighten the CPU cover screws in sequential order (1→2→3).
- The screw tightening torque: 16.1 ± 1.2 kgf-cm (14.0 ± 1.0 lbf-in)

3-5 Removing and Installing Memory

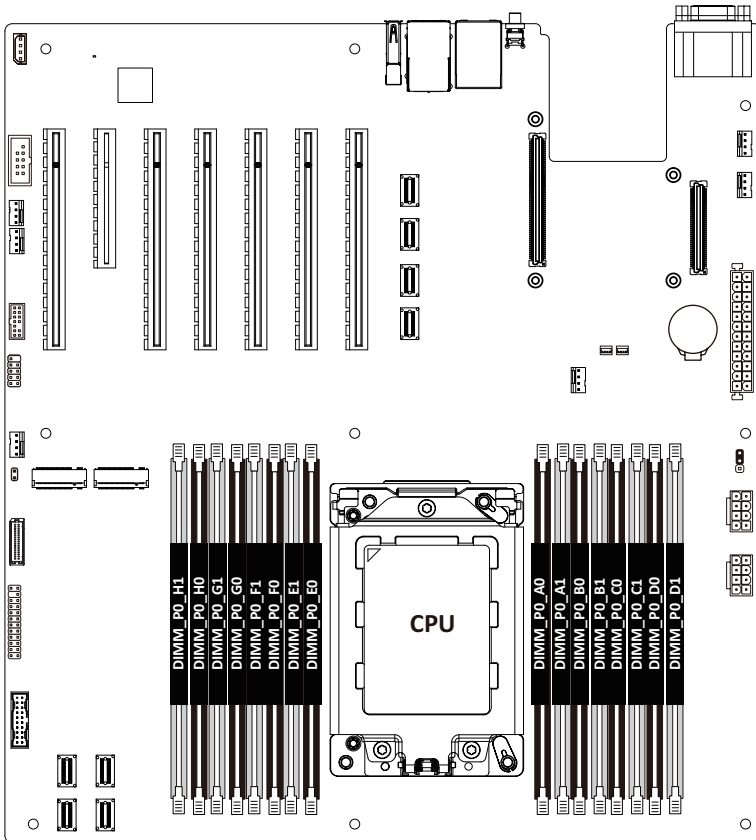


Read the following guidelines before you begin to install the memory:

- Make sure that the motherboard supports the memory. It is recommended that memory of the same capacity, brand, speed, and chips be used.
- Always turn off the computer and unplug the power cord from the power outlet before installing the memory to prevent hardware damage.
- Memory modules have a foolproof design. A memory module can be installed in only one direction. If you are unable to insert the memory, switch the direction.

3-5-1 Eight-Channel Memory Configuration

This motherboard provides 16 DDR4 memory sockets and supports Eight Channel Technology. After the memory is installed, the BIOS will automatically detect the specifications and capacity of the memory.



3-5-2 Removing and Installing a Memory Module

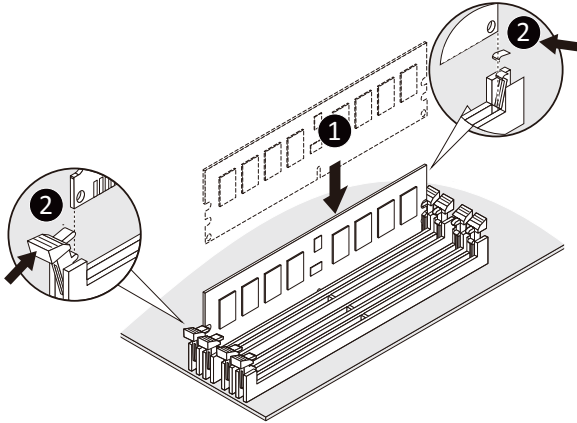


Before installing a memory module, make sure to turn off the computer and unplug the power cord from the power outlet to prevent damage to the memory module.

Be sure to install DDR4 DIMMs on to this motherboard.

Follow these instructions to install a DIMM module:

1. Insert the DIMM memory module vertically into the DIMM slot and push it down.
2. Close the plastic clip at both edges of the DIMM slots to lock the DIMM module.
3. Reverse the installation steps when you want to remove the DIMM module.



3-5-3 Processor and Memory Module Matrix Table

Processor and Memory Module Matrix Table																
CPU#	Channel A/I		Channel B/J		Channel C/K		Channel D/L		Channel E/M		Channel F/N		Channel G/O		Channel H/P	
8 DIMMs																
CPU0	A1		B1		C1		D1		E1		F1		G1		H1	
16 DIMMs																
CPU0	A0	A1	B0	B1	C0	C1	D0	D1	E0	E1	F0	F1	G0	G1	H0	H1
16 DIMMs																
CPU0		A1		B1		C1		D1		E1		F1		G1		H1
CPU1		I1		J1		K1		L1		M1		N1		O1		P1
32 DIMMs																
CPU0	A0	A1	B0	B1	C0	C1	D0	D1	E0	E1	F0	F1	G0	G1	H0	H1
CPU1	I0	I1	J0	J1	K0	K1	L0	L1	M0	M1	N0	N1	O0	O1	P0	P1

3-5-4 DIMM Population Table

EPYC Memory Speed based on DIMM Population (One DIMM per Channel)

DIMM Type	DIMM Population		Max EPYC 7003 DDR Frequency (MHz)
	DIMM 0		
RDIMM	1R (1 Rank)		3200
	2R or 2DR (2 Ranks)		3200
LRDIMM	4DR (4 Ranks)		3200
	2S2R (4 Ranks)		3200
	2S4R (8 Ranks)		3200
3DS	2S2R (4 Ranks)		3200
	2S4R (8 Ranks)		3200

EPYC Memory Speed based on DIMM Population (Two DIMM per Channel)

DIMM Type	DIMM Population		Max EPYC 7003 DDR Frequency (MHz)
	DIMM 0	DIMM 1	
RDIMM	--	1R	3200
	1R	1R	2933
	--	2R or 2DR	3200
	1R	2R or 2DR	2933
	2R or 2DR	2R or 2DR	2933
LRDIMM	--	4DR	3200
	4DR	4DR	2933
	--	2S2R (4 Ranks)	3200
	--	2S4R (8 Ranks)	3200
	2S2R (4 Ranks)	2S2R (4 Ranks)	2933
	2S4R (8 Ranks)	2S4R (8 Ranks)	2933
3DS	--	2S2R (4 Ranks)	2933
	2S2R (4 Ranks)	2S2R (4 Ranks)	2666
	--	2S4R (8 Ranks)	2933
	2S4R (8 Ranks)	2S4R (8 Ranks)	2666

3-6 Removing and Installing the PCI Expansion Card



- Voltages can be present within the server whenever an AC power source is connected. This voltage is present even when the main power switch is in the off position. Ensure that the system is powered off and all power sources have been disconnected from the server prior to installing a PCIe card.

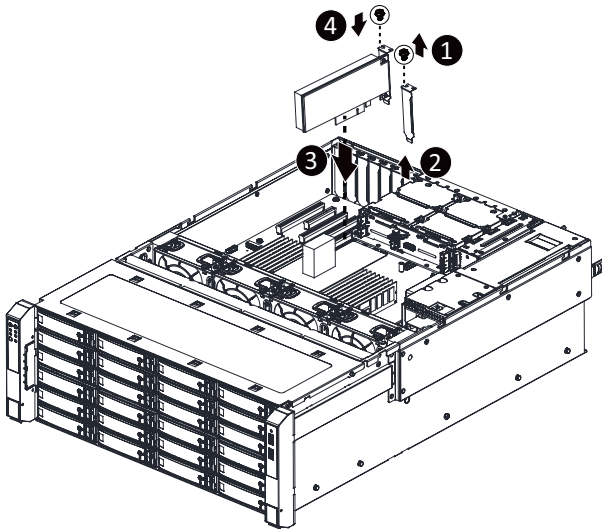
- Failure to observe these warnings could result in personal injury or damage to equipment.



- The PCI riser assembly does not include a riser card or any cabling as standard. To install a PCIe card, a riser card must be installed.

Follow these instructions to PCI Expansion card:

1. Remove the screw on the PCIe slot cover.
2. Remove the PCIe slot cover.
3. Insert the PCIe card into the selected slot. Make sure the PCIe card is properly seated.
4. Secure the PCIe card with the screw.



3-7 Removing and Installing the Hard Disk Drive



Read the following guidelines before you begin to install the hard disk drive:

- Take note of the drive tray orientation before sliding it out.
- The tray will not fit back into the bay if it is inserted incorrectly.
- Make sure that the HDD is connected to the HDD connector on the backplane.

Follow these instructions to install a 2.5" hard disk drive:

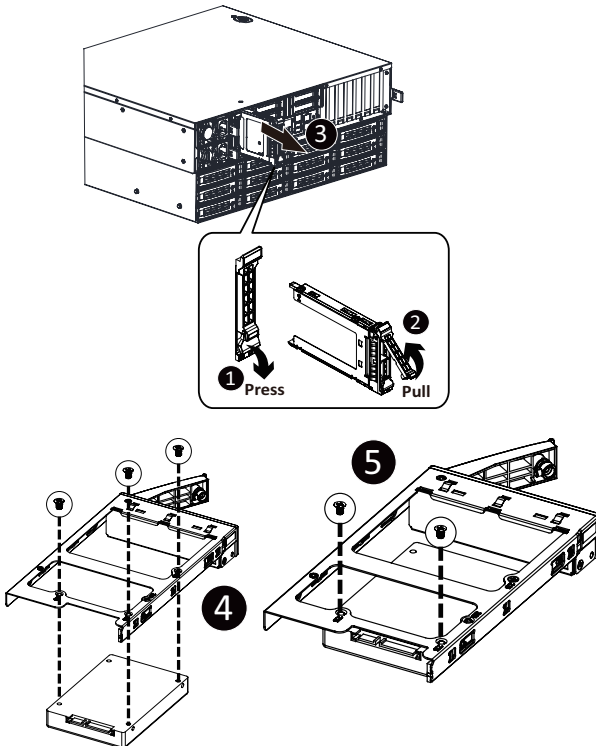
1. Press the release button.
2. Extend the locking lever.
3. Pull the locking lever in the direction indicated to remove the HDD tray.
4. Align the hard disk drive with the positioning screw on the HDD tray.
5. Secure the hard disk drive with five screws.
6. Reinsert the HDD tray into the slot and close the locking lever.



CAUTION!

We strongly recommend using enterprise level hard disk drives in the Gigabyte server system. For more information of recommended HDDs, please visit the Gigabyte website:

<https://www.gigabyte.com> and search for the specific product QVL from **Support & Downloads**.



Follow these instructions to install a 3.5" hard disk drive:

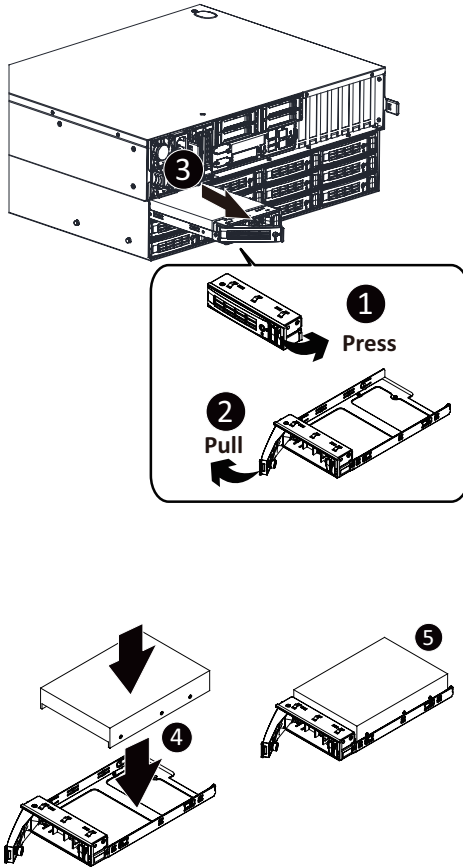
1. Press the release button.
2. Extend the locking lever.
3. Pull the locking lever in the direction indicated to remove the HDD tray.
4. Align the hard disk drive with the positioning stud on the HDD tray.
5. Slide the hard disk drive into the HDD tray.
6. Reinsert the HDD tray into the slot and close the locking lever.



CAUTION!

We strongly recommend using enterprise level hard disk drives in the Gigabyte server system. For more information of recommended HDDs, please visit the Gigabyte website:

<https://www.gigabyte.com> and search for the specific product QVL from **Support & Downloads**.

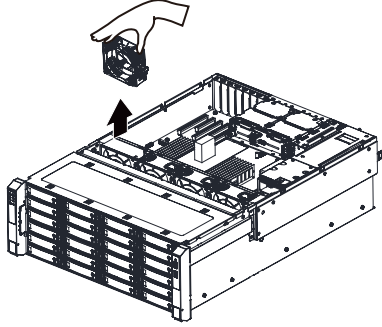


3-8 Replacing the Fan Assembly

Follow these instructions to replace a fan assembly:

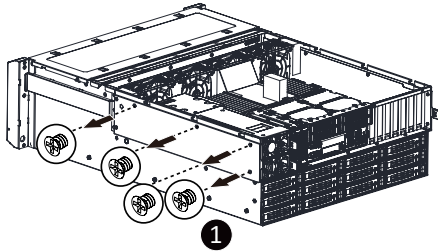
For Top Compartment Fans

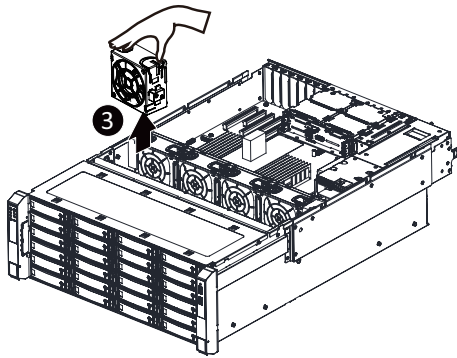
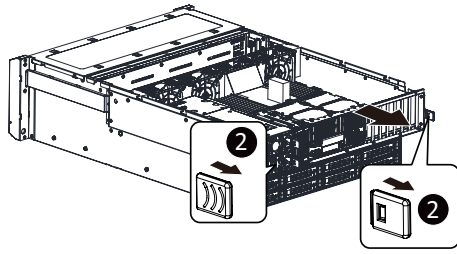
1. Grasp the fan assembly from the left and right side and then push the release buttons while lifting up the fan assembly from the chassis.
2. Reverse the previous steps to install the replacement fan assembly.



For Bottom Compartment Fans

1. Remove the 4 screws on the right chassis.
2. Use the release levers on the left and right side of the top compartment to pull the top compartment outwards.
3. Grasp the fan assembly from the left and right side and then push the release buttons while lifting up the fan assembly from the chassis.
4. Reverse the previous steps to install the replacement fan assembly.





3-9 Removing and Installing the Power Supply

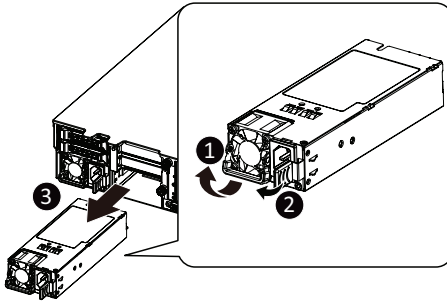


Before you remove or install the power supply unit:

- Make sure the system is not turned on or connected to AC power.

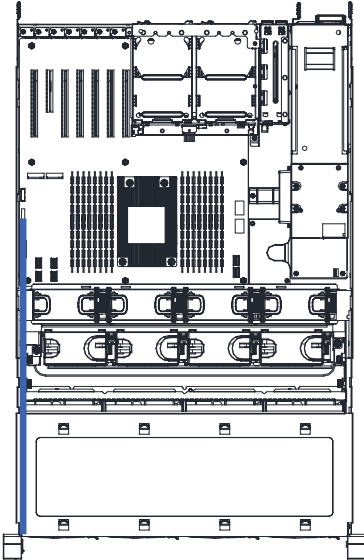
Follow these instructions to replace the power supply:

1. Flip up the power supply handle.
2. Press the retaining clip on the left side of the power supply unit along the direction of the arrow.
3. Pull the power supply handle at the same time and pull out the power supply unit.
4. Insert the replacement power supply unit firmly into the chassis. Connect the AC power cord to the replacement power supply.
5. Repeat steps 1-3 for replacement of the second power supply.

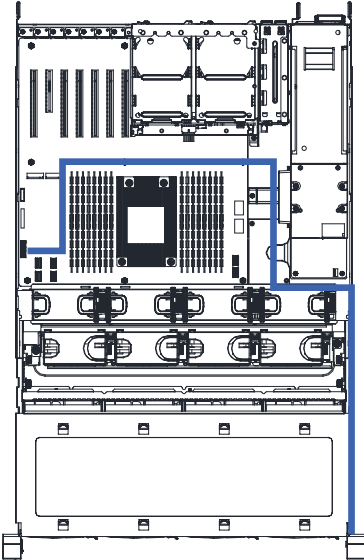


3-10 Cable Routing

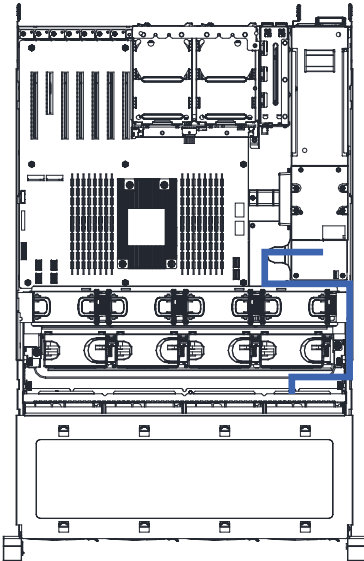
Front Panel Board Cable



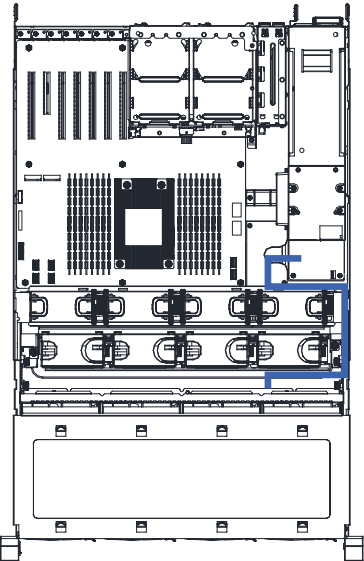
Front USB 3.0 Cable



System Main Power Cable (Bottom)

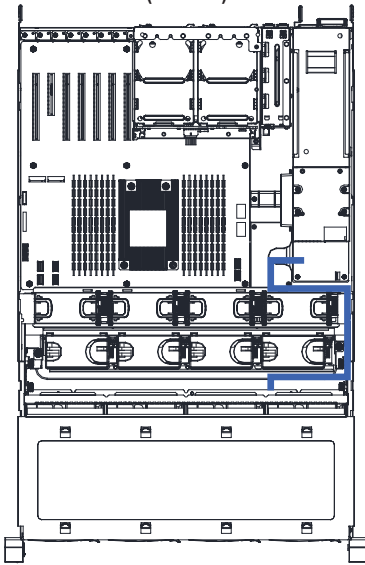


System Fan Power Cable (Bottom)

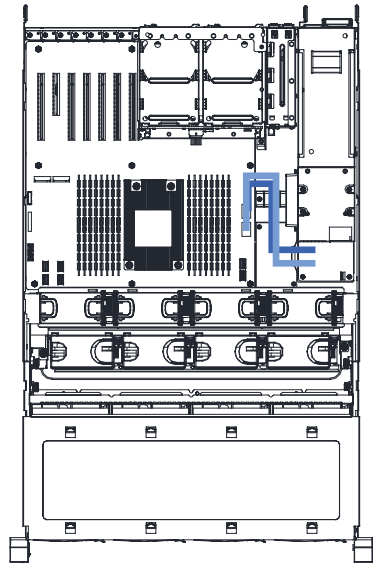


Rear HDD Back Plane Board Power Cable

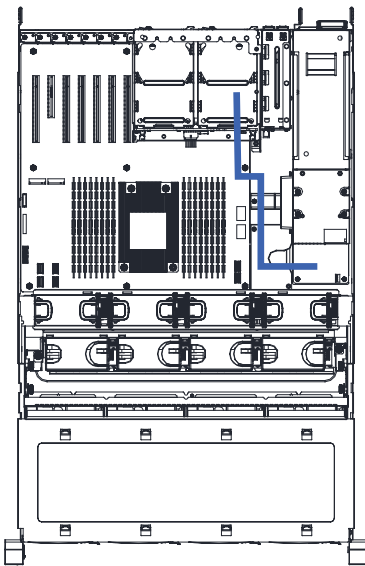
(Bottom)



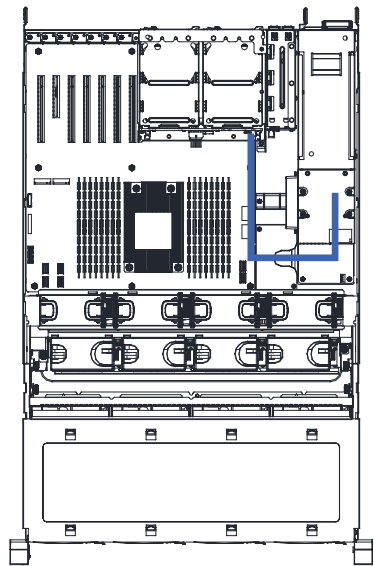
CPU Power Cable



Motherboard Power Cable

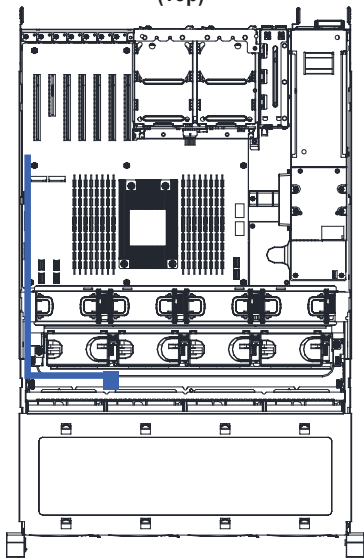


PMBus Cable



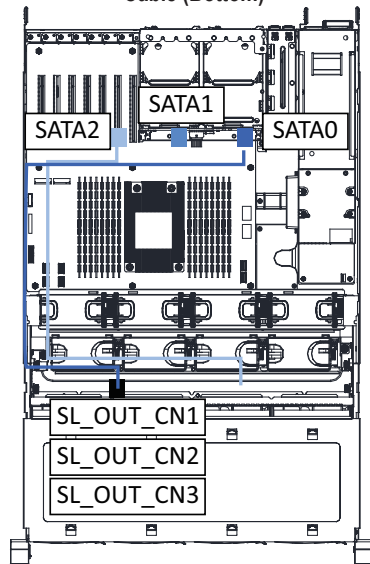
SAS RAID Card to Front HDD BPB Cable

(Top)



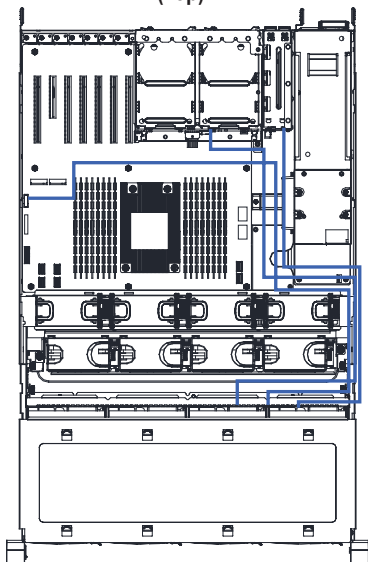
Front HDD BPB to Rear HDD BPB SAS HDD

Cable (Bottom)



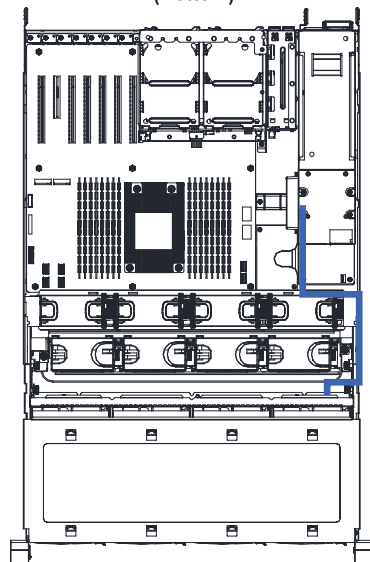
Rear HDD Back Plane Board Signal Cable

(Top)

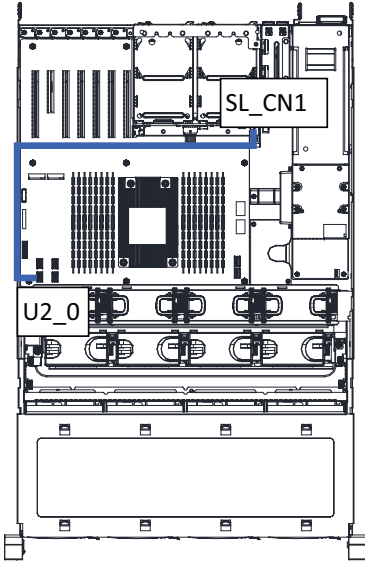


Rear HDD Back Plane Board Signal Cable

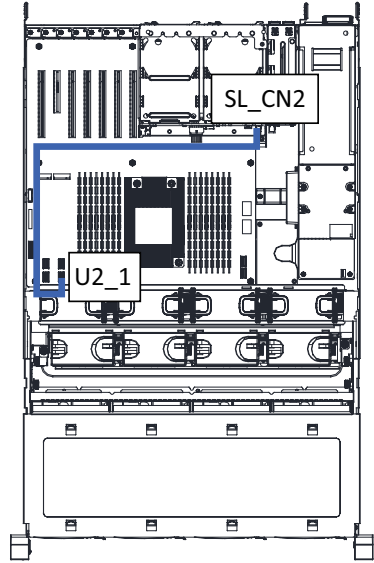
(Bottom)



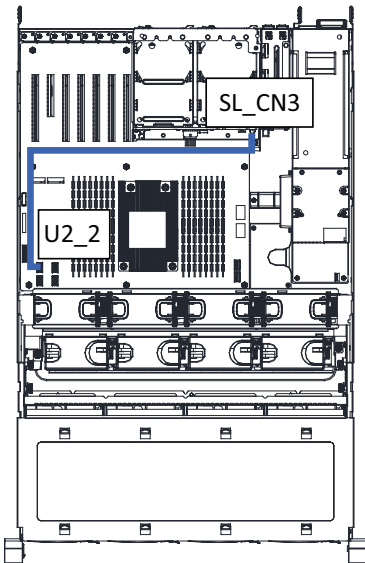
NVMe Cable



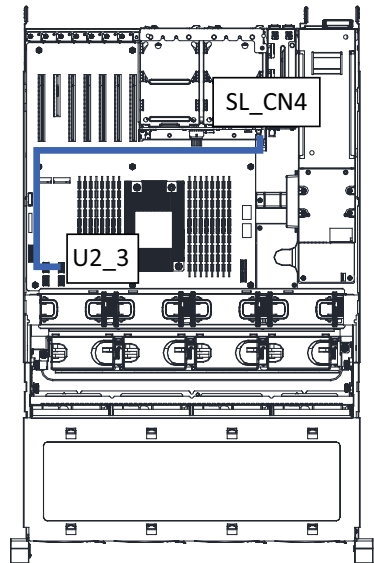
NVMe Cable



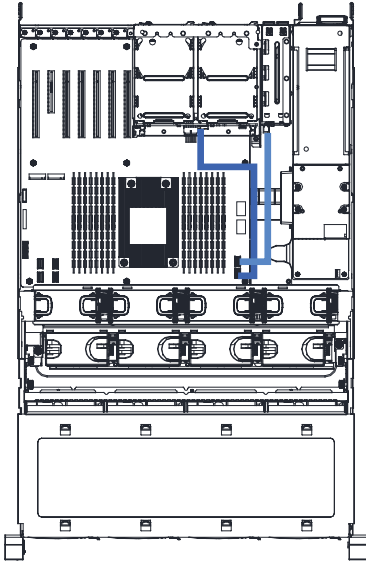
NVMe Cable



NVMe Cable

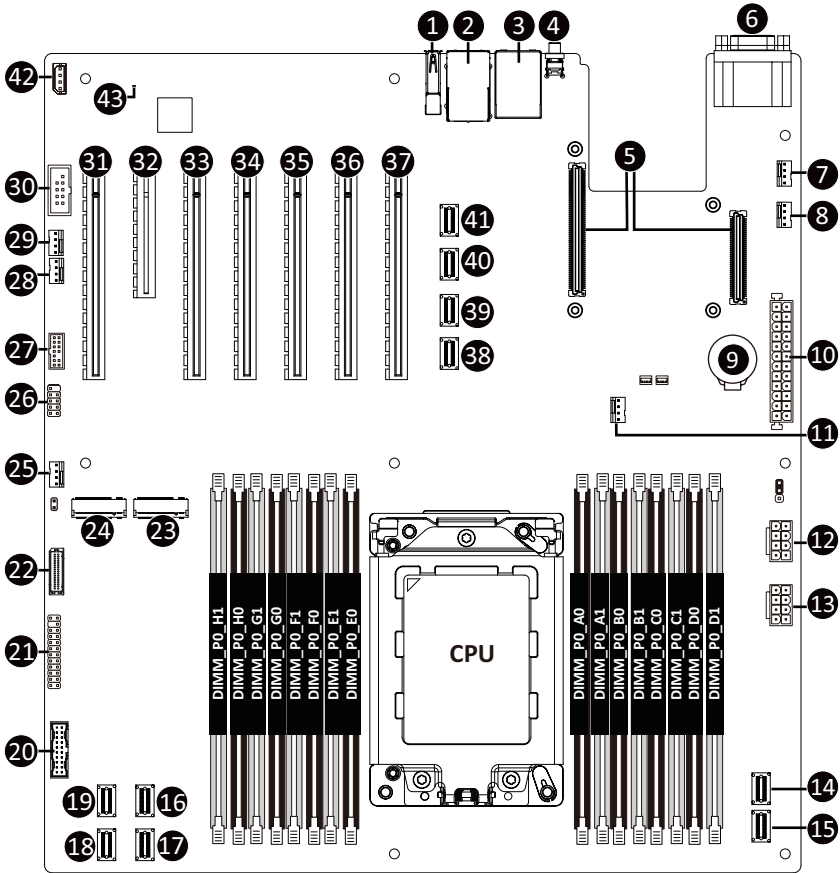


Rear HDD Back Plane Board SATA Cable



Chapter 4 Motherboard Components

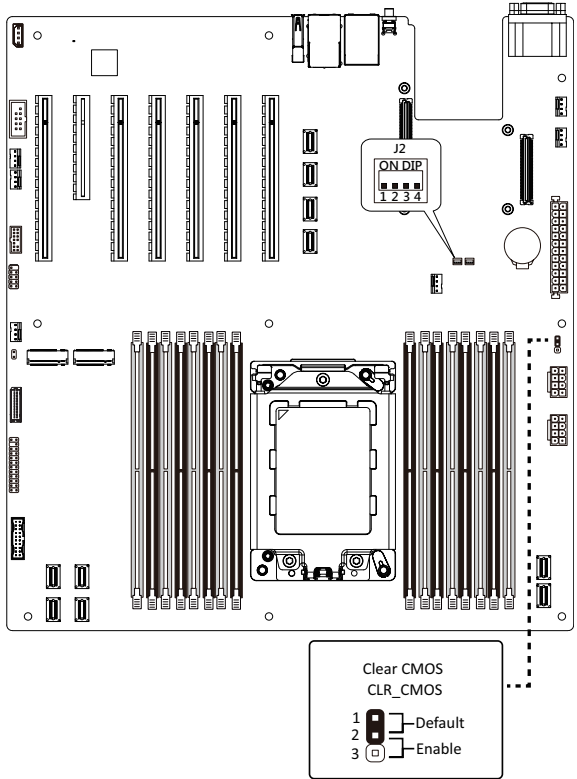
4-1 Motherboard Components



Item	Description
1	USB 3.0 Port
2	GbE Ethernet LAN Port #1/GbE Ethernet LAN Port #2
3	Server Management LAN Port (Top)/USB 3.0 Ports (Bottom)
4	ID Button with LED
5	OCP Mezzanine Connector
6	Serial Port (Top) / VGA Port (Bottom)
7	System Fan Connector #1
8	System Fan Connector #2

9	Battery Socket
10	2 x 12 Pin Main Power Connector
11	CPU Fan Connector #0
12	2 x 4 Pin Power Connector (for CPU)
13	2 x 4 Pin Power Connector (for Memory)
14	SlimLine SAS 4i Connector (SATAIII 6Gb/s Signal)
15	SlimLine SAS 4i Connector (SATAIII 6Gb/s Signal)
16	SlimLine SAS 4i Connector (NVMe/PCIe Gen3 x4)
17	SlimLine SAS 4i Connector (NVMe/PCIe Gen3 x4)
18	SlimLine SAS 4i Connector (NVMe/PCIe Gen3 x4)
19	SlimLine SAS 4i connector (NVMe/PCIe Gen3 x4)
20	Front Panel USB 3.0 Connector
21	Front Panel Header
22	HDD Back Plane Board Connector
23	M.2 slot (PCIe Gen3 x4, Support NGFF-2242/2260/2280)
24	M.2 slot (PCIe Gen3 x4, Support NGFF-2242/2260/2280)
25	System Fan Connector #5
26	USB 2.0 Header
27	TPM Module Connector
28	System Fan Connector #4
29	System Fan Connector #3
30	Serial Port Cable Connector
31	PCIe x16 Slot (Gen3 x16/x8)
32	PCIe x8 Slot (Gen3 x0/x8)
33	PCIe x16 slot (Gen4 x16)
34	PCIe x16 slot (Gen4 x16)
35	PCIe x16 slot (Gen4 x8)
36	PCIe x16 slot (Gen4 x16)
37	PCIe x16 slot (Gen4 x16) switch with 4 x Slim-SAS 4i from 4 x U.2
38	SlimLine SAS 4i Connector
39	SlimLine SAS 4i Connector
40	SlimLine SAS 4i Connector
41	SlimLine SAS 4i Connector
42	IPMB Connector
43	BMC Firmware Readiness LED

4-2 Jumper Settings



J2		ON	OFF
1	HSMB_SEL	BIOS Defined	
2	PMBUS_SEL	BIOS Defined	
3	BIOS_PWD	Clear Supervisor Password	Normal [Default]
4	BIOS_RCVR	BIOS Recovery Mode	Normal [Default]

This page intentionally left blank

Chapter 5 BIOS Setup

BIOS (Basic Input and Output System) records hardware parameters of the system in the EFI on the motherboard. Its major functions include conducting the Power-On Self-Test (POST) during system startup, saving system parameters and loading operating system, etc. BIOS includes a BIOS Setup program that allows the user to modify basic system configuration settings or to activate certain system features. When the power is turned off, the battery on the motherboard supplies the necessary power to the CMOS to keep the configuration values in the CMOS.

To access the BIOS Setup program, press the key during the POST when the power is turned on.



- BIOS flashing is potentially risky, if you do not encounter problems of using the current BIOS version, it is recommended that you don't flash the BIOS. To flash the BIOS, do it with caution. Inadequate BIOS flashing may result in system malfunction.
- It is recommended that you not alter the default settings (unless you need to) to prevent system instability or other unexpected results. Inadequately altering the settings may result in system's failure to boot. If this occurs, try to clear the CMOS values and reset the board to default values. (Refer to the Exit section in this chapter or introductions of the battery/clearing CMOS jumper in Chapter 4 for how to clear the CMOS values.)

BIOS Setup Program Function Keys

<<-><->>	Move the selection bar to select the screen
<↑><↓>	Move the selection bar to select an item
<+>	Increase the numeric value or make changes
<->	Decrease the numeric value or make changes
<Enter>	Execute command or enter the submenu
<Esc>	Main Menu: Exit the BIOS Setup program Submenus: Exit current submenu
<F1>	Show descriptions of general help
<F3>	Restore the previous BIOS settings for the current submenus
<F9>	Load the Optimized BIOS default settings for the current submenus
<F10>	Save all the changes and exit the BIOS Setup program

- **Main**

This setup page includes all the items in standard compatible BIOS.

- **Advanced**

This setup page includes all the items of AMI BIOS special enhanced features.

(ex: Auto detect fan and temperature status, automatically configure hard disk parameters.)

- **AMD CBS**

This setup page includes the common items for configuration of AMD motherboard-related information.

- **AMD PBS Option**

This setup page includes the common items for configuration of AMD CPM RAS related settings.

- **Chipset**

This setup page includes all the submenu options for configuring the function of processor, network, main chipset, and system event logs.

- **Server Management**

Server additional features enabled/disabled setup menus.

- **Security**

Change, set, or disable supervisor and user password. Configuration supervisor password allows you to restrict access to the system and BIOS Setup.

A supervisor password allows you to make changes in BIOS Setup.

A user password only allows you to view the BIOS settings but not to make changes.

- **Boot**

This setup page provides items for configuration of boot sequence.

- **Save & Exit**

Save all the changes made in the BIOS Setup program to the CMOS and exit BIOS Setup. (Pressing <F10> can also carry out this task.)

Abandon all changes and the previous settings remain in effect. Pressing <Y> to the confirmation message will exit BIOS Setup. (Pressing <Esc> can also carry out this task.)

5-1 The Main Menu

Once you enter the BIOS Setup program, the Main Menu (as shown below) appears on the screen. Use arrow keys to move among the items and press <Enter> to accept or enter other sub-menu.

Main Menu Help

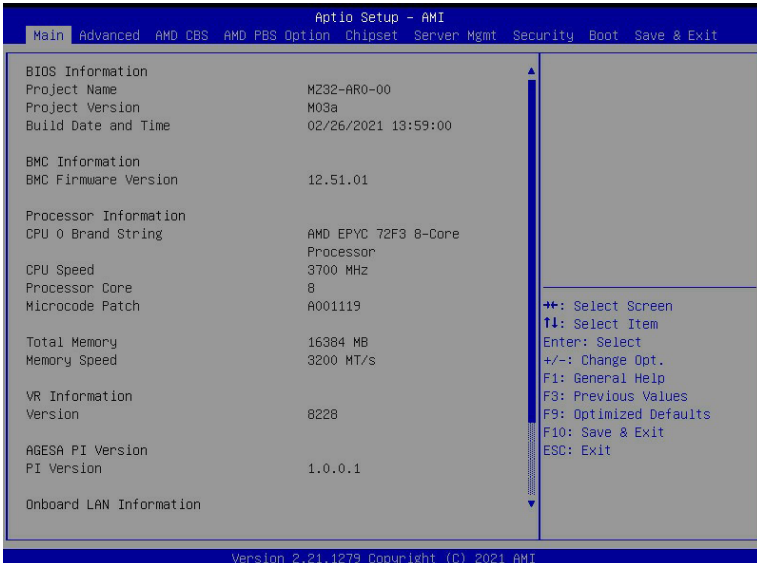
The on-screen description of a highlighted setup option is displayed on the bottom line of the Main Menu.

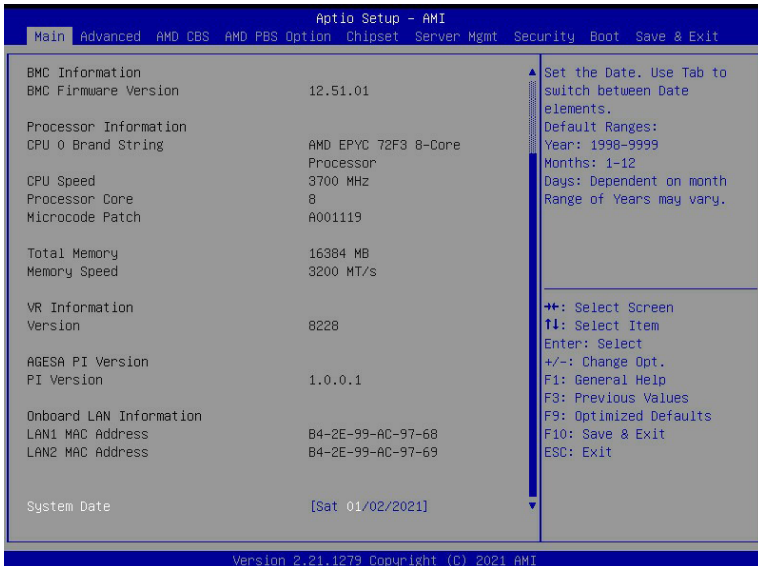
Submenu Help

While in a submenu, press <F1> to display a help screen (General Help) of function keys available for the menu. Press <Esc> to exit the help screen. Help for each item is in the Item Help block on the right side of the submenu.



- When the system is not stable as usual, select the **Restore Defaults** item to set your system to its defaults.
- The BIOS Setup menus described in this chapter are for reference only and may differ by BIOS version.





Parameter	Description
BIOS Information	
Project Name	Displays the project name information.
Project Version	Displays version number of the BIOS setup utility.
Build Date and Time	Displays the date and time when the BIOS setup utility was created.
BMC Information	
BMC Firmware Version	Displays version number of the BIOS setup utility.
BIOS Information	
Project Name	Displays the project name information.
Project Version	Displays version number of the BIOS setup utility.
Build Date and Time	Displays the date and time when the BIOS setup utility was created.
BMC Information	
BMC Firmware Version	Displays version number of the BIOS setup utility.
Processor Information	
CPU 0 Brand String / CPU 1 Brand String / CPU Speed / Processor Core / Microcode Patch	Displays the technical information for the installed processor(s).

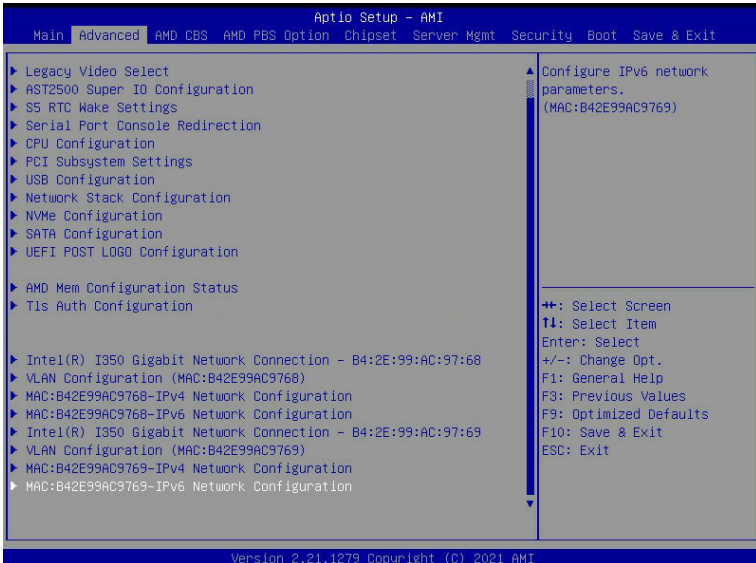
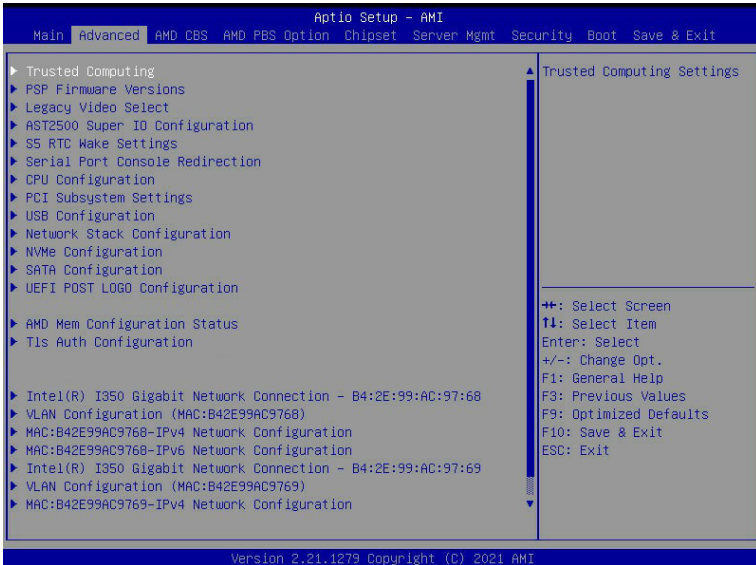
Parameter	Description
Total Memory ^(Note1)	Displays the total memory size of the installed memory.
Memory Speed ^(Note1)	Displays the frequency information of the installed memory.
VR Information	
Version	Displays VR version information.
AGESA PI Version	
PI Version	Displays AGESA PI version information.
Onboard LAN Information	
LAN1 MAC Address ^(Note2)	Displays LAN MAC address information.
LAN2 MAC Address ^(Note2)	Displays LAN MAC address information.
System Date	Sets the date following the weekday-month-day-year format.
System Time	Sets the system time following the hour-minute-second format.

(Note1) The number of LAN ports listed will depend on the motherboard / system model.

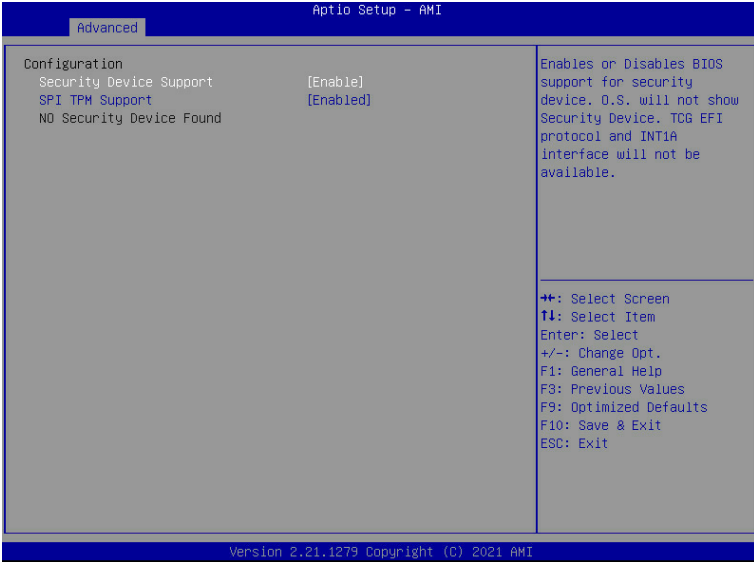
(Note2) This section will display capacity and frequency information of the memory that the customer has installed.

5-2 Advanced Menu

The Advanced menu display submenu options for configuring the function of various hardware components. Select a submenu item, then press [Enter] to access the related submenu screen.



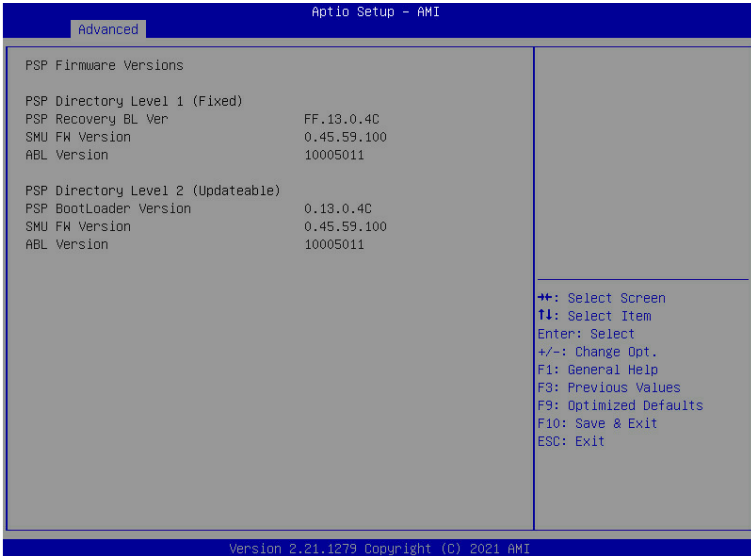
5-2-1 Trusted Computing



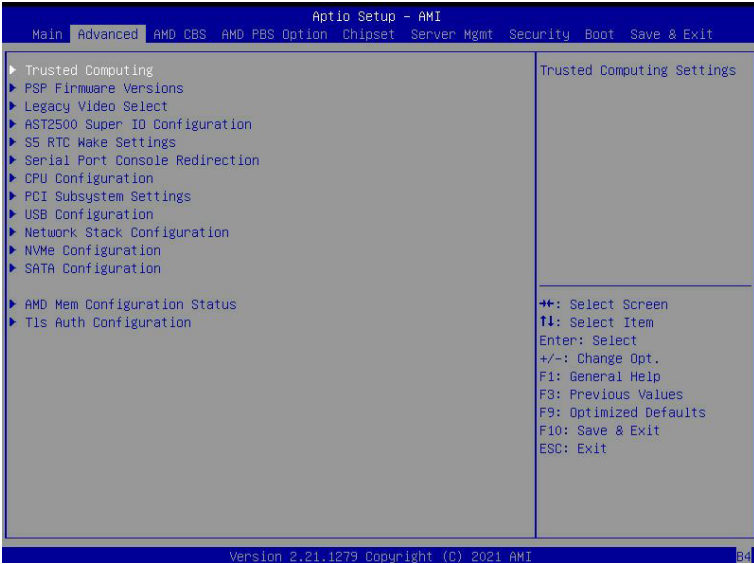
Parameter	Description
Configuration	
Security Device Support	Select Enable to activate TPM support feature. Options available: Enable/Disable. Default setting is Enable .
SPI TPM Support	Options available: Enabled/Disabled. Default setting is Enabled

5-2-2 PSP Firmware Versions

The PSP Firmware Versions page displays the basic PSP firmware version information. Items on this window are non-configurable.

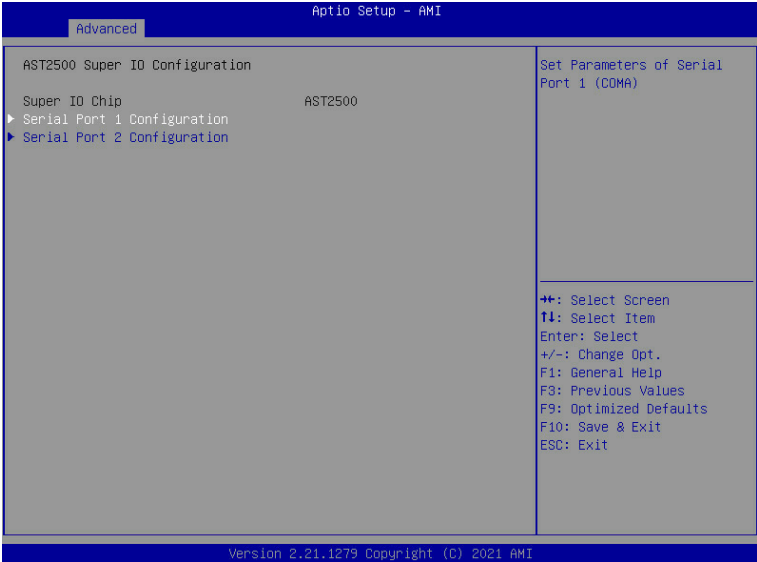


5-2-3 Legacy Video Select



Parameter	Description
OnBrd/Ext VGA Select	Select between onboard or external VGA support. Options available: Auto/Onboard/External. Default setting is Onboard .

5-2-4 AST2500 Super IO Configuration



Parameter	Description
AST2500 Super IO Configuration	
Super IO Chip	Displays the super IO chip information.

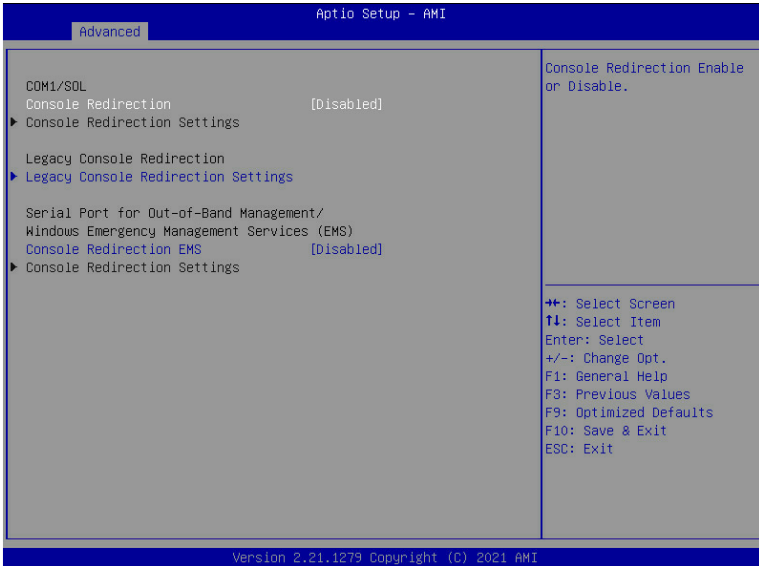
Parameter	Description
Serial Port 1/2 Configuration	<p>Press [Enter] to configure advanced items.</p> <ul style="list-style-type: none"> ◆ Serial Port^(Note1): <ul style="list-style-type: none"> – Enable/Disable the Serial Port (COM). When set to Enabled allows you to configure the Serial port 1/2 settings. When set to Disabled, displays no configuration for the serial port. – Options available: Enabled/Disabled. Default setting is Enabled. ◆ Devices Settings^(Note2): <ul style="list-style-type: none"> – Displays the serial port 1/2 device settings. ◆ Change Settings^(Note2): <ul style="list-style-type: none"> – Select an optimal setting for the Super I/O device: – Options available for Serial Port 1: <ul style="list-style-type: none"> Auto IO=3F8h; IRQ=4; IO=3F8h; IRQ=3, 4, 5, 6, 7, 9, 10, 11, 12; IO=2F8h; IRQ=3, 4, 5, 6, 7, 9, 10, 11, 12; IO=3E8h; IRQ=3, 4, 5, 6, 7, 9, 10, 11, 12; IO=2E8h; IRQ=3, 4, 5, 6, 7, 9, 10, 11, 12; Default setting is Auto. Options available for Serial Port 2: <ul style="list-style-type: none"> Auto IO=2F8h; IRQ=3; IO=3F8h; IRQ=3, 4, 5, 6, 7, 9, 10, 11, 12; IO=2F8h; IRQ=3, 4, 5, 6, 7, 9, 10, 11, 12; IO=3E8h; IRQ=3, 4, 5, 6, 7, 9, 10, 11, 12; IO=2E8h; IRQ=3, 4, 5, 6, 7, 9, 10, 11, 12; Default setting is Auto. <p>(Note1) Advanced items will appear when this item is set to Enabled.</p> <p>(Note2) This item will appear when Serial Port is set to Enabled.</p>

5-2-5 S5 RTC Wake Settings



Parameter	Description
Wake system from S5	Enable or disable system wake on alarm event. Select Fixed Time, system will wake on the time (HH:MM:SS) specified. Select Dynamic Time and the system will wake at the current time plus an increase in minute(s). Options available: Disabled/Fixed Time. Default setting is Disabled .

5-2-6 Serial Port Console Redirection



Parameter	Description
COM1/SOL / COM2 Console Redirection ^(Note)	Select whether to enable console redirection for specified device. Console redirection enables the users to manage the system from a remote location. Options available: Enabled/Disabled. Default setting is Disabled .
Legacy Console Redirection	Selects a COM port for Legacy serial redirection. The options are dependent on the available COM ports.
Serial Port for Out-of-Band Management / Windows Emergency Management Services (EMS) Console Redirection ^(Note)	Selects a COM port for EMS console redirection. EMS console redirection allows the user to configure Console Redirection Settings to support Out-of-Band Serial Port management. Options available: Enabled/Disabled. Default setting is Disabled .
COM1/SOL / COM2 Console Redirection Settings	<p>Press [Enter] to configure advanced items.</p> <p>Please note that this item is configurable when COM1/SOL / COM2 Console Redirection is set to Enabled.</p> <ul style="list-style-type: none"> ◆ Terminal Type <ul style="list-style-type: none"> – Selects a terminal type to be used for console redirection. – Options available: VT100/VT100+/ANSI /VT-UTF8. Default setting is ANSI.

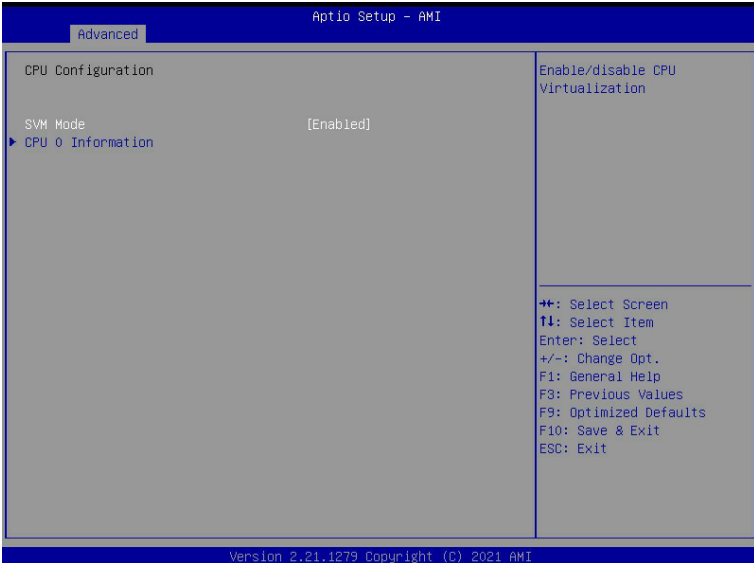
(Note) Advanced items prompt when this item is set to Enabled.

Parameter	Description
COM1/SOL / COM2 Console Redirection Settings (continued)	<ul style="list-style-type: none"> ◆ Bits per second <ul style="list-style-type: none"> – Selects the transfer rate for console redirection. – Options available: 9600/19200/38400/57600/115200. Default setting is 115200. ◆ Data Bits <ul style="list-style-type: none"> – Selects the number of data bits used for console redirection. – Options available: 7/8. Default setting is 8. ◆ Parity <ul style="list-style-type: none"> – A parity bit can be sent with the data bits to detect some transmission errors. – Even: parity bit is 0 if the num of 1's in the data bits is even. – Odd: parity bit is 0 if num of 1's in the data bits is odd. – Mark: parity bit is always 1. Space: Parity bit is always 0. – Mark and Space Parity do not allow for error detection. – Options available: None/Even/Odd/Mark/Space. Default setting is None. ◆ Stop Bits <ul style="list-style-type: none"> – Stop bits indicate the end of a serial data packet. (A start bit indicates the beginning). The standard setting is 1 stop bit. Communication with slow devices may require more than 1 stop bit. – Options available: 1/2. Default setting is 1. ◆ Flow Control <ul style="list-style-type: none"> – Flow control can prevent data loss from buffer overflow. When sending data, if the receiving buffers are full, a 'stop' signal can be sent to stop the data flow. Once the buffers are empty, a 'start' signal can be sent to re-start the flow. Hardware flow control uses two wires to send start/stop signals. – Options available: None/Hardware RTS/CTS. Default setting is None. ◆ VT-UTF8 Combo Key Support <ul style="list-style-type: none"> – Enable/Disable the VT-UTF8 Combo Key Support. – Options available: Enabled/Disabled. Default setting is Enabled. ◆ Recorder Mode^(Note) <ul style="list-style-type: none"> – When this mode enabled, only texts will be send. This is to capture Terminal data. – Options available: Enabled/Disabled. Default setting is Disabled. ◆ Resolution 100x31^(Note) <ul style="list-style-type: none"> – Enable/Disable extended terminal resolution. – Options available: Enabled/Disabled. Default setting is Enabled. ◆ Putty KeyPad^(Note) <ul style="list-style-type: none"> – Selects FunctionKey and KeyPad on Putty. – Options available: T100/LINUX/XTERMR6/SCO/ESCN/VT400. – Default setting is VT100.

(Note) Advanced items prompt when this item is defined.

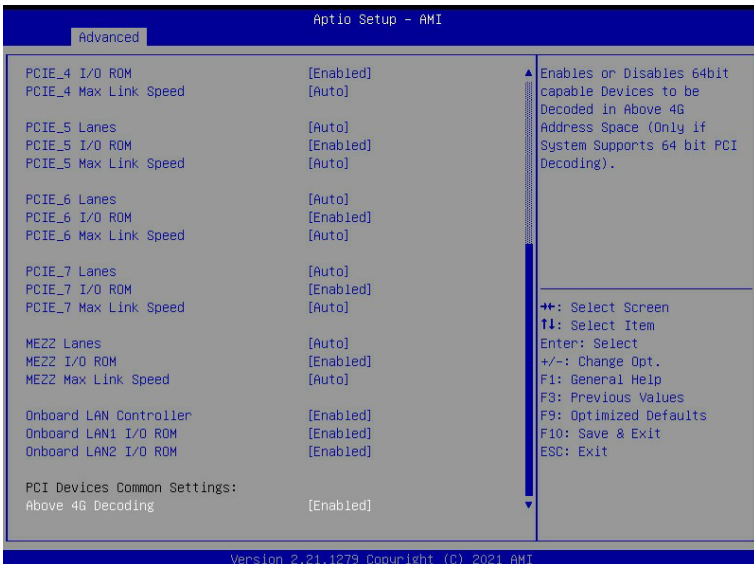
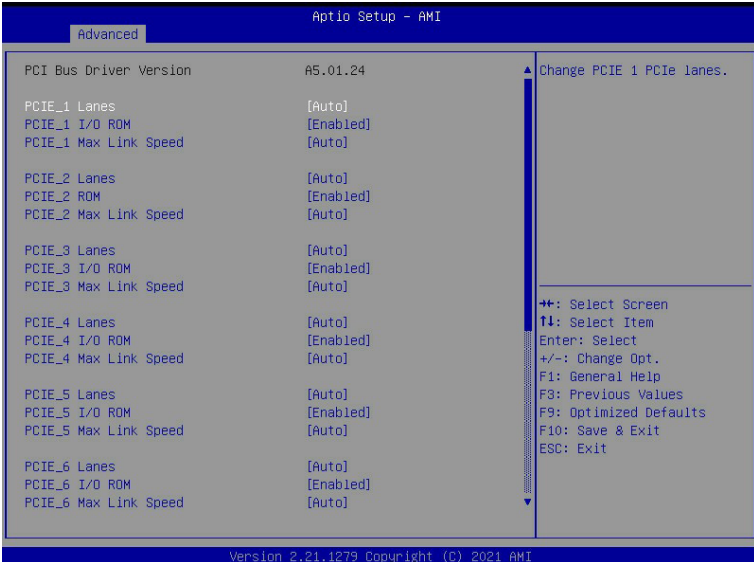
Parameter	Description
Legacy Console Redirection Settings	<ul style="list-style-type: none"> ◆ Redirection COM Port <ul style="list-style-type: none"> – Selects a COM port to display redirection of Legacy OS and Legacy OPROM Messages. – Options available: COM1/SOL / COM2. Default setting is COM1/SOL. ◆ Resolution <ul style="list-style-type: none"> – On Legacy OS, the number of rows and columns supported in redirection. – Options available: 80x24/80x25. Default setting is 80x24. ◆ Redirection After BIOS POST <ul style="list-style-type: none"> – This item allows user to enable console redirection after OS has loaded. – Options available: Always Enable/Boot Loader. Default setting is Always Enable.
Serial Port for Out-of-Band Management / Windows Emergency Management Services (EMS) Console Redirection Settings	<ul style="list-style-type: none"> ◆ Out-of-Band Mgmt Port <ul style="list-style-type: none"> – Selects a serial port to remotely manage a Windows server OS. – Options available: COM1/SOL / COM2. Default setting is COM1/SOL. ◆ Terminal Type <ul style="list-style-type: none"> – Selects a terminal type to be used for console redirection. – Options available: VT100/VT100+/ANSI /VT-UTF8. Default setting is VT-UTF8. ◆ Bits per second <ul style="list-style-type: none"> – Selects the transfer rate for console redirection. – Options available: 9600/19200/38400/57600/115200. Default setting is 115200. ◆ Flow Control <ul style="list-style-type: none"> – Flow control can prevent data loss from buffer overflow. When sending data, if the receiving buffers are full, a 'stop' signal can be sent to stop the data flow. Once the buffers are empty, a 'start' signal can be sent to re-start the flow. Hardware flow control uses two wires to send start/stop signals. – Options available: None/Hardware RTS/CTS. Default setting is None.

5-2-7 CPU Configuration



Parameter	Description
CPU Configuration	
SVM Mode	Enable/disable the CPU Virtualization. Options available: Enabled/Disabled. Default setting is Enabled .
SMEE	Controls the Secure Memory Encryption Enable (SMEE) function. Options available: Enabled/Disabled. Default setting is Enabled .
CPU 0 Information	Press [Enter] to view more information related to CPU 0.
CPU 1 Information	Press [Enter] to view more information related to CPU 1.

5-2-8 PCI Subsystem Settings

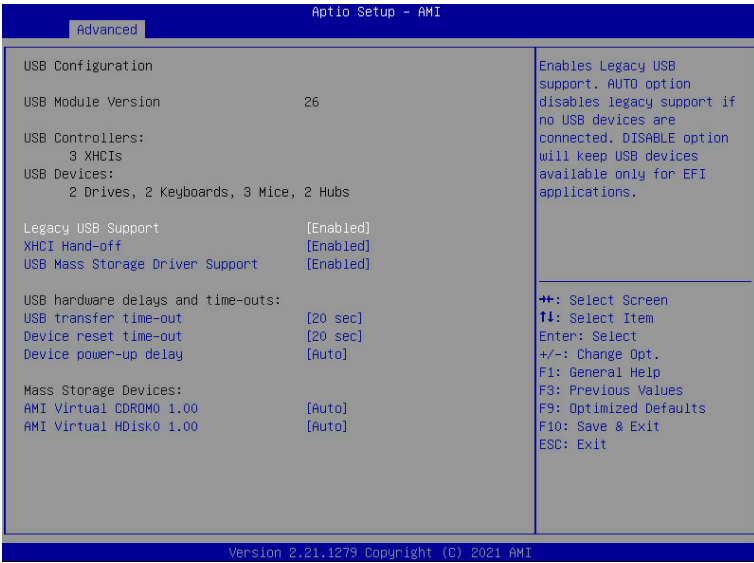


Parameter	Description
PCI Bus Driver Version	Displays the PCI Bus Driver version information.
SLOT1_F / SLOT1_R / SLOT2_F / SLOT2_R / SLOT3 / OCP1 / OCP2 Lanes ^(Note1)	Change the PCIe lanes. Options available: Auto / x16 / x8 x8 / x8 x4 x4 / x4 x4 x8 / x4 x4 x4 x4 (OCP2 Lanes only features Auto / x8 / x4 x4.) Disabled. Default setting is Auto .
SLOT1_F / SLOT1_R / SLOT2_F / SLOT2_R / SLOT3 / OCP1 / OCP2 I/O ROM ^(Note1)	When enabled, this setting will initialize the device expansion ROM for the related PCI-E slot. Options available: Enabled/Disabled. Default setting is Enabled .
Onboard LAN Controller ^(Note2)	Enable/Disable the onboard LAN devices. Options available: Enabled/Disabled. Default setting is Enabled .
Onboard LAN I/O ROM ^(Note2)	Enable/Disable the onboard LAN devices and initializes device expansion ROM. Options available: Enabled/Disabled. Default setting is Enabled .
PCI Devices Common Settings	
Above 4G Decoding	Enable/Disable memory mapped I/O to 4GB or greater address space (Above 4G Decoding). Options available: Enabled/Disabled. Default setting is Enabled .
SR-IOV Support	If the system has SR-IOV capable PCIe devices, this item Enable/Disable Single Root IO Virtualization Support. Options available: Enabled/Disabled. Default setting is Enabled .

(Note1) This section is dependent on the available PCIe Slot.

(Note2) This section is dependent on the available LAN controller.

5-2-9 USB Configuration

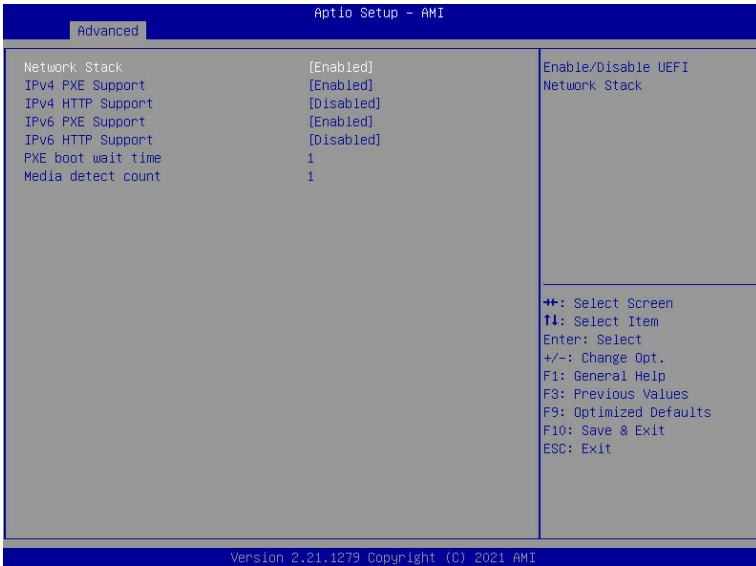


Parameter	Description
USB Configuration	
USB Module Version	Displays the USB version.
USB Controllers	Displays the supported USB controllers.
USB Devices	Displays the USB devices connected to the system.
Legacy USB Support	Enable/disable the Legacy USB support function. AUTO option disables legacy support if no USB devices are connected. DISABLE option will keep USB devices available only for EFI applications. Options available: Auto/Enabled/Disabled. Default setting is Enabled .
XHCI Hand-off	Enable/Disable the XHCI (USB 3.0) Hand-off support. Options available: Enabled/Disabled. Default setting is Enabled .
USB Mass Storage Driver Support ^(Note)	Enable/Disable the USB Mass Storage Driver Support. Options available: Enabled/Disabled. Default setting is Enabled .
Port 60/64 Emulation	Enables the I/O port 60h/64h emulation support. This should be enabled for the complete USB Keyboard Legacy support for non-USB aware OS. Options available: Enabled/Disabled. Default setting is Enabled .
USB hardware delays and time-outs	
USB transfer time out	The time-out value for Control, Bulk, and Interrupt transfers. Options available: 1 sec/5 sec/10 sec/20 sec. Default setting is 20 sec .

(Note) This item is present only if you attach USB devices.

Parameter	Description
Device reset time-out	USB mass storage device Start Unit command time-out. Options available: 10 sec/20 sec/30 sec/40 sec. Default setting is 20 sec.
Device power-up delay	Maximum time the device will take before it properly reports itself to the Host Controller. "Auto" uses default value: for a Root port it is 100 ms, for a Hub port the delay is taken from Hub descriptor. Options available: Auto/Manual. Default setting is Auto.
Mass Storage Devices	
AMI Virtual CDROM0 1.00 / HDisk0 1.00	Mass storage device emulation type. AUTO enumerates devices according to their media format. Optical drives are emulated as CDROM, drives with no media will be emulated according to a drive type. Options available: Auto/Floppy/Forced FDD/Hard Disk/CD-ROM. Default setting is Auto.

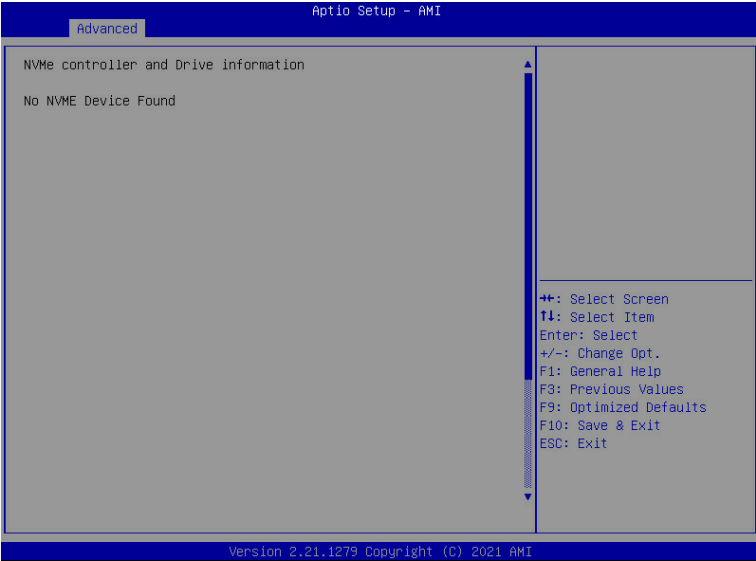
5-2-10 Network Stack Configuration



Parameter	Description
Network Stack	Enable/Disable the UEFI network stack. Options available: Enabled/Disabled. Default setting is Enabled .
Ipv4 PXE Support ^(Note)	Enable/Disable the Ipv4 PXE feature. Options available: Enabled/Disabled. Default setting is Enabled .
Ipv4 HTTP Support ^(Note)	Enable/Disable the Ipv4 HTTP feature. Options available: Enabled/Disabled. Default setting is Disabled .
Ipv6 PXE Support ^(Note)	Enable/Disable the Ipv6 PXE feature. Options available: Enabled/Disabled. Default setting is Disabled .
Ipv6 HTTP Support ^(Note)	Enable/Disable the Ipv6 HTTP feature. Options available: Enabled/Disabled. Default setting is Disabled .
IPSEC Certificate ^(Note)	Enable/Disable the IPSEC Certificate feature.
PXE boot wait time ^(Note)	Wait time in seconds to press ESC key to abort the PXE boot. Press the <+> / <-> keys to increase or decrease the desired values.
Media detect count ^(Note)	Number of times the presence of media will be checked. Press the <+> / <-> keys to increase or decrease the desired values.

(Note) This item appears when **Network Stack** is set to **Enabled**.

5-2-11 NVMe Configuration



Parameter	Description
NVMe controller and Drive Information	Displays the NVMe devices connected to the system.

5-2-12 SATA Configuration

Aptio Setup - AMI

Advanced

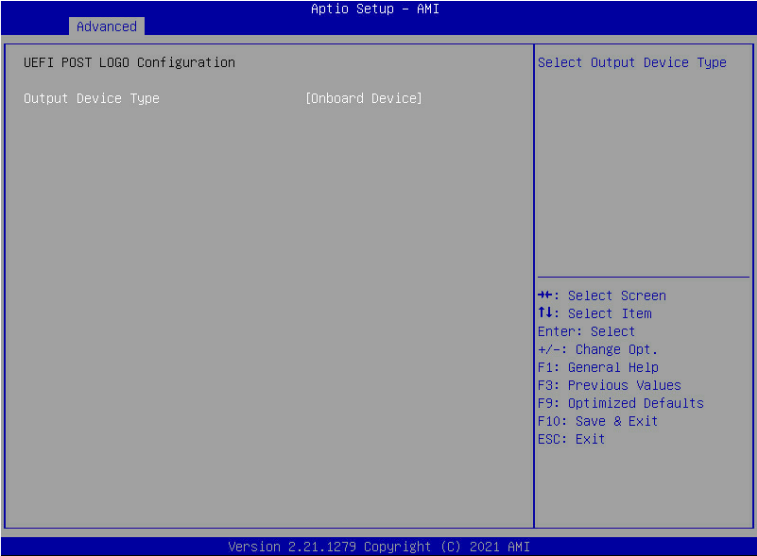
SATA Configuration

SLSAS_0	
Port 0	Not Present
Port 1	Not Present
Port 2	Not Present
Port 3	Not Present
SLSAS_1	
Port 0	Not Present
Port 1	Not Present
Port 2	Not Present
Port 3	Not Present

++: Select Screen
↑: Select Item
Enter: Select
+/-: Change Opt.
F1: General Help
F8: Previous Values
F9: Optimized Defaults
F10: Save & Exit
ESC: Exit

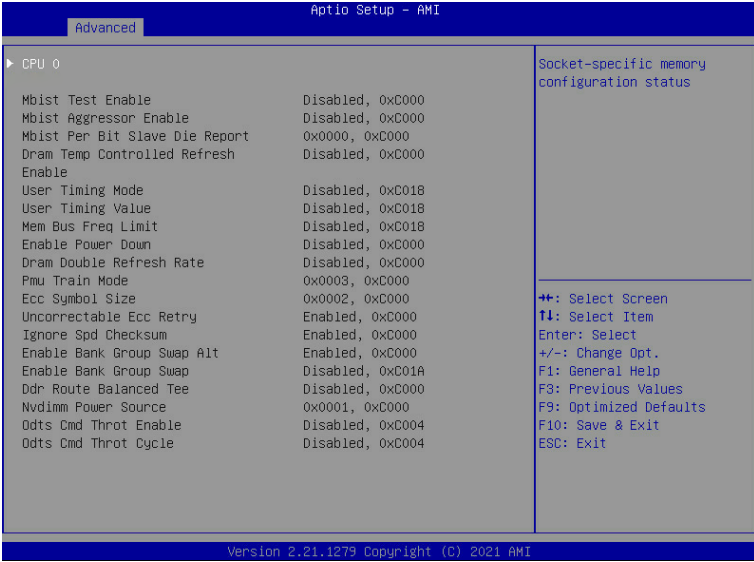
Version 2.21.1279 Copyright (C) 2021 AMI

5-2-13 UEFI POST LOGO Configuration



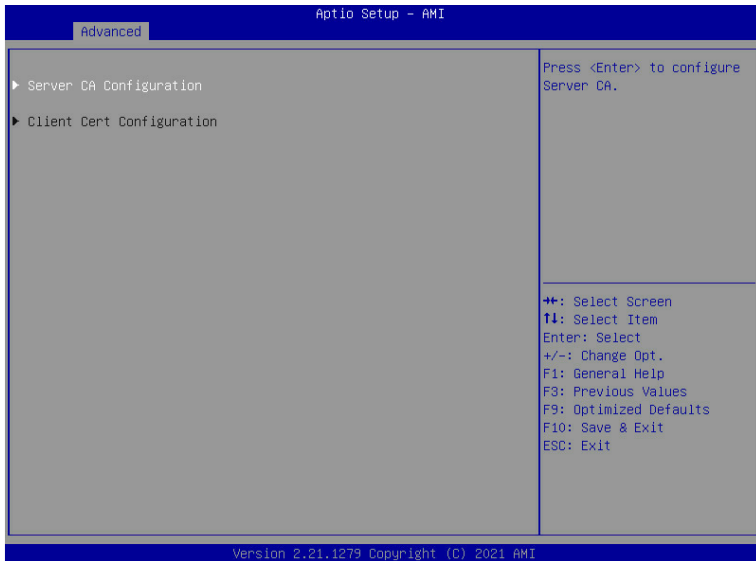
Parameter	Description
UEFI Configuration	Select output device type.

5-2-14 AMD Mem Configuration Status



Parameter	Description
CPU 0	<p>Press [Enter] for configuration of advanced items.</p> <ul style="list-style-type: none"> ◆ Channel A/BC/D/E/F/G/H <ul style="list-style-type: none"> – DIMM0 Presence – DIMM1 Presence – Chipset/Bank Interleave ◆ Dram EC ◆ Dram Parity ◆ Dimm Sensor Fine Grain Mode
CPU 1	<p>Press [Enter] for configuration of advanced items.</p> <ul style="list-style-type: none"> ◆ Channel I/J/K/L/M/N/O/P <ul style="list-style-type: none"> – DIMM0 Presence – DIMM1 Presence – Chipset/Bank Interleave ◆ Dram EC ◆ Dram Parity ◆ Dimm Sensor Fine Grain Mode

5-2-15 Tls Auth Configuration



Parameter	Description
Server CA Configuration	<p>Press [Enter] for configuration of advanced items.</p> <ul style="list-style-type: none"> ◆ Enroll Cert <ul style="list-style-type: none"> – Press [Enter] to enroll a certificate <ul style="list-style-type: none"> • Enroll Cert Using File • Cert GUID Input digit character in 1111111-2222-3333-4444-1234567890ab format. – Commit Changes and Exit – Discard Changes and Exit ◆ Delete Cert
Client Cert Configuration	N/A

5-2-16 Intel(R) I350 Gigabit Network Connection

Aptio Setup - AMI

Advanced

► NIC Configuration

Blink LEDs 0

UEFI Driver Intel(R) PRO/1000 8.5.21
PCI-E

Adapter PBA 140422-008

Device Name Intel(R) I350 Gigabit
Network Connection

Chip Type Intel i350

PCI Device ID 1521

PCI Address C1:00:00

Link Status [Disconnected]

MAC Address B4:2E:99:AC:97:68

Virtual MAC Address 00:00:00:00:00:00

Click to configure the network device port.

←+: Select Screen
↑: Select Item
Enter: Select
+/-: Change Opt.
F1: General Help
F8: Previous Values
F9: Optimized Defaults
F10: Save & Exit
ESC: Exit

Version 2.21.1279 Copyright (C) 2021 AMI

Aptio Setup - AMI

Advanced

Link Speed [Auto Negotiated]

Wake On LAN [Enabled]

Specifies the port speed used for the selected boot protocol.

←+: Select Screen
↑: Select Item
Enter: Select
+/-: Change Opt.
F1: General Help
F8: Previous Values
F9: Optimized Defaults
F10: Save & Exit
ESC: Exit

Version 2.21.1279 Copyright (C) 2021 AMI

Parameter	Description
NIC Configuration	<p>Press [Enter] to configure advanced items.</p> <ul style="list-style-type: none"> ◆ Link Speed <ul style="list-style-type: none"> – Allows for automatic link speed adjustment. – Options available: Auto Negotiated/10 Mbps Half/10 Mbps Full/100 Mbps Half/100 Mbps Full. Default setting is Auto Negotiated. ◆ Wake On LAN <ul style="list-style-type: none"> – Enables power on of the system via LAN. Note that configuring Wake on LAN in the operating system does not change the value of this setting, but does override the behavior of Wake on LAN in OS controlled power states. – Options available: Enabled/Disabled. Default setting is Enabled.
Blink LEDs	Identifies the physical network port by blinking the associated LED. Press the numeric keys to adjust desired values.
UEFI Driver	Displays the technical specifications for the Network Interface Controller.
Adapter PBA	Displays the technical specifications for the Network Interface Controller.
Device Name	Displays the technical specifications for the Network Interface Controller.
Chip Type	Displays the technical specifications for the Network Interface Controller.
PCI Device ID	Displays the technical specifications for the Network Interface Controller.
PCI Address	Displays the technical specifications for the Network Interface Controller.
Link Status	Displays the technical specifications for the Network Interface Controller.
MAC Address	Displays the technical specifications for the Network Interface Controller.
Virtual MAC Address	Displays the technical specifications for the Network Interface Controller.

5-2-17 VLAN Configuration

Aptio Setup - AMI

Advanced

Link Speed Wake On LAN	[Auto Negotiated] [Enabled]	Enables power on of the system via LAN. Note that configuring Wake on LAN in the operating system does not change the value of this setting, but does override the behavior of Wake on LAN in OS controlled power states.
---------------------------	--------------------------------	---

++: Select Screen
↑↓: Select Item
Enter: Select
+/-: Change Opt.
F1: General Help
F8: Previous Values
F9: Optimized Defaults
F10: Save & Exit
ESC: Exit

Version 2.21.1279 Copyright (C) 2021 AMI

Aptio Setup - AMI

Advanced

Create new VLAN VLAN ID Priority Add VLAN	<input type="text" value="0"/> 0	VLAN ID of new VLAN or existing VLAN, valid value is 0*4094
--	-------------------------------------	---

Configured VLAN List
Remove VLAN

++: Select Screen
↑↓: Select Item
Enter: Select
+/-: Change Opt.
F1: General Help
F8: Previous Values
F9: Optimized Defaults
F10: Save & Exit
ESC: Exit

Version 2.21.1279 Copyright (C) 2021 AMI

Parameter	Description
Enter Configuration Menu	<p data-bbox="338 145 668 164">Press [Enter] to configure advanced items.</p> <ul style="list-style-type: none"> <li data-bbox="338 174 517 192">◆ Create new VLAN <li data-bbox="338 202 934 312">◆ VLAN ID <ul style="list-style-type: none"> <li data-bbox="373 232 802 250">– Sets VLAN ID for a new VLAN or an existing VLAN. <li data-bbox="373 260 934 312">– Press the <+> / <-> keys to increase or decrease the desired values. The valid range is from 0 to 4094. <li data-bbox="338 321 934 431">◆ Priority <ul style="list-style-type: none"> <li data-bbox="373 351 850 370">– Sets 802.1Q Priority for a new VLAN or an existing VLAN. <li data-bbox="373 379 934 431">– Press the <+> / <-> keys to increase or decrease the desired values. The valid range is from 0 to 7. <li data-bbox="338 440 900 487">◆ Add VLAN <ul style="list-style-type: none"> <li data-bbox="373 468 900 487">– Press [Enter] to create a new VLAN or update an existing VLAN. <li data-bbox="338 497 884 575">◆ Configured VLAN List <ul style="list-style-type: none"> <li data-bbox="373 526 602 545">– Enable/Disable the VLAN. <li data-bbox="373 555 884 575">– Options available: Enable/Disable. Default setting is Disabled. <li data-bbox="338 584 727 631">◆ Remove VLAN <ul style="list-style-type: none"> <li data-bbox="373 613 727 631">– Press [Enter] to remove an existing VLAN.

(Note) Only Supported when **Configured VLAN List** is set to **Enabled**.

5-2-18 MAC IPv4 Network Configuration



Parameter	Description
Configured	Indicates whether network address is configured successfully or not. Options available: Disabled/Enabled. Default setting is Disabled .
Enable DHCP ^(Note)	Options available: Enabled/Disabled. Default setting is Enabled .
Local IP Address ^(Note)	Press [Enter] to configure local IP address.
Local NetMask ^(Note)	Press [Enter] to configure local NetMask.
Local Gateway ^(Note)	Press [Enter] to configure local Gateway
Local DNS Servers ^(Note)	Press [Enter] to configure local DNS servers
Save Changes and Exit	Press [Enter] and then choose to save or discard the changes made.

(Note) This item will appear on the screen when **Configured** is set to **Enabled**.

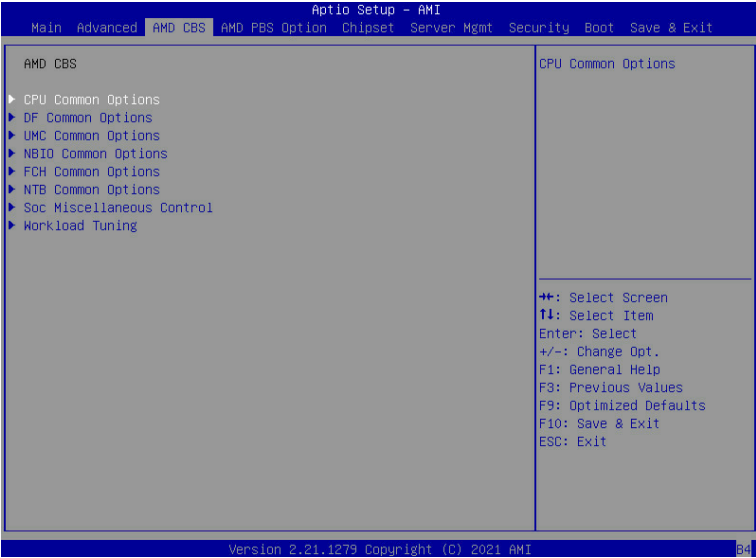
5-2-19 MAC IPv6 Network Configuration



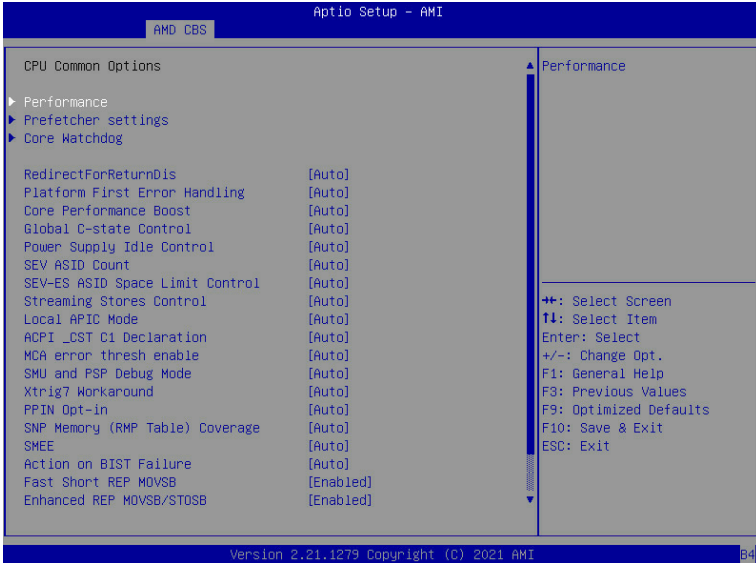
Parameter	Description
Enter Configuration Menu	<p>Press [Enter] for configuration of advanced items.</p> <ul style="list-style-type: none"> ◆ Interface Name ◆ Interface Type ◆ MAC address ◆ Host address ◆ Route Table ◆ Gateway addresses ◆ DNS addresses ◆ Interface ID <ul style="list-style-type: none"> – The 64-bit alternative interface ID for the device. The string is colon separated e.g. ff:dd:88:66:cc:1:2:3. ◆ DAD Transmit Count <ul style="list-style-type: none"> – The number of consecutive Neighbor Solicitation messages sent while performing Duplicate Address Detection on a tentative address. A value of zero indicates that Duplicate Address Detection is not performed. ◆ Policy ◆ Save Changes and Exit

5-3 AMD CBS Menu

AMD CBS menu displays submenu options for configuring the CPU-related information that the BIOS automatically sets. Select a submenu item, then press [Enter] to access the related submenu screen.



5-3-1 CPU Common Options

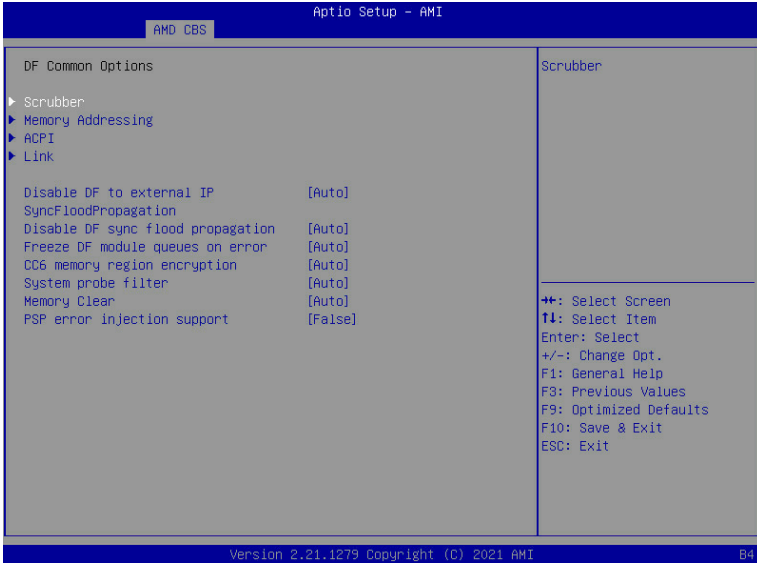


Parameter	Description
Valhalla Common Options	
Performance	<p>Press [Enter] for more options.</p> <ul style="list-style-type: none"> ◆ Custom Core Pstates <ul style="list-style-type: none"> – Allows you to accept or decline custom core pstates. When accepted you can disable or customize ceratin pstates. ◆ CCD/Core/Thread Enablement <ul style="list-style-type: none"> – Allows you to accept or decline enabling CCDs, processor cores and threads. When accepted you can control the number of CCDs to be used, the number of cores to be used, and whether to enable or disable symmetric multithreading.
Prefetcher settings	<p>Press [Enter] for more options.</p> <ul style="list-style-type: none"> ◆ L1 Stream HW Prefetcher <ul style="list-style-type: none"> – Option to enable or disable L1 Stream HW Prefetcher – Options available: Disable/Enable/Auto. Default option is Auto. ◆ L2 Stream HW Prefetcher <ul style="list-style-type: none"> – Option to enable or disable L2 Stream HW Prefetcher – Options available: Disable/Enable/Auto. Default option is Auto.
Core Watchdog	<p>Press [Enter] for more options.</p> <ul style="list-style-type: none"> ◆ Core Watchdog Timer Enable <ul style="list-style-type: none"> – Enable or disable CPU watchdog timer. – Options available: Disable/Enable/Auto. Default option is Auto.

Parameter	Description
RedirectForReturnDis	From a workaround for GCC/C000005 issue for XV Core on CZ A0, setting MSRC001_1029 Decode Configuration (DE_CFG) bit 14 [DecfgNoRdrctForReturns] to 1. Options available: Auto/1/0. Default option is Auto .
Platform First Error Warning	Enable/Disable PFEH, cloak individual banks, and mask deferred error interrupts from each bank. Options available: Enabled/Disabled/Auto. Default option is Enabled .
Core Performance Boost	Allows you to disable CPB. Options available: Disabled/Auto. Default option is Auto .
Global C-State Control	Controls the IO based C-state generation and DF C-states. Options available: Disabled/Enabled/Auto. Default option is Auto .
Power Supply Idle Control	Configures the power supply idle control. Options available: Low Current Idle/Typical current Idle/Auto. Default option is Auto .
Opcache Control	Enables or disables the Opcache. Options available: Disabled/Enabled/Auto. Default option is Auto .
SEV ASID Count	This field specifies the max. valid ASID, which affects the maximum system physical address space. 16TB of physical address space is available for systems that support 253 ASIDs, while 8TB of physical address space is available for systems that support 509 ASIDs. Options available: 253 ASIDs/509 ASIDs/Auto. Default option is Auto .
SEV-ES ASID Space Limit Control	Space limit control for SEV-ES ASIDs. Options available: Auto/Manual. Default option is Auto .
Streaming Stores Control	Enables or disables the streaming stores functionality. Options available: Disabled/Enabled/Auto. Default option is Auto .
Local APIC Mode	Sets the Local APIC mode. Options available: xAPIC/x2APIC/Auto. Default option is Auto .
ACPI_CST C1 Decaration	Determines whether or not to declare the C1 state to the OS. Options available: Disabled/Enabled/Auto. Default option is Auto .
MCA error thresh enable	Enable MCA error thresholding. Options available: False/True/Auto. Default option is Auto .
SMU and PSP Debug Mode	When this option is enabled, specific uncorrected errors detected by the PSP FW or SMU FW will hand and not reset the system. Options available: Disabled/Enabled/Auto. Default option is Auto .

Parameter	Description
Xtrig7 Workaround	By default (Auto) the bronze workaround is applied. Bronze workaround: DbReq and PDM function as expected, breakpoint redirect capability compromised. Silver workaround: DbReq, PDM, and breakpoint redirect function as expected, SCAN capability compromised. Options available: Auto/No Workaround/Bronze Workaround/Silver Workaround. Default option is Auto .
PPIN Opt-in	Turns on PPIN feature. Options available: Disabled/Enabled/Auto. Default option is Auto .

5-3-2 DF Common Options



Parameter	Description
Scrubber	<p>Press [Enter] for configuration of advanced items.</p> <ul style="list-style-type: none"> ◆ DRAM scrub time <ul style="list-style-type: none"> - Provides a value that is the number of hours to scrub memory. - Options available: Disabled/1 hour/4 hours/8 hours/16 hours/24 hours/48 hours/Auto. Default option is Auto. ◆ Poison scrubber control <ul style="list-style-type: none"> - Allows you to enable or disable poison scrubber control. - Options available: Disabled/Enabled/Auto. Default option is Auto. ◆ Redirect scrubber control <ul style="list-style-type: none"> - Allows you to enable or disable redirect of scrubber control. - Options available: Disabled/Enabled/Auto. Default option is Auto. ◆ Redirect scrubber limit <ul style="list-style-type: none"> - Allows you to set the redirect scrubber limit. - Options available: 2/4/8/Infinite/Auto. Default option is Auto.

Parameter	Description
Memory Addressing	<p data-bbox="362 145 610 169">Press [Enter] for more options.</p> <ul style="list-style-type: none"> <li data-bbox="362 174 953 341">◆ NUMA nodes per socket <ul style="list-style-type: none"> <li data-bbox="405 205 953 283">– Specifies the number of desired NUMA (Non-uniform Memory Access) nodes per socket. Zero will attempt to interleave the two sockets together. <li data-bbox="405 291 953 341">– Options available: NPS0/NPS1/NPS2/NPS4/Auto. Default option is Auto. <li data-bbox="362 349 953 459">◆ Memory interleaving <ul style="list-style-type: none"> <li data-bbox="405 381 953 431">– Allows for disabling memory interleaving. Note that NUMA nodes per socket will be honored regardless of this setting. <li data-bbox="405 439 953 459">– Options available: Disabled/Auto. Default option is Auto. <li data-bbox="362 467 953 635">◆ Memory interleaving size <ul style="list-style-type: none"> <li data-bbox="405 498 953 577">– Controls the memory interleaving size. The valid value are AUTO, 256 bytes, 512 bytes, 1Kbytes or 2Kbytes. This determines the starting address of the interleave (bit 8, 9, 10 or 11). <li data-bbox="405 584 953 635">– Options available: 256 Bytes/512 Bytes/1 KB/2KB/Auto. Default setting is Auto. <li data-bbox="362 642 953 810">◆ 1TB remap <ul style="list-style-type: none"> <li data-bbox="405 674 953 752">– Attempt to remap DRAM out of the space just below the 1TB boundary. The ability to remap depends on DRAM configuration, NPS, and interleaving selection, and may not always be possible. <li data-bbox="405 760 953 810">– Options available: Do not remap/Attempt to remap/Auto. Default option is Auto. <li data-bbox="362 818 953 928">◆ DRAM map inversion <ul style="list-style-type: none"> <li data-bbox="405 849 953 900">– Inverting the map will cause the highest memory channels to get assigned the lowest addresses in the system. <li data-bbox="405 907 953 928">– Options available: Disabled/Enabled/Auto. Default option is Auto.
ACPI	<p data-bbox="362 942 610 965">Press [Enter] for more options.</p> <ul style="list-style-type: none"> <li data-bbox="362 970 953 1138">◆ ACPI SRAT L3 Cache as NUMA Domain <ul style="list-style-type: none"> <li data-bbox="405 1001 953 1052">– Enabled: Each CCX in the system will be declared as a separate NUMA domain. <li data-bbox="405 1059 953 1110">– Disabled: Memory Addressing \ NUMA nodes per socket will be declared. <li data-bbox="405 1117 953 1138">– Options available: Disable/Enable/Auto. Default option is Auto. <li data-bbox="362 1146 953 1224">◆ ACPI SLIT Distance Control <ul style="list-style-type: none"> <li data-bbox="405 1177 953 1197">– Determines how the SLIT distances are declared. <li data-bbox="405 1205 953 1224">– Options available: Manual/Auto. Default option is Auto. <li data-bbox="362 1232 953 1342">◆ ACPI SLIT remote relative distance <ul style="list-style-type: none"> <li data-bbox="405 1263 953 1313">– Set the remote socket distance for 2P systems as near (2.8) or far (3.2). <li data-bbox="405 1321 953 1342">– Options available: Near/Far/Auto. Default option is Auto.

Parameter	Description
Link	<p>Press [Enter] for more options.</p> <ul style="list-style-type: none"> ◆ GMI encryption control <ul style="list-style-type: none"> – Control GMI link encryption. – Options available: Disable/Enable/Auto. Default option is Auto. ◆ xGMI encryption control <ul style="list-style-type: none"> – Control xGMI link encryption. Options available: Disable/Enable/Auto. Default option is Auto. ◆ CAKE CRC perf bounds control <ul style="list-style-type: none"> – Control CAKE CRC perf bounds – Options available: Auto/Manual. Default option is Auto. ◆ 4-link xGMI max speed <ul style="list-style-type: none"> – Set 4-link xGMI max speed. – Options available: 10.667Gbps/13Gbps/16Gbps/18Gbps/Auto. Default option is Auto. ◆ 3-link xGMI max speed <ul style="list-style-type: none"> – Set 3-link xGMI max speed. – Options available: 10.667Gbps/13Gbps/16Gbps/18Gbps/Auto. Default option is Auto. ◆ xGMI TXEQ Mode <ul style="list-style-type: none"> – Select XGMI TXEQ/RX vetting Mode. – Options available: TXEQ_Disabled/TXEQ_LAne/TXEQ_Link/TXEQ_RX_Vet/Auto. Default option is Auto.
Disable DF to external IP Sync Flood Propagation	<p>Disable SyncFlood to UMC & downstream slaves. Options available: Sync flood disabled/Sync flood enabled/Auto. Default option is Auto.</p>
Disable DF sync flood propagation	<p>Enable/Disable DF SyncFlood. Options available: Sync flood disabled/Sync flood enabled/Auto. Default option is Auto.</p>
Freeze DF module queues on error	<p>Controls DF PIE Config. Disabling this options sets DF:PIEConfig. Options available: Disable/Enable/Auto. Default option is Auto.</p>
CC6 memory region encryption	<p>Control whether or not the CC6 save/restore memory is encrypted. Options available: Disable/Enable/Auto. Default option is Auto.</p>
System probe filter	<p>Controls whether or not the probe filter is enabled. Has no effect on parts where the probe filter is fuse disabled. Options available: Disable/Enable/Auto. Default option is Auto.</p>
Memory Clear	<p>When this feature is disabled, BIOS does not implement MemClear after memory training (only if non-ECC DIMMs are used). Options available: Disable/Enable/Auto. Default option is Auto.</p>
PSP error injection support	<p>Select True to enable error injection. Options available: False/True. Default option is False.</p>

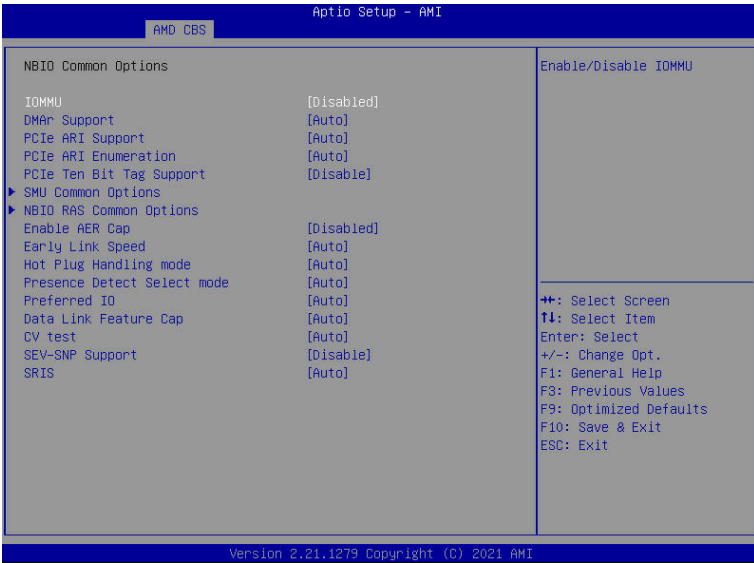
5-3-3 UMC Common Options



Parameter	Description
DDR4 Common Options	<p>Press [Enter] for more options.</p> <ul style="list-style-type: none"> ◆ Enforce POR <ul style="list-style-type: none"> – Press [Enter] to configure the enforcement of Plan Of Record (POR) which enables enforcement of POR restrictions for DDR4 frequency and voltage programming. ◆ DRAM Controller Configuration <ul style="list-style-type: none"> – Press [Enter] to configure DRAM controller options. ◆ CAD Bus Configuration <ul style="list-style-type: none"> – Press [Enter] to configure CAD Bus options. ◆ Data Bus configuration <ul style="list-style-type: none"> – Press [Enter] to configure Data Bus options. ◆ Common RAS <ul style="list-style-type: none"> – Press [Enter] to configure Common RAS options. ◆ Security <ul style="list-style-type: none"> – Press [Enter] to configure UMC security options.

Parameter	Description
DRAM Memory Mapping	<p>Press [Enter] for more options</p> <ul style="list-style-type: none"> ◆ Chipselect Interleaving <ul style="list-style-type: none"> – Interleave memory blocks across the DRAM chip selects for node 0 – Options available: Disabled/Auto. Default option is Auto. ◆ BankGroupSwap <ul style="list-style-type: none"> – Configures the BankGroupSwap. BankGroupSwap (BGS) is a memory mapping option in AGESA that alters how applications get assigned to physical locations within the memory modules. When this option sets to Auto, it is null. – Options available: Enabled/Disabled/Auto. Default option is Auto. ◆ BankGroupSwapAlt <ul style="list-style-type: none"> – Configures the BankGroupSwapAlt. – Options available: Enabled/Disabled/Auto. Default option is Auto. ◆ Address Hash Bank <ul style="list-style-type: none"> – Enable or disable bank address hashing. – Options available: Disabled/Enabled/Auto. Default option is Auto. ◆ Address Hash CS <ul style="list-style-type: none"> – Enable or disable CS address hashing. – Options available: Auto/Enabled/Disabled. Default option is Auto. ◆ Address Hash Rm <ul style="list-style-type: none"> – Enable or disable RM address hashing. – Options available: Auto/Enabled/Disabled. Default option is Auto. ◆ SPD Read Optimization <ul style="list-style-type: none"> – Enable or disable SPD Read Optimization. Enabled = SPD reads are skipped for Reserved fields and most of upper 256 Bytes, Disabled = read all 512 SPD Bytes. – Options available: Auto/Enabled/Disabled. Default option is Auto.
NVDIMM	<p>Press [Enter] for more options.</p>
Memory MBIST	<p>Press [Enter] for more options</p> <ul style="list-style-type: none"> ◆ MBIST Enable <ul style="list-style-type: none"> – Enable or disable Memory MBIST. – Options available: Disabled/Enabled. Default option is Disabled. ◆ Data Eye <ul style="list-style-type: none"> – Press [Enter] for more options.

5-3-4 NBIO Common Options



Parameter	Description
NBIO Common Options	
IOMMU	Enable/Disable IOMMU. Options available: Enabled/Disabled. Default setting is Disabled .
ACS Enable	AER must be enabled for ACS enable to work. Options available: Enable/Disabled/Auto. Default option is Auto .
PCIe ARI Support	Enables Alternative Routing ID Interpretation. Options available: Disable/Enable/Auto. Default option is Auto .
PCIe Ten Bit Tag Support	Enables PCIe ten bit tags for supported devices. Auto = Disabled Options available: Disable/Enable/Auto. Default option is Auto .
HD Audio Enable	Enables or disables HD Audio. Options available: Enable/Disabled/Auto. Default option is Auto .

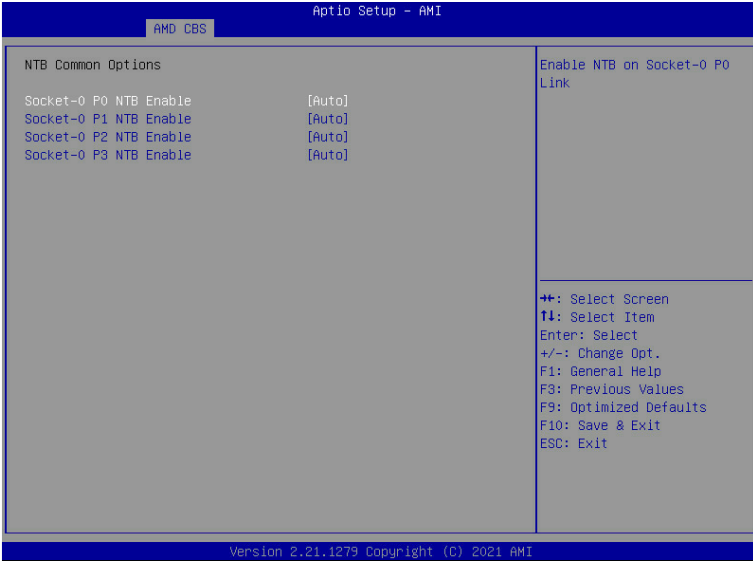
Parameter	Description
SMU Common Options	<p>Press [Enter] for more options.</p> <ul style="list-style-type: none"> ◆ Determinism Control <ul style="list-style-type: none"> – Auto = Use the fused determinism, Manual = User can set customized determinism. – Options available: Manual/Auto. Default option is Manual. ◆ cTDP Control <ul style="list-style-type: none"> – Auto = Use the fused TDP, Manual = User can set customized TDP. TDP is used to define the RC thermal model only. – Options available: Manual/Auto. Default option is Manual. ◆ Fan Control <ul style="list-style-type: none"> – Press [Enter] to configure the fan control table. ◆ CLD0_VDDP Control <ul style="list-style-type: none"> – Manual = User can set customized CLD0_VDDP voltage. – Options available: Auto/Manual. Default option is Auto. ◆ EfficiencyModeEn <ul style="list-style-type: none"> – 0 = use performance optimized CCLK DPM settings, 1 = use power efficiency optimized CCLK DPM settings. – Options available: Auto/Enabled. Default option is Auto. ◆ Package Power Limit Control <ul style="list-style-type: none"> – Auto = Use the fused PPT, Manual = User can set PPT. PPT will be used as the ASIC power limit. – Options available: Manual/Auto. Default option is Manual. ◆ xGMI Link Width Control <ul style="list-style-type: none"> – Auto = Use degault xGMI link width controller, Manual = User can set custom xGMI link width controller settings. – Options available: Manual/Auto. Default option is Auto. ◆ APBDIS <ul style="list-style-type: none"> – 0 = not APBDIS (mission mode), 1 = APBDIS. – Options available: 0/1/Auto. Default option is Auto. ◆ DF Cstates <ul style="list-style-type: none"> – Enable or disable DF C-states. – Options available: Disabled/Enabled/Auto. Default option is Auto. ◆ CPPC <ul style="list-style-type: none"> – Enable or disable CPPC. – Options available: Disabled/Enabled/Auto. Default option is Auto. ◆ BoostFmaxEn <ul style="list-style-type: none"> – Auto = Use degault Fmax, Manual = User can set boost Fmax. – Options available: Manual/Auto. Default option is Auto.

Parameter	Description
NBIO RAS Common Options	<p data-bbox="370 147 607 166">Press [Enter] for more options.</p> <ul style="list-style-type: none"> <li data-bbox="370 174 859 224">◆ NBIO RAS Global Control <ul style="list-style-type: none"> <li data-bbox="405 205 859 224">– Options available: Manual/Auto. Default option is Auto. <li data-bbox="370 232 934 313">◆ NBIO RAS Control <ul style="list-style-type: none"> <li data-bbox="405 260 708 279">– 0 = Disabled, 1 = MCA, 2 = Legacy. <li data-bbox="405 291 934 310">– Options available: Disabled/MCA/Legacy. Default option is MCA. <li data-bbox="370 321 908 402">◆ Egress Poison Severity High <ul style="list-style-type: none"> <li data-bbox="405 349 908 402">– Enter a value. Each bit set to 1 enables high severity on the associated IOHC egress port. A bit of 0 indicates low severity. <li data-bbox="370 410 908 492">◆ Egress Poison Severity Low <ul style="list-style-type: none"> <li data-bbox="405 439 908 492">– Enter a value. Each bit set to 1 enables high severity on the associated IOHC egress port. A bit of 0 indicates low severity. <li data-bbox="370 500 940 635">◆ NBIO SyncFlood Generation <ul style="list-style-type: none"> <li data-bbox="405 528 940 609">– This value may be used to mask SyncFlood caused by NBIO RAS options. When set to TRUE SyncFlood from NBIO is masked. When set to FALSE NBIO is capable of generating SyncFlood. <li data-bbox="405 617 940 636">– Options available: Enabled/Disabled/Auto. Default option is Auto. <li data-bbox="370 642 934 777">◆ NBIO SyncFlood Reporting <ul style="list-style-type: none"> <li data-bbox="405 671 934 752">– This value may be used to enable SyncFlood reporting to APLM. When set to TRUE SyncFlood will be reported to APLM. When set to FALSE that reporting will be disabled. <li data-bbox="405 760 934 779">– Options available: Enabled/Disabled. Default option is Disabled. <li data-bbox="370 785 929 929">◆ Egress Poison Mask High <ul style="list-style-type: none"> <li data-bbox="405 813 929 929">– Enter a value. These set the enable mask for masking of errors logged in EGRESS_POISON_STATUS. For each bit set to 1, errors are masked. For each bit set to 0, errors trigger response actions. <li data-bbox="370 937 929 1081">◆ Egress Poison Mask Low <ul style="list-style-type: none"> <li data-bbox="405 965 929 1081">– Enter a value. These set the enable mask for masking of errors logged in EGRESS_POISON_STATUS. For each bit set to 1, errors are masked. For each bit set to 0, errors trigger response actions. <li data-bbox="370 1089 934 1249">◆ Uncorrected Converted to Poison Enable Mask High <ul style="list-style-type: none"> <li data-bbox="405 1117 934 1249">– Enter a value. These set the enable mask for masking of uncorrectable parity errors on internal arrays. For each bit set to 1, a system fatal error event is triggered for UCP errors on arrays associated with that egress port. For each bit set to 0, errors are masked. <li data-bbox="370 1257 934 1417">◆ Uncorrected Converted to Poison Enable Mask Low <ul style="list-style-type: none"> <li data-bbox="405 1285 934 1417">– Enter a value. These set the enable mask for masking of uncorrectable parity errors on internal arrays. For each bit set to 1, a system fatal error event is triggered for UCP errors on arrays associated with that egress port. For each bit set to 0, errors are masked.

Parameter	Description
NBIO RAS Common Options (continued)	<ul style="list-style-type: none"> ◆ System Hub Watchdog Timer <ul style="list-style-type: none"> – Enter a value. This value specifies the timer interval of the SYSHUB watchdog timer in milliseconds. ◆ SLINK Read Response OK <ul style="list-style-type: none"> – This value specifies whether SLINK read response errors are converted to an Okay response. When this value is set to TRUE, read response errors are converted to Okay responses with data of all FFs. When set to FALSE read response errors are not converted. – Options available: Enabled/Disabled. Default option is Disabled. ◆ SLINK Read Response Error Handling <ul style="list-style-type: none"> – This value specifies whether SLINK write response errors are converted to an Okay response. When this value is set to 0, write response errors will be logged in the MCA. When set to 1, write response errors will trigger an MCOMMIT error. When this value is set to 2, write response errors are converted to Okay responses. – Options available: Enabled/Trigger MCOMMIT Error/Log Errors in MCA. Default option is Log Errors in MCA.
	<ul style="list-style-type: none"> ◆ Log Poison Data from SLINK <ul style="list-style-type: none"> – This value specifies whether poison data propagated from SLINK will generate a deferred error. When this value is set to TRUE, deferred errors are enabled. When set to FALSE, errors are not generated. – Options available: Enabled/Disabled. Default option is Disabled.
	<ul style="list-style-type: none"> ◆ PCIe Aer Reporting Mechanism <ul style="list-style-type: none"> – This value selects the method of reporting AER errors from PCI Express. A value of 0 indicates that the hardware will report the error through MCA. A value of 1 allows OS First handling of the errors through generation of a system control interrupt (SCI). A value of 2 provides for Firmware First handling of errors through generation of a system management interrupt (SMI). – Options available: OS First/MCA/Auto. Default option is Auto.
	<ul style="list-style-type: none"> ◆ Edpc Control <ul style="list-style-type: none"> – (0) Disabled; (1) Enabled; (3) Auto. – Options available: Disabled/Enabled/Auto. Default option is Disabled.
	<ul style="list-style-type: none"> ◆ NBIO Poison Consumption <ul style="list-style-type: none"> – Options available: Auto/Enabled/Disabled. Default option is Auto.

Parameter	Description
NBIO RAS Common Options (continued)	<ul style="list-style-type: none"> ◆ Sync Flood on PCIe Fatal Error <ul style="list-style-type: none"> – When 'Sync Flood on PCIe Fatal Error' is True, PcdAmdPcieSyncFloodOnFatal should be set to True. When 'Sync Flood on PCIe Fatal Error' is False, PcdAmdPcieSyncFloodOnFatal should be set to False. When 'Sync Flood on PCIe Fatal Error' is Auto, PcdAmdPcieSyncFloodOnFatal should retain its AGESA default. – Options available: Auto/True/False. Default option is Auto.
Enable AER Cap	Enables Advanced Error Reporting Capability. Options available: Enable/Disabled/Auto. Default option is Auto .
Early Link Speed	Sets Early Link Speed. Options available: Auto/Gen1/Gen2. Default option is Auto .
Hot Plug Handling mode	Controls the Hot Plug Handling mode. Options available: A0 Mode/OS First (No Error Handling)/OS First (Error Handling - Not Implementd/Firmware First (Not Implemented)/Auto. Default option is Auto .
Presence Detect Select mode	Controls the Presence Detect Select mode. Options available: OR/And/Auto. Default option is Auto .
Preferred IO Device	Enter a value for the preferred IO device. [23:16] Bus Number [15:8] Dev Number [7:0] Fun Number

5-3-5 FCH Common Options

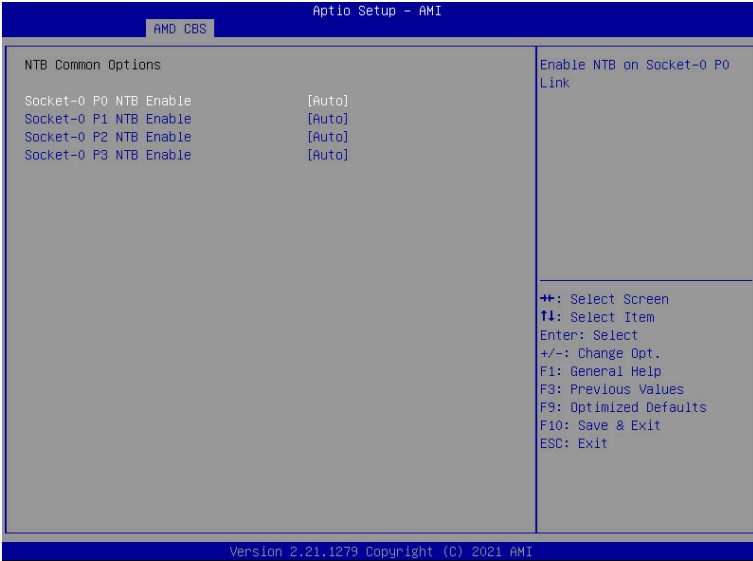


Parameter	Description
FCH Common Options	
SATA Configuration Options	<ul style="list-style-type: none"> ◆ SATA Enable <ul style="list-style-type: none"> – Enable or disable OnChip SATA controller. – Options available: Disabled/Enabled/Auto. Default setting is Auto. ◆ SATA RAS Support <ul style="list-style-type: none"> – Enable or disable SATA RAS support. – Options available: Disabled/Enabled/Auto. Default setting is Auto. ◆ Sata Disabled AHCI Prefetch Function <ul style="list-style-type: none"> – Enable or disable Sata Disabled AHCI Prefetch Function. – Options available: Disabled/Enabled/Auto. Default setting is Auto. ◆ Aggressive SATA Device Sleep Port 0 <ul style="list-style-type: none"> – Options available: Disabled/Enabled/Auto. Default setting is Auto. ◆ Aggressive SATA Device Sleep Port 1 <ul style="list-style-type: none"> – Options available: Disabled/Enabled/Auto. Default setting is Auto.

Parameter	Description
USB Configuration Options	<p>Press [Enter] for more options.</p> <ul style="list-style-type: none"> ◆ XHCI Controller0 Enable <ul style="list-style-type: none"> – Enable or disable USB3 controller. – Options available: Enabled/Disabled/Auto. Default setting is Auto. ◆ XHCI Controller1 Enable <ul style="list-style-type: none"> – Enable or disable USB3 controller. – Options available: Enabled/Disabled/Auto. Default setting is Auto. ◆ USB ecc SMI Enable <ul style="list-style-type: none"> – Options available: Enabled/Off/Auto. Default setting is Auto. ◆ MCM USB enable <ul style="list-style-type: none"> – Press [Enter] for advanced configurations.
SD Dump Options	<p>Press [Enter] for more options.</p> <ul style="list-style-type: none"> ◆ SD Configuration Mode <ul style="list-style-type: none"> – Select SD Mode. – Options available: SD Dump disabled/SD Dump Enabled. Default setting is SD Dump disabled.
AC Power Loss Options	<p>Press [Enter] for more options.</p> <ul style="list-style-type: none"> ◆ AC Loss Control <ul style="list-style-type: none"> – Select AC Loss Control Method. – Options available: Power Off/Power On/Last State. Default setting is Last State.
I2C Configuration Options	<p>Press [Enter] for more options.</p> <ul style="list-style-type: none"> ◆ I2C 0/1/2/3/4/5 Enable <ul style="list-style-type: none"> – Enable or disable I2C 0/1/2/3/4/5. – Options available: Disabled/Enabled/Auto. Default setting is Auto.
Uart Configuration Options	<p>Press [Enter] for more options.</p> <ul style="list-style-type: none"> ◆ Uart 0 Enable <ul style="list-style-type: none"> – Uart 0 has no HW FC if Uart 2 is enabled. – Options available: Disabled/Enabled/Auto. Default setting is Auto. ◆ Uart 1 Enable <ul style="list-style-type: none"> – Uart 1 has no HW FC if Uart 3 is enabled. – Options available: Disabled/Enabled/Auto. Default setting is Auto. ◆ Uart 2 Enable (no HW FC) <ul style="list-style-type: none"> – Options available: Disabled/Enabled/Auto. Default setting is Auto. ◆ Uart 3 Enable (no HW FC) <ul style="list-style-type: none"> – Options available: Disabled/Enabled/Auto. Default setting is Auto.
ESPI Configuration Options	<p>Press [Enter] for more options.</p> <ul style="list-style-type: none"> ◆ ESPI Enable <ul style="list-style-type: none"> – Options available: Disabled/Enabled/Auto. Default setting is Auto.

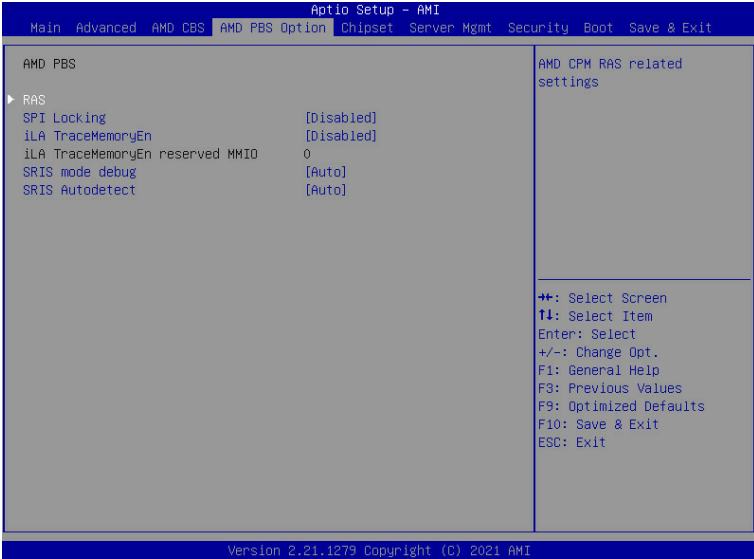
Parameter	Description
eMMC Options	<p>Press [Enter] for more options.</p> <ul style="list-style-type: none"> ◆ eMMC/SD Configure <ul style="list-style-type: none"> – Options available: Disabled/SD Normal Speed/SD High Speed/SD UHSI-SDR50/SD UHSI-DDR50/SDUHSI-SDR104/eMMC Emmc Backward Compatibility/eMMC High Speed SDR/eMMC High Speed DDR/eMMC HS200/eMMC HS400/eMMC HS300/Auto. Default setting is Auto. ◆ Driver Type <ul style="list-style-type: none"> – BIOS will select MS driver for SD selections. – Options available: AMD eMMC Driver/MS Driver/Auto. Default setting is Auto. ◆ D3 Cold Support <ul style="list-style-type: none"> – Options available: Disabled/Enabled/Auto. Default setting is Auto. ◆ eMMC Boot <ul style="list-style-type: none"> – Options available: Disabled/Enabled/Auto. Default setting is Auto.
FCH RAS Options	<p>Press [Enter] for more options.</p> <ul style="list-style-type: none"> ◆ ALink RAS Support <ul style="list-style-type: none"> – Options available: Disabled/Enabled/Auto. Default setting is Auto. ◆ Reset after sync flood <ul style="list-style-type: none"> – Enable AB to forward downstream sync-flood message to system controller. – Options available: Disabled/Enabled/Auto. Default setting is Auto.

5-3-6 NTB Common Options



Parameter	Description
NTB Common Options	
NTB Enable	Enable or disable OnChip SATA controller. Options available: Auto/Enable. Default setting is Auto .

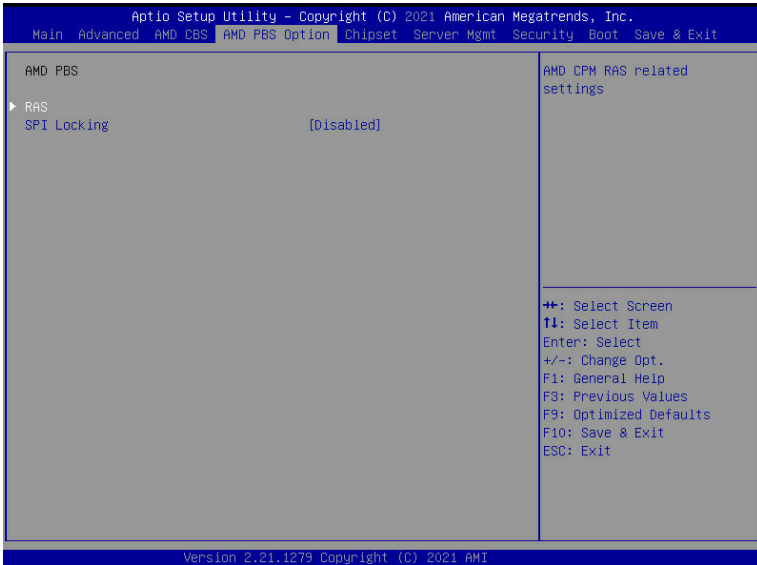
5-3-7 SOC Miscellaneous Control



Parameter	Description
Soc Miscellaneous Control	
ABL Console Out Control	Enable = Enable ConsoleOut Function for ABL Disable = Disable ConsoleOut Function for ABL Auto = Keep default behavior Options available: Disable/Enable/Auto. Default setting is Auto .

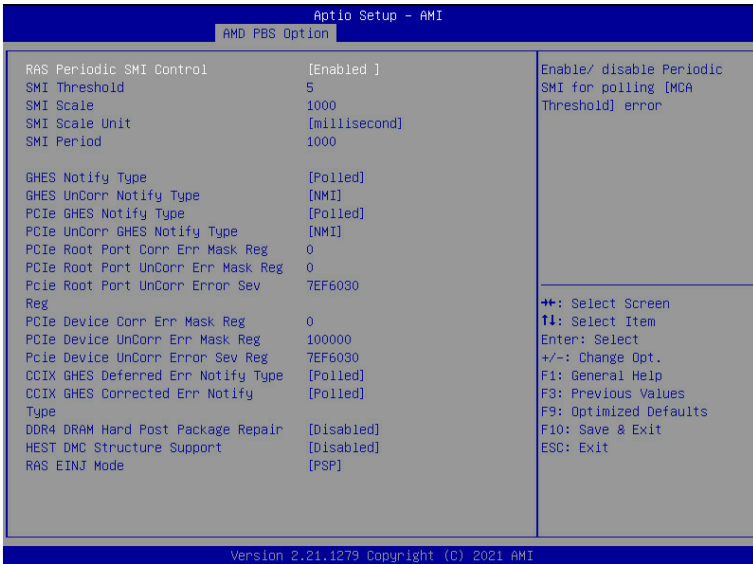
5-4 AMD PBS Option Menu

AMD PBS Option menu displays submenu options for configuring the function of AMD PBS. Select a submenu item, then press [Enter] to access the related submenu screen.



Parameter	Description
AMD PBS	
RAS	Press [Enter] for advanced configurations.
SPI Locking	Enable or disable SPI Locking for protect ROM part. Options Available: Enabled/Disabled. Default option is Disabled .

5-4-1 RAS

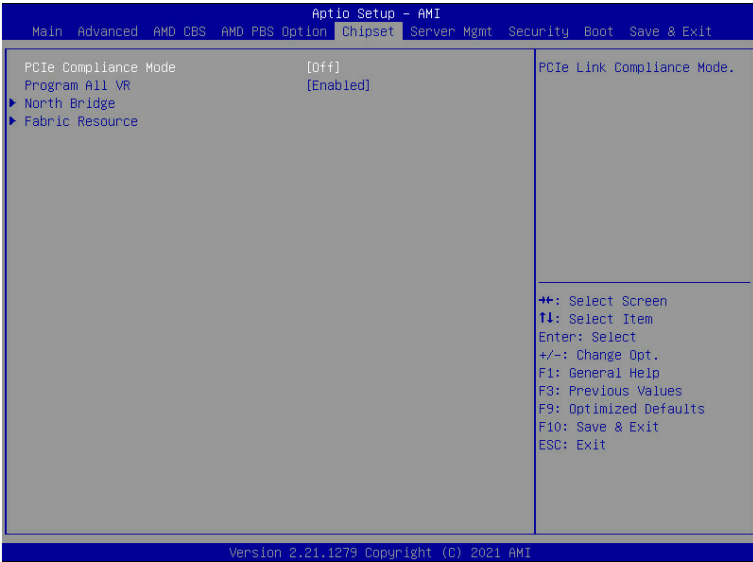


Parameter	Description
RAS Periodic SMI Control	Enable or disable Periodic SMI for polling [MCA Threshold] error. Options Available: Disabled/Enabled. Default option is Enabled .
SMI Threshold	Enter a value. Limits the number of [MCA Threshold and Deferred Error SMI source] per a unit of time (Defined by [SMI Scale]). Default value is 5 dec interrupts .
SMI Scale	Enter a value. Defines the time scale. Default value is 1000 dec .
SMI Scale Unit	Defines the unit of time scale. Options available: millisecond/second/minute. Default option is millisecond .
SMI Period	Enter a value. Defines the polling interval in milliseconds. Default option is 1000 dec . Maximum value is 32767 dec. 0 = disable.
GHEs Notify Type	Notification type for deferred/corrected errors. Options Available: Polled/SCI. Default option is Polled .
GHEs UnCorr Notify Type	Notification type for uncorrected errors. Options Available: Polled/NMI. Default option is NMI .
PCIe GHEs Notify Type	Notification type for PCIe corrected errors. Options Available: Polled/SCI. Default option is Polled .

Parameter	Description
PCIe UnCorr GHES Notify Type	Notification type for PCIe uncorrected errors. Options Available: Polled/NMI. Default option is NMI .
PCIe Root Port Corr Err Mask Reg	Enter a value. Initialize the PCIe AER Corrected Error Mask register of Root Port.
PCIe Root Port UnCorr Err Mask Reg	Enter a value. Initialize the PCIe AER Uncorrected Error Mask register of Root Port.
PCIe Root Port UnCorr Error Sev Reg	Enter a value. Initialize the PCIe AER Uncorrected Error Severity register of Root Port.
PCIe Device Corr Err Mask Reg	Enter a value. Initialize the PCIe AER Corrected Error Mask register of PCIe Device.
PCIe Device UnCorr Err Mask Reg	Enter a value. Initialize the PCIe AER Uncorrected Error Mask register of PCIe Device.
PCIe Device UnCorr Error Sev Reg	Enter a value. Initialize the PCIe AER Uncorrected Error Severity registers of PCIe Device.
CCIX GHES Deferred Err Notify Type	Notification type for CCIX deferred errors. Options Available: Polled/SCI. Default option is Polled .
CCIX GHES Corrected Err Notify Type	Notification type for CCIX corrected errors. Options Available: Polled/SCI. Default option is Polled .
DDR4 DRAM Hard Post Package Repair	This feature allows spare DRAM rows to replace malfunctioning rows via an in-field repair mechanism. Options Available: Disabled/Enabled. Default option is Disabled .
HEST DMC Structure Support	HEST DMC (Deferred Machine Check) Structure Support. Options Available: Disabled/Enabled. Default option is Disabled .

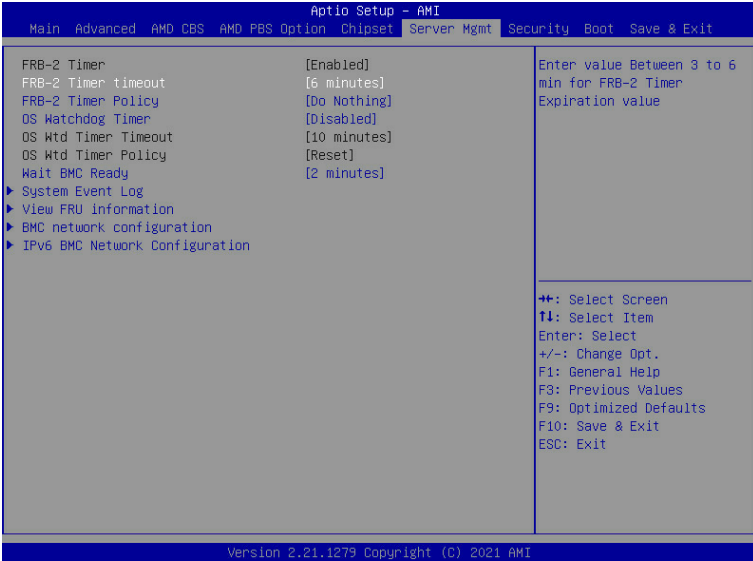
5-5 Chipset Setup Menu

Chipset Setup menu displays submenu options for configuring the function of the SoC. Select a submenu item, then press [Enter] to access the related submenu screen.



Parameter	Description
PCIe Link Training Type	PCIe Link training in 1 or 2 steps. Options available: 1 Step/2Step. Default setting is 1 Step .
PCIe Compliance Mode	Options available: On/Off. Default setting is Off .
Program All VR	Enables or disables program all VR on MB. Options available: Disabled/Enabled. Default setting is Enabled .
North Bridge	Press [Enter] for more information on the North Bridge.

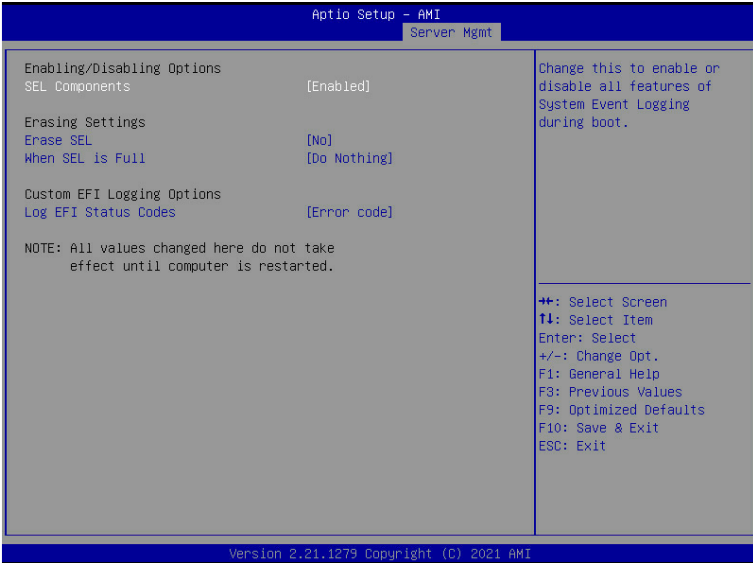
5-6 Server Management Menu



Parameter	Description
FRB-2 Timer	FRB-2 timer (POST timer).
FRB-2 Timer timeout	Configure the FRB2 Timer timeout. Options available: 3 minutes/4 minutes/5 minutes/6 minutes. Default setting is 6 minutes . (NOTE) This item is configurable when FRB-2 Timer is set to Enabled.
FRB-2 Timer Policy	Configure the FRB2 Timer policy. Options available: Do Nothing/Reset/Power Down. Default setting is Do Nothing . (NOTE) This item is configurable when FRB-2 Timer is set to Enabled.
OS Watchdog Timer	Enable/Disable OS Watchdog Timer function. Options available: Enabled/Disabled. Default setting is Disabled .
OS Wtd Timer Timeout	Configure OS Watchdog Timer. Options available: 5 minutes/10 minutes/15 minutes/20 minutes. Default setting is 10 minutes . (NOTE) This item is configurable when OS Watchdog Timer is set to Enabled.
OS Wtd Timer Policy	Configure OS Watchdog Timer Policy. Options available: Reset/Do Nothing/Power Down. Default setting is Reset . (NOTE) This item is configurable when OS Watchdog Timer is set to Enabled.
Wait BMC Ready	Configure time to wait BMC ready. Options available: Disabled/2 minutes/4 minutes/6 minutes. Default setting is 2 minutes .
System Event Log	Press [Enter] to configure advanced items.

Parameter	Description
View FRU Information	Press [Enter] to view the advanced items.
BMC network configuration	Press [Enter] to configure advanced items.
IPv6 BMC Network Configuration	Press [Enter] to configure advanced items.

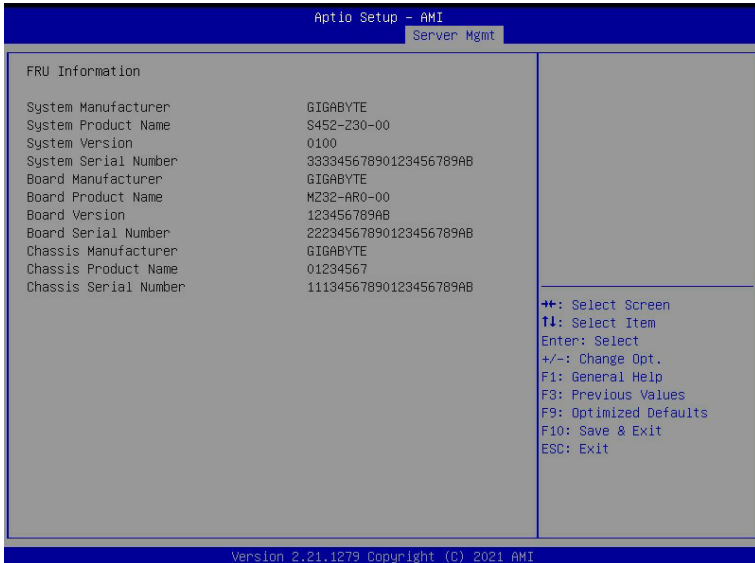
5-6-1 System Event Log



Parameter	Description
Enabling / Disabling Options	
SEL Components	Change this item to enable or disable all features of System Event Logging during boot. Options available: Enabled/Disabled. Default setting is Enabled .
Erasing Settings	
Erasing SEL	Choose options for erasing SEL. Options available: No/Yes, On next reset/Yes, On every reset. Default setting is No .
When SEL is Full	Choose options for reactions to a full SEL. Options available: Do Nothing/Erased Immediately. Default setting is Do Nothing .
Custom EFI Logging Options	
Log EFI Status Codes	Enable/Disable the logging of EFI Status Codes (if not already converted to legacy). Options available: Disabled/Both/Error code/Progress code. Default setting is Error code .

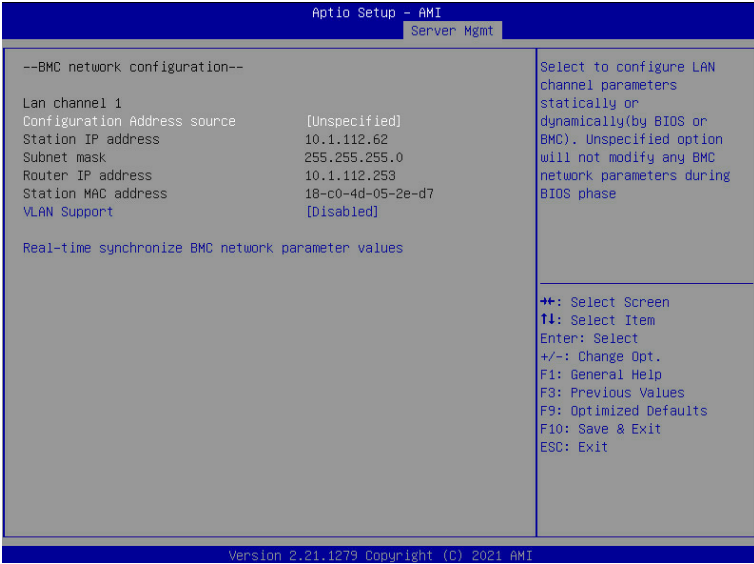
5-6-2 View FRU Information

The FRU page is a simple display page for basic system ID information, as well as System product information. Items on this window are non-configurable.



(Note) The model name will vary depends on the product you purchased.

5-6-3 BMC Network Configuration



Parameter	Description
BMC network configuration	
Lan Channel 1	
Configuration Address source	Select to configure LAN channel parameters statically or dynamically (DHCP). Do nothing option will not modify any BMC network parameters during BIOS phase. Options available: Unspecified/Static/DynamicBmcDhcp. Default setting is DynamicBmcDhcp .
Station IP address	Displays IP Address information.
Subnet mask	Displays Subnet Mask information.
Router IP address	Displays the Router IP Address information.
Station MAC address	Displays the MAC Address information.
Real-time synchronize BMC network parameter values	Press [Enter] to synchronize the BMC network parameter values.

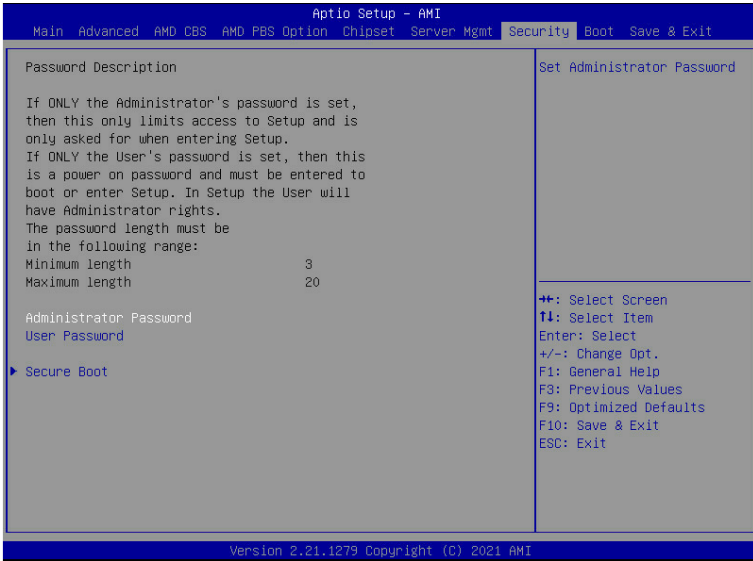
5-6-4 IPv6 BMC Network Configuration



Parameter	Description
IPv6 BMC Network Configuration	
IPv6 BMC Lan Channel 1	
IPv6 BMC Lan Option	Enable/Disable IPv6 BMC LAN channel function. When this item is disabled, the system will not modify any BMC network during BIOS phase. Options available: Unspecified/Disable/Enable. Default setting is Enable .
IPv6 BMC Lan IP Address Source	Select to configure LAN channel parameters statically or dynamically (by BIOS or BMC). Options available: Unspecified/Static/Dynamic-Obtained by BMC running DHCP. Default setting is Dynamic-Obtained by BMC running DHCP .
IPv6 BMC Lan IP Address/Prefix Length	Check if the IPv6 BMC LAN IP address matches those displayed on the screen.

5-7 Security Menu

The Security menu allows you to safeguard and protect the system from unauthorized use by setting up access passwords.



There are two types of passwords that you can set:

- Administrator Password
Entering this password will allow the user to access and change all settings in the Setup Utility.
- User Password
Entering this password will restrict a user's access to the Setup menus. To enable or disable this field, a Administrator Password must first be set. A user can only access and modify the System Time, System Date, and Set User Password fields.

Parameter	Description
Administrator Password	Press [Enter] to configure the administrator password.
User Password	Press [Enter] to configure the user password.
Secure Boot	Press [Enter] to configure advanced items.

5-7-1 Secure Boot



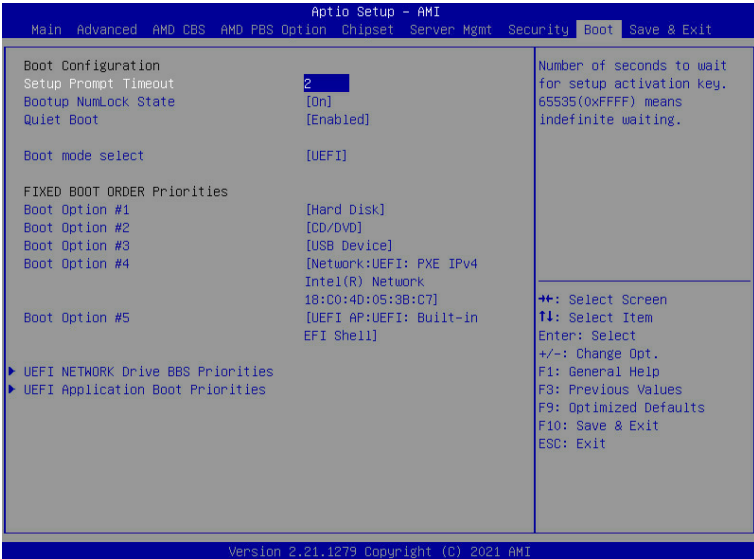
Parameter	Description
System Mode	Displays the system is in User mode or Setup mode.
Secure Boot	Enables/Disables Secure Boot. The mode change requires a platform reset. Options available: Disabled/Enabled. Default setting is Disabled .
Secure Boot Mode ^(Note)	Secure Boot requires all the applications that are running during the booting process to be pre-signed with valid digital certificates. This way, the system knows all the files being loaded before Windows loads and gets to the login screen have not been tampered with. When set to Standard, it will automatically load the Secure Boot keys from the BIOS databases. When set to Custom, you can customize the Secure Boot settings and manually load its keys from the BIOS database. Options available: Standard/Custom. Default setting is Custom .
Restore Factory Keys	Forces the system to user mode and installs factory default Secure Boot key database.
Key Management	Press [Enter] to configure advanced items. Please note that this item is configurable when Secure Boot Mode is set to Custom.

(Note) Advanced items prompt when this item is set to **Custom**.

Parameter	Description
Key Management (continued)	<ul style="list-style-type: none"> ◆ Factory Key Provision <ul style="list-style-type: none"> – Installs factory default Secure Boot keys after the platform resets and the system is in Setup Mode. – Options available: Disabled/Enabled. Default setting is Disabled. ◆ Restore Factory Keys <ul style="list-style-type: none"> – Installs factory default Secure Boot key databases. It will force the system in User Mode. – Options available: Yes/No. ◆ Enroll Efi Image <ul style="list-style-type: none"> – Press [Enter] to enroll SHA256 hash of the binary into Authorized Signature Database (db). ◆ Restore DB defaults <ul style="list-style-type: none"> – Press [Enter] to restore DB variable to factory defaults. – Options available: Yes/No. ◆ Secure Boot variable <ul style="list-style-type: none"> – Displays the current status of the variables used for secure boot. ◆ Platform Key (PK) <ul style="list-style-type: none"> – Displays the current status of the Platform Key (PK). – Press [Enter] to configure a new PK. – Options available: Set Update. ◆ Key Exchange Keys (KEK) <ul style="list-style-type: none"> – Displays the current status of the Key Exchange Key Database (KEK). – Press [Enter] to configure a new KEK or load additional KEK from storage devices. – Options available: Set Update/Append. ◆ Authorized Signatures (DB) <ul style="list-style-type: none"> – Displays the current status of the Authorized Signature Database. – Press [Enter] to configure a new DB or load additional DB from storage devices. – Options available: Set Update/Append. ◆ Forbidden Signatures (DBX) <ul style="list-style-type: none"> – Displays the current status of the Forbidden Signature Database. – Press [Enter] to configure a new dbx or load additional dbx from storage devices. – Options available: Set Update/Append. ◆ Authorized TimeStamps (DBT) <ul style="list-style-type: none"> – Displays the current status of the Authorized TimeStamps Database. – Press [Enter] to configure a new DBT or load additional DBT from storage devices. – Options available: Set Update/Append. ◆ OsRecovery Signatures <ul style="list-style-type: none"> – Displays the current status of the OsRecovery Signature Database. – Press [Enter] to configure a new OsRecovery Signature or load additional OsRecovery Signature from storage devices. – Options available: Set Update/Append.

5-8 Boot Menu

The Boot menu allows you to set the drive priority during system boot-up. BIOS setup will display an error message if the legacy drive(s) specified is not bootable.



Parameter	Description
Boot Configuration	
Setup Prompt Timeout	Number of seconds to wait for setup activation key. 65535 (0xFFFF) means indefinite waiting. Press the numeric keys to input the desired values.
Bootup NumLock State	Enable/Disable the Bootup NumLock function. Options available: On/Off. Default setting is On .
Quiet Boot	Enable/Disable showing the logo during POST. Options available: Disabled/Enabled. Default setting is Enabled .
Boot mode select	Selects the boot mode. Options available: LEGACY/UEFI. Default setting is UEFI .
FIXED BOOT ORDER Priorities	
Boot Option #1 / #2 / #3 / #4 / #5	Press [Enter] to configure the boot priority. By default, the server searches for boot devices in the following sequence: <ol style="list-style-type: none"> 1. Hard drive. 2. CD-COM/DVD drive. 3. USB device. 4. Network. 5. UEFI.

Parameter	Description
UEFI Network Drive BBS Priorities	Press [Enter] to configure the boot priority.
UEFI Application Boot Priorities	Press [Enter] to configure the boot priority.

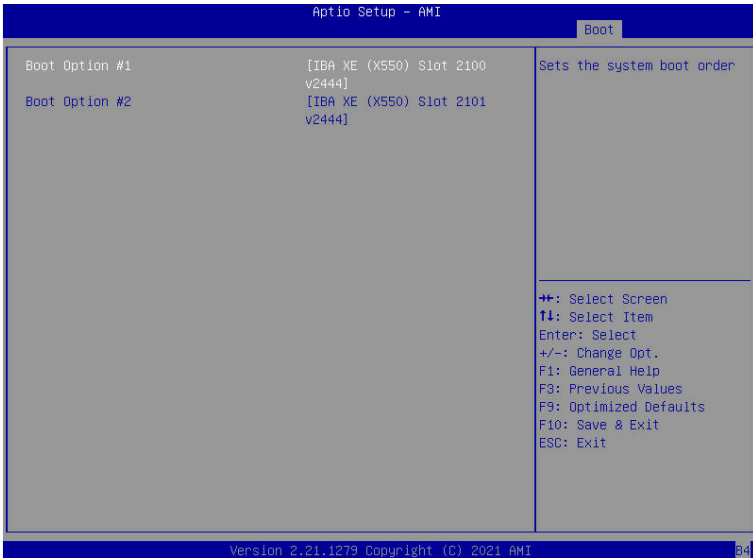
5-8-1 UEFI NETWORK Drive BBS Priorities

The UEFI network drive BBS priorities submenu allows you to specify the boot device priority from the available UEFI network drives during system boot-up. BIOS setup will display an error message if the legacy drive(s) specified is not bootable.



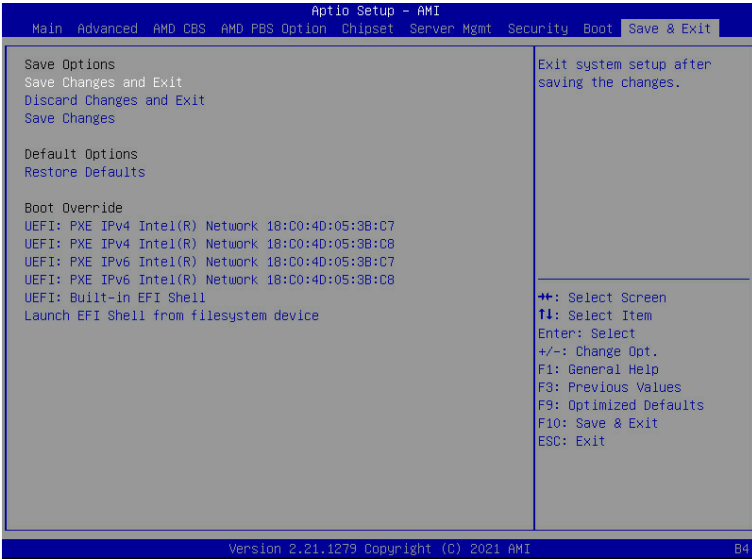
5-8-2 UEFI Application Boot Priorities

The UEFI application boot priorities submenu allows you to specify the boot device priority from the available UEFI applications during system boot-up. BIOS setup will display an error message if the legacy drive(s) specified is not bootable.



5-9 Save & Exit Menu

The Exit menu displays the various options to quit from the BIOS setup. Highlight any of the exit options then press [Enter].



Parameter	Description
Save Options	
Save Changes and Exit	Saves changes made and closes the BIOS setup. Options available: Yes/No.
Discard Changes and Exit	Discards changes made and exits the BIOS setup. Options available: Yes/No.
Save Changes	Save changes done so far to any of the setup options. Options available: Yes/No.
Default Options	
Restore Defaults	Loads the default settings for all BIOS setup parameters. Setup Defaults are quite demanding in terms of resources consumption. If you are using low-speed memory chips or other kinds of low-performance components and you choose to load these settings, the system might not function properly. Options available: Yes/No.
Boot Override	Press [Enter] to configure the device as the boot-up drive.
Launch EFI Shell from filesystem device	Attempts to Launch EFI Shell application (Shell.efi) from one of the available filesystem devices.

5-10 BIOS POST Beep code (AMI standard)

5-10-1 PEI Beep Codes

# of Beeps	Description
1	Memory not Installed.
1	Memory was installed twice (InstallPeiMemory routine in PEI Core called twice)
2	Recovery started
3	DXE IPL was not found
3	DXE Core Firmware Volume was not found
4	Recovery failed
4	S3 Resume failed
7	Reset PPI is not available

5-10-2 DXE Beep Codes

# of Beeps	Description
1	Invalid password
4	Some of the Architectural Protocols are not available
5	No Console Output Devices are found
5	No Console Input Devices are found
6	Flash update is failed
7	Reset protocol is not available
8	Platform PCI resource requirements cannot be met