

DH-SDT5X425-4Z4-FAJG-2812

4MP 25× Ordinary IR NETWORK PTZ CAMERA



- Dual PTZ system, dual vari-focal lens.
- 1/1.8" 4Megapixel CMOS.
- Powerful 25x optical zoom.
- Starlight technology.
- Max. 25/30 fps@4M.
- H.265 encoding.
- IP67.
- Illegal parking detection and checkpoint capture.



System Overview

With its high-performance GPU chip, the device uses multiple deep learning algorithms to analyze data from complex scenes, and take snapshots of vehicles that are illegally parked. It has a dual-PTZ control system. The embedded panoramic and detail cameras can be rotated horizontally and vertically. The panoramic camera also links to the detail camera to perform tour, allowing you to configure multiple presets to increase coverage.

The device can be connected to 2 channel alarm inputs and 1 channel alarm output. Voice prompts are also broadcasted when an external speaker is connected to the device, providing warnings for drivers and allowing license plate numbers to be read out loud when a vehicle is illegally parked.

Functions

Illegal Parking Capture

Empowered by deep learning algorithms, the device automatically detects and triggers alarms for illegal parking targets, and identifies vehicle attributes in designated areas. The camera supports zooming, capturing, and recognizing license plate numbers, vehicle types, vehicle colors, license plate colors and other motor vehicle attributes. The combination of long shots, close shots and detailed license plate snapshots form a complete chain of evidence on illegal behavior.

Checkpoint Capture

The panoramic camera supports the following events: ANPR, crossing solid white or yellow line, wrong-way driving, illegal lane change, vehicle queue jumping, vehicle in lane, disobeying the lane direction sign, speeding, trucks in prohibited area, driving slow, driver not wearing seatbelt, and traffic congestion.

Dual-PTZ System

Both the panorama camera and detail camera of the Dual-PTZ system can be moved horizontally and vertically.

Perimeter Protection

Automatically filters out false alarms caused by animals, rustling leaves, bright lights, etc. Enables system to act secondary recognition for the targets to improve alarm accuracy.

PFA Technology

PFA technology has introduced new methods of judgment that ensure the accuracy and predictability of the direction of subject distance adjustment. The result is a set of advanced focusing algorithms that ensure image clarity when zooming and that shorten focus time. This makes the camera highly advanced in its functions, substantially improving the quality of your experience.

SMD

Empowered by Deep-Learning Algorithms, Dahua SMD filters out motion detection alarms triggered by targets that are not a concern. It quickly recognizes humans and vehicles, triggering alarms when an intrusion occurs.

Scene

The device can be widely used in a variety of scenes, such as urban roads, elevated roads, and expressways, that require a wide monitoring range and that need to collect evidence for illegal parking.

Technical Specification

Camera

Image Sensor	Panorama: 1/1.8" CMOS Detail: 1/1.8" CMOS
Max. Resolution	2688 (H) x 1520 (V)
Effective Pixels	Panorama: 4MP Detail: 4MP
ROM	8 GB
RAM	4 GB
Electronic Shutter Speed	Panorama: 1/3 s–1/100000 s Detail: 1/1 s–1/100000 s
Scanning Mode	Progressive
Min. Illumination	Panorama: Color: 0.001 Lux@F1.6 B/W: 0.0001 Lux@F1.6 Detail: Color: 0.001 Lux@F1.6 B/W: 0.0001 Lux@F1.6 0 Lux (IR light on)
Illumination Distance	Panorama (white light): 30 m (98.43 ft) Detail (IR light): 100 m (328.08 ft)
Illuminator On/Off Control	Panorama: Zoom Prio; Manual; Auto; Off Detail: Zoom Prio; Manual; Auto; Off
Illuminator Number	Panorama: 4 white lights Detail: 4 IR lights

Lens

Focal Length	Panorama: 2.8 mm–12 mm Detail: 5.4 mm–135 mm				
Max. Aperture	Panorama: F1.3–F2.0 Detail: F1.6–F4.0				
Field of View	Panorama: H: 99.2°–45.8°; V: 59.7°–27°; D: 110.4°–51.7° Detail: H: 58°–3.5°; V: 35°–2°; D: 64°–4°				
Optical Zoom	Panorama: 4x Detail: 25x				
Focus Control	Auto/Semi-Auto/Manual				
Close Focus Distance	Panorama: 1 m–2.5 m (3.28 ft–8.20 ft) Detail: 0.5 m–7 m (1.64 ft–22.97 ft)				
Iris Control	Panorama: Auto Detail: Auto				
DORI Distance	Lens	Detect	Observe	Recognize	Identify
	Panorama	129 m (423.23 ft)	51.3 m (168.31 ft)	25.4 m (83.33 ft)	12.2 m (40.03 ft)
	Detail	1688 m (5538.06 ft)	675 m (2214.57 ft)	337 m (1105.64 ft)	168 m (551.18 ft)

PTZ

Pan/Tilt Range	Panorama: Pan: 0°–360° endless; Tilt: 0°–30° Detail: Pan: 0°–305° (the angle between two cameras: -125° to +180°); Tilt: -10°–180°
Manual Control Speed	Panorama: Pan: 0.1°/s–100°/s; Tilt: 0.1°/s–25°/s Detail: Pan: 0.1°/s–400°/s; Tilt: 0.1°/s–200°/s
Preset Speed	Panorama: Pan: 100°/s; Tilt: 50°/s Detail: Pan: 360°/s; Tilt: 200°/s

Presets	300
Tour	8 (up to 32 preset per tour)
Scan	5
Power-off Memory	Yes
Idle Motion	Preset;Tour;Scan
PTZ Protocol	DH-SD Pelco-P/D(Auto recognition)

Intelligence

Illegal Parking Capture	Capture range radius: 4 m–60 m (13.12 ft–196.85 ft) (panoramic linkage mode), 120 m (393.70 ft) (detail camera); support adaptive multi-scenario tour detection; 2–6 snapshots can be set, and the capture interval can be set between each capturing; snapshot type includes long-distance, medium-distance, close-distance, and plate feature; support vehicle type, color, logo, series, license plate, plate color and other attribute recognition; support panorama-detail linkage capture, and multi-scenario tour; supports panoramic fixed capture, while detail camera capturing illegal parking, and independent multi-scenario tour.
Checkpoint Capture	Coverage: 1–2 lanes. Monitoring range: 8 m–50 m (26.25 ft–164.04 ft); blind spot: 0 m–8 m (0 ft–26.25 ft). Supports the following events: ANPR, crossing solid white or yellow line, wrong-way driving, illegal lane change, vehicle queue jumping, vehicle in lane, disobeying the lane direction sign, speeding, trucks in prohibited area, driving slow, driver not wearing seatbelt, and traffic congestion. Supports vehicle feature and event recognition: License plate, plate color, vehicle color, vehicle type, vehicle logo, vehicle model, vehicle speed, sun visor status, face cutout, annual inspection sticker, tissue box, perfume box, pendant, smoking while driving, calling while driving, and not wearing seatbelt.
Intelligence Note	ANPR of illegally parked vehicle: Supports adaptively loading its corresponding license plate recognition algorithm according to the area selected; integrate overseas general recognition algorithms to support license plate recognition containing letters and numbers; integrate special license plate recognition algorithm in EU; integrate Singapore and Malaysia special license plate recognition algorithms; integrate special license plate recognition algorithms for UAE, Saudi Arabia, Morocco, Oman, Egypt, Iraq, and Jordan

Video

Video Compression	Smart H.265+;H.265;Smart H.264+;H.264;H.264B; H.264H;MJPEG(Sub Stream)
Streaming Capability	3 Streams
Resolution	Panorama: 4M (2688 x 1520); 4M (2560 x 1440); 1080p (1920 x 1080); 960p (1280 x 960); 720p (1280 x 720); D1 (704x 576) VGA (640 x 480); CIF (352 x 288) Detail: 4M (2688 x 1520); 4M (2560 x 1440); 1080p (1920 x 1080); 960p (1280 x 960); 720p (1280 x 720); D1 (704 x 576); VGA (640 x 480); CIF (352 x 288)
Video Frame Rate	Panoramic: Main stream: 4M/1080p/1.3M/720p (1–25/30 fps) Sub stream 1: D1/VGA/CIF (1–25/30 fps) Sub stream 2: 1080p/1.3M/720p/CIF (1–25/30 fps) Detail: Main stream: 4M/1080p/1.3M/720p (1–25/30 fps) Sub stream 1: D1/VGA/CIF (1–25/30 fps) Sub stream 2: 1080p/1.3M/720p/CIF (1–25/30 fps)
Bit Rate Control	CBR/VBR

Video Bit Rate	H.264: 512 Kbps–13056 Kbps H.265: 204 Kbps–7936 Kbps
Day/Night	Panorama: Auto (ICR) Detail: Auto (ICR)
BLC	Yes
WDR	Panoramic: 120dB Detail: 120dB
HLC	Yes
White Balance	Panorama: Auto; indoor; outdoor; tracking; manual; sodium lamp; natural light; street lamp Detail: Auto; indoor; outdoor; tracking; manual; sodium lamp; natural light; street lamp
Gain Control	Auto/Manual
Noise Reduction	2D NR; 3D NR
Motion Detection	Yes
Region of Interest (RoI)	Yes
Defog	Electronic
Digital Zoom	16x
Image Rotation	180°
S/N Ratio	Panorama: ≥ 55 dB Detail: ≥ 55 dB

Certification

Certification	CE: EN55032/EN55024/EN50130-4 FCC: Part15 subpartB,ANSI C63.4- 2014"
---------------	---

Audio

Audio Compression	PCM; G.711a; G.711Mu; G.726; AAC; MPEG2-Layer2; G722.1; G729
-------------------	--

Port

Audio In	1 channel (LINE IN, bare wire)
Audio Out	1 channel (LINE OUT, bare wire)
Alarm I/O	2/1

Network

Network Port	RJ-45 (10/100 Base-T)
Network Protocol	HTTP;HTTPS;IPv4;RTSP;UDP;SMTP;NTP;DHCP;DNS;DDN S;IPv6;802.1x;Qos;FTP;UPnP;ICMP;SNMP;SNMPv1/v2c/v3(MIB-2);IGMP;ARP;RTP;PPPoE;RTMP;TCP
Interoperability	ONVIF;CGI
Streaming Method	Unicast/Multicast
User/Host	20 (total bandwidth: 64 M)
Storage	FTP; Micro SD card (512 GB)
Browser	IE9 and later versions Chrome 41 and later versions Firefox 50 and later versions Safari 10 and later versions
Management Software	Smart PSS; DSS; NVR
Mobile Client	iOS; Android

Power

Power Supply	36 VDC/2.23 A ± 25% Hi-PoE
Power Consumption	Basic: 21 W Max.: 40 W (PTZ, zoom, focus, IR light, white light, and smart plan enabled)

Environment

Operating Temperature	-40 °C to +65 °C (-40 °F to +149 °F)
Operating Humidity	≤95% (RH)
Protection	IP67; TVS 8000 V lightning protection; surge protection; voltage transient protection

Construction

Dimensions	385 mm × Φ277 mm (15.16" × Φ10.91")
Net Weight	9 kg (19.84 lb)
Gross Weight	13.8 kg (30.42 lb)

Ordering Information

Type	Part Number	Description
SDT5X Series	DH-SDT5X425-4Z4-FAJG-2812	4MP 25 Ordinary IR NETWORK PTZ CAMERA
Accessories	DC36V/2.23A	Power Adapter
	PFB306W-S	Wall Mount Bracket
	PFA150	Pole Mount Bracket
	PFB300C-S	Ceiling Mount Bracket

Accessories

Included:



DC36V/2.23A
Power Adapter



PFB306W-S
Wall Mount Bracket

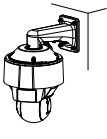
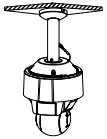
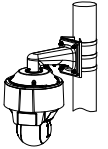
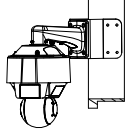
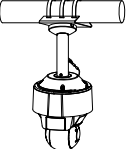
Optional:



PFA150
Pole Mount Bracket



PFB300C-S
Ceiling Mount Bracket

Wall Mount PFB300W-S 	Ceiling Mount PFB300C-S 	Pole Mount(Vertical) PFB300W-S+PFA150 
Corner Mount PFB300W-S+PFA151 	Pole Mount(Horizontal) PFB300C-S+PFA150 	

Dimensions (mm[inch])

