

D-Link

DGS-1520-52

**48 10/100/1000Base-T Ports + 2 10GBase-T Ports + 2 10GBase-X SFP+ Ports
Stackable Smart Managed Switch**

**Управляемый L3 стекируемый коммутатор с 48 портами 10/100/1000Base-T,
2 портами 10GBase-T и 2 портами 10GBase-X SFP+**



Quick Installation Guide

Краткое руководство по установке

Information in this document is subject to change without notice.
© 2021 D-Link Corporation. All rights reserved.

Package Contents

Open the shipping carton of the switch and carefully unpack its contents. The model you have purchased may appear slightly different from the one shown in the illustrations. The carton should contain the following items:

- One DGS-1520-52 switch
- One AC power cord
- One power cord retainer
- One console cable (RJ-45 to RS-232)
- One rack mounting kit (two brackets and screws)
- Four rubber feet with adhesive backing
- One Quick Installation Guide

Front Panel Description

The front panel of the switch contains the following items:

- 48 10/100/1000Base-T ports
- 2 10GBase-T ports
- 2 10GBase-X SFP+ ports
- RJ-45 console port
- LEDs: Power, Console, Fan Error, Link/Activity/Speed (per port), Stack ID
- Reset/ZTP button



Figure 1 — DGS-1520-52 front panel

Front Panel LEDs

The front panel of the switch contains the following LEDs: Power, Console, Fan Error, Link/Activity/Speed (per port), Stack ID.

Location	LED	Color	Status	Description
Per device	Power	Green	Solid	Power on.
			Blinking	Performing system self-test.
			Off	Power off.

	Console	Green	Solid	Console session is active.
			Off	Console session is inactive.
	Fan Error	Green	Solid	Normal operation (diagnostics test passed).
			Red	Fan off (due to fan runtime failure).
	Stack ID	Green	Solid 1-8	The stacking ID number of the switch in the stack.
			Solid H	The switch is the master switch in the stack.
			Solid h	The switch is the backup master switch in the stack.
			Solid e	There was an error in the system's self-test.
			Solid G	The Safeguard engine entered the exhausted mode.
	Per 10/100/1000Base-T port	Link/ Activity/ Speed	Green	Solid
Blinking				Data transmitted and received at 1000 Mbps through the port.
Off				Inactive connection or no link present.
Amber			Solid	Active connection at 10/100 Mbps through the port.
			Blinking	Data transmitted and received at 10/100 Mbps through the port.
			Off	Inactive connection or no link present.
Per 10GBase-T port	Link/ Activity/ Speed	Green	Solid	Active connection at 10 Gbps through the port.
			Blinking	Data transmitted and received at 10 Gbps through the port.
			Off	Inactive connection or no link present.
		Amber	Solid	Active connection at 1000 Mbps through the port.
			Blinking	Data transmitted and received at 1000 Mbps through the port.
			Off	Inactive connection or no link present.
Per 10GBase-X SFP+	Link/ Activity/	Green	Solid	Active connection at 10 Gbps through the port.

port	Speed		Blinking	Data transmitted and received at 10 Gbps through the port.
			Off	Inactive connection or no link present.
	Amber	Solid	Active connection at 1000 Mbps through the port.	
		Blinking	Data transmitted and received at 1000 Mbps through the port.	
		Off	Inactive connection or no link present.	

Rear Panel Description

The rear panel of the switch contains the following items:

- AC power connector (100 to 240 VAC, 50 to 60 Hz)
- Power cord retainer slot
- SWITCH GND: grounding screw for attaching the terminal lug ring of the grounding cable to the switch
- Kensington-compatible security lock slot
- MGMT port: used for connecting to a PC with standard Ethernet cable. This port provides access to the switch through Telnet or Web browser. The MGMT port can also be used to supply the switch with 90 W DC power using Power over HDBaseT. This can be used as the main power source or as the secondary power source to the switch.
- LEDs: Link/Activity, PD

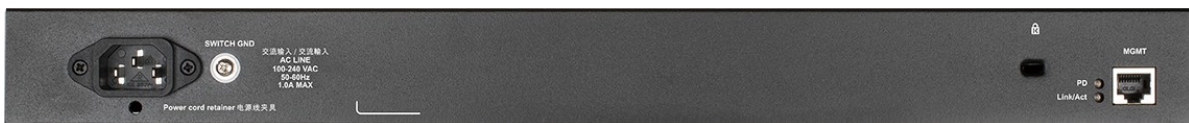


Figure 2 — DGS-1520-52 rear panel

Rear Panel LEDs

The rear panel of the switch contains the following LEDs: Link/Activity/Speed and PD.

Location	LED	Color	Status	Description
Per MGMT port	Link/Activity/ Speed	Green	Solid	Active connection at 1000 Mbps through the port.
			Blinking	Data transmitted and received at 1000 Mbps through the port.
			Off	Inactive connection or no link present.

		Amber	Solid	Active connection at 10/100 Mbps through the port.
			Blinking	Data transmitted and received at 10/100 Mbps through the port.
			Off	Inactive connection or no link present.
	PD	Green	Solid	Receiving DC power from PoH PSE connected to the MGMT port.
			Off	No PoH PSE connection is present.
		Amber	Solid	PSE is connected, but power supply failure has occurred.
			Off	No PoH PSE connection is present.

Side Panel Description

The left-hand panel of the switch has heat vents to dissipate heat. Do not block these openings, and leave at least 15 cm of space at the rear and sides of the switch for proper ventilation. Be reminded that without proper heat dissipation and air circulation, system components might overheat, which could lead to system failure. Also the left- and right-hand panels of the switch have two fans and rack-mounting screw holes.

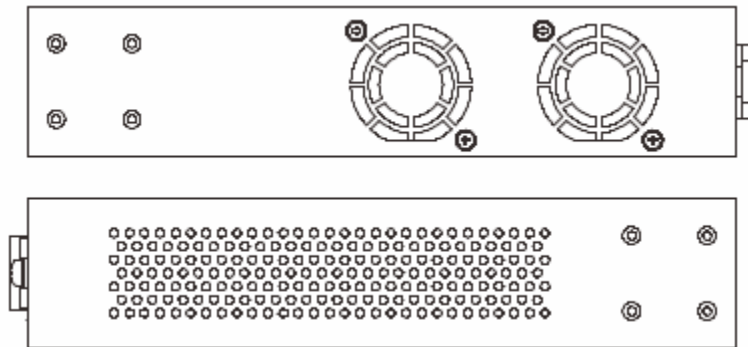


Figure 3 — DGS-1520-52 side panels

Switch Installation

This section will discuss the hardware installation guidelines that the user must follow in order to properly and safely install this switch into the appropriate environment.

- Visually inspect the power cord and see that it is fully secured to both the power connector, on the Switch, and the electrical outlet that supplies power.
- Install the Switch in a fairly cool and dry place within the acceptable operating temperature and humidity ranges.
- Install the Switch in a site free from strong electromagnetic field generators such as motors, vibration, dust, and direct exposure to sunlight.

Installing the Switch without a Rack

This section is used to guide the user through installing the switch in an area other than a switch rack. Attach the included rubber feet to the bottom of the switch. Take note that there should be marked blocks on the bottom of the switch to indicate where to attach the rubber feet. These markings are usually found in each corner on the bottom of the device. The rubber feet cushion the switch, protecting the casing from scratches and preventing it from scratching other surfaces.

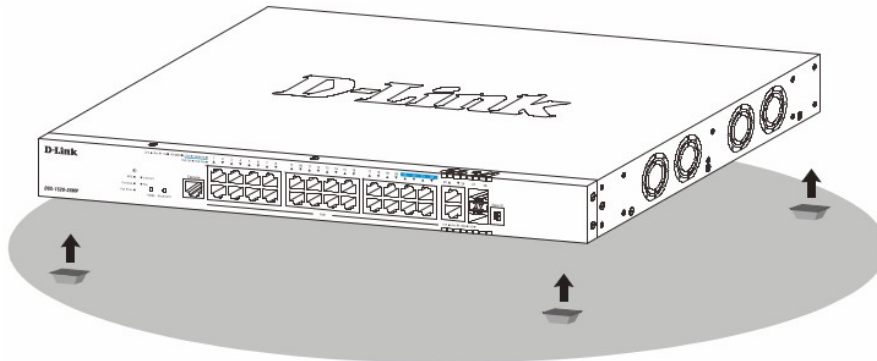


Figure 4 — Attaching rubber feet to the switch

Install the switch on a sturdy, level surface that can support the weight of the switch. Do not place any heavy objects on the switch. Make sure that there is proper heat dissipation from and adequate ventilation around the switch. Leave at least 10 cm of space at the front, sides, and rear of the switch for ventilation.

Installing the Switch in a Standard 19" Rack

This section is used to guide the user through installing the switch into a switch rack. The switch can be mounted in a standard 19"(1U) rack using the provided mounting brackets. Fasten the mounting brackets to the sides of the switch using the screws provided.

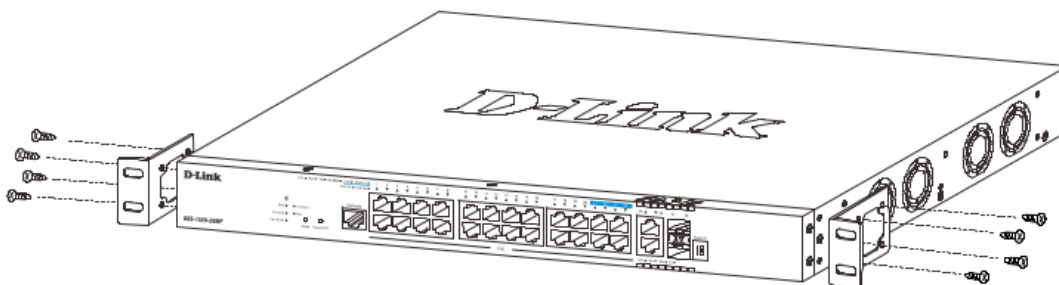


Figure 5 — Attaching rack-mount brackets to the switch

Fasten the mounting brackets in any available open space in the rack using the screws provided.

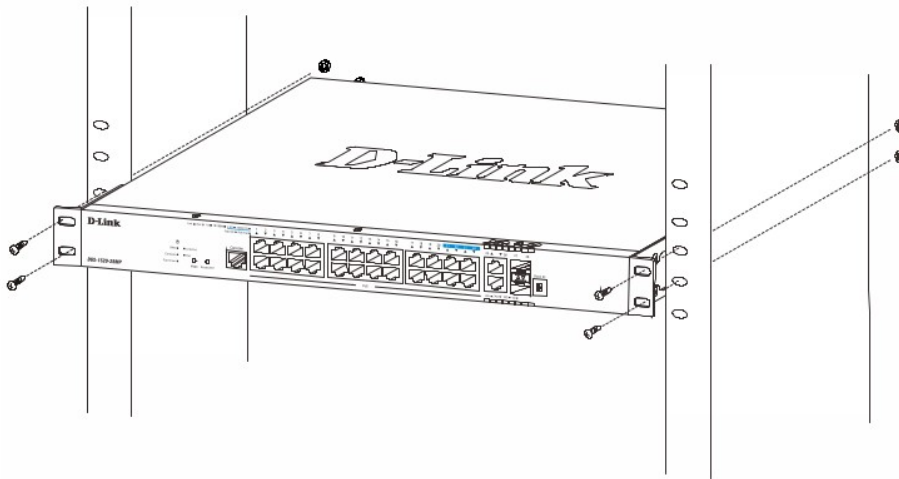


Figure 6 — Installing the switch in a rack

Installing Transceivers into the Transceiver Ports

The switch is equipped with Small Form-factor Pluggable (SFP) and Enhanced Small Form-factor Pluggable (SFP+) ports that can be used to connect various other networking devices to this switch that do not support the standard RJ-45 wiring connection. These ports are generally used to connect this switch to optical fiber connections and can be used to connect devices to the switch over great distances. The maximum distance that the RJ-45 wiring connection can reach is 100 meters. Fiber optic connections can span several kilometers.

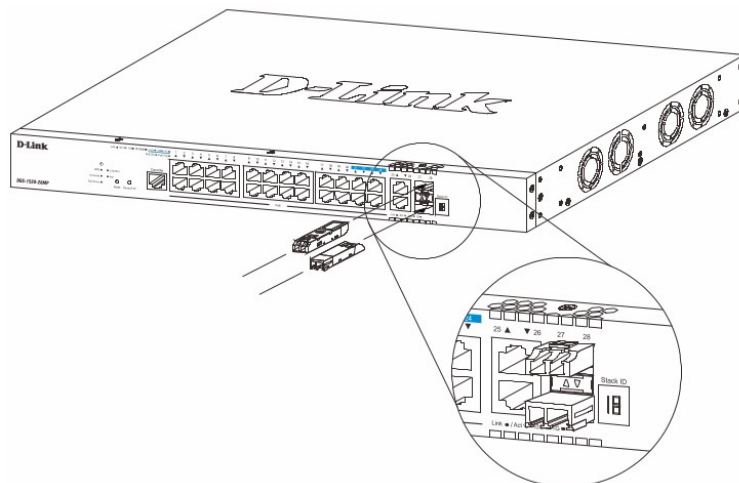


Figure 7 — Inserting transceivers into the transceiver ports

Connecting AC Power to the Switch

Plug one end of the AC power cord into the power socket of the switch and the other end into the local power source outlet.

Power Failure (AC Power)

In the event of a power failure, just as a precaution, unplug the power cord from the switch. After the power returns, plug the power cord back into the power socket of the switch.

Installing the AC Power Cord Retainer

To prevent accidental removal of the AC power cord, it is recommended to install the power cord retainer together with the power cord. With the rough side facing down, insert the tie wrap into the hole below the power socket.

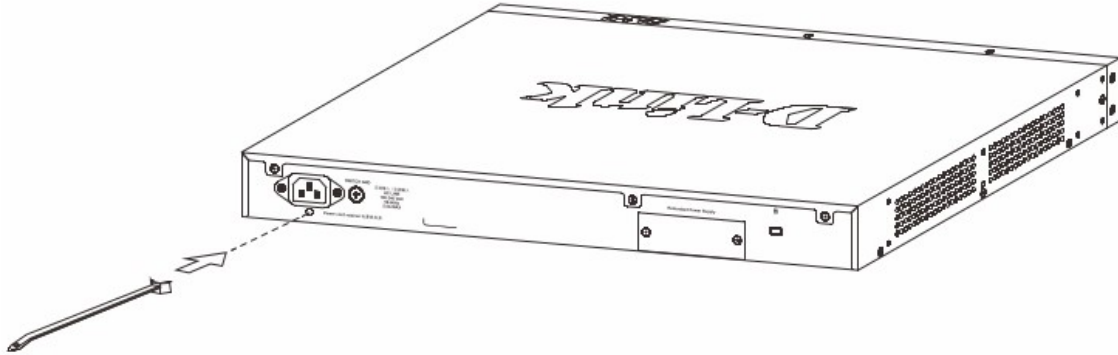


Figure 8 — Insert tie wrap into the switch

Plug the AC power cord into the power socket of the switch.



Figure 9 — Connect the power cord to the switch

Slide the retainer through the tie wrap until the end of the cord.

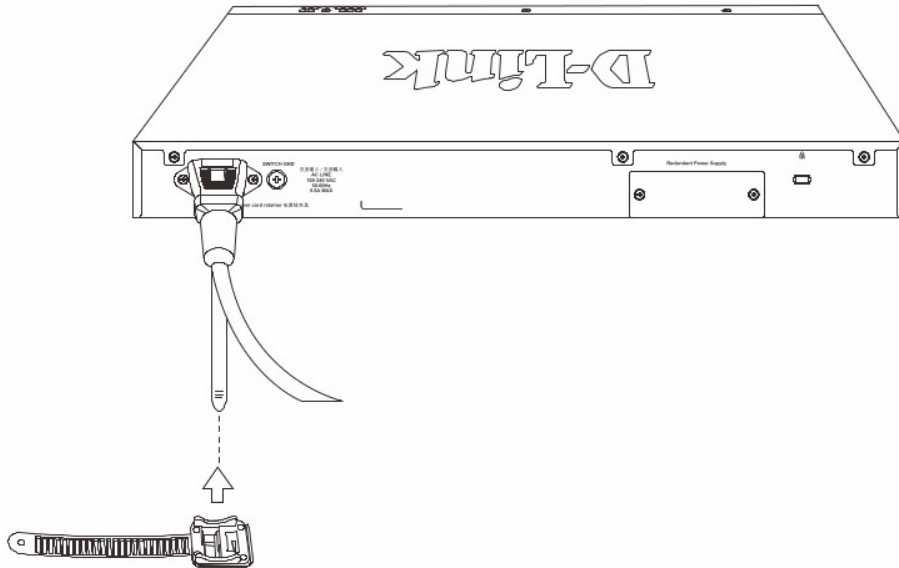


Figure 10 — Slide the retainer through the tie wrap

Circle the tie of the retainer around the power cord and into the locker of the retainer.

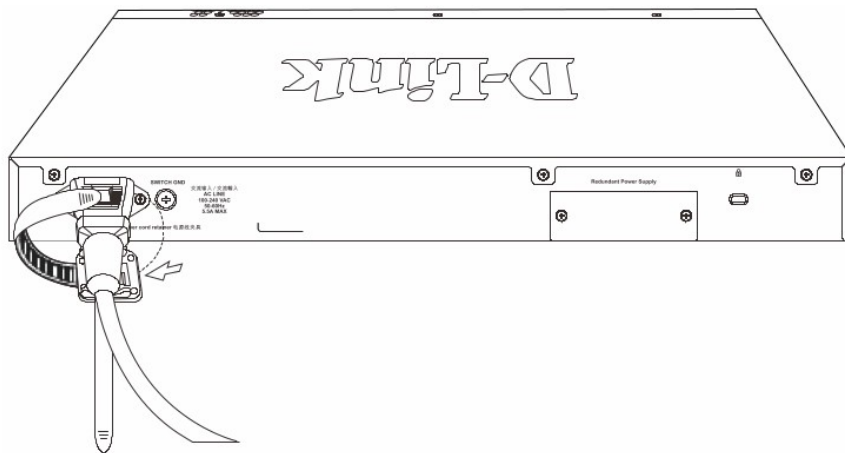


Figure 11 — Circle around the power cord

Fasten the tie of the retainer until the power cord is secured.

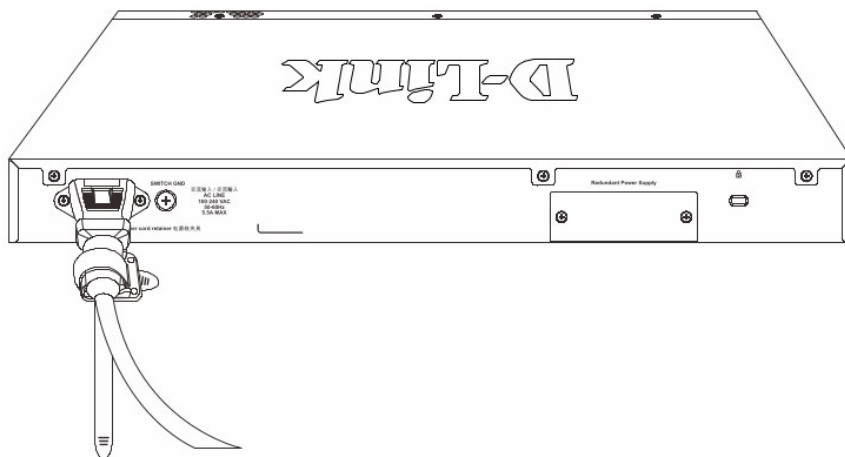


Figure 12 — Secure the power cord

Connecting PoH to the Switch

The MGMT port can be used to supply the switch with 90 W DC power using Power over HDBaseT. This can be used as the main power source or as the secondary power source to the switch.

CAUTION: Do not connect the RPS to AC power before the standard Ethernet cable is connected. This might damage the internal power supply.

CAUTION: Leave at least 15 cm of space at the rear of the Switch when an RPS is installed to prevent cable damage.

DPS-520 Redundant Power Supply

A standard Ethernet cable connects one of the four LAN ports on the DPS-520 and the PoH-capable MGMT port on the switch. A standard, three-pronged AC power cable connects the redundant power supply to the main power source.

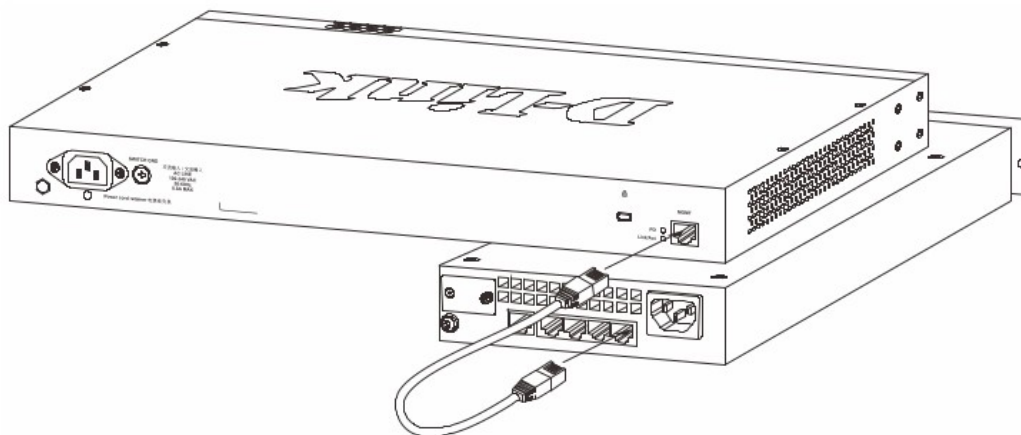


Figure 13 — Connecting the DPS-520 to the switch

Management Options

This switch provides multiple access platforms that can be used to configure, manage, and monitor networking features available on this switch. Currently there are three management platforms available which are described below.

Command Line Interface (CLI)

This switch can be managed, out-of-band, by using the console port or the MGMT port. Alternatively, the switch can also be managed, in-band, by using a Telnet connection to any of the LAN ports on the switch.

SNMP-based Management

The switch can be managed with an SNMP-compatible console program. The switch supports SNMPv1, SNMPv2c and SNMPv3.

Web User Interface (Web UI)

The Web UI, a graphical representation, provides access to most of the software features available on the switch. These features can be enabled, configured, disabled, or monitored using any standard Web browser, like Microsoft's Internet Explorer, Mozilla Firefox, Google Chrome, or Safari. The MGMT port offers an Out-Of-Band (OOB) connection to the Web UI and the LAN ports offers an in-band connection to the Web UI using HTTP or HTTPS (SSL).

Connecting to the Console Port

The console port is used to connect to the CLI of the switch.

To use the RJ-45 console port, the following equipment is needed:

- A terminal or a computer with both an RS-232 serial port and terminal emulation software
- A console cable with a male DB9 connector on one end and an RJ-45 connection on the other

To connect the RJ-45 console port on the switch to the computer:

- Connect the male DB9 connector on the console cable (shipped with the switch) to the RS-232 serial port on the computer running terminal emulation software then insert the RJ-45 connector into the RJ-45 console port on the switch.

To configure the terminal emulation software as follows:

- Select the appropriate serial port (COM1 or COM2).
- Set the data rate to 115200 baud.
- Set the data format to 8 data bits, 1 stop bit, and no parity.
- Set flow control to none.



Port:	COM1	OK
Baud rate:	115200	Cancel
Data:	8 bit	Help
Parity:	none	
Stop:	1 bit	
Flow control:	none	

Figure 14 — COM port configuration

After the boot sequence has been completed, the console login screen will be displayed. Enter username and password (the default username and password for the CLI and Web UI is **admin**).

```
DGS-1520-28MP Gigabit Ethernet Smart Managed Switch

Command Line Interface
Firmware: Build 1.00.018
Copyright(C) 2020 D-Link Corporation. All rights reserved.

User Access Verification

Username:admin
Password:*****

Switch#
```

Figure 15 — Console login screen



NOTE: For security reasons, it is highly recommended to configure a personal username and password for this switch.

To create a new user account, use the **username** command in the Global Configuration Mode. In the example below a user account with the username 'NewUser', password '12345', and privilege level 15 is created.

```
Switch# configure terminal
Switch(config)# username NewUser password 12345
Switch(config)# username NewUser privilege 15
Switch(config)#
```

Figure 16 — Creating a new user account



NOTE: Usernames can be up to 32 characters in length. Passwords can be up to 32 plain-text characters in length. Passwords are case sensitive.

To configure the IP address of the Switch, use the **ip address** command in the VLAN Interface Configuration Mode. In the example below the IP address of the switch is change to 10.50.50.50 with the subnet mask of 255.0.0.0.

```
Switch# configure terminal
Switch(config)# interface vlan 1
Switch(config-if)# ip address 10.50.50.50 255.0.0.0
Switch(config-if)#
```

Figure 17 — Changing the IP address of the switch

Logging into the Web UI

Supported Web browsers:

- Microsoft Internet Explorer
- Firefox
- Google Chrome
- Safari

To access the Web UI, open a standard Web browser, enter the switch's IP address into the address bar of the browser, and press the Enter key. To access the Web UI from normal LAN ports, the default IP address is 10.90.90.90 with the subnet mask of 255.0.0.0. When the login screen is displayed, enter username and password (the default username and password for the CLI and Web UI is **admin**).



The screenshot shows a web browser window titled "Connect to 10.90.90.90". The page has a blue header with a key icon. Below the header, there are three input fields: "User Name" with the text "admin", "Password" with six dots, and "Language" with a dropdown menu showing "English". At the bottom, there are two buttons: "Login" and "Reset".

Figure 18 — Web UI Login Window



NOTE: For security reasons, it is highly recommended to configure a personal username and password for this switch.

Информация в данном документе может быть изменена без предварительного уведомления.

© 2021 D-Link Corporation. Все права защищены.

Правила и условия безопасной эксплуатации

Внимательно прочитайте данный раздел перед установкой и подключением устройства. Убедитесь, что устройство и кабели не имеют механических повреждений. Устройство должно быть использовано только по назначению, в соответствии с руководством по установке.

Устройство предназначено для эксплуатации в сухом, чистом, незапыленном и хорошо проветриваемом помещении с нормальной влажностью, в стороне от мощных источников тепла. Не используйте его на улице и в местах с повышенной влажностью. Не размещайте на устройстве посторонние предметы. Вентиляционные отверстия устройства должны быть открыты. Температура окружающей среды в непосредственной близости от устройства и внутри его корпуса должна быть в пределах от -5 °С до +50 °С.

Электропитание должно соответствовать параметрам электропитания, указанным в технических характеристиках устройства. Для подключения необходима установка легкодоступной розетки вблизи оборудования.

Не вскрывайте корпус устройства! Перед очисткой устройства от загрязнений и пыли отключите питание устройства. Удаляйте пыль с помощью влажной салфетки. Не используйте жидкие/аэрозольные очистители или магнитные/статические устройства для очистки. Избегайте попадания влаги в устройство.

Устройство должно быть заземлено, если это предусмотрено конструкцией корпуса или вилки на кабеле питания.

Срок службы устройства – 5 лет.

Гарантийный период исчисляется с момента приобретения устройства у официального дилера на территории России и стран СНГ и составляет один год.

Вне зависимости от даты продажи гарантийный срок не может превышать 2 года с даты производства изделия, которая определяется по 6 (год) и 7 (месяц) цифрам серийного номера, указанного на наклейке с техническими данными.

Год: С - 2012, D - 2013, E - 2014, F - 2015, G - 2016, H - 2017, I - 2018, J - 2019, O - 2020, 1 - 2021.

Месяц: 1 - январь, 2 - февраль, ..., 9 - сентябрь, A - октябрь, B - ноябрь, C - декабрь.

При обнаружении неисправности устройства обратитесь в сервисный центр или группу технической поддержки D-Link.

Комплект поставки

Откройте коробку и аккуратно распакуйте ее содержимое. Проверьте по списку наличие всех компонентов и убедитесь, что они не повреждены. Если что-либо отсутствует или есть повреждения, обратитесь к Вашему поставщику. Приобретенная Вами модель может незначительно отличаться от изображенной в руководстве.

- Коммутатор DGS-1520-52
- Кабель питания
- Фиксатор для кабеля питания
- Консольный кабель (с разъемами RJ-45 и RS-232)
- 2 крепежных кронштейна для установки в 19-дюймовую стойку
- 4 резиновые ножки
- Комплект для монтажа
- Краткое руководство по установке

Описание передней панели

На передней панели коммутатора расположены следующие компоненты:

- 48 портов 10/100/1000Base-T
- 2 порта 10GBase-T
- 2 порта 10GBase-X SFP+
- Консольный порт с разъемом RJ-45
- Индикаторы Power, Console, Fan Error, Link/Activity/Speed (на порт), Stack ID
- Кнопка Reset/ZTP

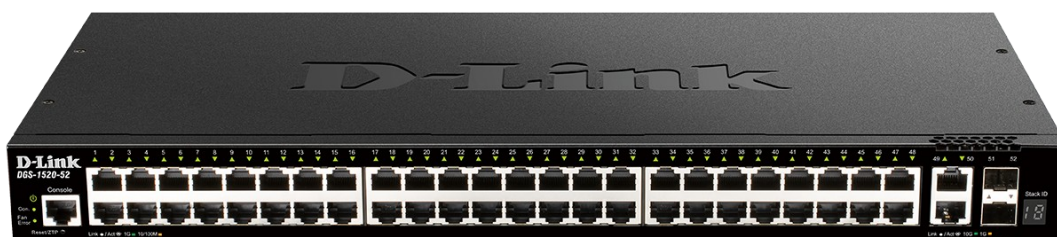


Рисунок 1 — Передняя панель DGS-1520-52

Индикаторы передней панели

Передняя панель коммутатора DGS-1520-52 оснащена индикаторами Power, Console, Fan Error, Link/Activity/Speed (на порт), Stack ID.

Расположение	Индикатор	Цвет	Состояние	Описание
На устройство	Power	Зеленый	Горит	Питание коммутатора включено.
			Мигает	Система выполняет самопроверку.
			Не горит	Питание коммутатора выключено.

	Console	Зеленый	Горит	Консоль включена.
			Не горит	Консоль выключена.
	Fan Error	Зеленый	Горит	Нормальный режим работы вентилятора.
		Красный	Горит	Вентилятор выключен (из-за ошибки в работе вентилятора).
	Stack ID	Зеленый	Горит 1-8	Идентификационный номер коммутатора в стеке (Stacking ID).
			Горит H	Коммутатор является основным (master) в стеке.
			Горит h	Коммутатор является резервным (backup master) в стеке.
			Горит e	Ошибка во время самопроверки системы.
			Горит G	Включена функция Safeguard engine, коммутатор перешел в режим высокой загрузки (exhausted mode).
	На порт 10/100/1000Base-T	Link/ Activity/ Speed	Зеленый	Горит
Мигает				На порту выполняется передача или прием данных на скорости 1000 Мбит/с.
Не горит				К порту не подключено устройство.
Желтый			Горит	К порту подключено устройство на скорости 10/100 Мбит/с.
			Мигает	На порту выполняется передача или прием данных на скорости 10/100 Мбит/с.
			Не горит	К порту не подключено устройство.
На порт 10GBase-T	Link/ Activity/ Speed	Зеленый	Горит	К порту подключено устройство на скорости 10 Гбит/с.
			Мигает	На порту выполняется передача или прием данных на скорости 10 Гбит/с.
			Не горит	К порту не подключено устройство.
		Желтый	Горит	К порту подключено устройство на скорости 1000 Мбит/с.
			Мигает	На порту выполняется передача или прием данных на скорости 1000 Мбит/с.
			Не горит	К порту не подключено устройство.

На порт 10GBase-X SFP+	Link/Activity/Speed	Зеленый	Горит	К порту подключено устройство на скорости 10 Гбит/с.
			Мигает	На порту выполняется передача или прием данных на скорости 10 Гбит/с.
			Не горит	К порту не подключено устройство.
	Желтый	Горит	К порту подключено устройство на скорости 1000 Мбит/с.	
		Мигает	На порту выполняется передача или прием данных на скорости 1000 Мбит/с.	
		Не горит	К порту не подключено устройство.	

Описание задней панели

На задней панели коммутатора расположены следующие компоненты:

- Разъем для подключения кабеля питания (100-240 В переменного тока, 50/60 Гц)
- Слот для фиксатора кабеля питания
- SWITCH GND: винт заземления предназначен для крепления клеммы заземляющего провода к коммутатору
- Слот для кенсингтонского замка
- Порт управления MGMT: используется для подключения к ПК при помощи стандартного Ethernet-кабеля. Данный порт обеспечивает доступ к коммутатору по Telnet или через Web-браузер. Порт MGMT также поддерживает стандарт Power over HDBaseT (PoH) и может использоваться для подключения источника питания постоянного тока 90 Вт (в качестве основного или резервного источника питания) и обеспечения подачи питания на коммутатор
- Индикаторы Link/Activity, PD

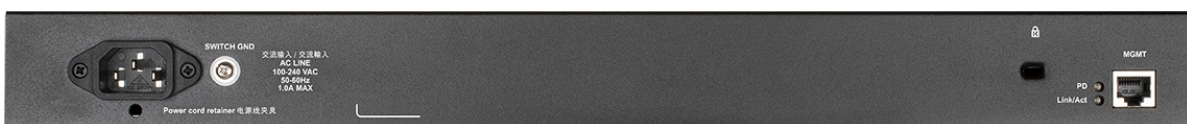


Рисунок 2 — Задняя панель DGS-1520-52

Индикаторы задней панели

Задняя панель коммутатора DGS-1520-52 оснащена индикаторами Link/Activity/Speed и PD.

Расположение	Индикатор	Цвет	Состояние	Описание
На порт MGMT	Link/Activity/Speed	Зеленый	Горит	К порту подключено устройство на скорости 1000 Мбит/с.
			Мигает	На порту выполняется передача или прием данных на скорости 1000 Мбит/с.
			Не горит	К порту не подключено устройство.
		Желтый	Горит	К порту подключено устройство на скорости 10/100 Мбит/с.
			Мигает	На порту выполняется передача или прием данных на скорости 10/100 Мбит/с.
			Не горит	К порту не подключено устройство.
	PD	Зеленый	Горит	К порту MGMT с поддержкой PoE подключен источник питания постоянного тока, осуществляется подача питания на коммутатор.
			Не горит	К порту не подключен источник питания.
		Желтый	Горит	К порту MGMT с поддержкой PoE подключен источник питания, но в его работе произошла ошибка.
Не горит			К порту не подключен источник питания.	

Описание боковых панелей

На левой боковой панели коммутатора находятся вентиляционные отверстия для рассеивания тепла. Не закрывайте эти отверстия и оставьте около 15 см свободного пространства вокруг задней и боковых панелей коммутатора. Помните, что без правильно организованного рассеивания тепла и циркуляции воздуха системные компоненты могут перегреться, что, в свою очередь, может привести к нарушению работы устройства. Также на правой и левой боковой панели коммутатора находятся два вентилятора и отверстия для крепления кронштейнов для установки в 19-дюймовую стойку.

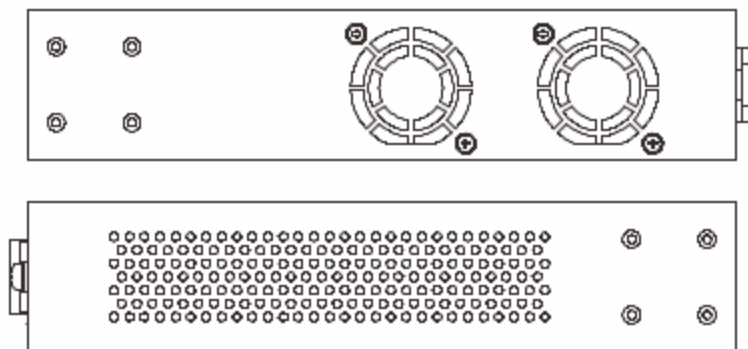


Рисунок 3 — Боковые панели DGS-1520-52

Установка коммутатора

Для безопасной установки и эксплуатации коммутатора рекомендуется следующее:

- Осмотрите кабель питания и убедитесь в безопасности его подключения к соответствующему разъему на задней панели коммутатора.
- Установите коммутатор в сухом и прохладном месте для обеспечения надлежащей рабочей температуры и влажности.
- Установите коммутатор в том месте, где отсутствуют источники сильного электромагнитного поля, вибрация, пыль и воздействие прямых солнечных лучей.

Установка на стол или поверхность

При установке коммутатора на стол или какую-либо поверхность необходимо прикрепить входящие в комплект поставки резиновые ножки к нижней панели коммутатора, расположив их по углам.

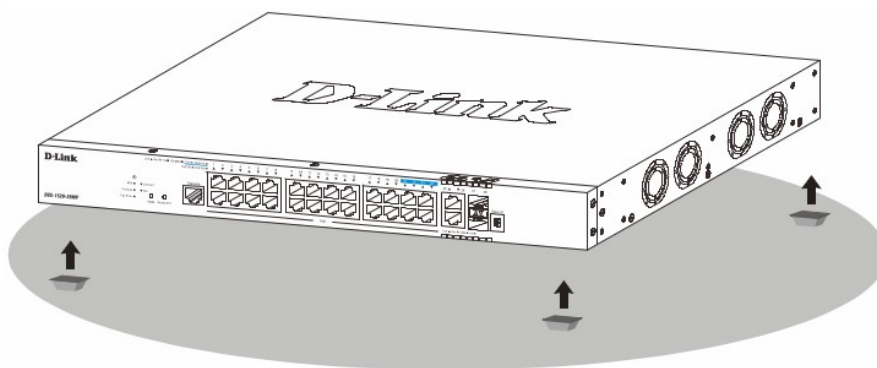


Рисунок 4 — Крепление резиновых ножек

Установите устройство на твердой и ровной поверхности, которая способна выдержать его вес. Не размещайте тяжелые предметы на поверхности коммутатора. Убедитесь в наличии пространства для рассеивания тепла и вентиляции вокруг коммутатора. Оставьте по меньшей мере 10 см пространства спереди, сбоку и сзади коммутатора для обеспечения вентиляции.

Установка в стойку

Коммутатор может быть установлен в 19-дюймовую стойку. Прикрепите кронштейны

к боковым панелям коммутатора и зафиксируйте их с помощью входящих в комплект поставки винтов.

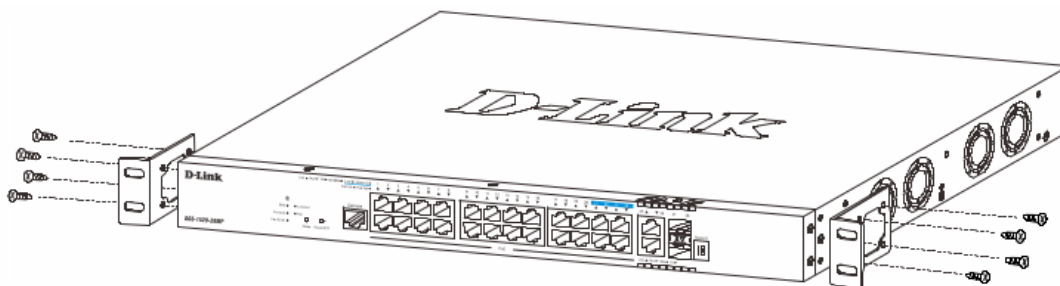


Рисунок 5 — Крепление кронштейнов

Установите коммутатор в стойку и закрепите его с помощью винтов, входящих в комплект поставки стойки.

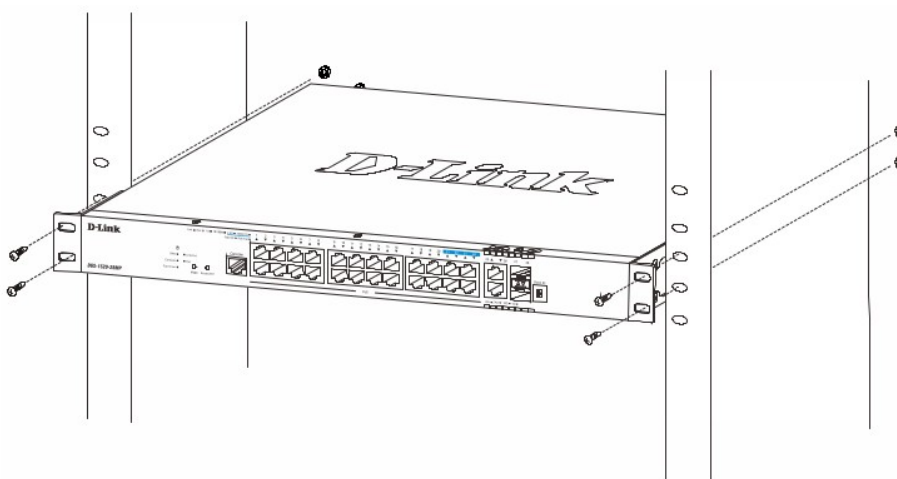


Рисунок 6 — Установка коммутатора в стойку

Подключение трансиверов

Коммутатор DGS-1520-52 оснащен портами для подключения трансиверов SFP и SFP+.

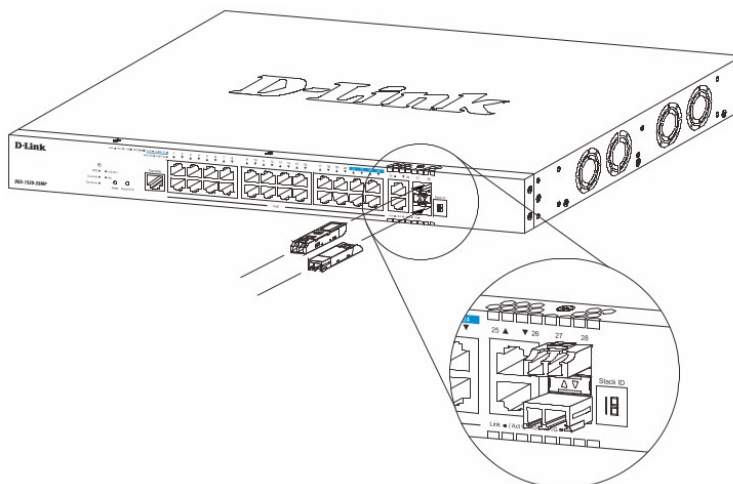


Рисунок 7 — Подключение трансиверов к коммутатору

Подключение кабеля питания переменного тока

Подключите кабель питания переменного тока к соответствующему разъему на задней панели коммутатора и к электрической розетке.

Сбой питания

В случае сбоя питания коммутатор должен быть отключен. После восстановления питания включите коммутатор снова.

Установка фиксатора для кабеля питания

Для предотвращения случайного отключения кабеля питания рекомендуется установить фиксатор. Установите стяжку замком вниз в отверстие, расположенное под разъемом питания.

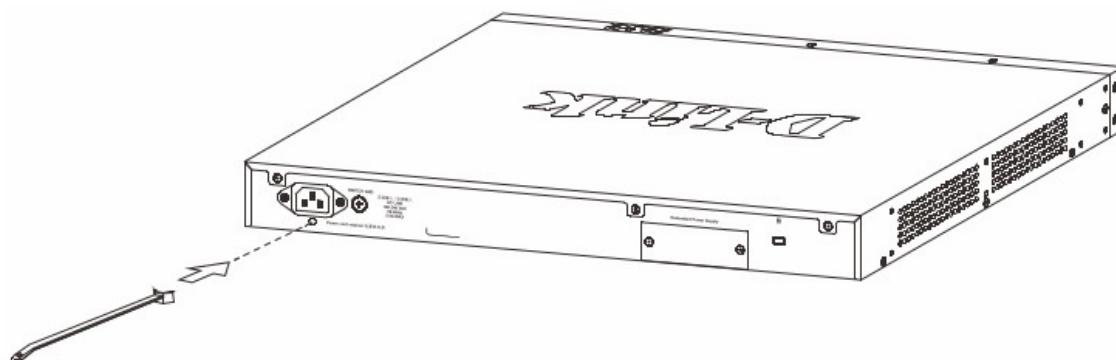


Рисунок 8 — Установка кабельной стяжки на коммутатор

Подключите кабель питания к коммутатору.

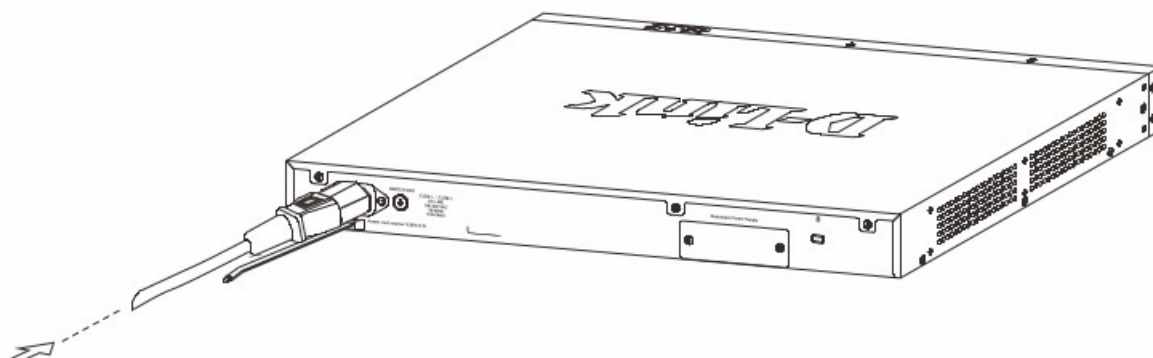


Рисунок 9 — Подключение кабеля питания к коммутатору

Наденьте зажим на стяжку и сместите его в сторону разъема питания.

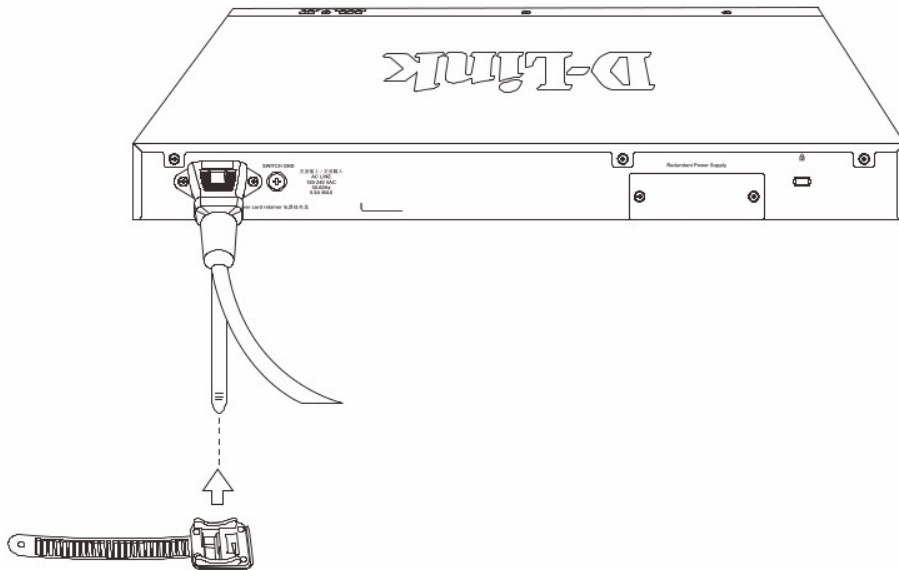


Рисунок 10 — Установка зажима на стяжку

Оберните ленту зажима вокруг кабеля питания и вставьте ее в фиксирующий замок.

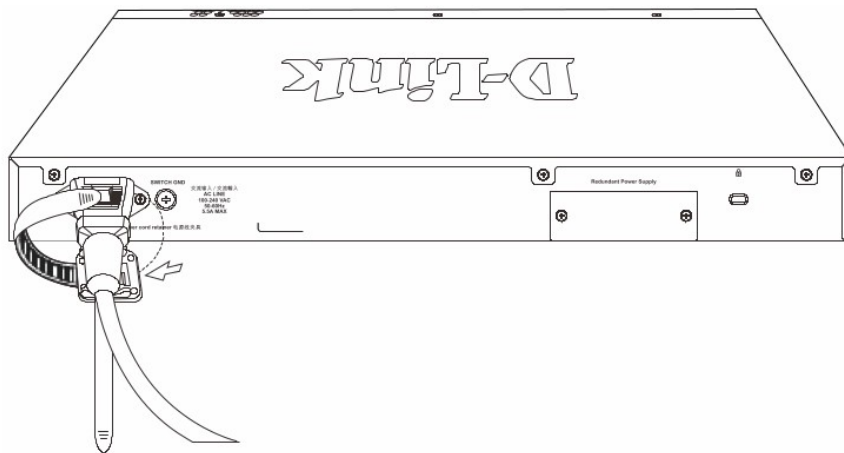


Рисунок 11 — Фиксация кабеля питания

Затяните ленту зажима для надежной фиксации кабеля питания.

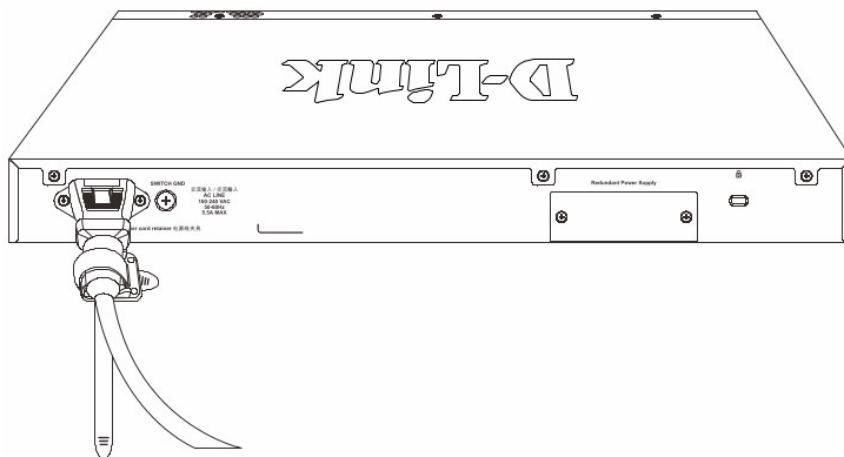


Рисунок 12 — Фиксация кабеля питания

Подключение источника питания к порту MGMT

Порт управления MGMT поддерживает стандарт Power over HDBaseT (PoH) и может использоваться для подключения источника питания постоянного тока 90 Вт (в качестве основного или резервного источника питания) и обеспечения подачи питания на коммутатор.

⚠ ПРЕДУПРЕЖДЕНИЕ: НЕ ПОДКЛЮЧАЙТЕ резервный источник питания к источнику питания переменного тока до того, как будет подключен стандартный Ethernet-кабель, так как это может привести к повреждению внутреннего источника питания.

⚠ ПРЕДУПРЕЖДЕНИЕ: При подключении резервного источника питания оставьте не менее 15 см свободного пространства сзади коммутатора во избежание повреждения кабеля.

Резервный источник питания DPS-520

Для подключения к одному из четырех портов LAN на резервном источнике питания DPS-520 и к порту MGMT с поддержкой PoH на коммутаторе используется стандартный Ethernet-кабель. Стандартный трехштекерный кабель питания переменного тока используется для подключения DPS-520 к источнику питания.

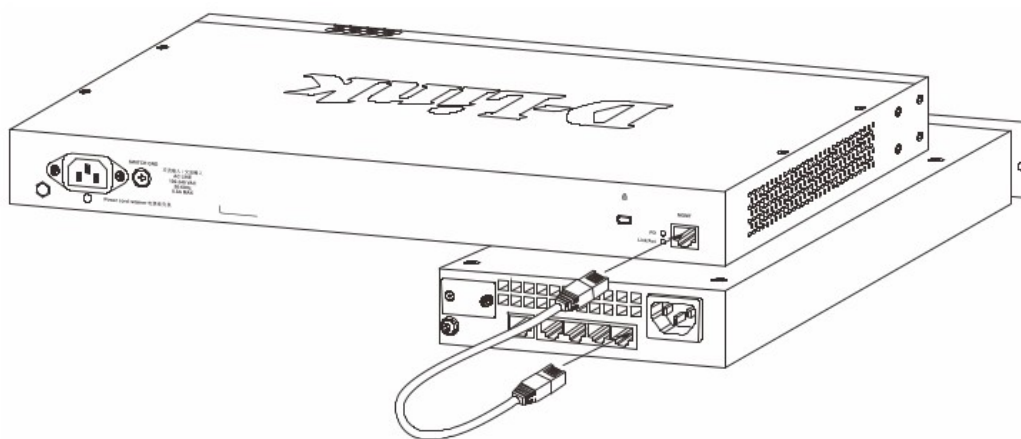


Рисунок 13 — Подключение DPS-520 к коммутатору

Функции управления

Управление коммутатором DGS-1520-52 может осуществляться с помощью интерфейса командной строки (CLI), протокола SNMP и Web-интерфейса.

Интерфейс командной строки (CLI)

Управление коммутатором может осуществляться через консольный порт или порт MGMT. В качестве альтернативного варианта, для управления можно использовать Telnet при подключении к любому из LAN-портов.

SNMP-менеджер

Управление коммутатором может осуществляться с помощью консольной

программы, поддерживающей протокол SNMP. Коммутатор DGS-1520-52 поддерживает SNMP версий 1, 2с, 3.

Web-интерфейс

Пользовательский интерфейс обеспечивает доступ к различным функциям настройки и управления коммутатора, позволяет пользователю просматривать статистические данные, в том числе и в виде графиков.

Подключение к консольному порту

Консольный порт с разъемом RJ-45 на передней панели коммутатора предназначен для подключения компьютера, который будет использоваться для настройки устройства. Для подключения к консольному порту потребуется консольный кабель с разъемом RJ-45, входящий в комплект поставки коммутатора.

Для подключения к консольному порту потребуется следующее:

- Терминал или компьютер с портом RS-232 и программа эмуляции терминала
- Консольный кабель с разъемами RS-232 и RJ-45

Для подключения к консольному порту коммутатора выполните следующее:

1. Подключите кабель разъемом RS-232 к соответствующему порту компьютера.
2. Подключите кабель разъемом RJ-45 к консольному порту коммутатора.

Параметры программы эмуляции терминала должны быть настроены следующим образом:

- Соответствующий порт COM1 или COM2
- Скорость передачи данных 115200 бод
- 8 бит данных
- 1 стоповый бит
- Отсутствие контроля по четности
- Отсутствие управления потоком

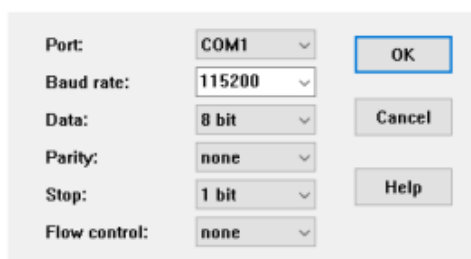


Рисунок 14 — Параметры настройки COM-порта

После завершения загрузки появится окно аутентификации консоли. Введите имя пользователя и пароль (именем пользователя и паролем по умолчанию является **admin**).


```
DGS-1520-28MP Gigabit Ethernet Smart Managed Switch

Command Line Interface
Firmware: Build 1.00.018
Copyright(C) 2020 D-Link Corporation. All rights reserved.

User Access Verification

Username:admin
Password:*****

Switch#
```

Рисунок 15 — Окно аутентификации консоли



ПРИМЕЧАНИЕ: После первоначальной авторизации настоятельно рекомендуется создать новую учетную запись с именем пользователя и паролем с целью предотвращения доступа к коммутатору неавторизованных пользователей.

Для создания новой учетной записи пользователя используйте команду **username** в режиме глобальной конфигурации (Global Configuration Mode). В приведенном ниже примере показано создание новой учетной записи «NewUser», пароля «12345» и уровня прав доступа 15.

```
Switch# configure terminal
Switch(config)# username NewUser password 12345
Switch(config)# username NewUser privilege 15
Switch(config)#
```

Рисунок 16 — Создание новой учетной записи



ПРИМЕЧАНИЕ: Пароли чувствительны к регистру. Длина имени пользователя и пароля может составлять до 32 символов.

Для настройки IP-адреса коммутатора используйте команду **ip address** в режиме конфигурации интерфейса VLAN (VLAN Interface Configuration Mode). В приведенном ниже примере показано изменение IP-адреса на 10.50.50.50 с маской подсети 255.0.0.0.

```
Switch# configure terminal
Switch(config)# interface vlan 1
Switch(config-if)# ip address 10.50.50.50 255.0.0.0
Switch(config-if)#
```

Рисунок 17 — Изменение IP-адреса коммутатора

Вход в Web-интерфейс

Поддерживаемые Web-браузеры:

- Microsoft Internet Explorer
- Firefox
- Google Chrome
- Safari

При использовании LAN-портов для доступа к Web-интерфейсу IP-адресом по умолчанию является 10.90.90.90 с маской подсети 255.0.0.0. Для выполнения входа в Web-интерфейс откройте Web-браузер, введите в адресной строке IP-адрес коммутатора и нажмите Enter. После того как появится окно аутентификации, введите имя пользователя и пароль (именем пользователя и паролем по умолчанию является **admin**). Нажмите **Login**.

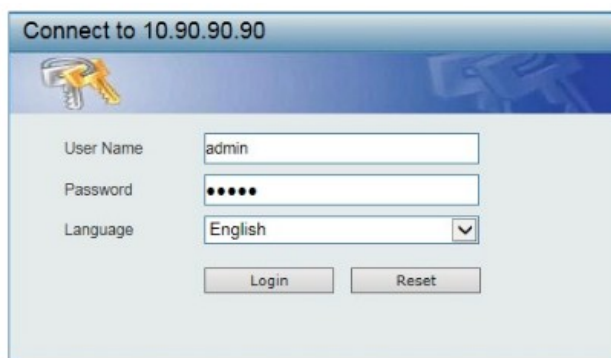


Рисунок 18 — Окно аутентификации пользователя



ПРИМЕЧАНИЕ: После первоначальной авторизации настоятельно рекомендуется создать новую учетную запись с именем пользователя и паролем с целью предотвращения доступа к коммутатору неавторизованных пользователей.

Технические характеристики

Общие	
Интерфейсы	48 портов 10/100/1000Base-T 2 порта 10GBase-T 2 порта 10GBase-X SFP+ Консольный порт с разъемом RJ-45 Порт управления 10/100/1000Base-T с разъемом RJ-45 (Out-of-band) и поддержкой PoH
Индикаторы	Power Console Fan Error Link/Activity/Speed (на порт) Stack ID PD (на порт MGMT) Link/Activity (на порт MGMT)
Разъем питания	Разъем для подключения питания (переменный ток)
Функционал	
Стандарты и функции	IEEE 802.3 10Base-T IEEE 802.3u 100Base-TX IEEE 802.3ab 1000Base-T IEEE 802.3an 10GBase-T IEEE 802.3z 1000Base-X IEEE 802.3ae 10GBase-X IEEE 802.3az Energy-Efficient Ethernet Управление потоком IEEE 802.3x Автоматическое определение MDI/MDIX на всех медных портах
Производительность	
Оперативная память	256 МБ
Flash-память	64 МБ
Коммутационная матрица	176 Гбит/с
Метод коммутации	Store-and-forward
Размер таблицы MAC-адресов	До 16 384 записей
Макс. скорость перенаправления 64-байтных пакетов	130,95 Mpps
Буфер пакетов	4 МБ
Jumbo-фрейм	До 12 288 байт
Физические параметры	
Размеры (Д x Ш x В)	441 x 207,4 x 44 мм
Вес	2,78 кг

Условия эксплуатации	
Питание	100-240 В переменного тока, 50/60 Гц
Макс. потребляемая мощность	51,2 Вт
Потребляемая мощность в режиме ожидания	25,5 Вт (100 В) 26,8 Вт (240 В)
Тепловыделение	174,6 БТЕ/час
MTBF (часы)	364 888
Уровень шума	При высокой скорости вентилятора: 56,8 дБ При низкой скорости вентилятора: 41,1 дБ
Система вентиляции	2 вентилятора
Температура	Рабочая: от -5 до 50 °С Хранения: от -40 до 70 °С
Влажность	При эксплуатации: от 10% до 95% без конденсата При хранении: от 5% до 95% без конденсата
Прочее	
EMI	CE Class A, FCC Class A, IC Class A, RCM Class A, VCCI Class A, BSMI Class A
Безопасность	UL, CB, LVD, BSMI

ТЕХНИЧЕСКАЯ ПОДДЕРЖКА

Обновления программного обеспечения и документация доступны на Интернет-сайте D-Link. D-Link предоставляет бесплатную поддержку для клиентов в течение гарантийного срока. Клиенты могут обратиться в группу технической поддержки D-Link по телефону или через Интернет.

Техническая поддержка компании D-Link работает в круглосуточном режиме ежедневно, кроме официальных праздничных дней. Звонок бесплатный по всей России.

Техническая поддержка D-Link:

8-800-700-5465

Техническая поддержка через Интернет:

<http://www.dlink.ru>

e-mail: support@dlink.ru

Изготовитель:

Д-Линк Корпорейшн, 11494, Тайвань, Тайбэй, Нэйху Дистрикт, Синху 3-Роуд, № 289

Уполномоченный представитель, импортер:

ООО "Д-Линк Трейд"

390043, г. Рязань, пр. Шабулина, д.16

Тел.: +7 (4912) 575-305

ОФИСЫ

Россия

Москва, Графский переулок, 14

Тел. : +7 (495) 744-00-99

E-mail: mail@dlink.ru

Україна

Київ, вул. Межигірська, 87-А

Тел.: +38 (044) 545-64-40

E-mail: ua@dlink.ua

Moldova

Chisinau; str.C.Negruzzi-8

Tel: +373 (22) 80-81-07

E-mail:info@dlink.md

Беларусь

Мінск, пр-т Незалежнасці, 169

Тэл.: +375 (17) 218-13-65

E-mail: support@dlink.by

Қазақстан

Алматы, Құрманғазы к-сі, 143 үй

Тел.: +7 (727) 378-55-90

E-mail: almaty@dlink.ru

Հայաստան

Երևան, Դավթաշեն 3-րդ

թաղամաս, 23/5

Հեռ. +374 (10) 39-86-67

Էլ. փոստ՝ info@dlink.am

Lietuva

Vilnius, Žirmūnų 139-303

Tel.: +370 (5) 236-36-29

E-mail: info@dlink.lt

Eesti

E-mail: info@dlink.ee

Türkiye

Uphill Towers Residence A/99

Ataşehir /ISTANBUL

Tel: +90 (216) 492-99-99

Email: info.tr@dlink.com.tr

ישראל

רח' המגשימים 20

קרית מטלון

פתח תקווה

072-2575555

support@dlink.co.il

