

CONTACT INFORMATION

- Website: www.supermicro.com
- General Information: marketing@supermicro.com
- Technical Support: support@supermicro.com
- Phone: +1 (408) 503-8000, Fax: +1 (408) 503-8008

FOR YOUR SYSTEM TO WORK PROPERLY, PLEASE DOWNLOAD APPROPRIATE

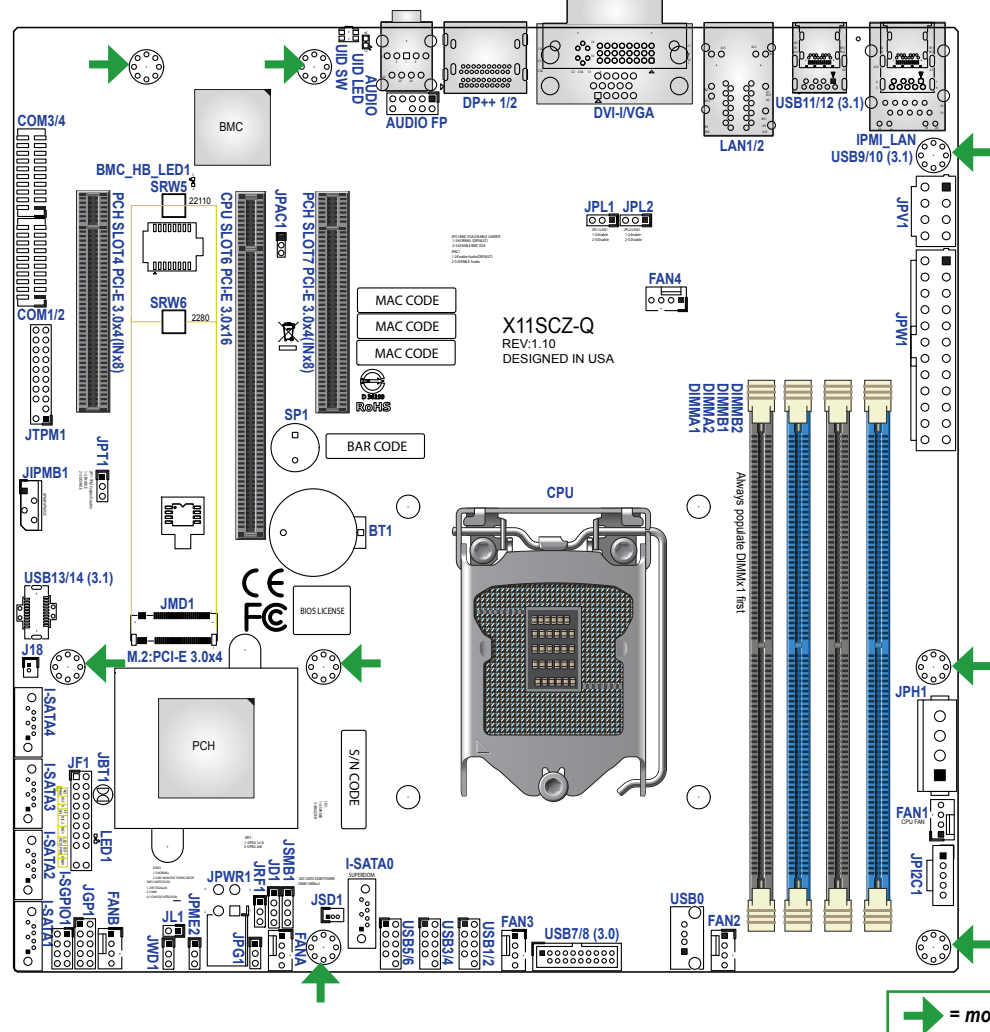
- DRIVERS/IMAGES/USER'S MANUAL FROM THE LINKS BELOW:**
- Manuals: <http://www.supermicro.com/support/manuals>
 - Drivers & Utilities: <https://www.supermicro.com/wftp/driver/>
 - Safety: http://www.supermicro.com/about/policies/safety_information.cfm

PACKAGE CONTENTS

- One (1) Supermicro Motherboard
- One (1) Quick Reference Guide
- One (1) I/O Shield
- Five (5) SATA Cables



Motherboard Layout and Features



Jumpers and Connectors

Jumpers		
Jumper	Description	Default Setting
JBT1	CMOS Clear	Open (Normal)
JPAC1	Audio Enable/Disable	Pins 1-2 (Enable)
JPG1*	BMC Video Enable/Disable (-F SKU only)	Pins 1-2 (Enable)
JPL1/JPL2	LAN1/LAN2 Enable/Disable	Pins 1-2 (Enable)
JPME2	Manufacturing Mode	Pins 1-2 (Normal)
JPT1	Onboard TPM 2.0 Enable/Disable	Pins 1-2 (Enable)
JRF1	PCI-E 3.0 Slot 6 x16/x8x8 Bifurcation	Pins 1-2 (x16 lane) (Default) Pins 2-3 (x8x8 lane)
JWD1	Watch Dog Timer	Pins 1-2 (Reset)

Connectors	
Connector	Description
AUDIO	High Definition Audio Ports (on the back panel)
AUDIO FP	Front Panel Audio Header
BT1	Onboard Battery
COM1/2, COM3/4	RS-232 Serial COM Headers
DP++1/2	DisplayPorts
DVI-I	Digital Visual Interface Port (Digital and Analog)
FAN1 - FAN4*, FANA, FANB	Fan Headers (FAN1: CPU Fan) (FAN4 not available on -Q)
IPMI LAN*	Dedicated IPMI LAN Port (-F SKU only)
I-SATA0 - I-SATA4	Intel® PCH SATA 3.0 Ports (I-SATA0: SuperDOM)
I-SGPI01	Serial Link General Purpose I/O Header
J18	Extended CMOS Battery Connector
JD1	Speaker/Buzzer (Pins 1-4: Speaker, Pins 3-4: Buzzer)
JF1	Front Control Panel Header
JGP1	General Purpose I/O Header
JIPMB1*	System Management Bus Header for IPMI card (-F SKU only)
JL1	Chassis Intrusion Header
JMD1	M.2 M-Key PCI-E 3.0 x4/SATA3 Connector
JPI2C1*	Power Supply SMBus I2C Header (-F SKU only)
JPH1	4-pin Power Connector for HDD
JPV1	8-pin CPU Power Connector for ATX Power (Required) or alternative 12V DC power for special enclosure when 24-pin ATX power is not in use
JPW1	24-pin ATX Power Connector
JPWR1	4-pin 12V Power Connector for GPU card requiring extra 12V power up to 75W
JSD1	SATA Disk On Module (DOM) Power Connector
JSMB1	PCH SMBus Header
JTPM1	Trusted Platform Module (TPM) Header
LAN1/2	Gigabit Ethernet (RJ45) Port
SLOT4, SLOT7	PCH PCI-E 3.0 x4 Slots (in x8)
SLOT6	CPU PCI-E 3.0 x16 Slot
SP1	Speaker/Buzzer

Connectors and LED Indicators

Connectors		
Connector	Description	
SRW5	M.2 Holding Screw for 110mm key	
SRW6	M.2 Holding Screw for 80mm key	
UID SW*	Unit Identifier Switch (-F SKU only)	
USB0	USB 3.1 Gen 1 Type A Header	
USB1/2, USB3/4, USB5/6	Front Accessible USB 2.0 Headers	
USB7/8	Front Accessible USB 3.1 Gen 1 Header	
USB9/10, USB11/12	Back Panel USB 3.1 Gen 2 Ports	
USB13/14	Front Accessible USB 3.1 Gen 2 Header	
VGA*	BMC VGA Port (-F SKU only)	

LED Indicators		
LED	Description	Status
BMC_HB_LED1*	BMC Heartbeat LED	Blinking Green: BMC normal
LED1	Power LED	Solid Green: Power On
UID LED*	UID LED	Solid Blue: Unit Identified

* X11SCZ-F only

CPU Support

The X11SCZ-F motherboard supports an Intel® Xeon E-2100, E-2200, or 8th/9th Generation Core™ i9/Core™ i7/Core™ i5/Core™ i3/Pentium®/Celeron® series processor in an LGA1151 socket.

The X11SCZ-Q motherboard supports an Intel® 8th/9th Generation Core™ i9/Core™ i7/Core™ i5/Core™ i3/Pentium®/Celeron® series processor in an LGA1151 socket.

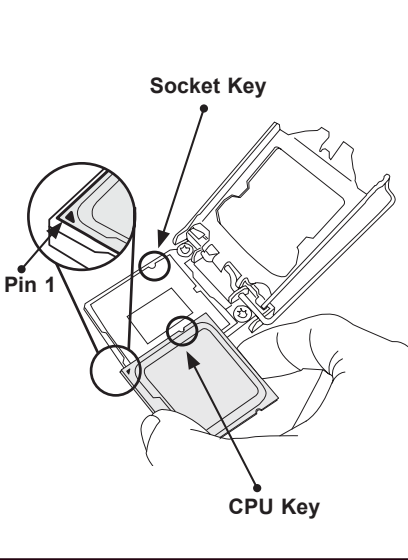
Memory Support

The X11SCZ-F motherboard supports up to 128GB of DDR4 ECC/Non-ECC UDIMM with speeds of up to 2666MHz in four slots.

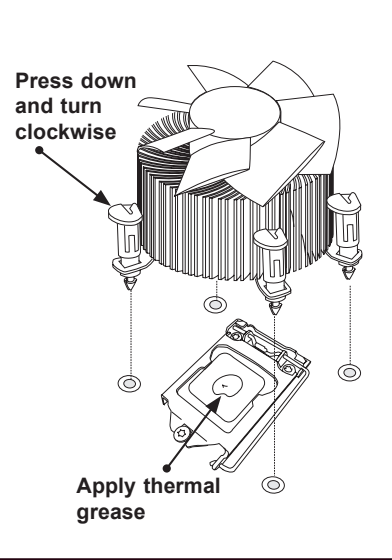
The X11SCZ-Q motherboard supports up to 128GB of DDR4 Non-ECC UDIMM with speeds of up to 2666MHz in four slots.

Insert the desired number of DIMMs into the memory slots, starting with DIMMA2, DIMMB2, then DIMMA1, DIMMB1. Populating these DIMM slots with a pair of memory modules of the same type and size will result in interleaved memory, which will improve memory performance.

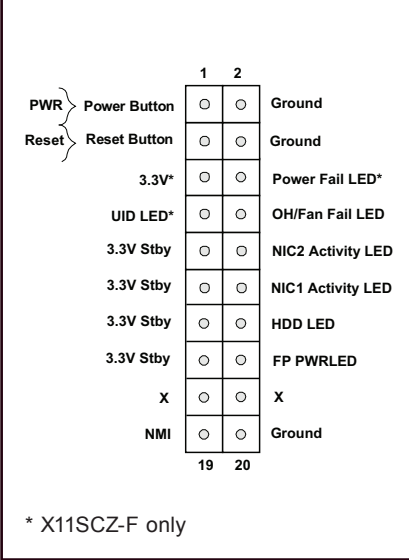
CPU Installation



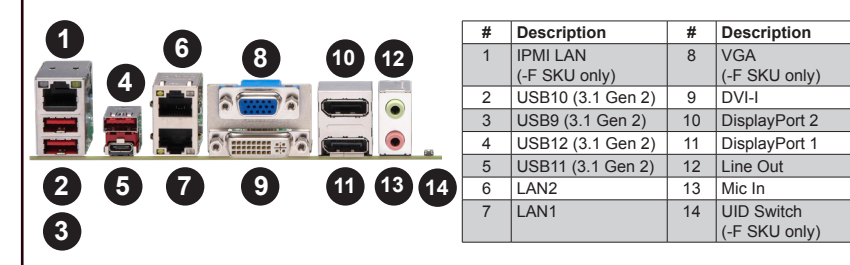
Heatsink Installation



Front Control Panel



Back Panel I/O Connectors



Note: Graphics shown in this quick reference guide are for illustration only. Your components may or may not look exactly the same as drawings shown in this guide.

Note: Refer to Chapter 1 of the User Manual for detailed information on jumpers, connectors, and LED indicators.

Note: Refer to Chapter 2 of the User Manual for detailed information on memory support and CPU/motherboard installation instructions.